

US00D506529S

(12) **United States Design Patent**  
**Roethel**

(10) **Patent No.:** **US D506,529 S**  
(45) **Date of Patent:** **\*\* Jun. 21, 2005**

(54) **FAUCET HANDLE**

(75) Inventor: **Henry G. Roethel**, Ravenna, OH (US)

(73) Assignee: **The Meyer Company**, Cleveland, OH (US)

(\*\*) Term: **14 Years**

(21) Appl. No.: **29/176,161**

(22) Filed: **Feb. 19, 2003**

(51) **LOC (8) Cl.** ..... **23-01**

(52) **U.S. Cl.** ..... **D23/252**

(58) **Field of Search** ..... D23/238-243,  
D23/245, 250-257; D8/300-322, 350-353,  
DIG. 3; 16/110.1; 4/675-678; 137/801

(56) **References Cited**

**U.S. PATENT DOCUMENTS**

D127,736 S	*	6/1941	Dreyfuss	.....	D23/253
D339,850 S	*	9/1993	Jans	.....	D23/252
D339,851 S	*	9/1993	Jans	.....	D23/252
D422,450 S	*	4/2000	Conti	.....	16/110.1
D450,373 S	*	11/2001	Gottwald	.....	D23/252

**OTHER PUBLICATIONS**

“Tomlinson: Catalog of Products”, Cover, Table of Contents and pp. 2, 3, 4 and 8, 2001.

\* cited by examiner

*Primary Examiner*—Louis S. Zarfes

*Assistant Examiner*—Gregory Andoll

(74) *Attorney, Agent, or Firm*—Fay, Sharpe, Fagan, Minnich & McKee, LLP

(57) **CLAIM**

The ornamental design for a faucet handle, as shown and described.

**DESCRIPTION**

FIG. 1 is an isometric view of a faucet handle showing my design;

FIG. 2 is a top plan view of my faucet handle design;

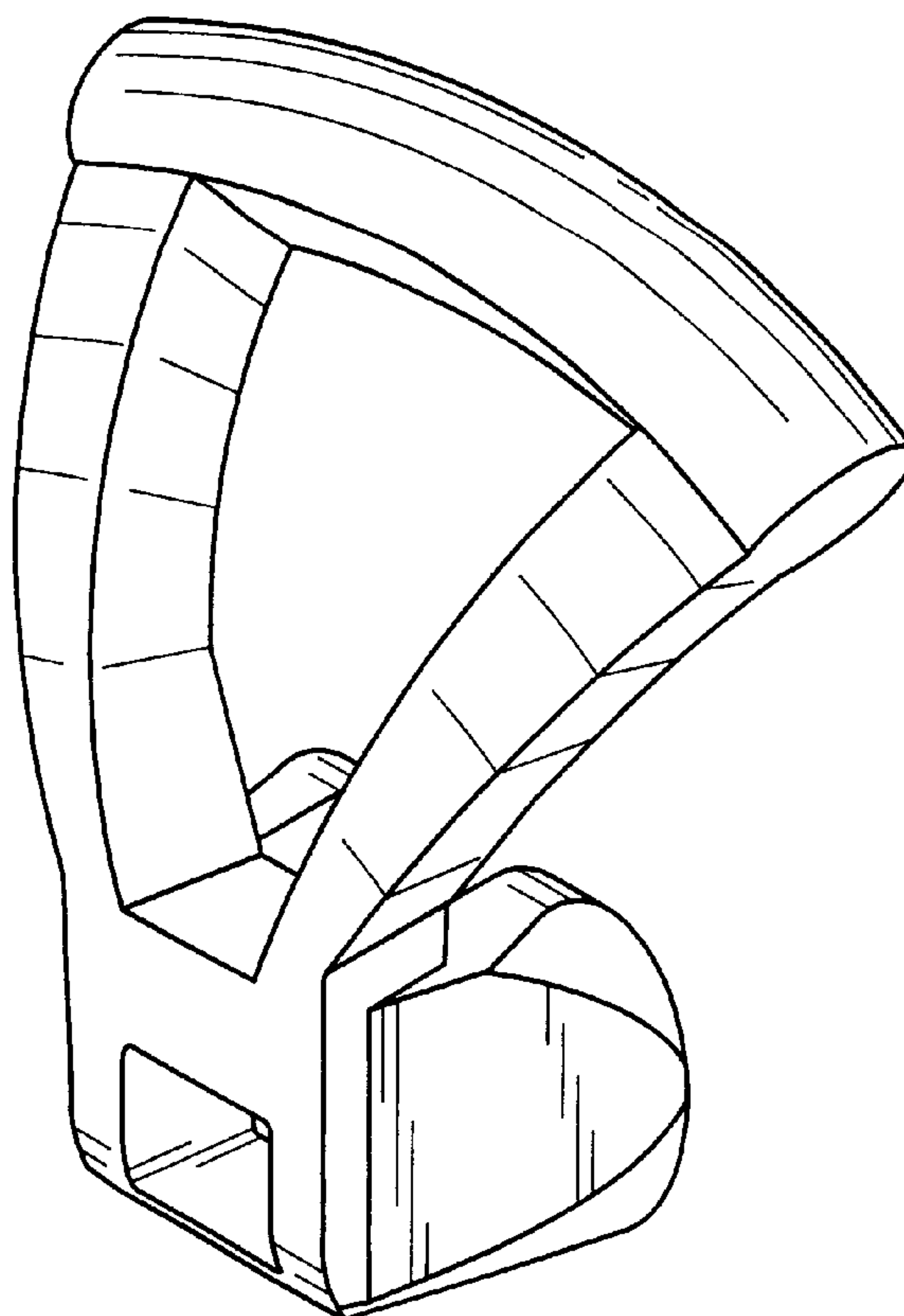
FIG. 3 is a bottom plan view of my faucet handle design;

FIG. 4 is a front elevational view of my faucet handle design;

FIG. 5 is a left side elevational view of my faucet handle design (the right side elevational view is a mirror image of the left side elevational view); and,

FIG. 6 is a rear elevational view of my faucet handle design.

**1 Claim, 2 Drawing Sheets**



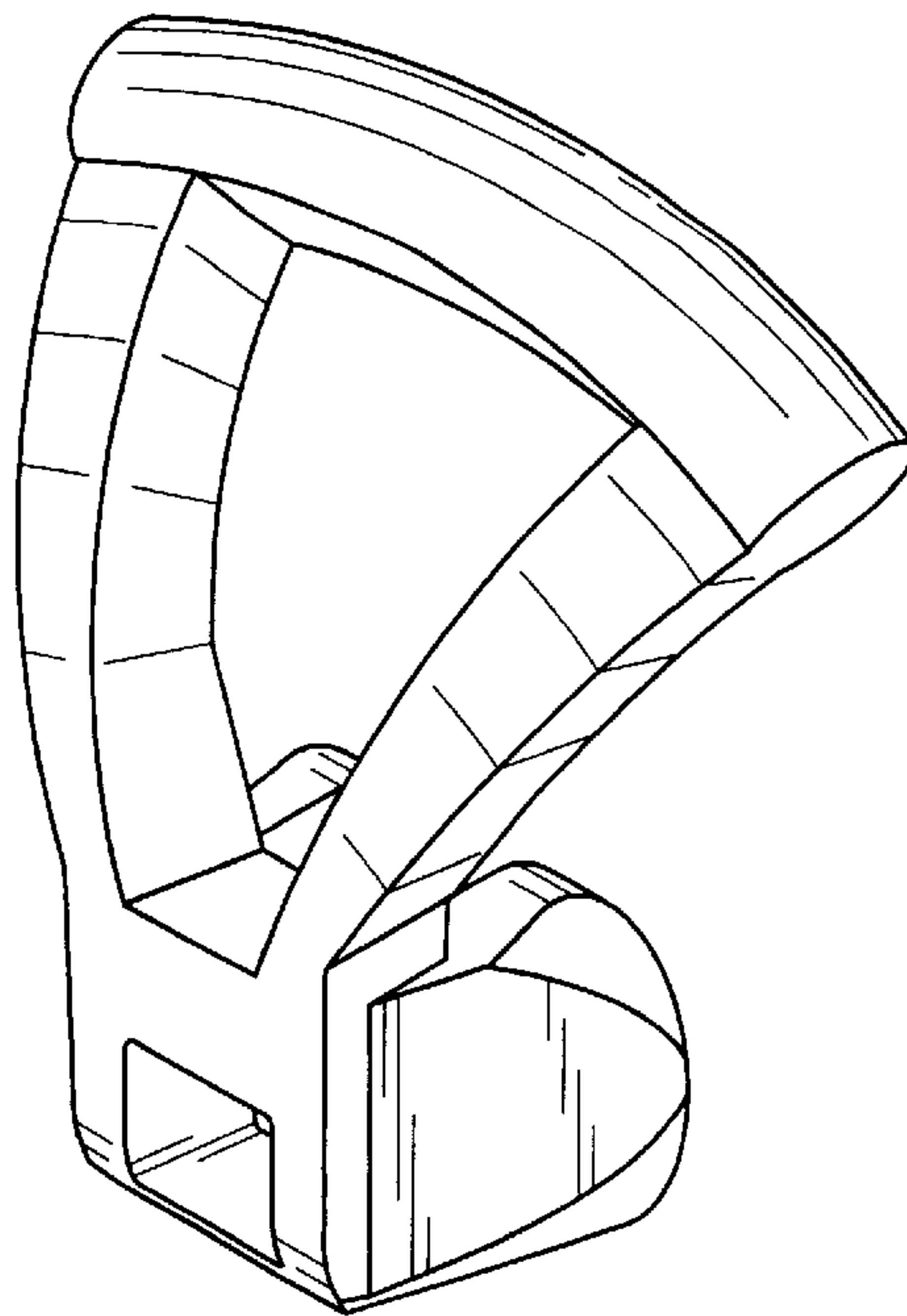


FIG. 1

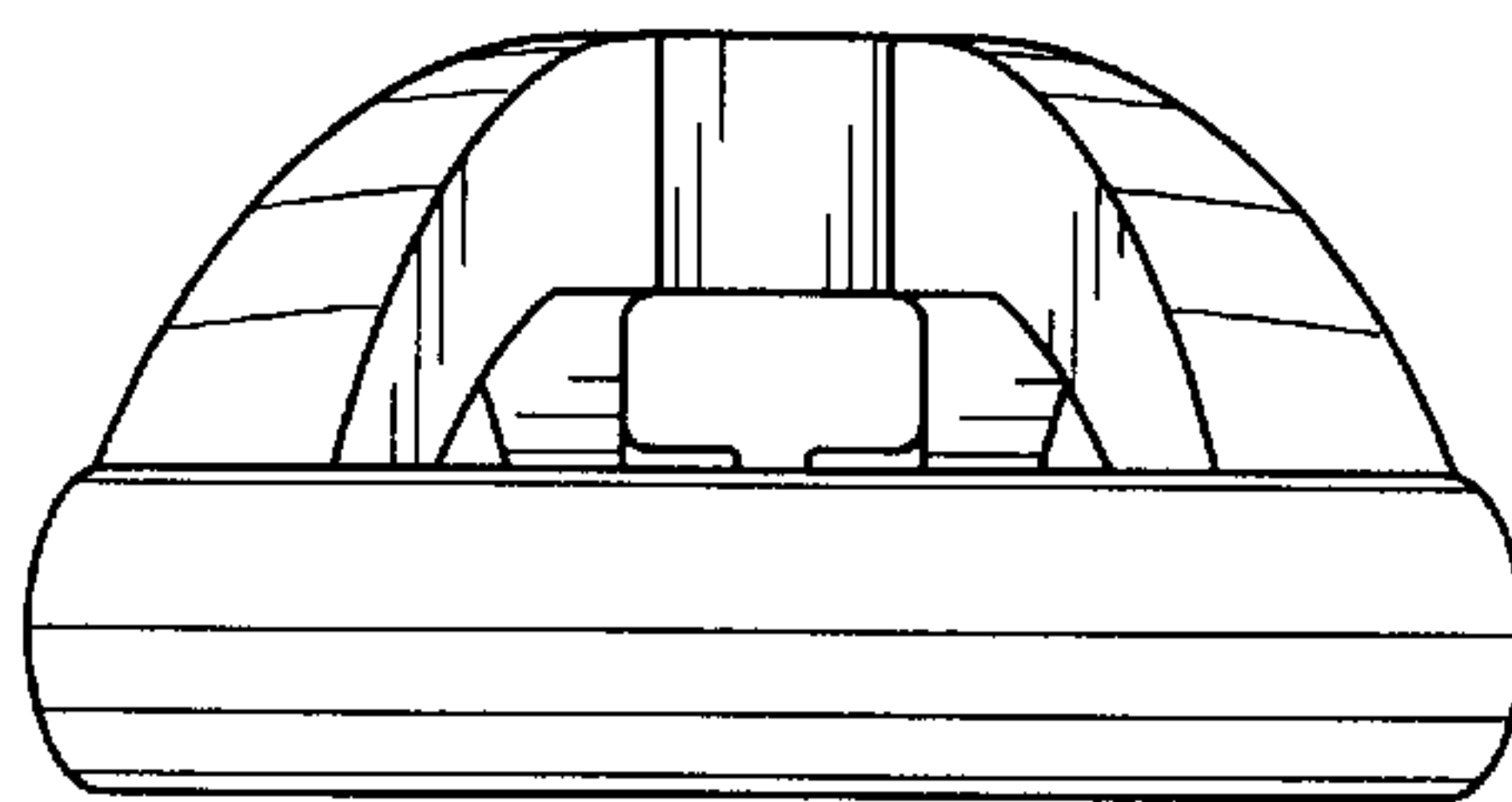


FIG. 2

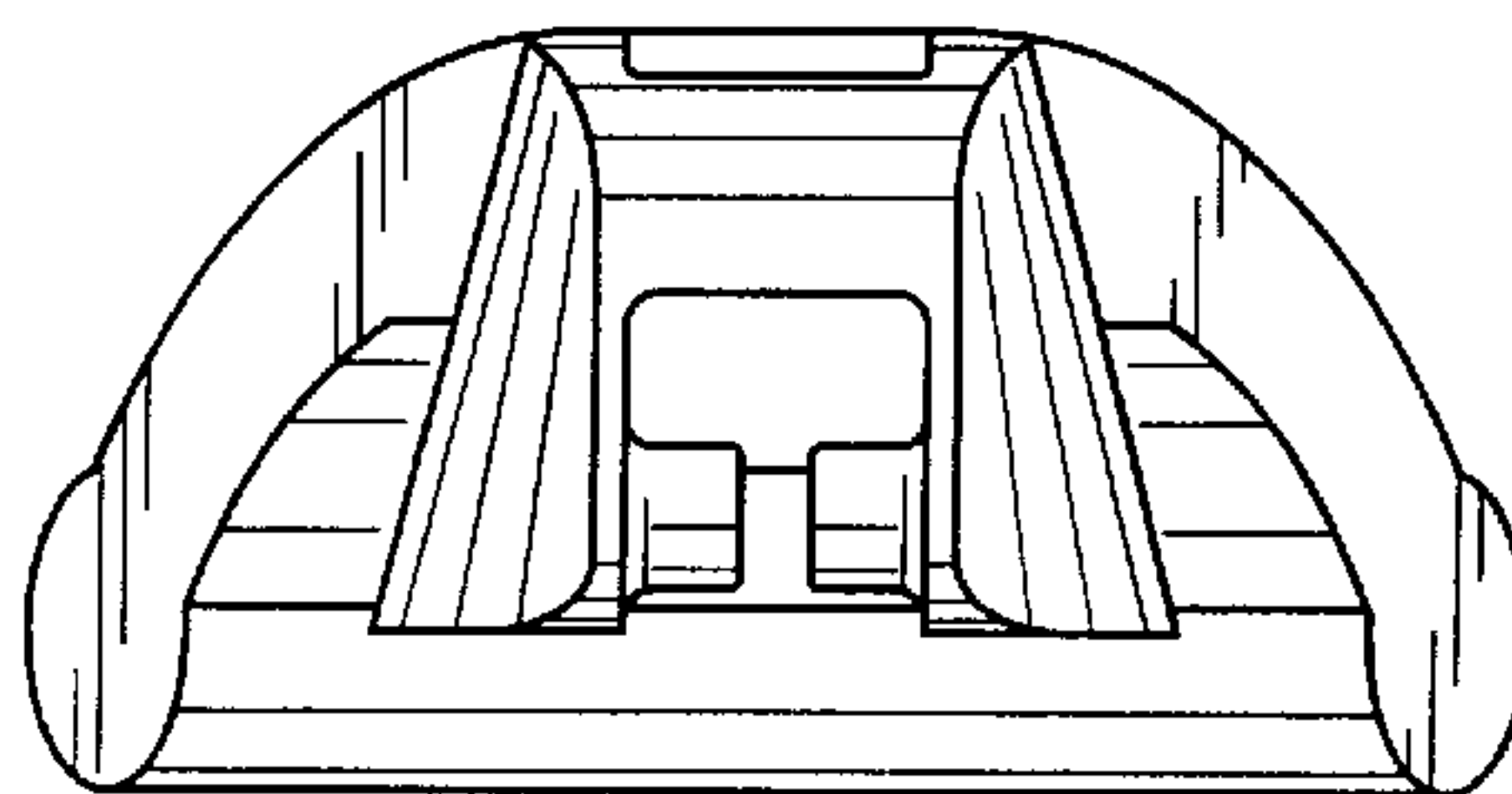


FIG. 3

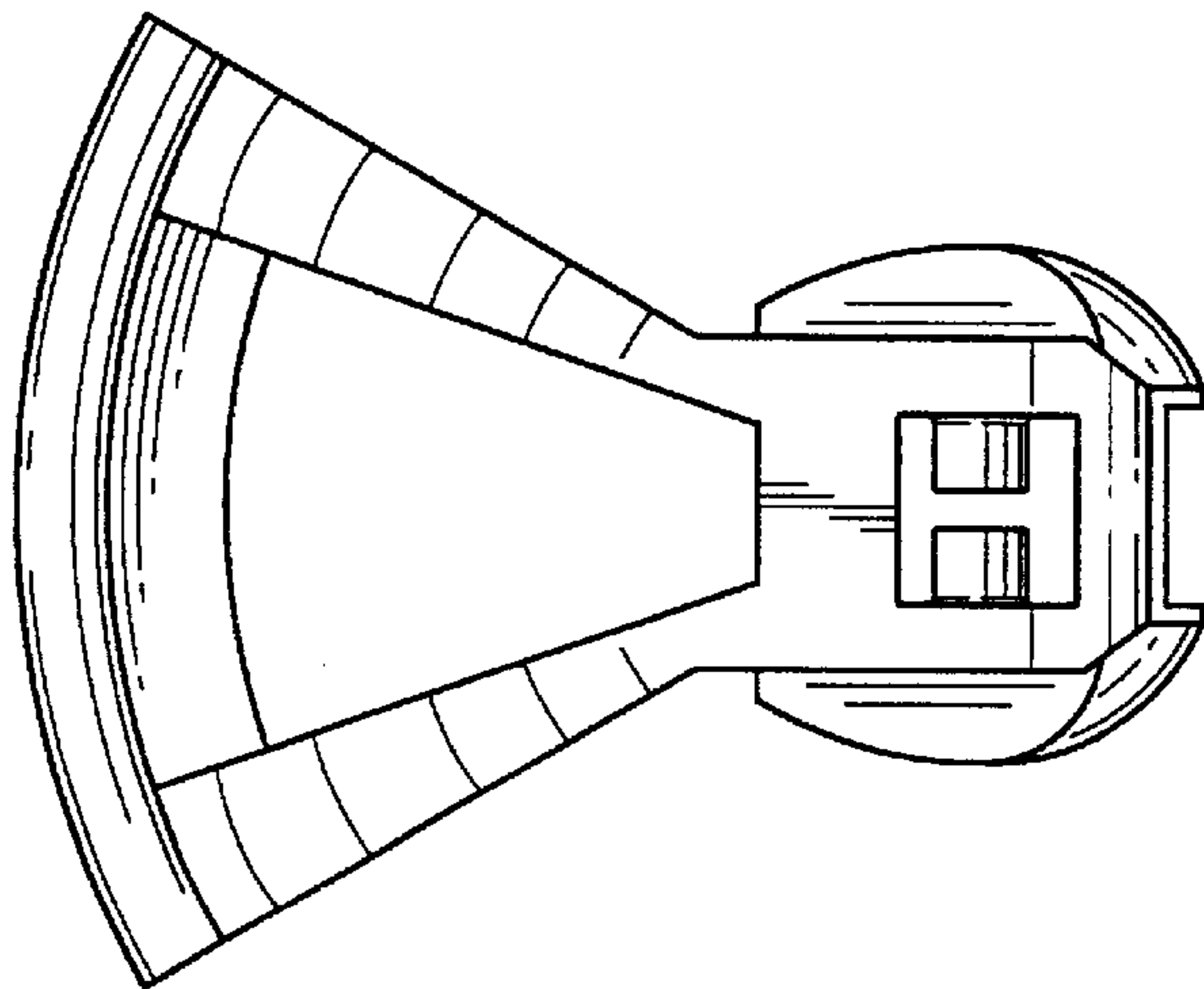


FIG. 4

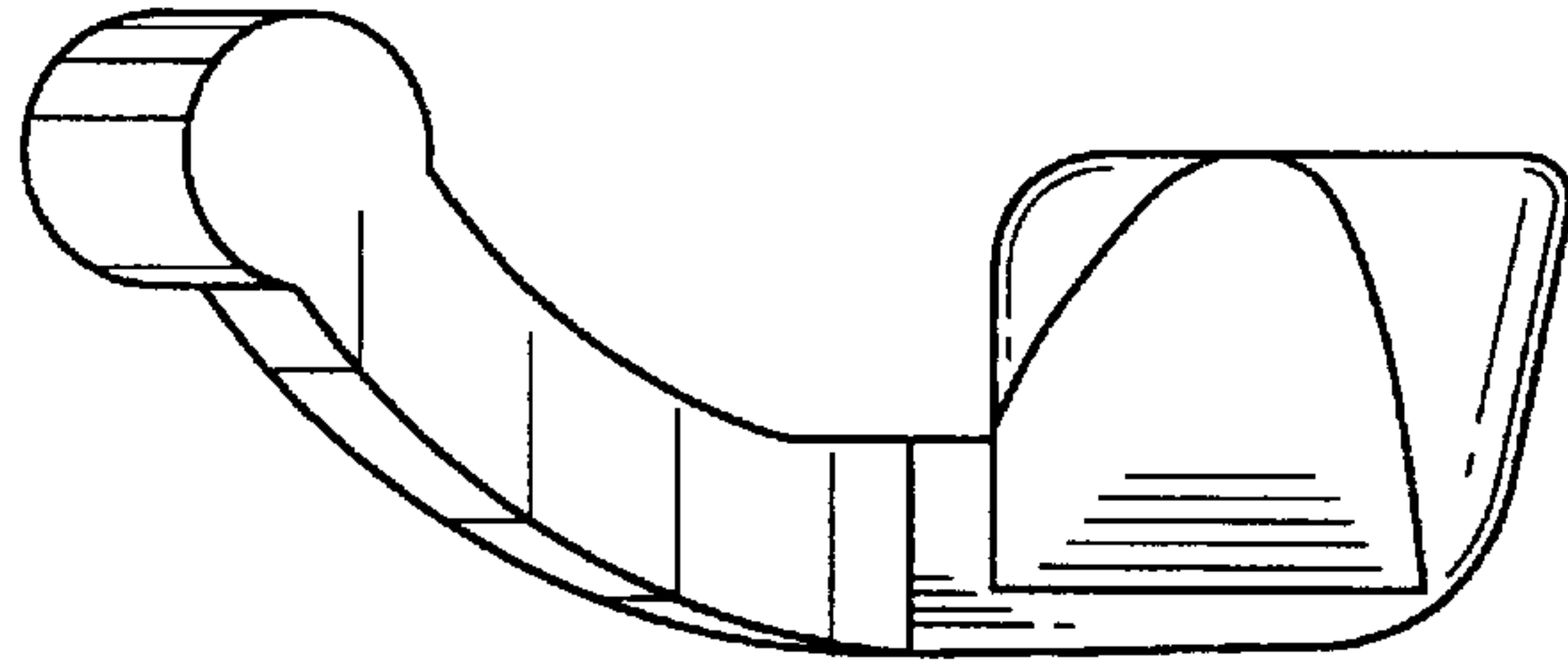


FIG. 5

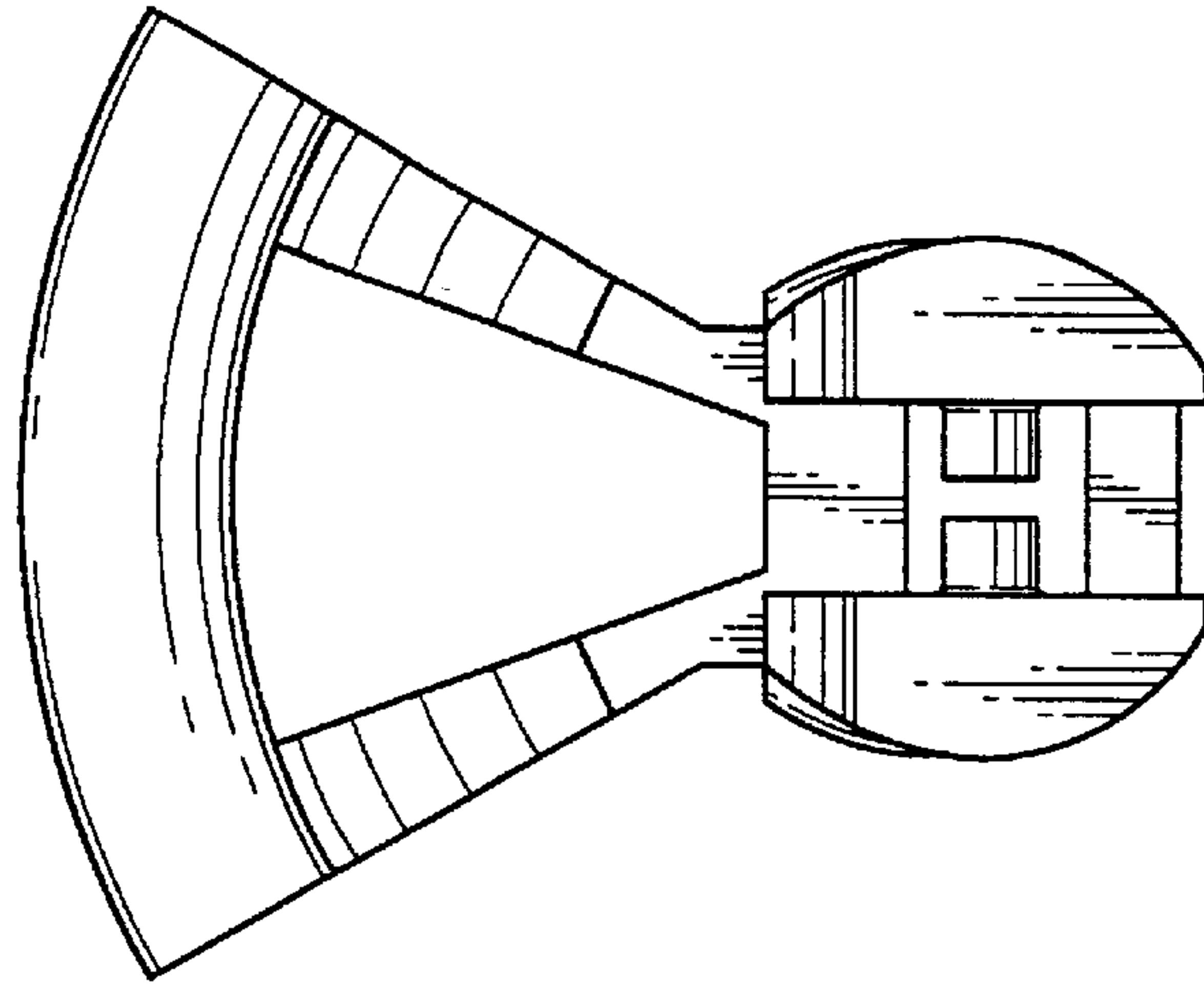


FIG. 6