

US00D506528S

(12) **United States Design Patent**
Wu

(10) **Patent No.:** **US D506,528 S**

(45) **Date of Patent:** **** Jun. 21, 2005**

(54) **SHOWER HEAD**

D488,536 S * 4/2004 Yean D23/226

(76) **Inventor:** **James Wu**, No. 1, Alley 16, Lane 40,
Jinn Te Rd., Taichung (TW)

* cited by examiner

Primary Examiner—Robin V. Taylor

(**) **Term:** **14 Years**

(57) **CLAIM**

(21) **Appl. No.:** **29/202,761**

The ornamental design for a shower head, as shown and described.

(22) **Filed:** **Apr. 6, 2004**

(51) **LOC (8) Cl.** **23-01**

(52) **U.S. Cl.** **D23/226**

(58) **Field of Search** D23/213, 223,
D23/226; 239/525, 526, 527

DESCRIPTION

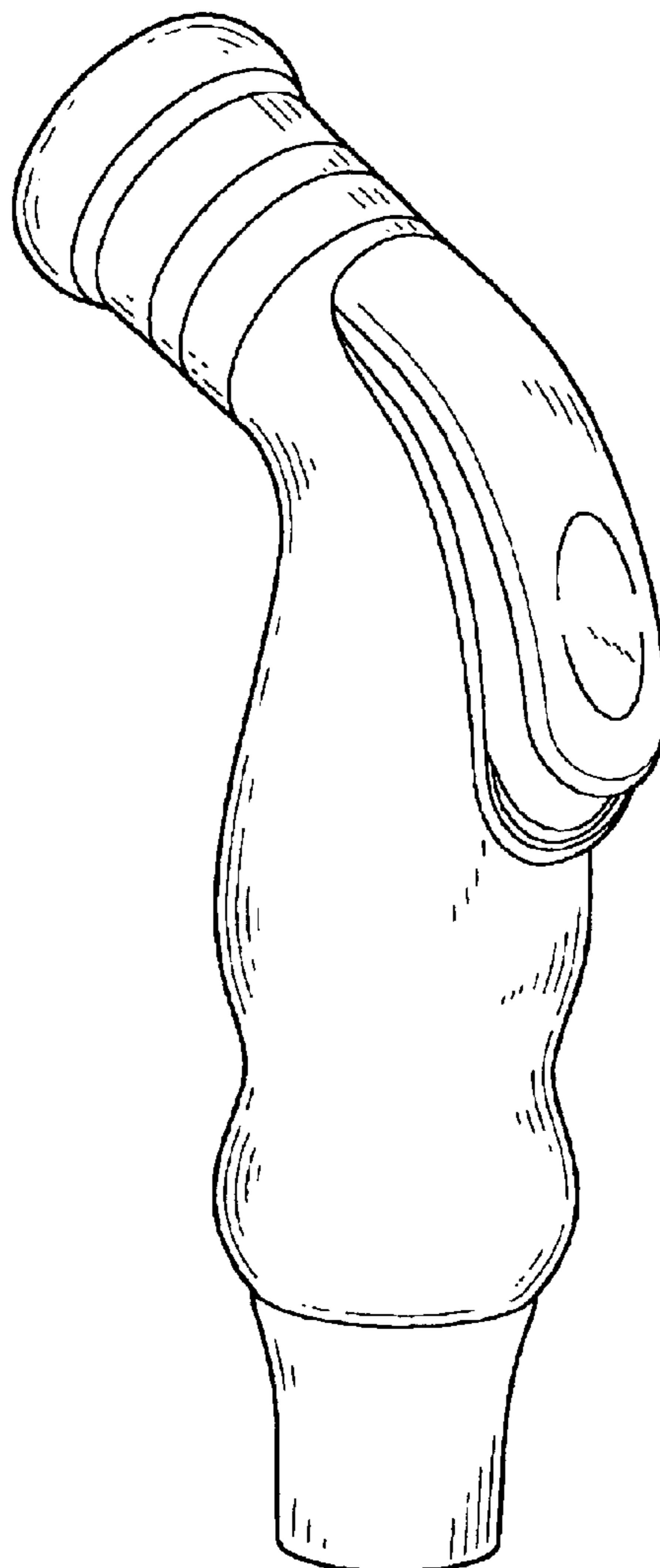
FIG. 1 is a front-right-top perspective view of a shower head, showing my new design;
FIG. 2 is a front elevational view thereof;
FIG. 3 is a rear elevational view thereof;
FIG. 4 is a left side elevational view thereof;
FIG. 5 is a right side elevational view thereof;
FIG. 6 is a top plan view thereof; and,
FIG. 7 is a bottom plan view thereof.

(56) **References Cited**

U.S. PATENT DOCUMENTS

- D434,830 S * 12/2000 Liou D23/226
- D465,827 S * 11/2002 Yean D23/226
- D468,805 S * 1/2003 Czerwinski, Jr. D23/226
- D474,258 S * 5/2003 Chen D23/226

1 Claim, 7 Drawing Sheets



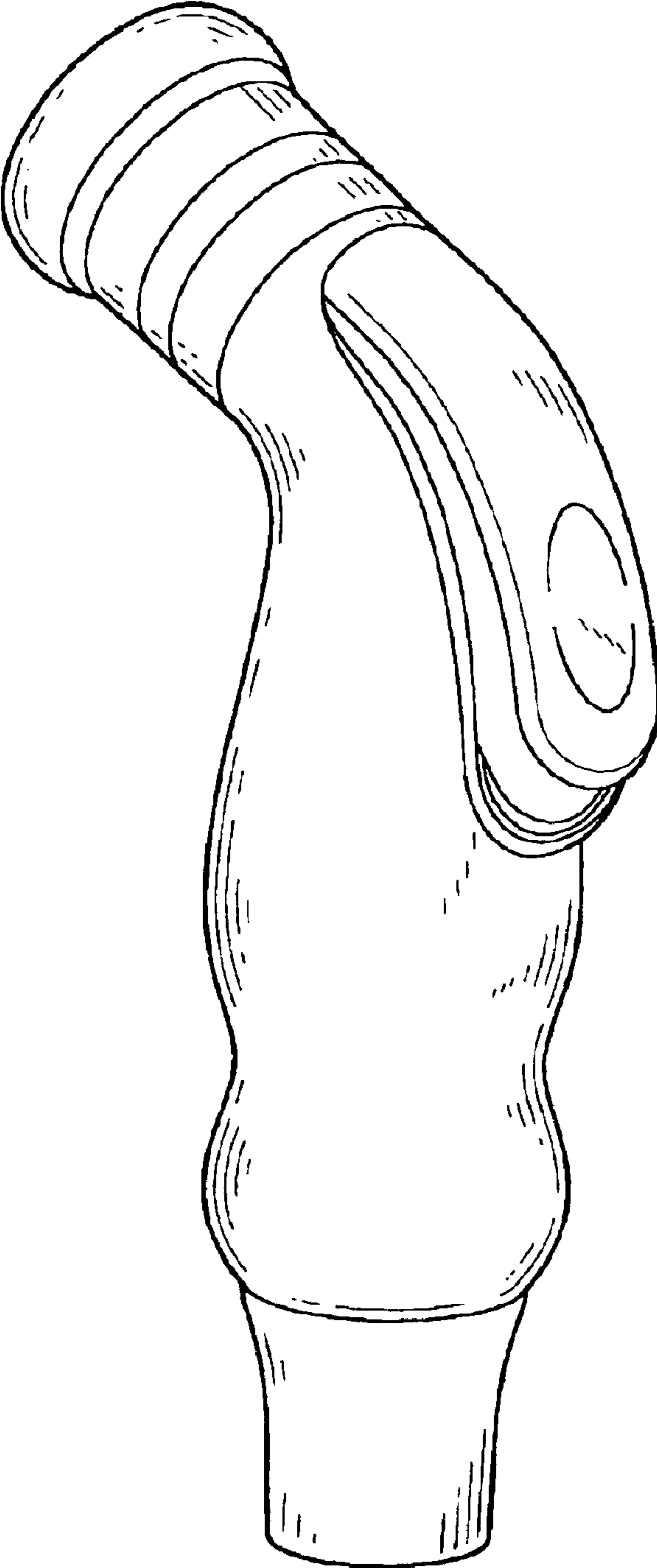


FIG.1

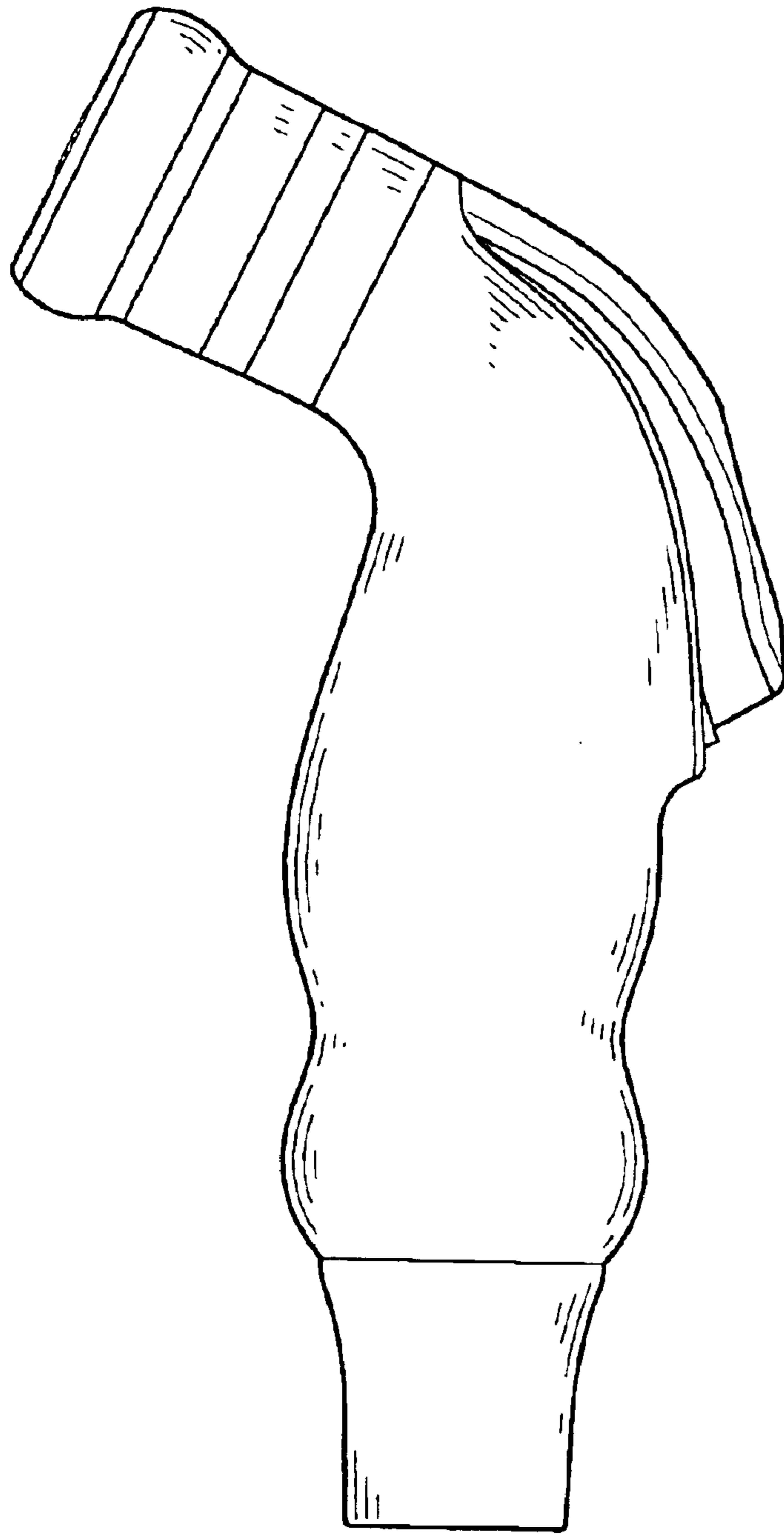


FIG.2

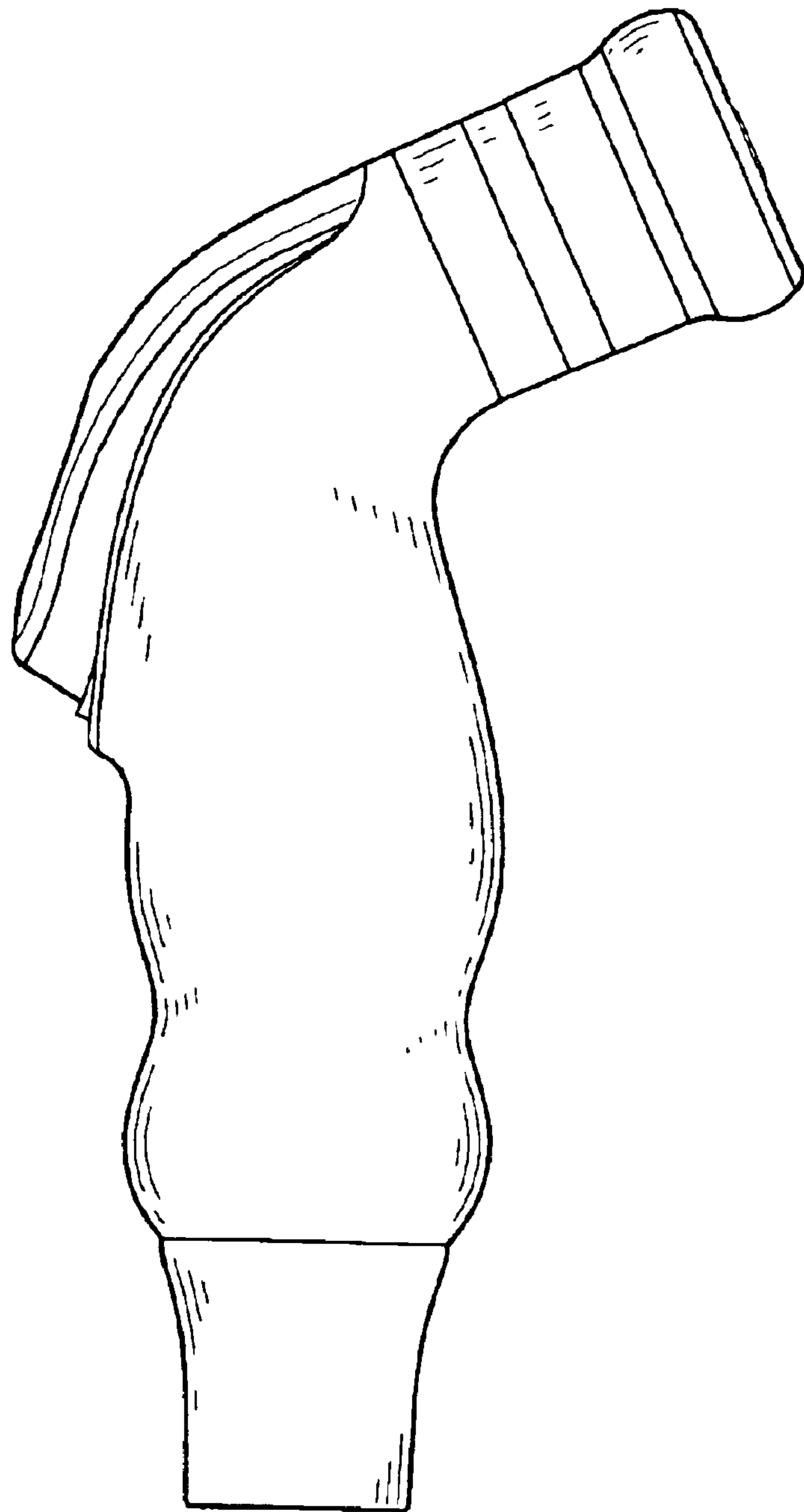


FIG. 3

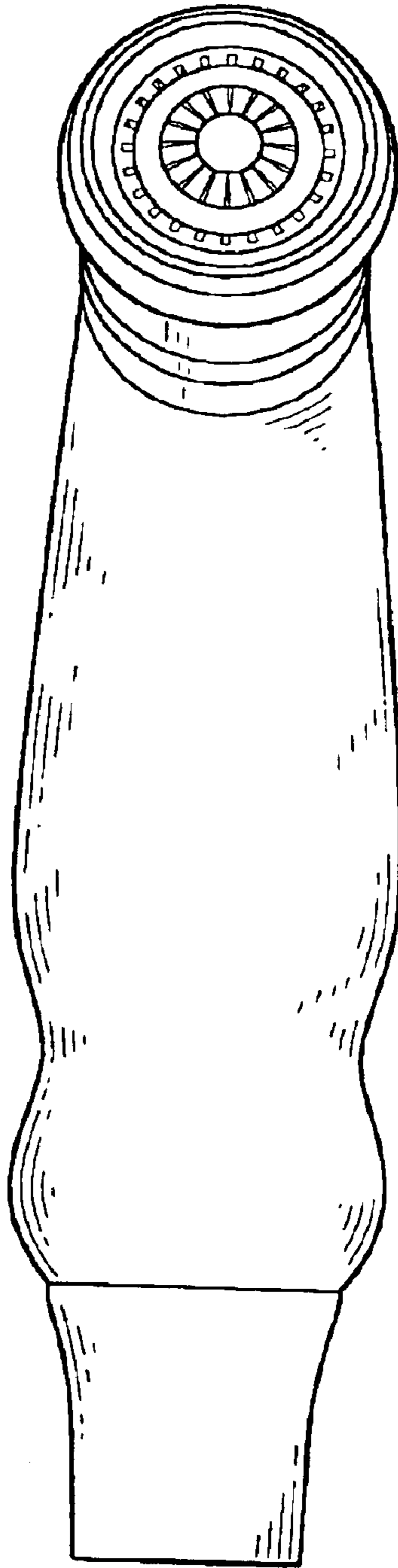


FIG.4

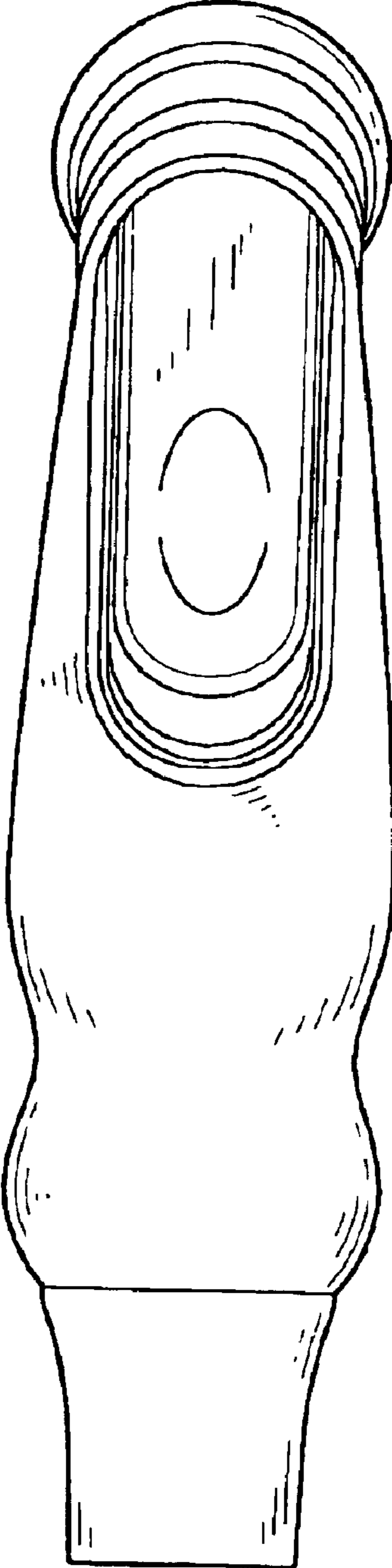


FIG.5

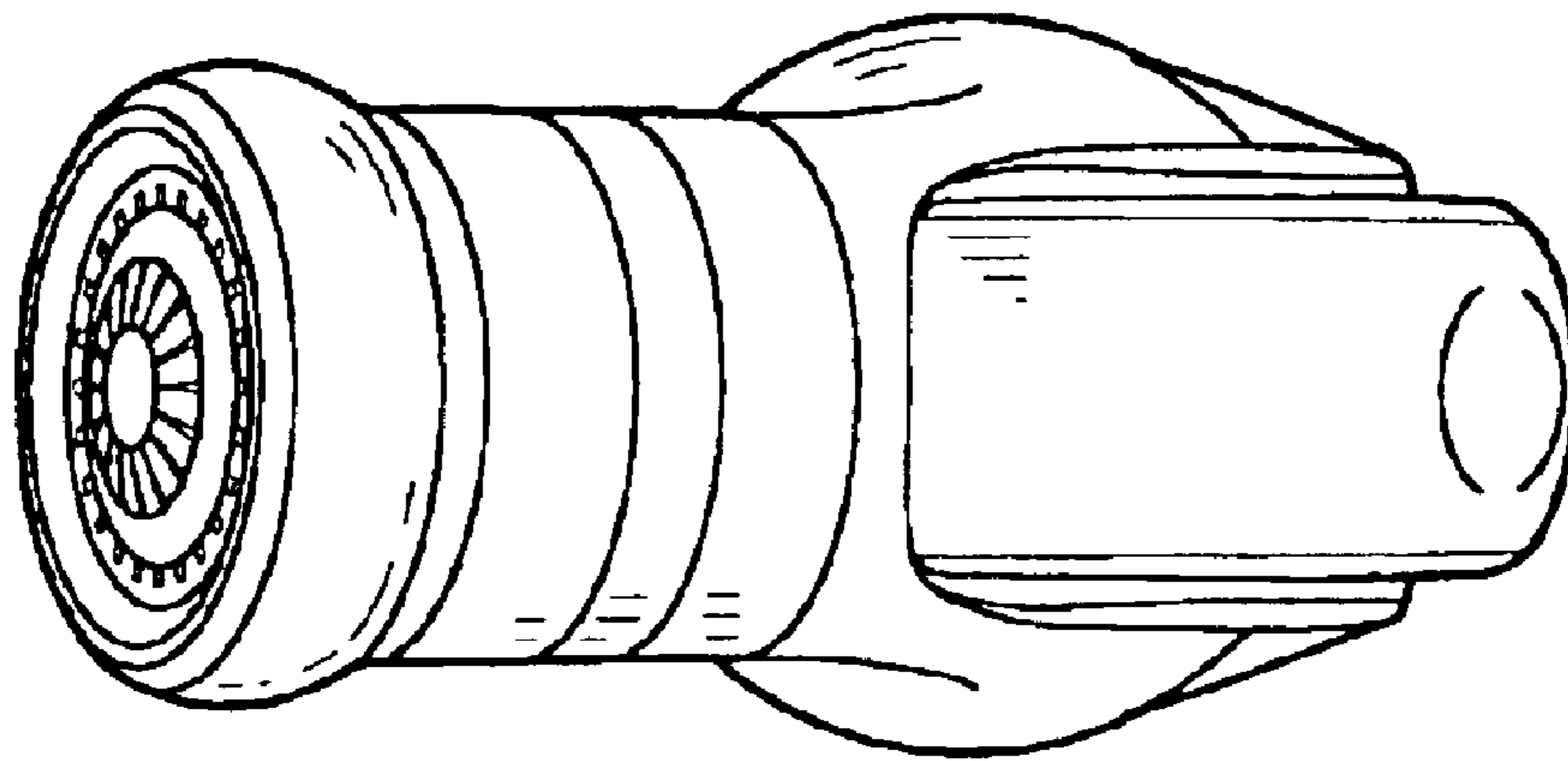


FIG.6

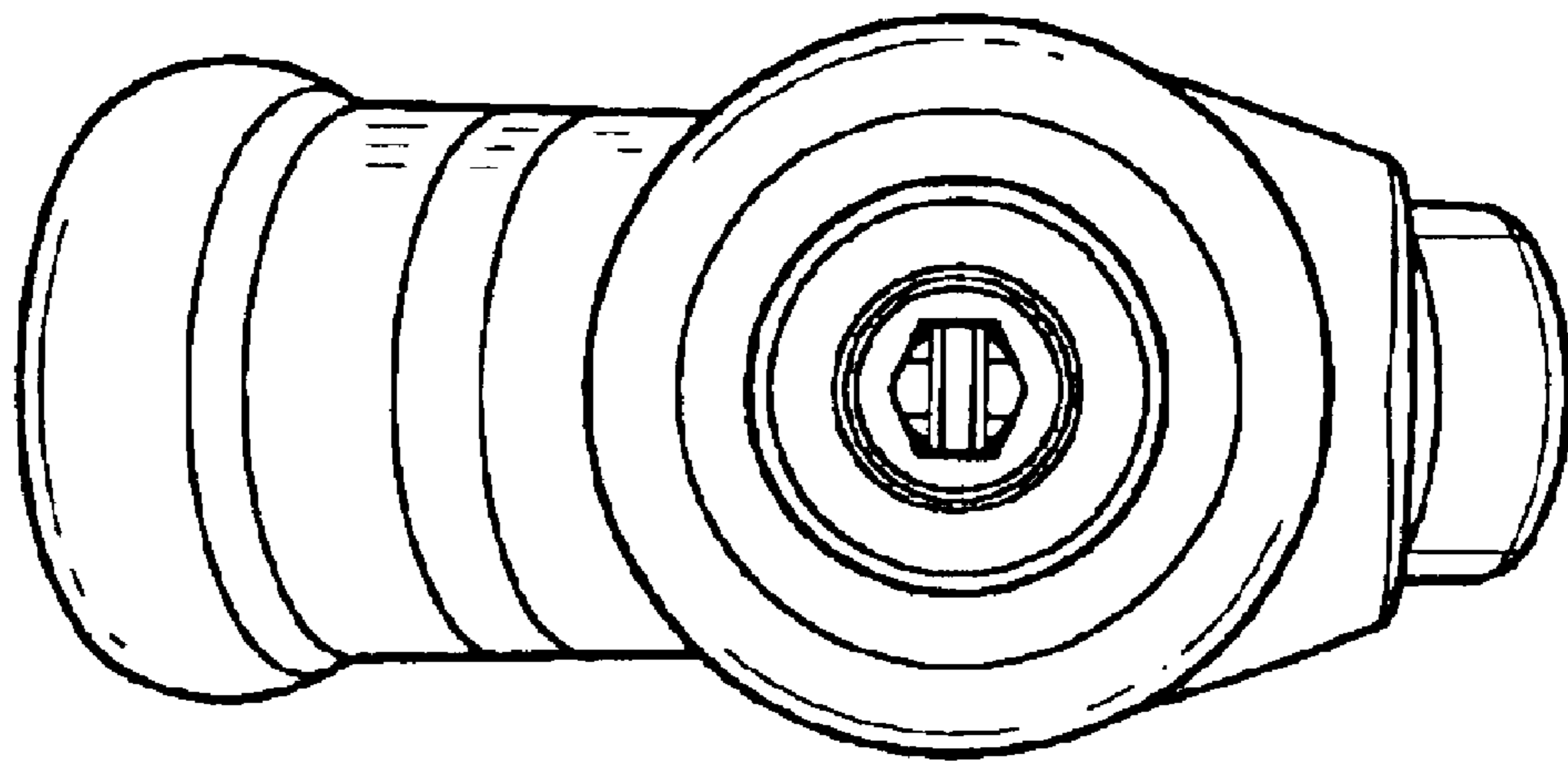


FIG.7