

US00D506524S

(12) **United States Design Patent**
Kitazaki

(10) **Patent No.:** **US D506,524 S**
(45) **Date of Patent:** **** Jun. 21, 2005**

(54) **FISHING REEL**

(75) Inventor: **Tomokazu Kitazaki**, Osaka (JP)

(73) Assignee: **Shimano Inc.**, Osaka (JP)

(**) Term: **14 Years**

(21) Appl. No.: **29/187,695**

(22) Filed: **Aug. 6, 2003**

(30) **Foreign Application Priority Data**

Feb. 6, 2003 (JP) 2003-002596

(51) **LOC (8) Cl.** **22-05**

(52) **U.S. Cl.** **D22/141**

(58) **Field of Search** D22/137-141;
242/310-317, 223-224, 234, 370; 43/19-22

(56) **References Cited**

U.S. PATENT DOCUMENTS

3,092,352 A	6/1963	Ransom	242/232
3,107,876 A	10/1963	Ament	242/333
D423,635 S	* 4/2000	Robbins	D22/141
D424,657 S	* 5/2000	Kang et al.	D22/141
D443,019 S	* 5/2001	Kang et al.	D22/141

* cited by examiner

Primary Examiner—Catherine R. Oliver

(74) *Attorney, Agent, or Firm*—Shinju Global IP Counselors, LLP

(57) **CLAIM**

The ornamental design for a fishing reel, as shown and described.

DESCRIPTION

FIG. 1 is a front elevational view of a fishing reel in accordance with my new design;

FIG. 2 is a rear elevational view of the fishing reel in accordance with my new design;

FIG. 3 is a top plan view of the fishing reel in accordance with my new design;

FIG. 4 is a bottom plan view of the fishing reel in accordance with my new design;

FIG. 5 is a right side elevational view of the fishing reel in accordance with my new design;

FIG. 6 is a left side elevational view of the fishing reel in accordance with my new design;

FIG. 7 is a right-top side perspective view of the fishing reel in accordance with my new design;

FIG. 8 is a left-bottom side perspective view of the fishing reel in accordance with my new design;

FIG. 9 is a cross sectional view of the fishing reel in accordance with my new design, as viewed along the line 9—9 in FIG. 5;

FIG. 10 is a cross sectional view of the fishing reel in accordance with my new design, as viewed along the line 10—10 in FIG. 9;

FIG. 11 is a cross sectional view of the fishing reel in accordance with my new design, as viewed along the line 11—11 in FIG. 9;

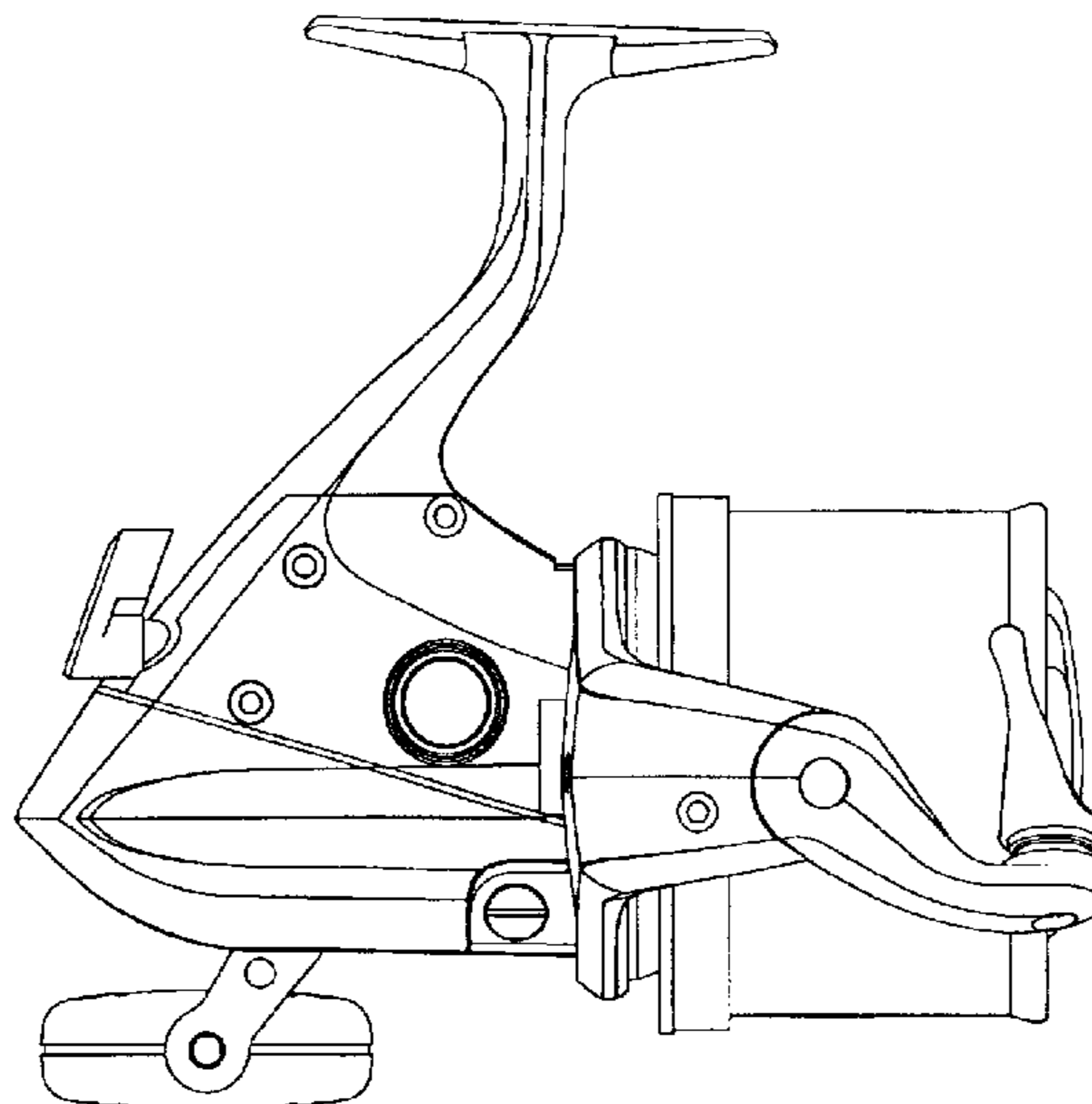
FIG. 12 is a cross sectional view of the fishing reel in accordance with my new design, as viewed along the line 12—12 in FIG. 11;

FIG. 13 is a cross sectional view of the handle of the fishing reel in accordance with my new design, as viewed along the line 13—13 in FIG. 3;

FIG. 14 is a cross sectional view of the handle of the fishing reel in accordance with my new design, as viewed along the line 14—14 in FIG. 13; and,

FIG. 15 is a cross sectional view of the leg portion of the fishing reel in accordance with my new design, as viewed along the line 15—15 in FIG. 5.

1 Claim, 15 Drawing Sheets



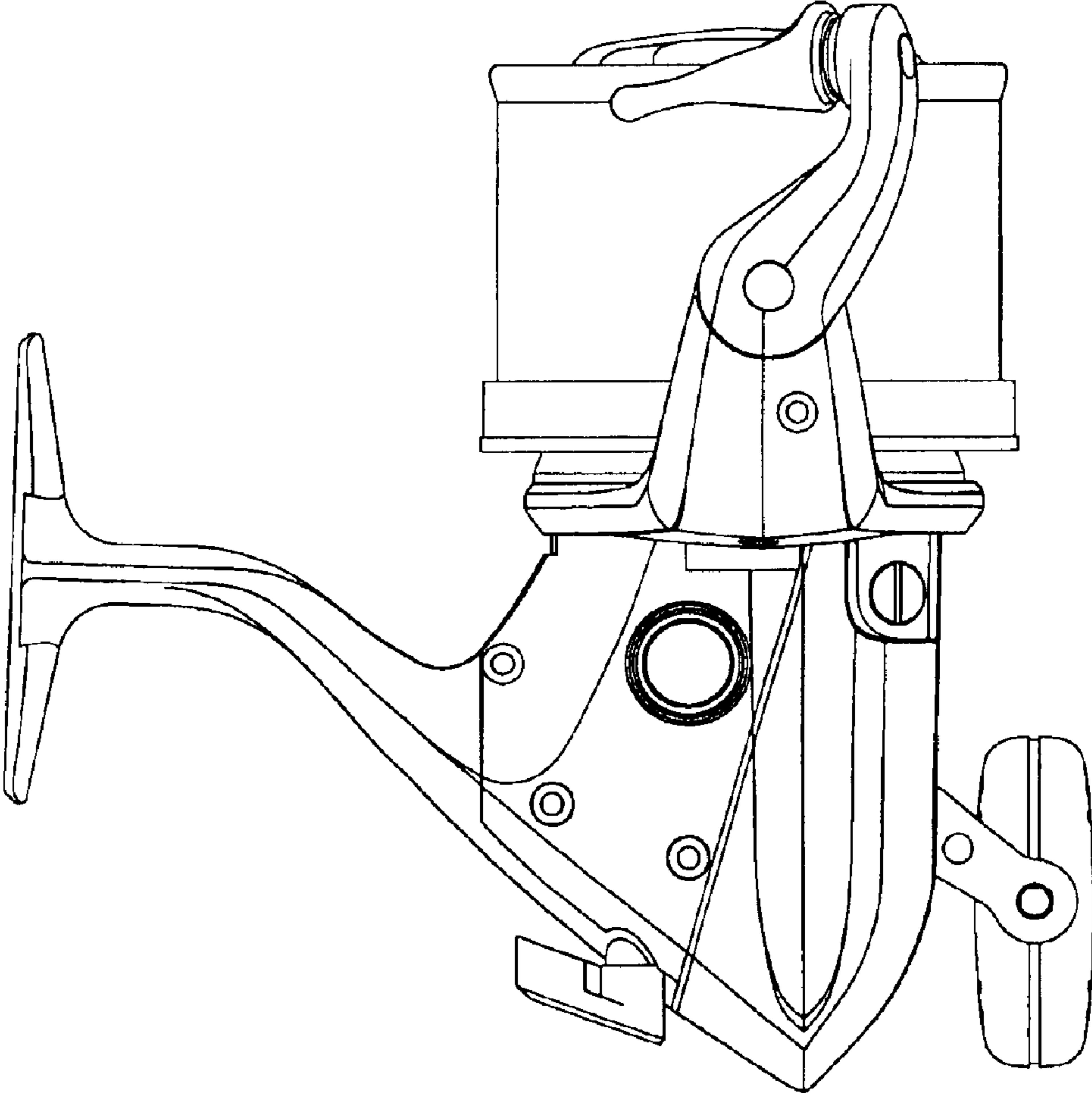


Fig. 1

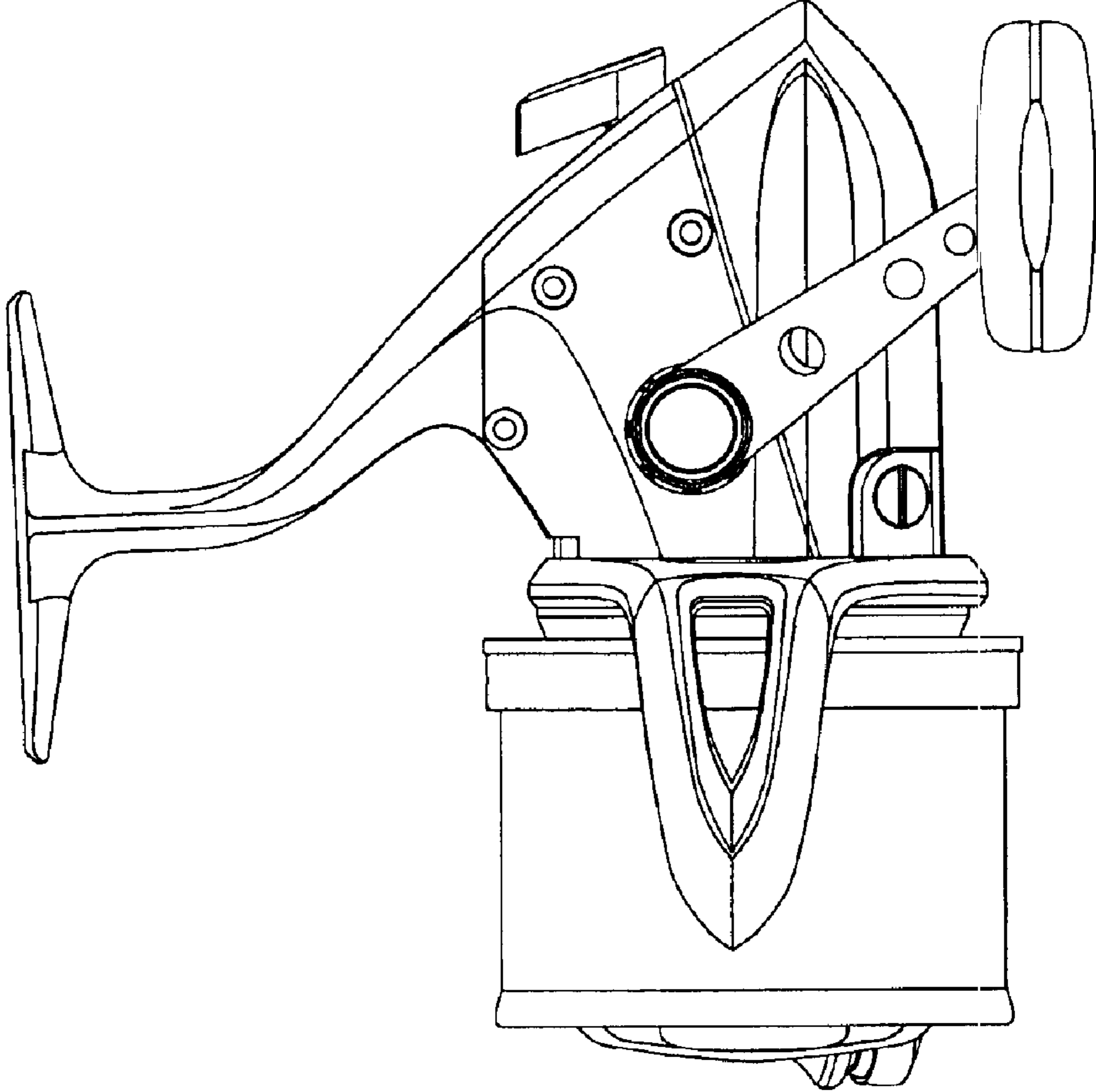
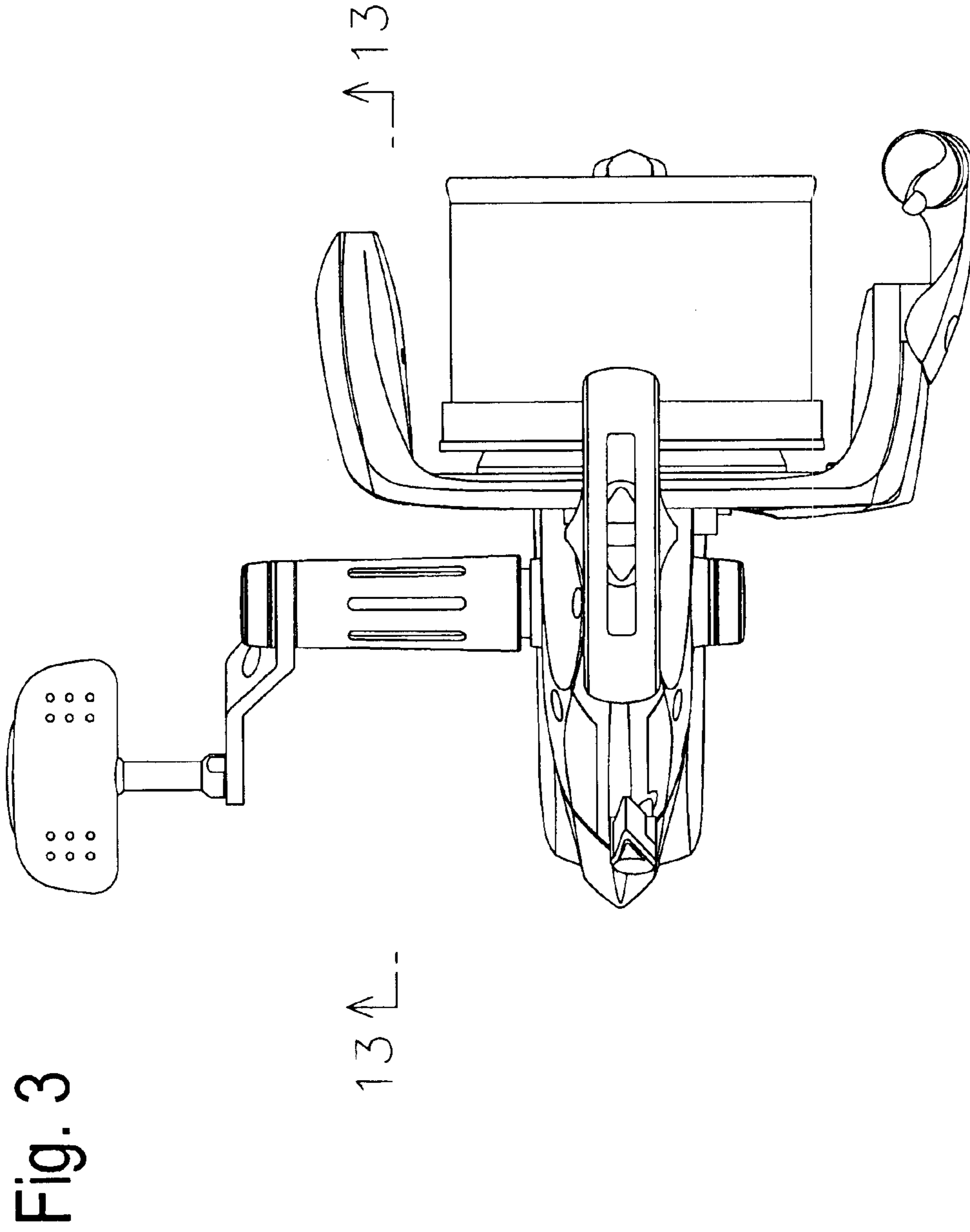


Fig. 2



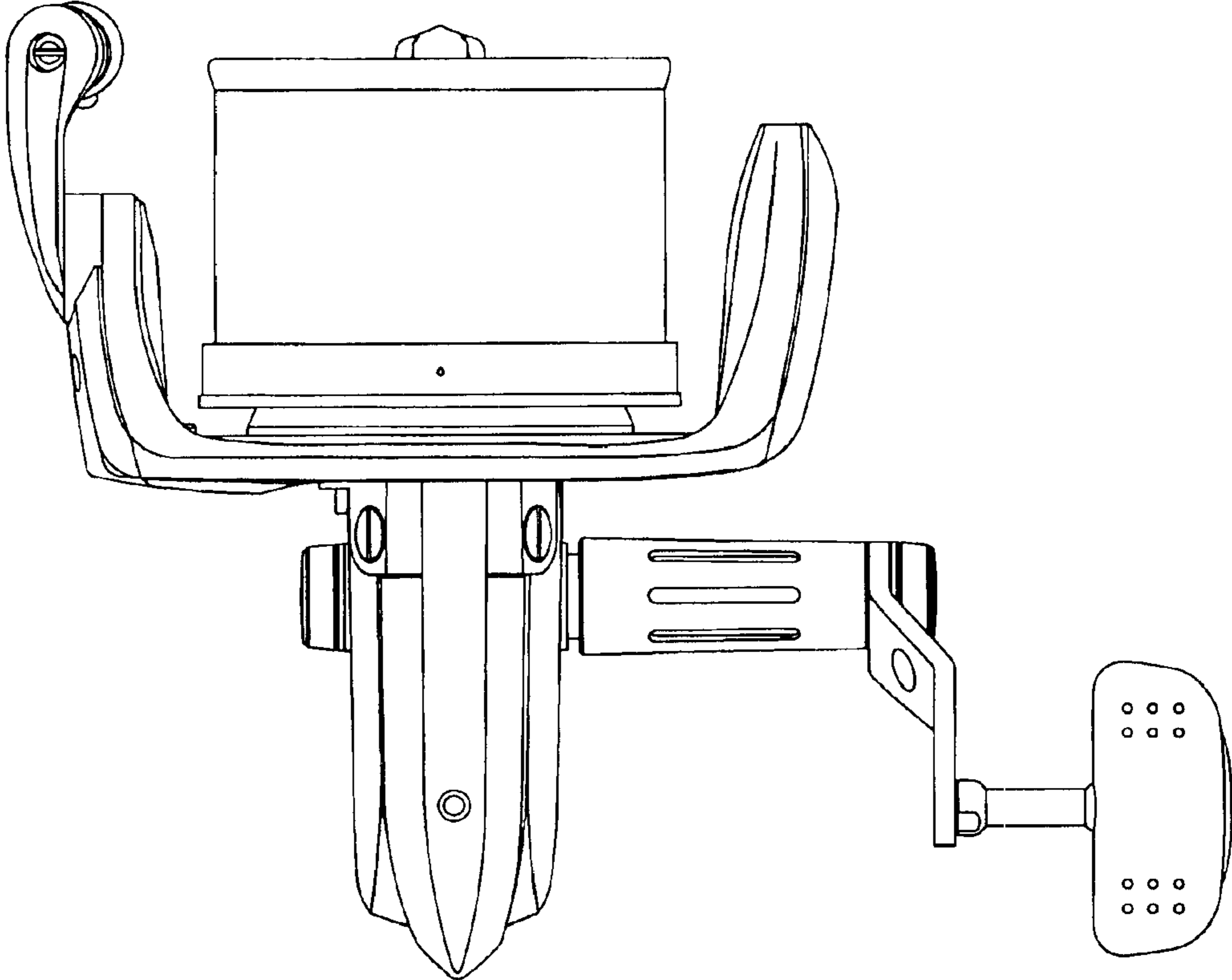


Fig. 4

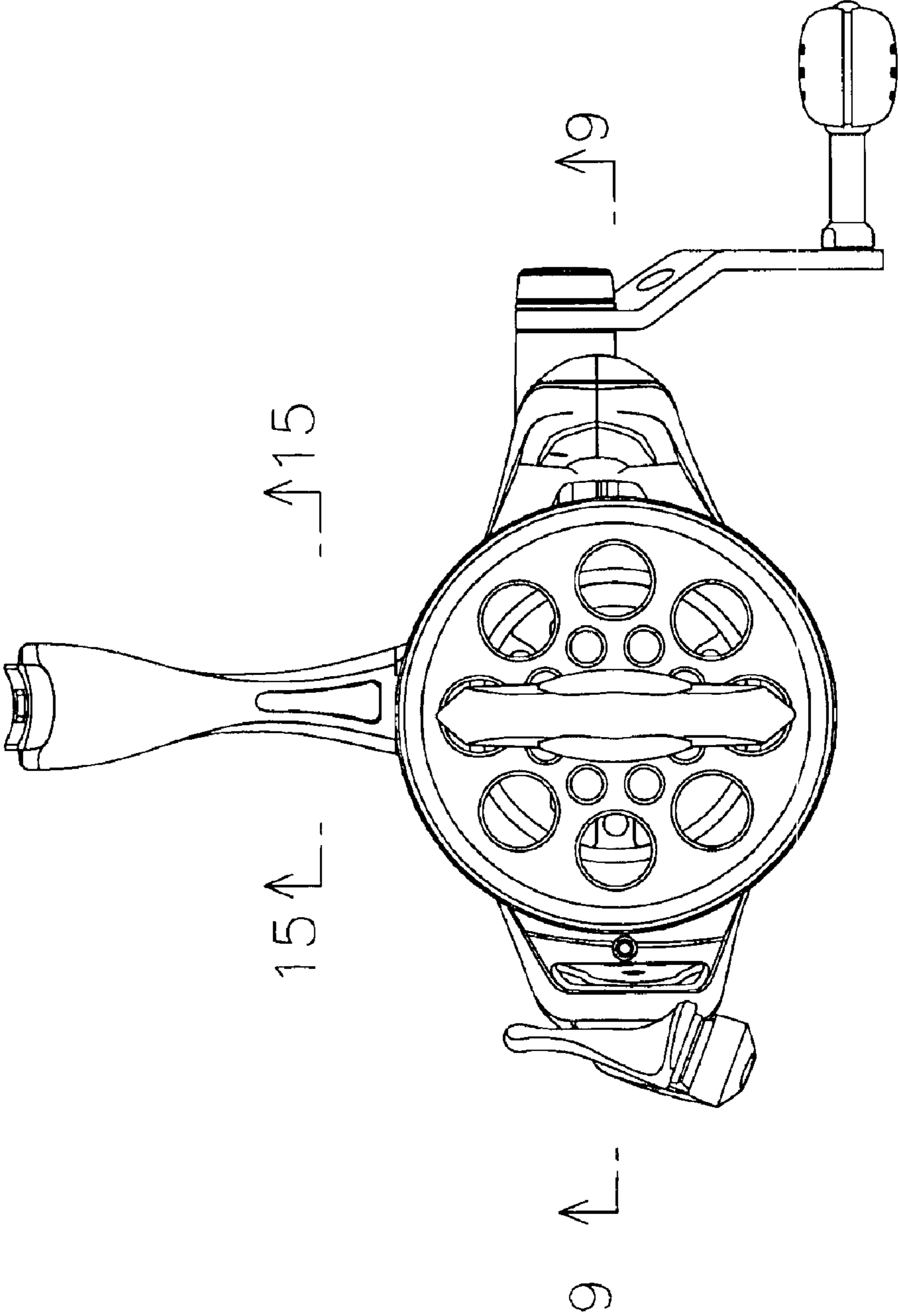


Fig. 5

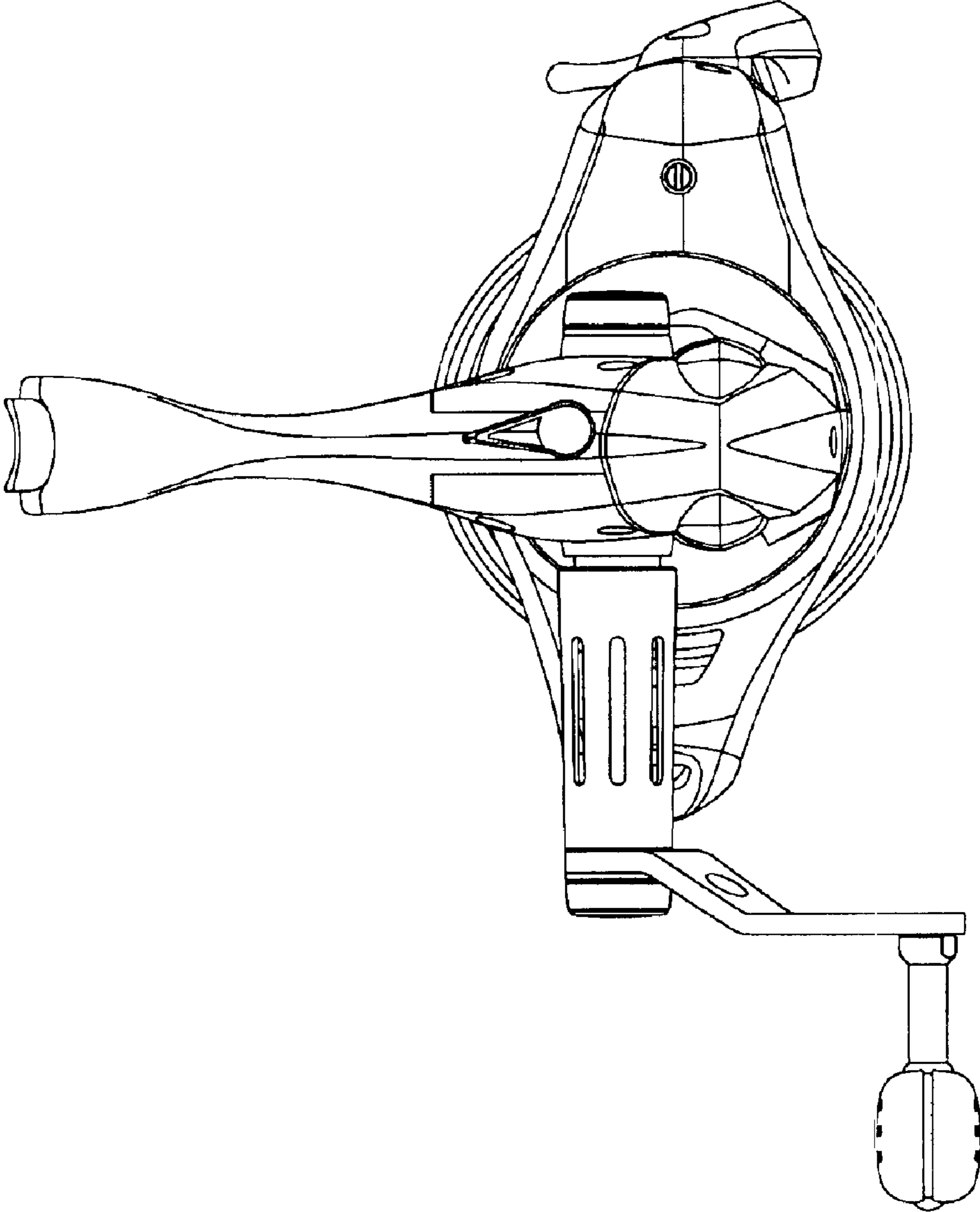


Fig. 6

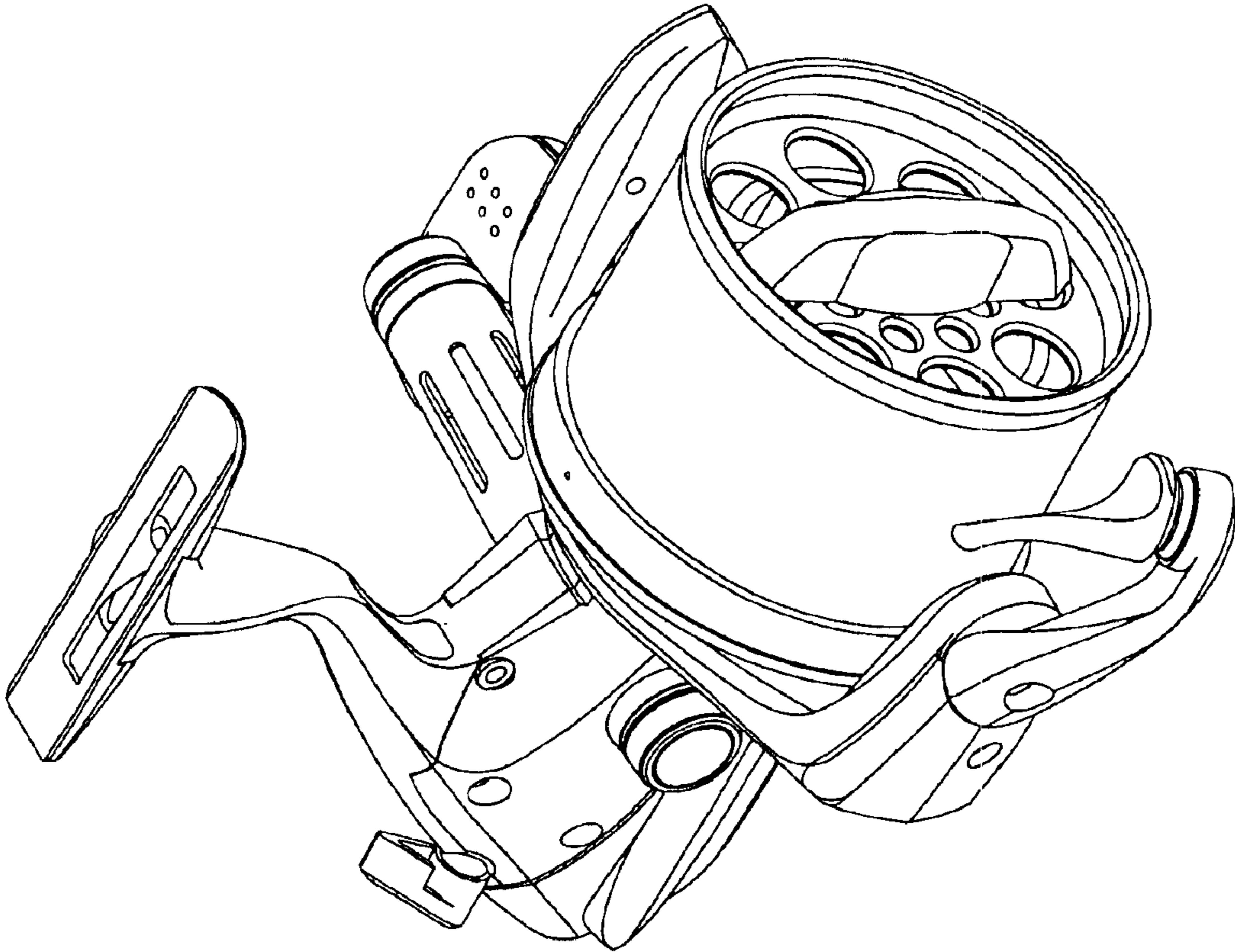


Fig. 7

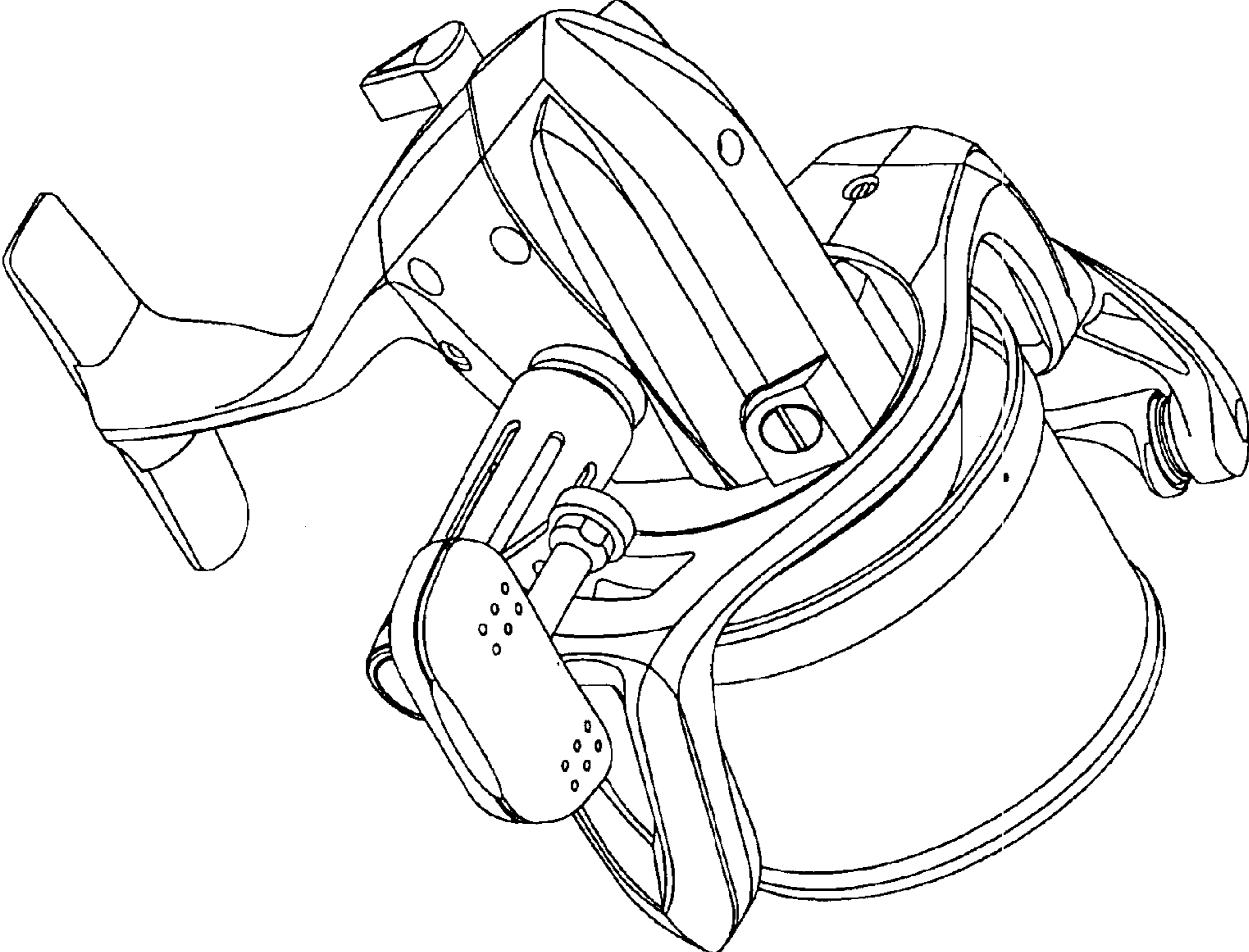


Fig. 8

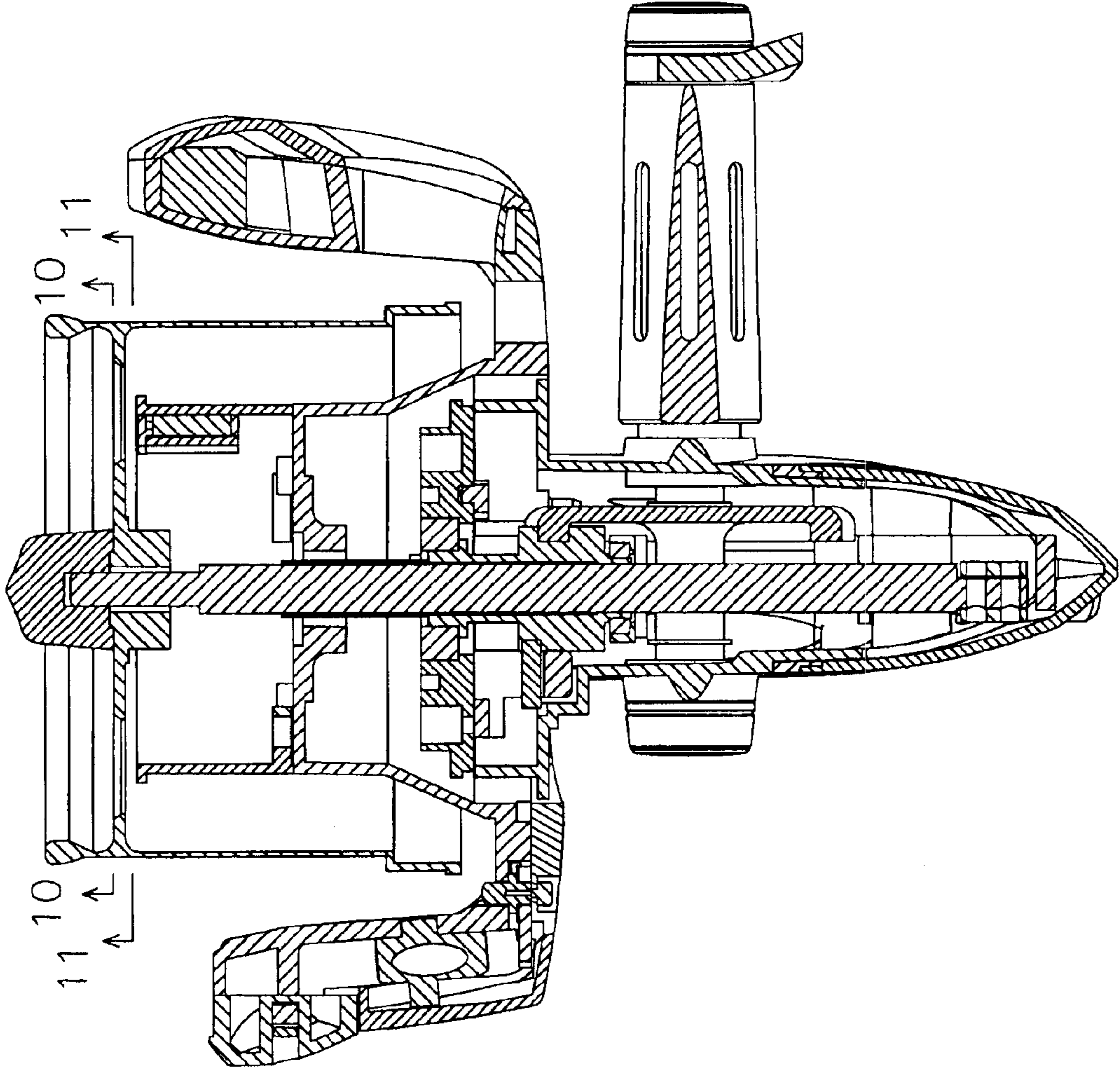


Fig. 9

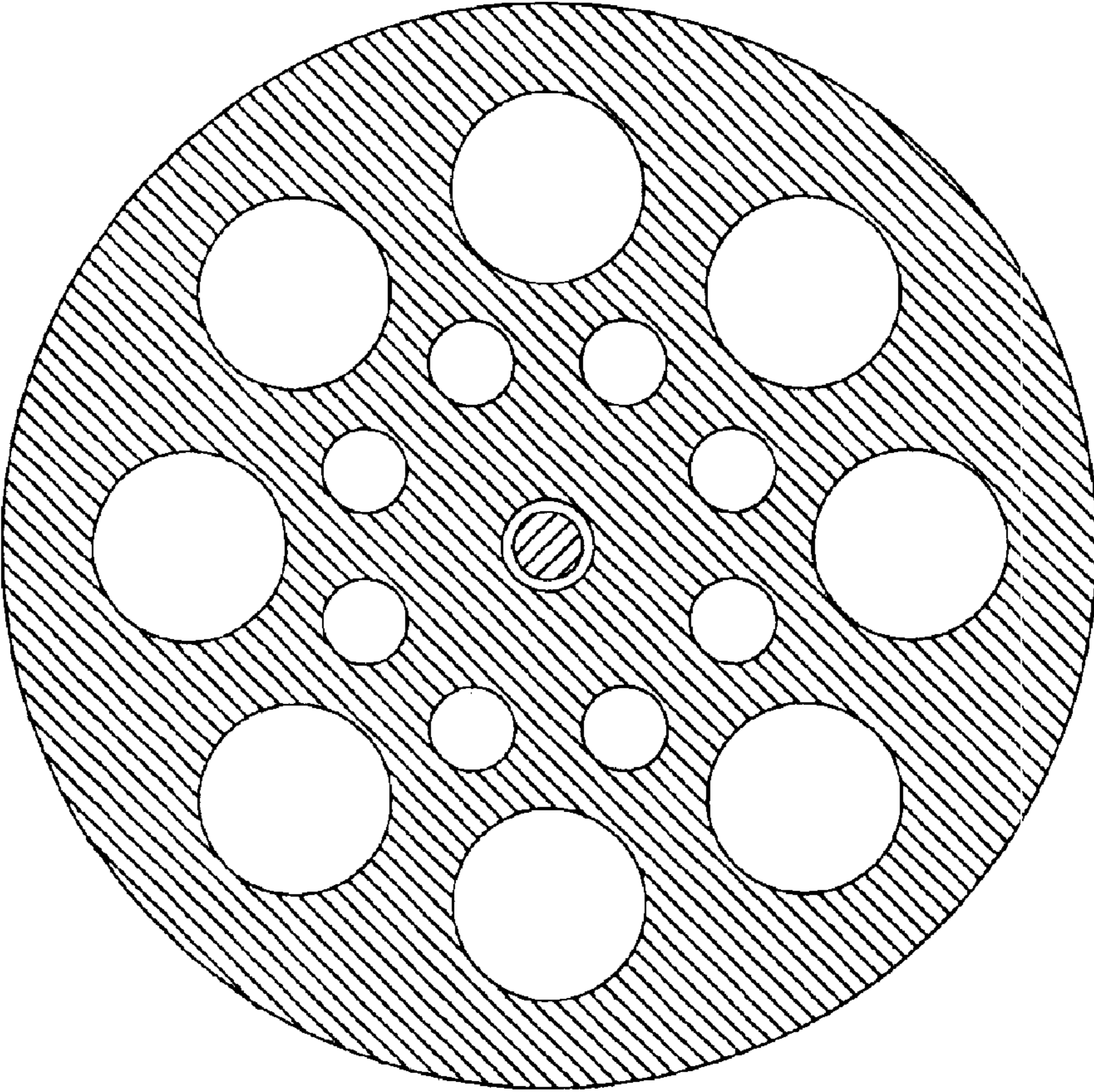


Fig. 10

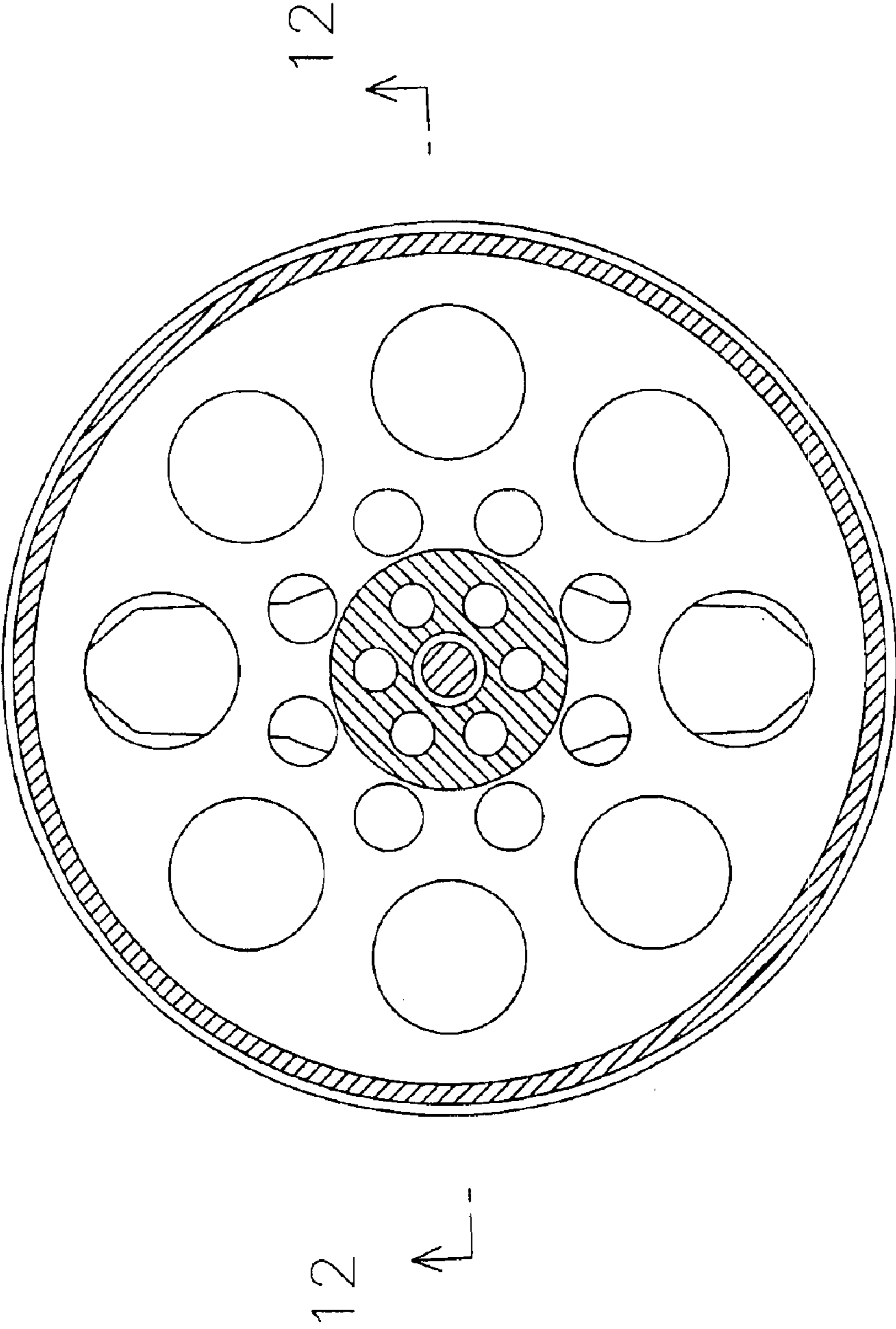


Fig. 11

Fig. 12

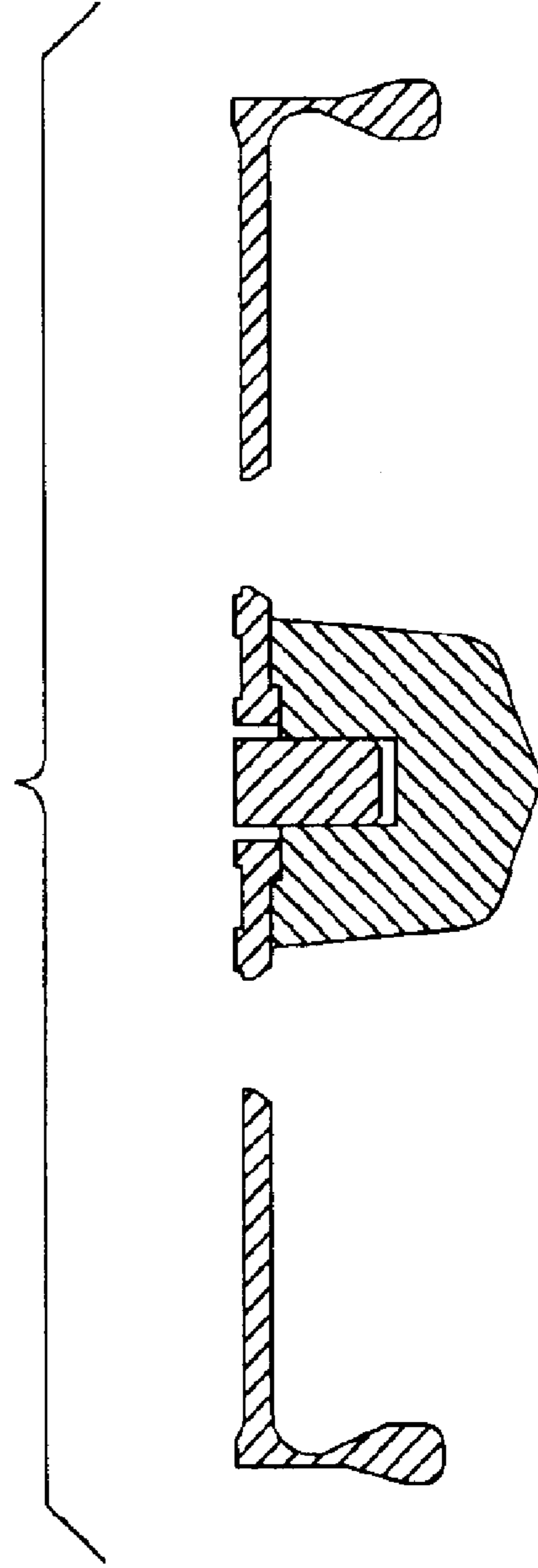
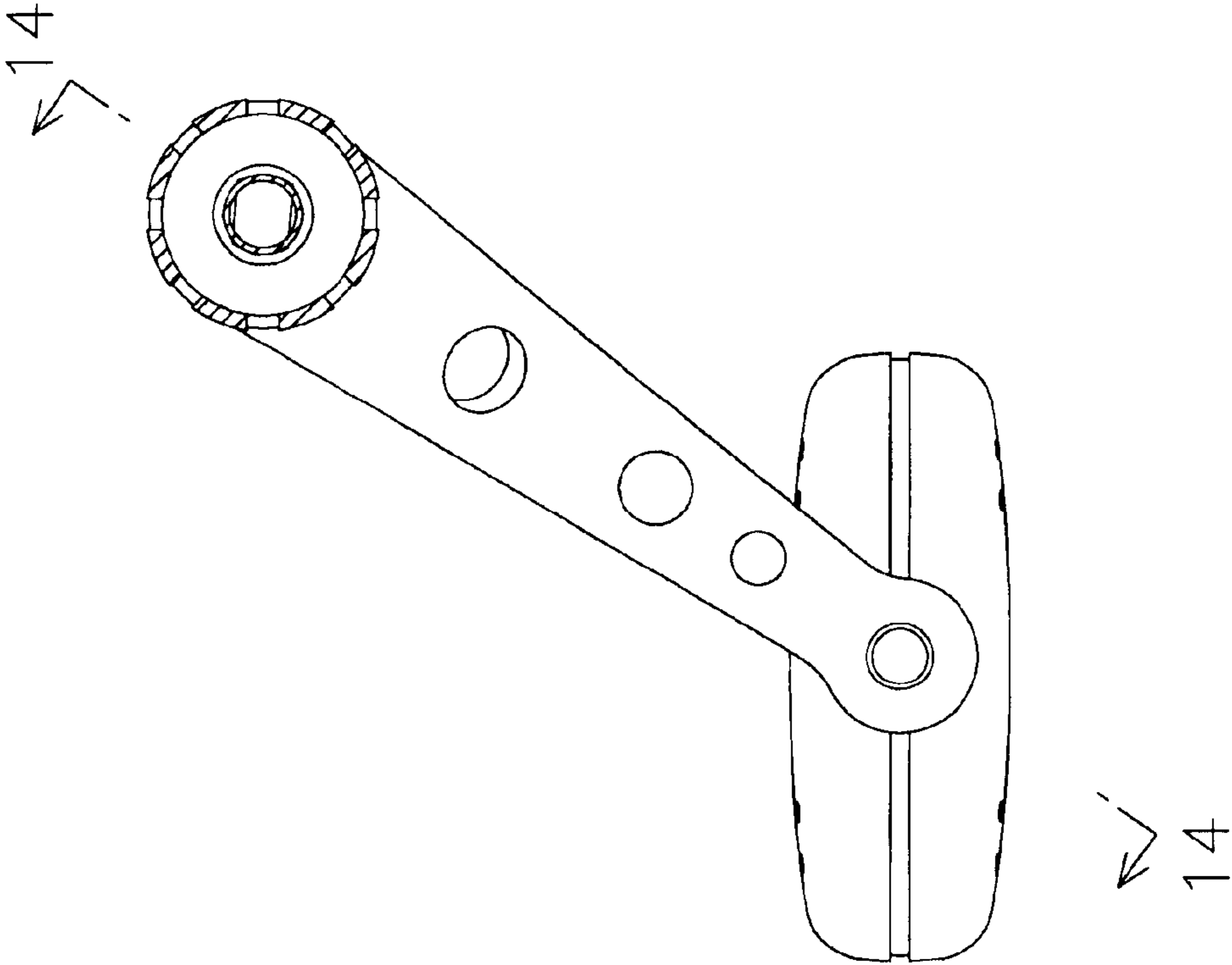


Fig. 13



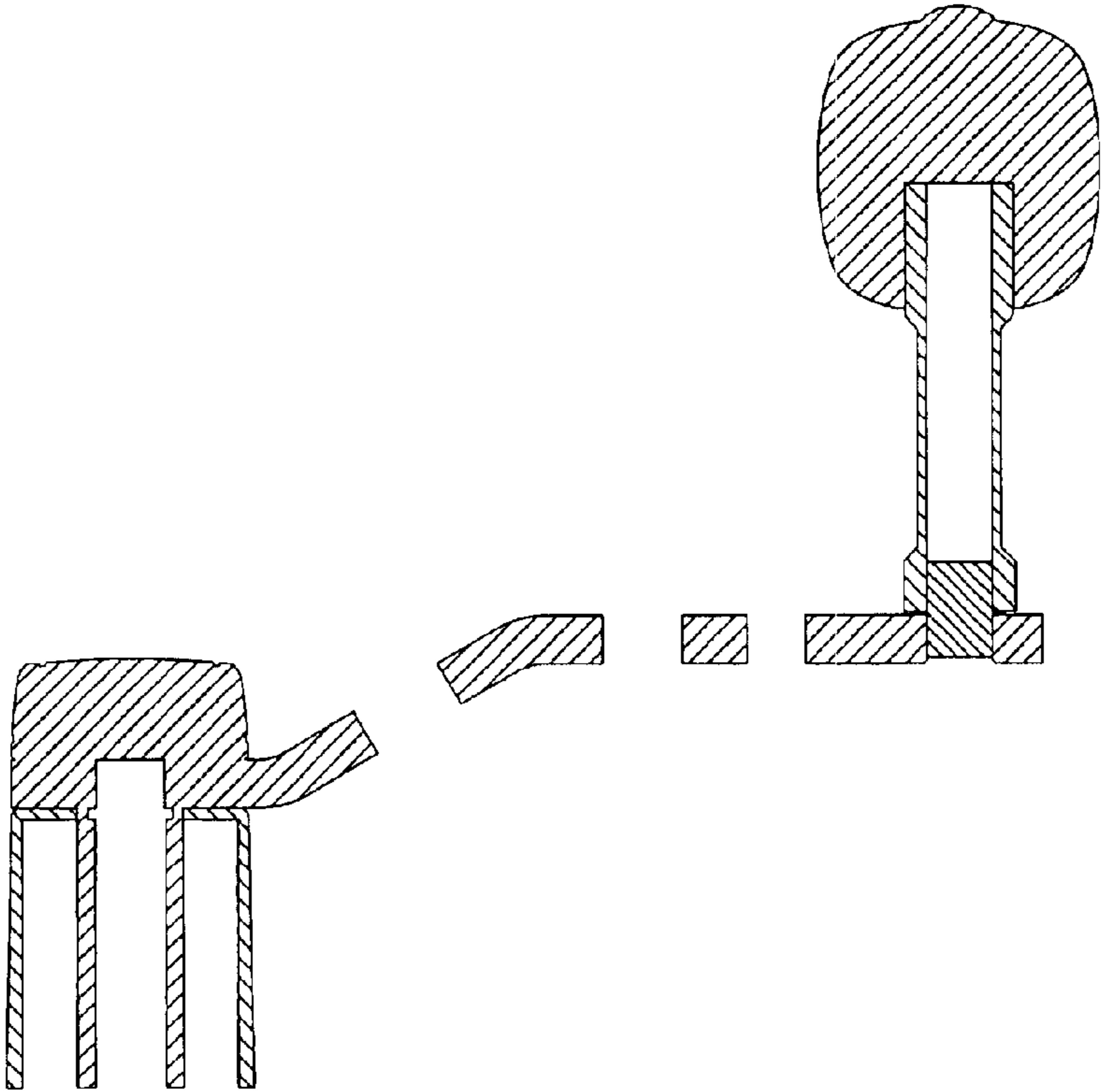


Fig. 14

Fig. 15

