

US00D506521S

(12) **United States Design Patent**  
**Strahan**

(10) **Patent No.:** **US D506,521 S**

(45) **Date of Patent:** **\*\* Jun. 21, 2005**

(54) **GUN REST**

(76) **Inventor:** **Travis Strahan**, 187 Townsend Cir.,  
Ringold, GA (US) 30736

(\*\*) **Term:** **14 Years**

(21) **Appl. No.:** **29/202,098**

(22) **Filed:** **Mar. 26, 2004**

(51) **LOC (8) Cl.** ..... **22-01**

(52) **U.S. Cl.** ..... **D22/108; D22/199**

(58) **Field of Search** ..... **D22/100; D2/101,**  
**D2/103, 108, 199; 42/94, 55; D6/552; 224/913;**  
**89/37.04, 37.12; 124/1; 211/64; 248/125.3,**  
**156, 187.1, 354.6; D21/569**

(56) **References Cited**

**U.S. PATENT DOCUMENTS**

538,588	A	*	4/1895	Karr	42/55
2,582,140	A	*	1/1952	Leek	89/44.01
D197,658	S	*	3/1964	Constan	D21/569
4,548,392	A	*	10/1985	Rickling	269/156
5,067,268	A	*	11/1991	Ransom	42/94
D381,388	S	*	7/1997	Raia	D22/108
D382,035	S	*	8/1997	Swicegood	D22/108
D387,123	S	*	12/1997	Hughes et al.	D22/108
5,811,720	A	*	9/1998	Quinnell et al.	89/37.04
D471,248	S	*	3/2003	Jacobs	D22/108

6,526,687	B1	*	3/2003	Looney	42/94
2004/0020097	A1	*	2/2004	Deros	42/94
2004/0134113	A1	*	7/2004	Deros et al.	42/94
2004/0148840	A1	*	8/2004	Jean Levilly	42/94

\* cited by examiner

*Primary Examiner*—Louis S. Zarfaz

*Assistant Examiner*—Melanie Levy

(74) *Attorney, Agent, or Firm*—Rodgers & Rodgers

(57) **CLAIM**

The ornamental design for a gun rest, as shown.

**DESCRIPTION**

FIG. 1 is a perspective view of a gun rest showing my new design;

FIG. 2 is a rear elevational view thereof rotated 90° counterclockwise compared to FIG. 1;

FIG. 3 is a front elevational view thereof rotated 90° counterclockwise compared to FIG. 1;

FIG. 4 is a left side elevational view thereof;

FIG. 5 is a right side elevational view thereof;

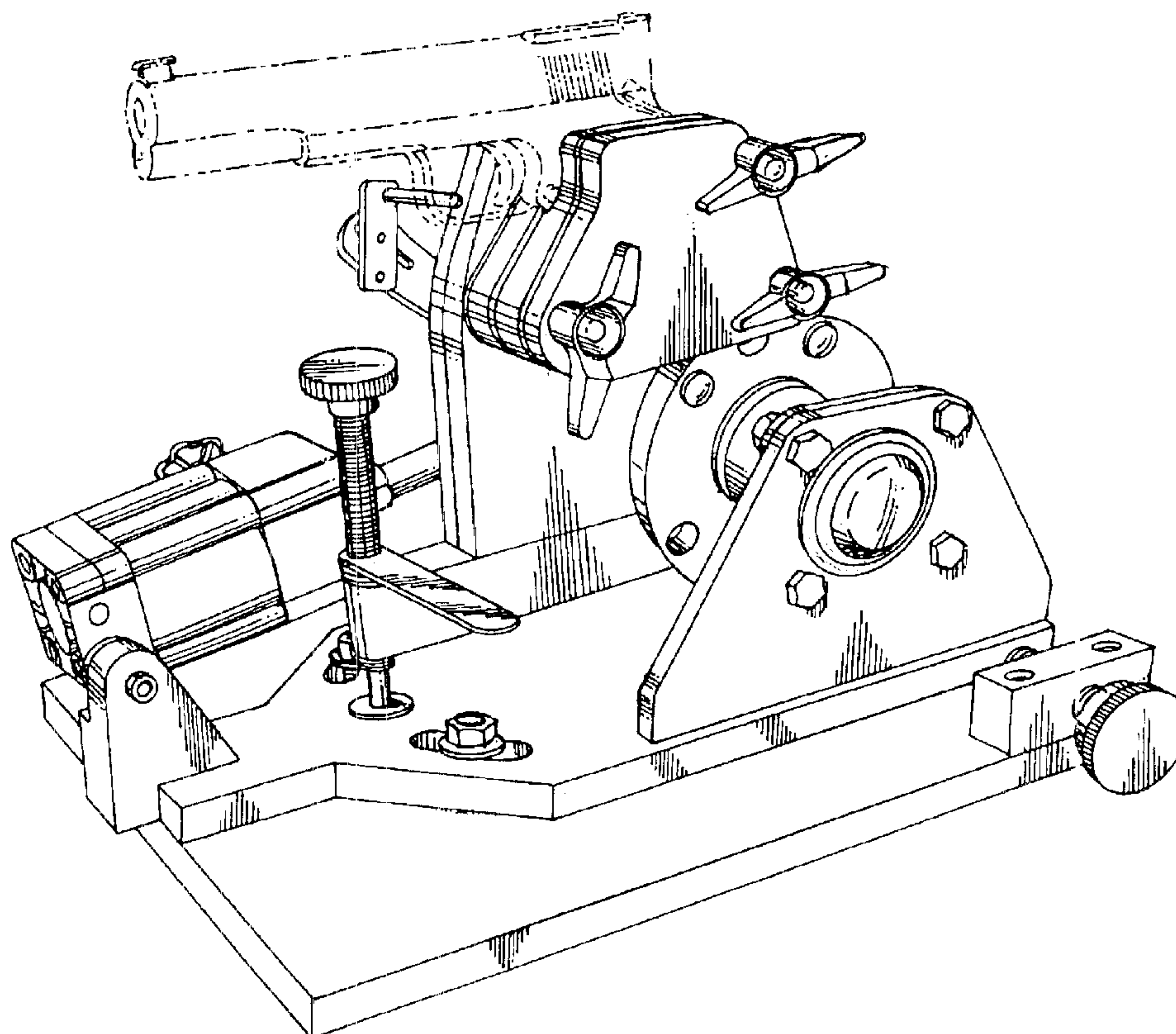
FIG. 6 is a top plan view thereof; and,

FIG. 7 is a bottom plan view thereof.

The broken lines in FIG. 1 are for illustrative purpose only, and form no part of the claimed design.

FIGS. 2–7 are drawn on an enlarged scale to show detail.

**1 Claim, 7 Drawing Sheets**



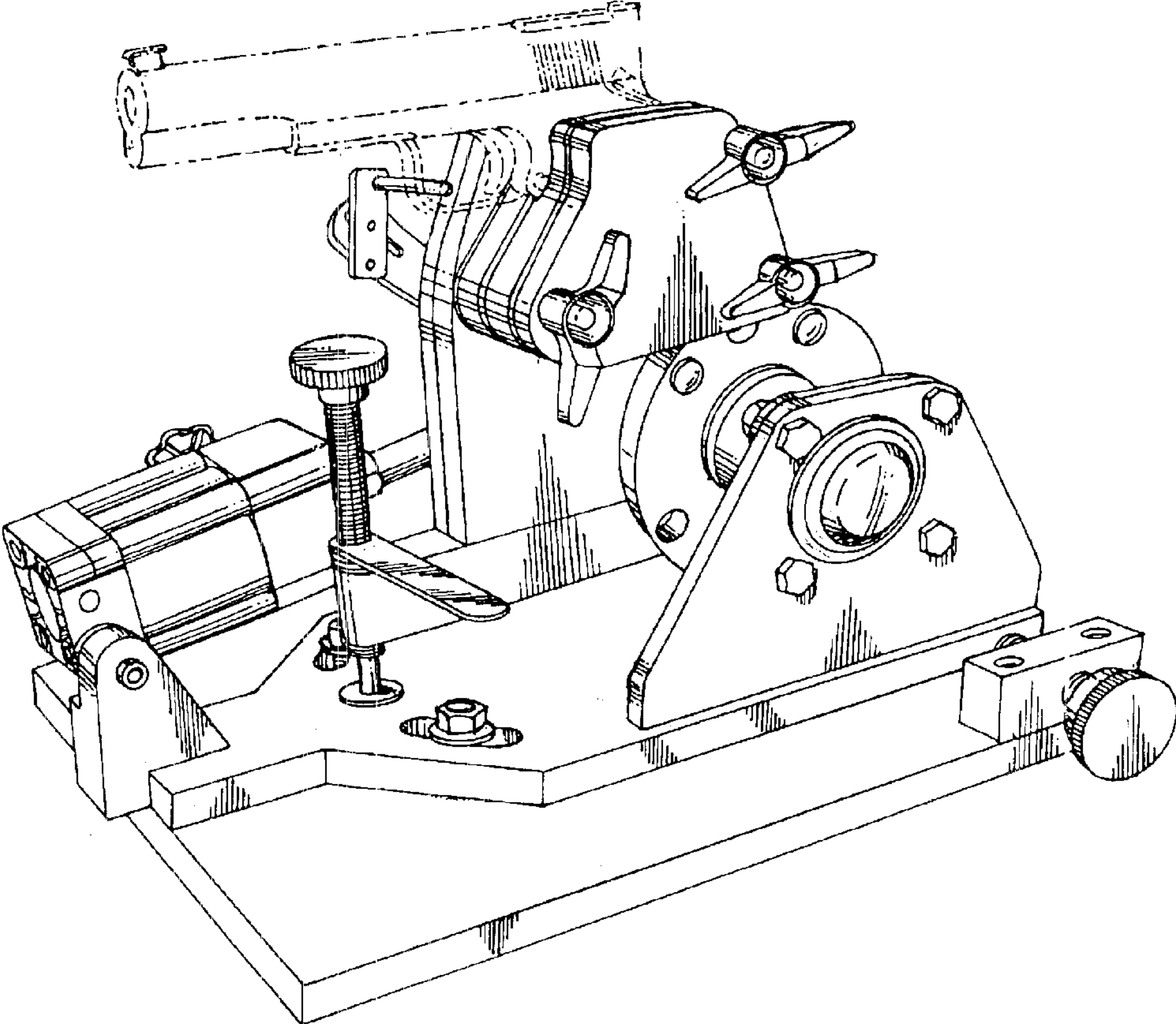
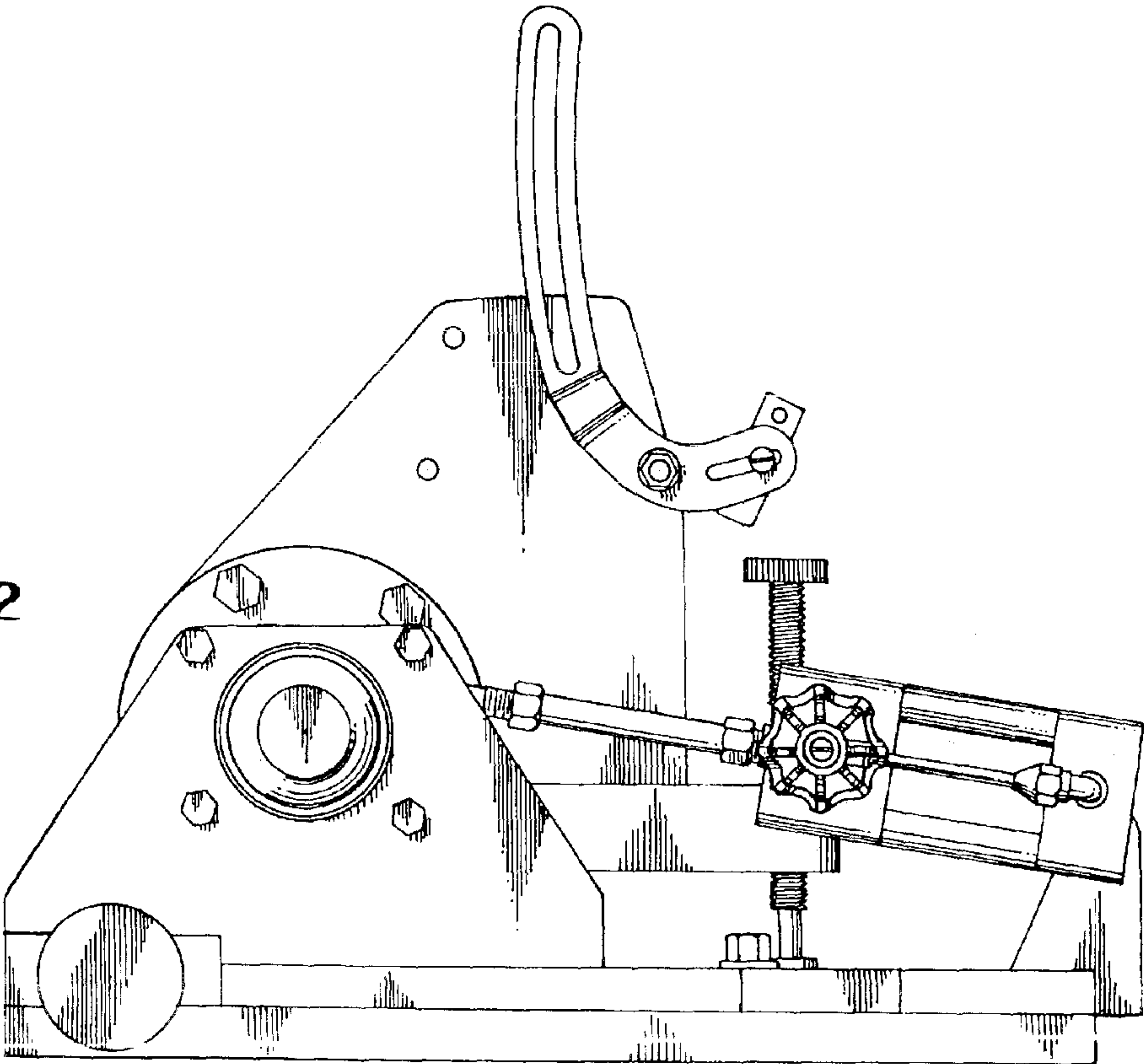


FIG. I

FIG. 2



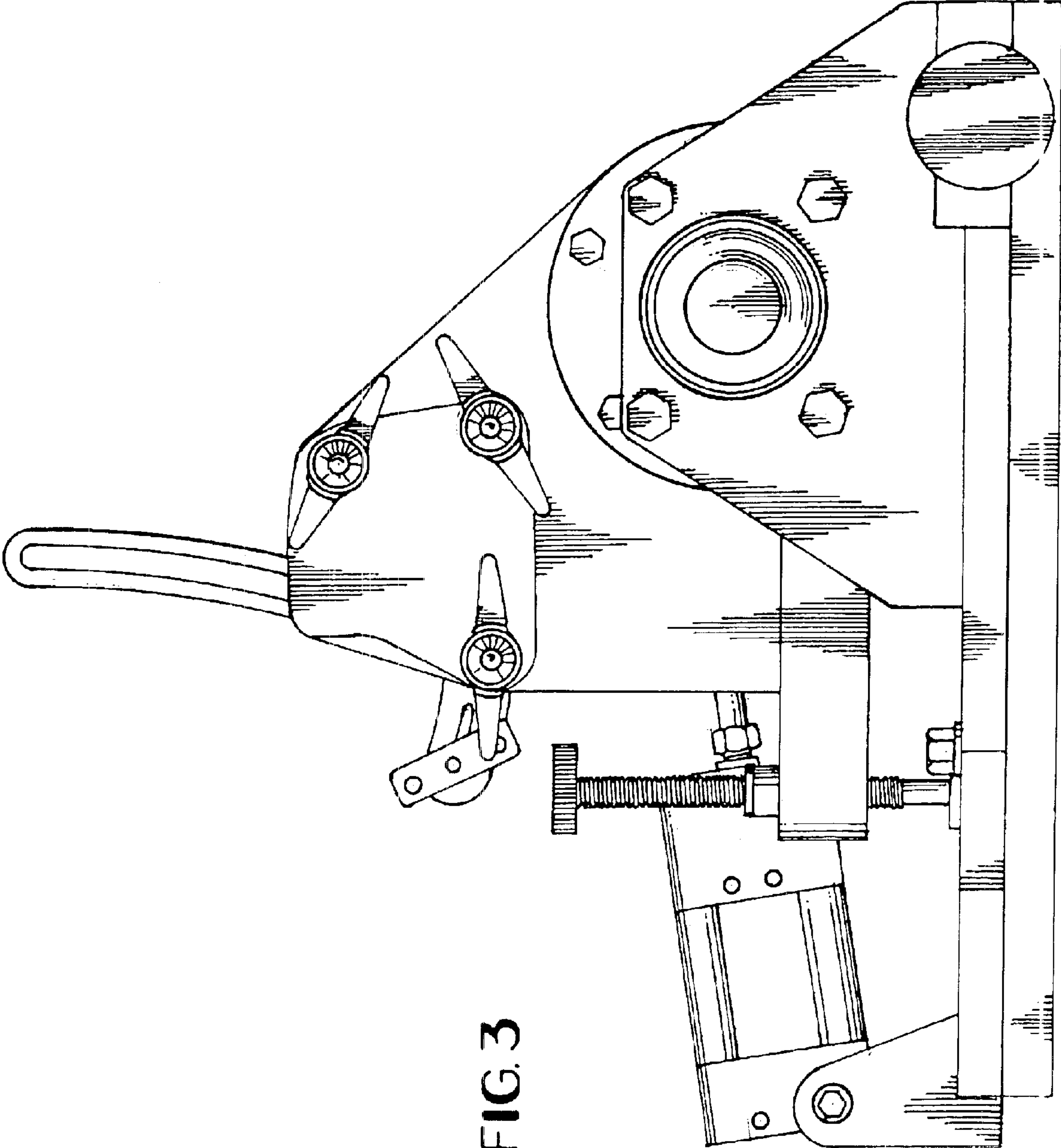


FIG. 3



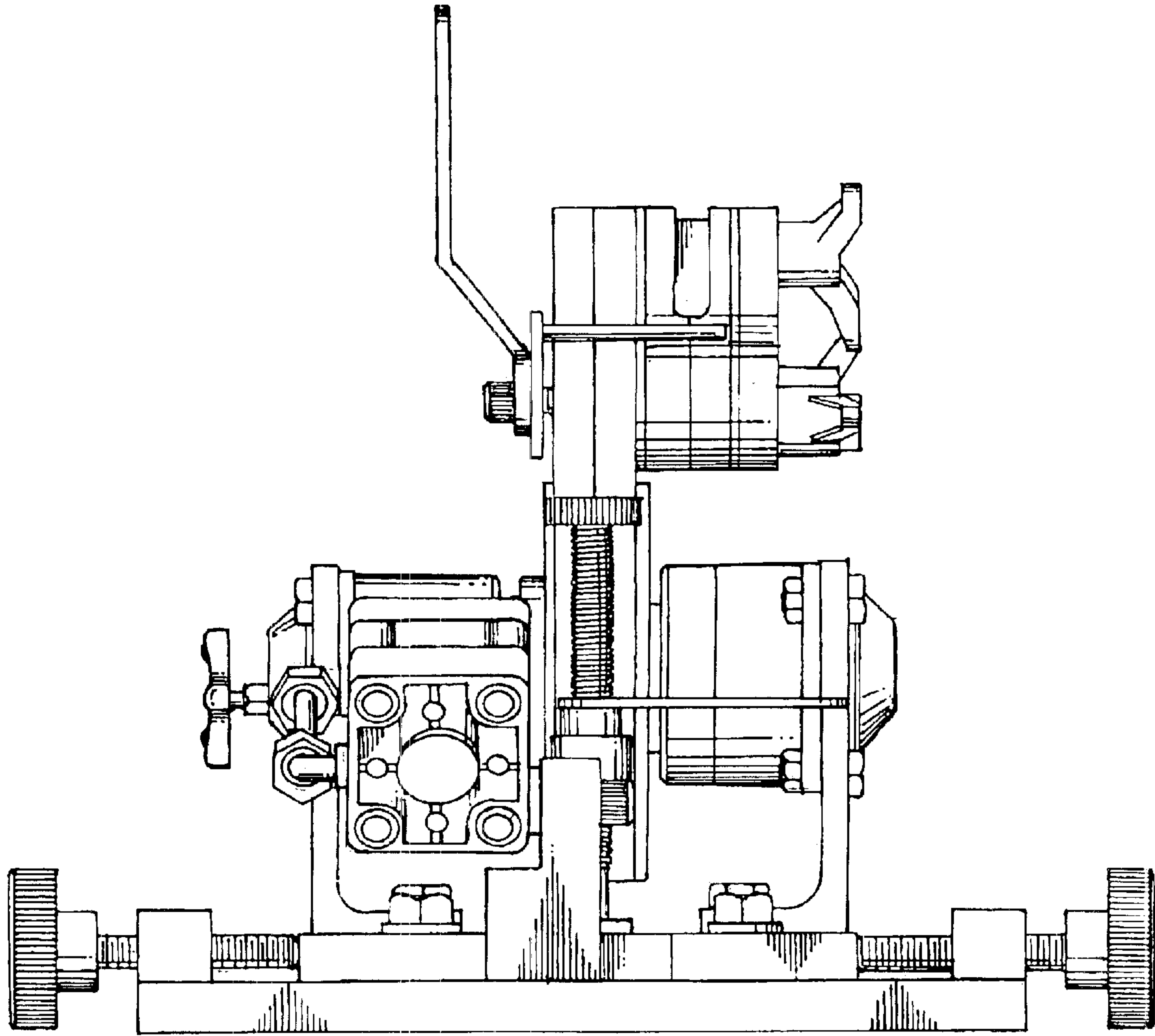


FIG. 4

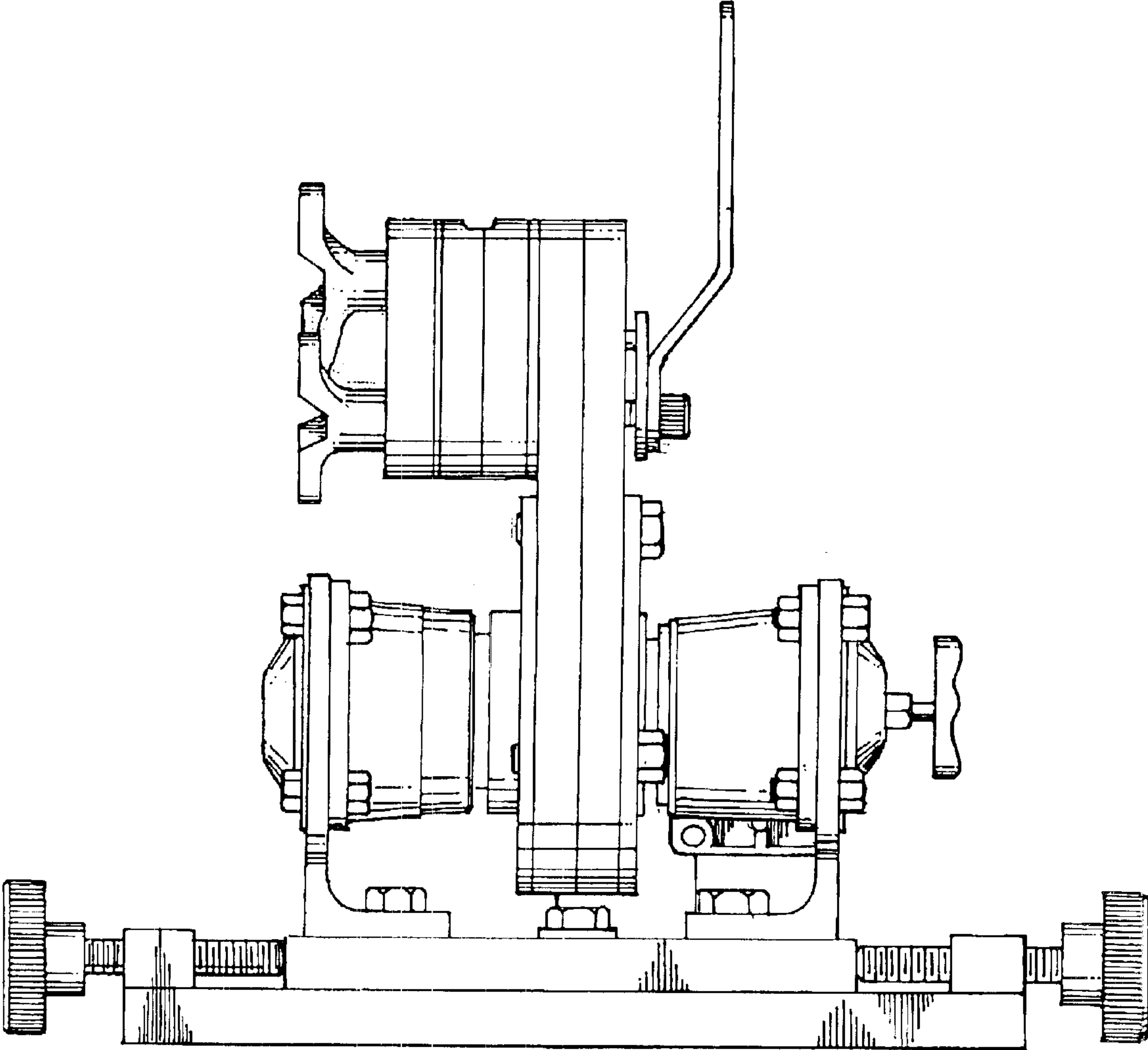


FIG. 5

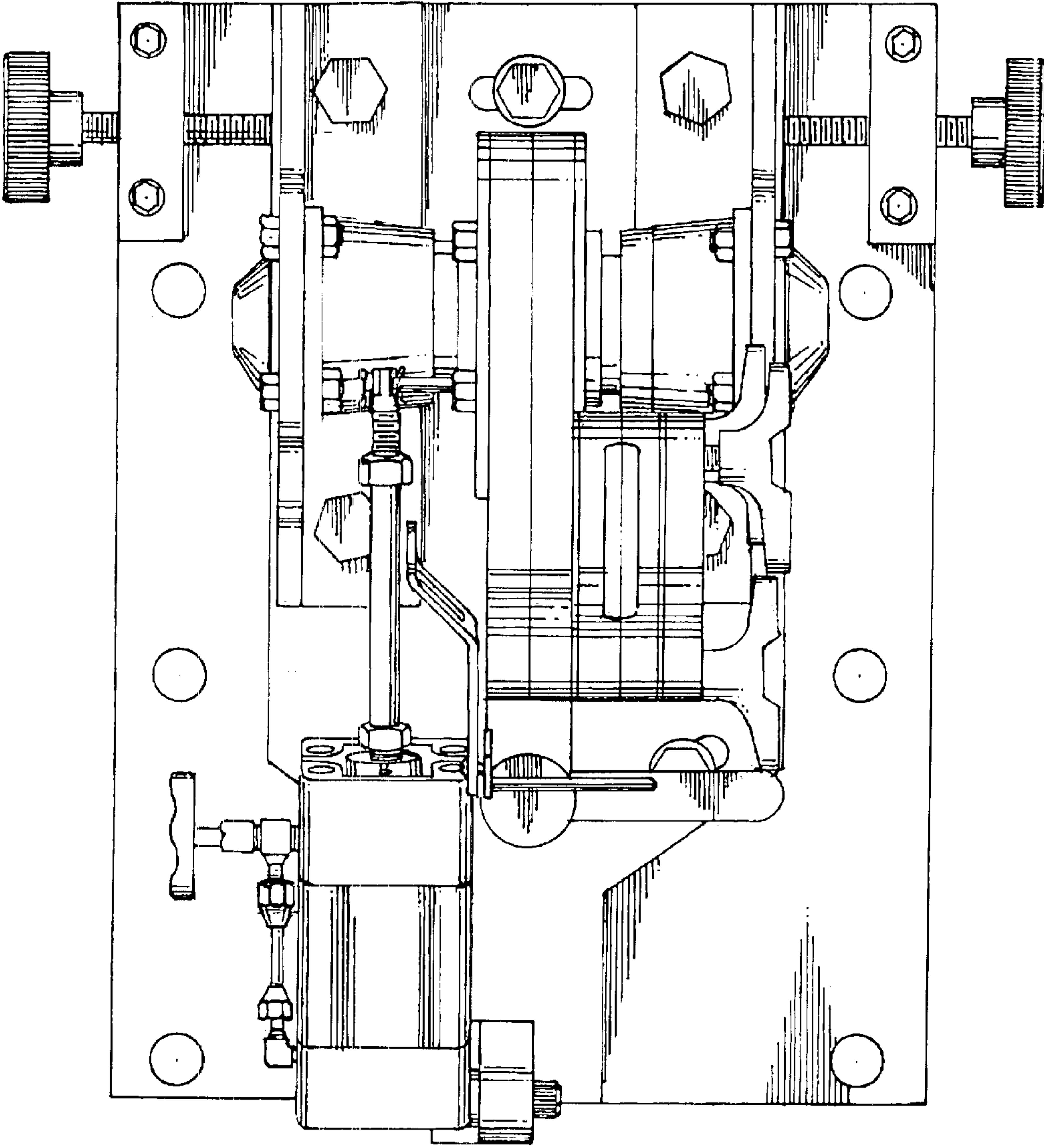


FIG.6

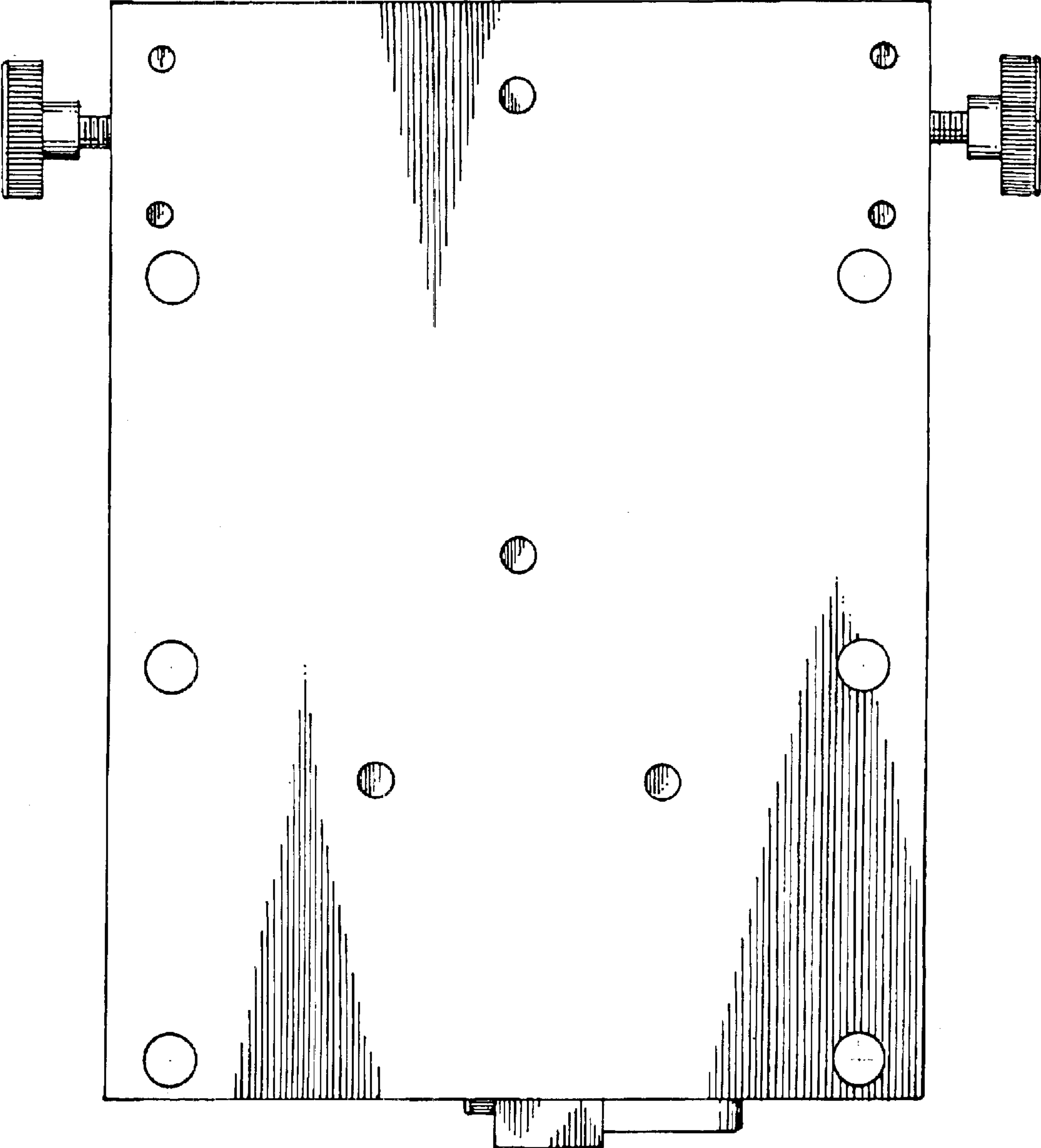


FIG. 7