

US00D506520S

(12) **United States Design Patent** (10) **Patent No.:** **US D506,520 S**
Timm et al. (45) **Date of Patent:** **** Jun. 21, 2005**

(54) **RETICLE FOR A GUNSIGHT OR OTHER PROJECTILE WEAPON AIMING DEVICE**

(75) Inventors: **Steven R. Timm**, Milwaukie, OR (US); **Serge Zaderey**, Beaverton, OR (US); **Gary R. Williams**, West Linn, OR (US); **Victoria J. Peters**, Forest Grove, OR (US); **Laura Peter**, Vancouver, WA (US); **Tim Lesser**, Beaverton, OR (US); **Tim L. O'Connor**, Portland, OR (US)

(73) Assignee: **Leupold & Stevens, Inc.**, Beaverton, OR (US)

(**) Term: **14 Years**

(21) Appl. No.: **29/193,335**

(22) Filed: **Nov. 4, 2003**

(51) **LOC (8) Cl.** **22-01**
(52) **U.S. Cl.** **D22/108; D22/199**
(58) **Field of Search** **D22/108, 199; D16/130, 134; 33/245, 246, 297, 298; 42/122, 130; 235/414; 350/550; 356/21; 359/424, 428; 421/122**

(56) **References Cited**

U.S. PATENT DOCUMENTS

2,171,571	A	*	9/1939	Karnes	42/123
2,464,521	A	*	3/1949	McCall	33/297
3,190,003	A		6/1965	O'Brien	
3,381,380	A	*	5/1968	Thomas	33/297
3,392,450	A		7/1968	Herter et al.	
3,470,616	A	*	10/1969	Thompson	33/297
3,540,256	A	*	11/1970	Thompson	72/299
3,948,587	A		4/1976	Rubbert	
4,263,719	A		4/1981	Murdoch	
4,285,137	A		8/1981	Jennie	
4,403,421	A		9/1983	Shepherd	
4,584,776	A		4/1986	Shepherd	
4,618,221	A		10/1986	Thomas	
4,806,007	A		2/1989	Bindon	
D306,173	S		2/1990	Reese	

(Continued)

OTHER PUBLICATIONS

Leupold & Stevens Inc., Leupold 2003 Catalog, Nov. 2002, pp. 8, 9, 25 & 30.
Schmidt & Bender, "Rifle Scopes Built for the Demanding Needs of the Precision Sharpshooter," 3 pages (date unknown).

(Continued)

Primary Examiner—Louis S. Zarfaz
Assistant Examiner—Melanie Levy

(74) *Attorney, Agent, or Firm*—Stoel Rives LLP

(57) **CLAIM**

We claim the ornamental design for a reticle for a gunsight or other projectile weapon aiming device, as shown and described.

DESCRIPTION

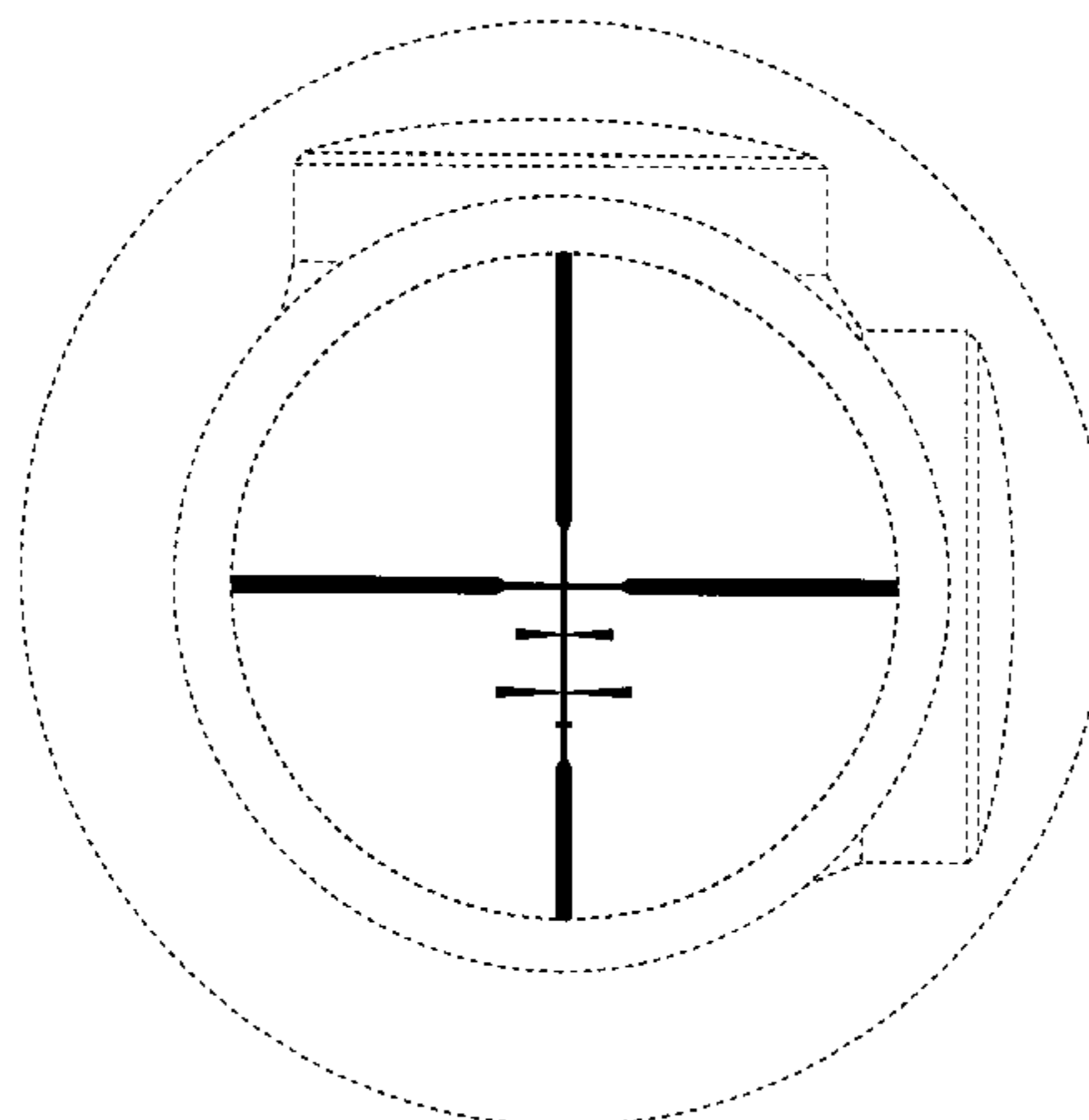
This application is related to a U.S. Provisional Patent Application titled "Ballistic Reticle for Projectile Weapon Aiming Systems and Method of Aiming," filed Nov. 4, 2003 and U.S. Nonprovisional Patent Application No. 10/933,856, filed Sep. 3, 2004, claiming the benefit of said provisional application.

© 2003 Leupold & Stevens, Inc. A portion of the disclosure of this patent document contains material which is subject to copyright protection. The copyright owner has no objection to the facsimile reproduction by anyone of the patent document or the patent disclosure, as it appears in the Patent and Trademark Office patent file or records, but otherwise reserves all copyright rights whatsoever. 37 CFR § 1.71(d). FIG. 1 is a view of a reticle for a gunsight or other projectile weapon aiming device, as viewed through an eyepiece end of a riflescope or other projectile weapon aiming device; and,

FIG. 2 is a perspective view showing of an environment of use for the reticle of FIG. 1.

In FIGS. 1 and 2, the dashed lines indicate environmental features that form no part of the claimed invention. The copyright notice in FIG. 1 forms no part of the claimed invention.

1 Claim, 2 Drawing Sheets



U.S. PATENT DOCUMENTS

5,616,903	A	4/1997	Springer	
D397,704	S	9/1998	Reese	
D403,686	S	1/1999	Reese	
5,920,995	A	7/1999	Sammut	
6,032,374	A	3/2000	Sammut	
6,357,158	B1	3/2002	Smith, III	
D456,057	S	* 4/2002	Smith, III D22/108
6,453,595	B1	9/2002	Sammut	
D475,758	S	6/2003	Ishikawa	
6,591,537	B2	7/2003	Smith	

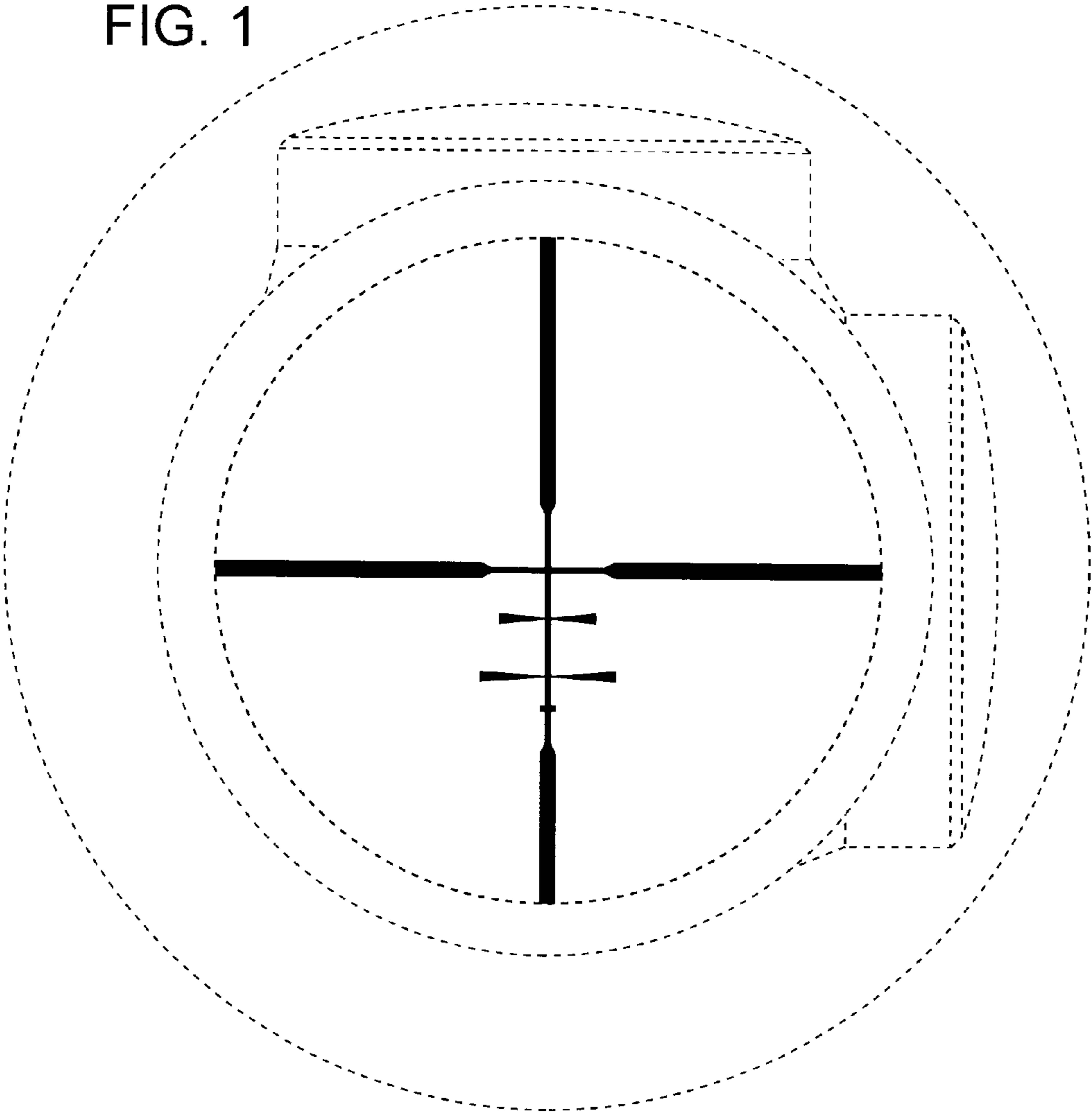
OTHER PUBLICATIONS

Shepard Scope Ltd., Shepherd's Easy One Shot Zero, product brochure, 2 pages (date unknown).
Swarovski Optik advertisement, "Christmas Tree" reticle, 1 page (date unknown).
Trijicon, Inc., Bindon Aiming Concept reticles, 5 pages (date unknown).
Nightforce Precision Optics, Illuminated Reticles, 1 page (date unknown).

Elcan Optical Technologies, SpecterIR Thermal Weapon Sight, M240/M249 Machine Gun Reticle and M4 Carbine reticle, 10 pages (date unknown).
Burriss Optics, Plex Reticle and Ballistic Mil-Dot Reticle, <http://www.burrissoptics.com/reticles.html>, 3 pages (date unknown).
Carl Zeiss, Reticles, 2 pages (date unknown).
Simmons outdoor corporation, 2003 Catalog, pp. 9 and 11.
Premier Reticles, Ltd.,—Introducing the Next Generation Mil-dot reticle; <http://www.premierreticles.com/gen2.html>, visited Nov. 21, 2002, 2 pages.
Premier Reticles, Ltd., 2002 Pricing & Information/Catalog, Aug. 1, 2002, 21 pages.
German text on reflexscopes, "Zusammenstellung Moglicher Zielfernrohr-Absehen," p. 477 (date unknown).
Redfield Optics, LE-9 Sniper Reticle, Jul. 19, 1994, 1 page.
D.O.D. Proprietary Data, Drawing for Special Reticle for SSG86-10 Power Optic for Exclusive Use by Gun South, Inc., Jun 30, 1986, 1 page.

* cited by examiner

FIG. 1



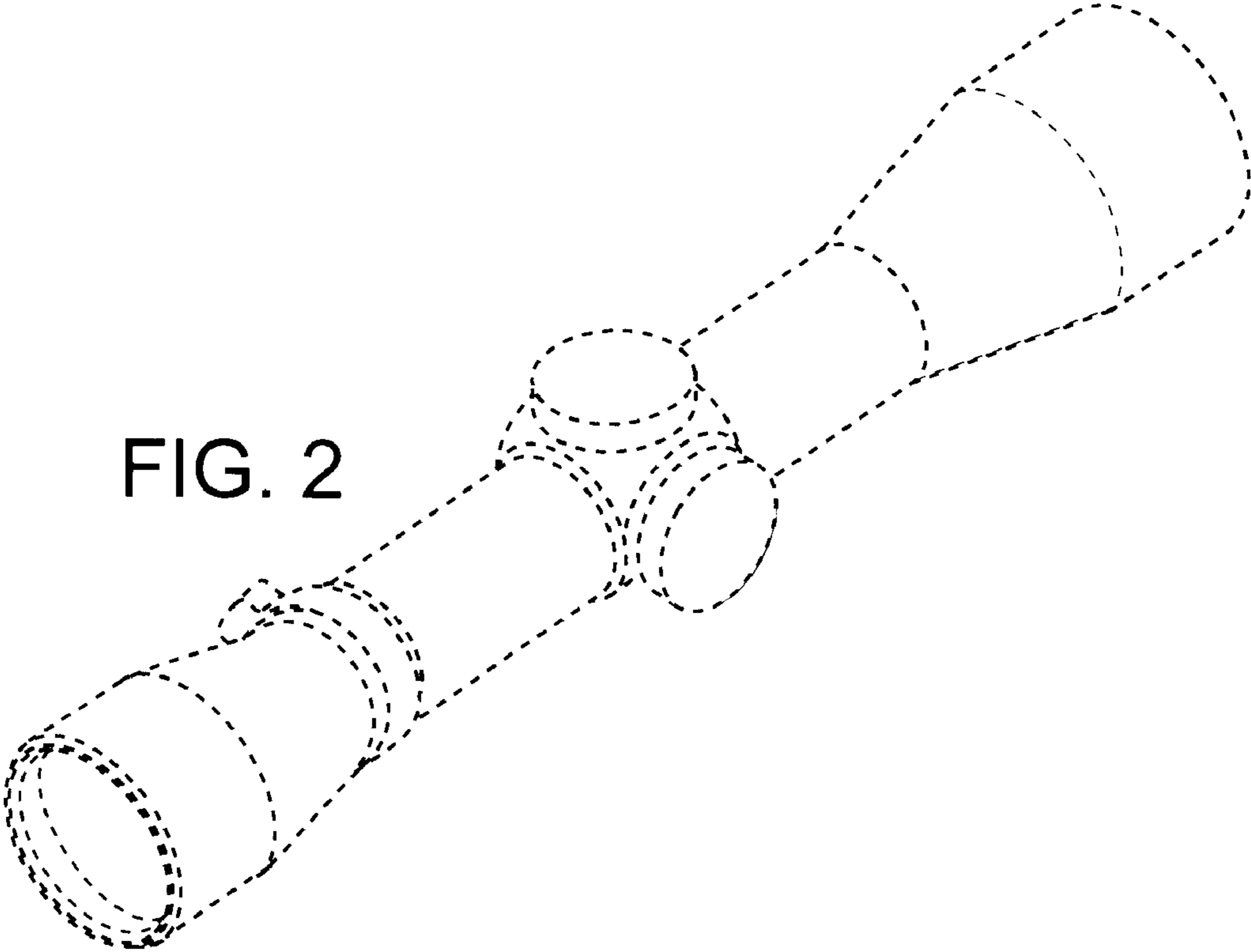


FIG. 2