

US00D506518S

(12) **United States Design Patent**
Jones

(10) **Patent No.:** **US D506,518 S**
(45) **Date of Patent:** **** Jun. 21, 2005**

(54) **GOLF PUTTER HEAD**

D412,729 S 8/1999 Woodward D21/743

(76) **Inventor:** **Eric W. Jones**, 2716 W. Washita,
Springfield, MO (US) 65807

* cited by examiner

Primary Examiner—Mitchell Siegel

(**) **Term:** **14 Years**

(74) *Attorney, Agent, or Firm*—Jonathan A. Bay

(21) **Appl. No.:** **29/199,703**

(57) **CLAIM**

(22) **Filed:** **Feb. 18, 2004**

The ornamental design for a golf putter head, as shown and described.

(51) **LOC (8) Cl.** **21-02**

DESCRIPTION

(52) **U.S. Cl.** **D21/736**

(58) **Field of Search** D21/736–746;
473/324–331, 340, 341, 251–256

FIG. 1 is a perspective view of a golf putter head showing my new design, wherein portions of a shaft are shown in broken lines for illustrative purposes only and form no part of the claimed design;

(56) **References Cited**

U.S. PATENT DOCUMENTS

D27,732 S	10/1897	Adams	D21/741
3,399,898 A	9/1968	Burkland		
D246,329 S	* 11/1977	Little	D21/739
4,653,756 A	* 3/1987	Sato	473/327
D306,629 S	* 3/1990	Shearer	D21/743
D345,190 S	3/1994	Wooten	D21/217
D350,998 S	9/1994	Wooten	D21/217
5,433,441 A	7/1995	Olsen et al.		

FIG. 2 is a left side elevational view of the golf putter head of FIG. 1 as shown in isolation, the opposite right side elevational view comprising a substantial mirror image thereof;

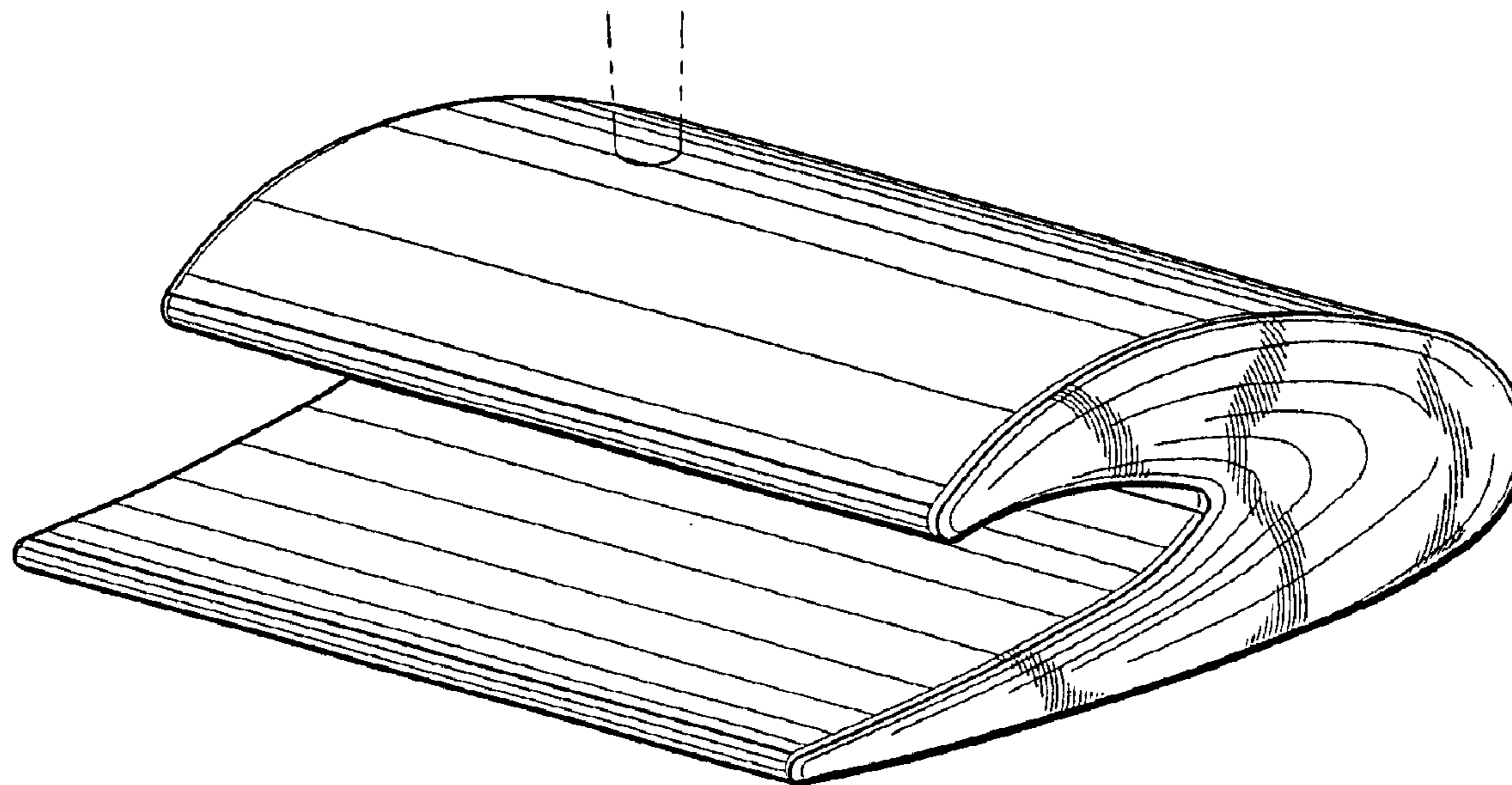
FIG. 3 is a top plan view thereof;

FIG. 4 is a front elevational view thereof;

FIG. 5 is a rear elevational view thereof; and,

FIG. 6 is a bottom plan view thereof.

1 Claim, 3 Drawing Sheets



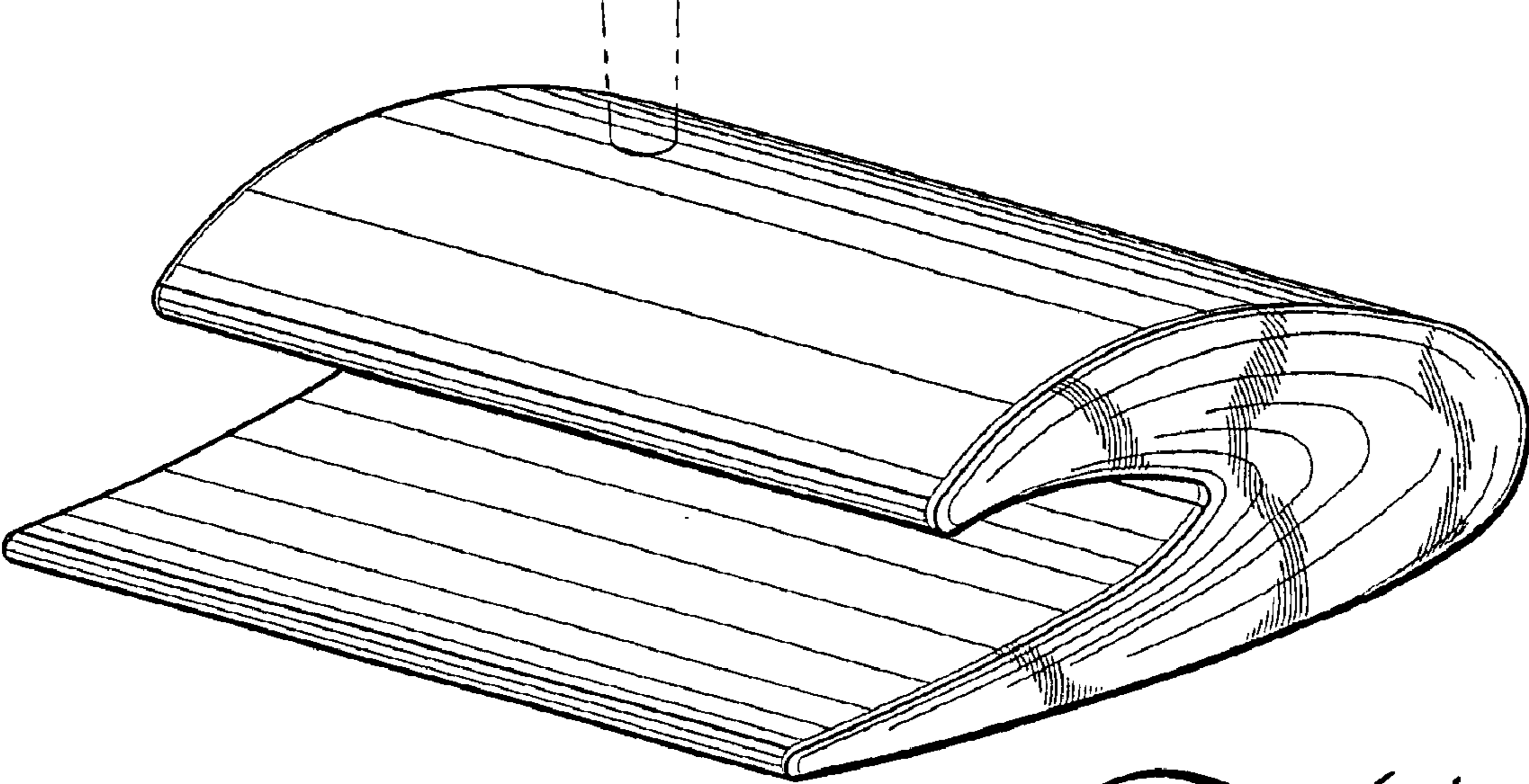


Fig. 1

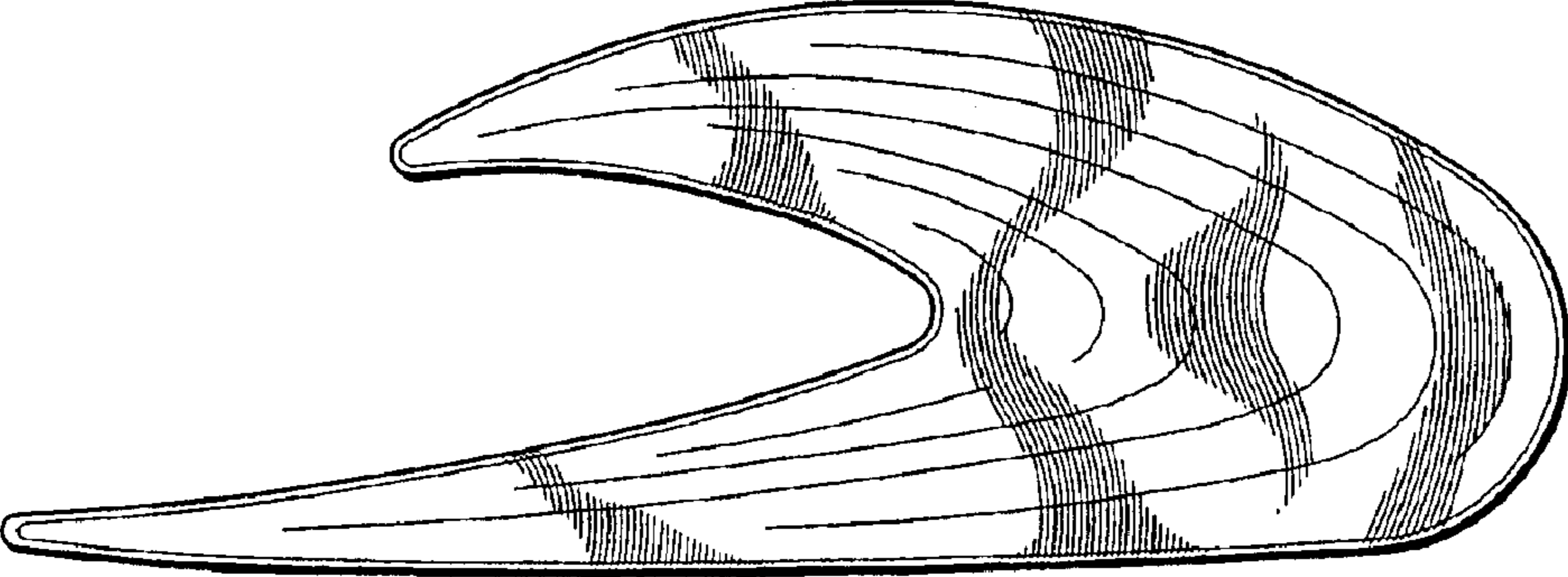


Fig. 2

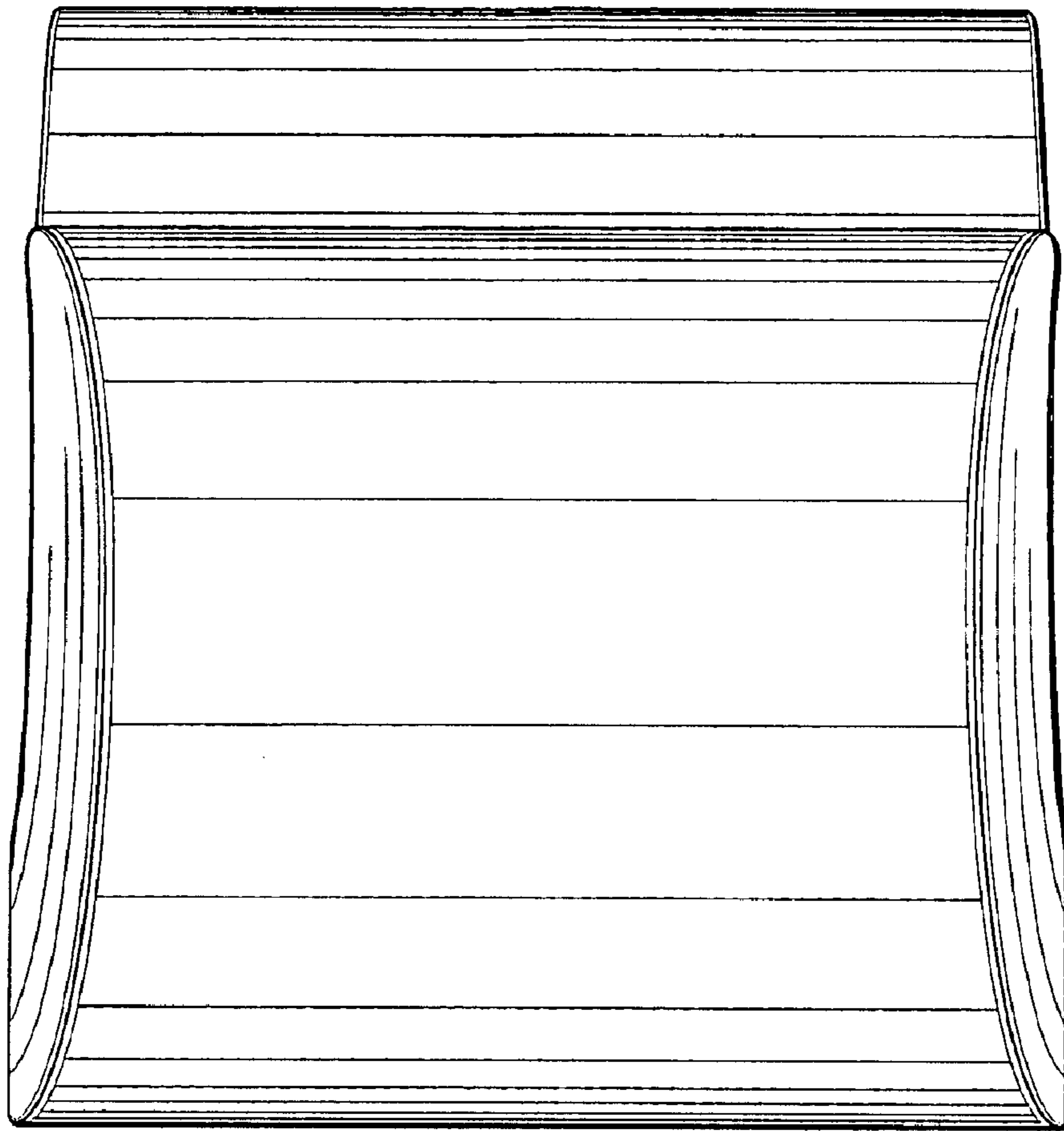


Fig. 3

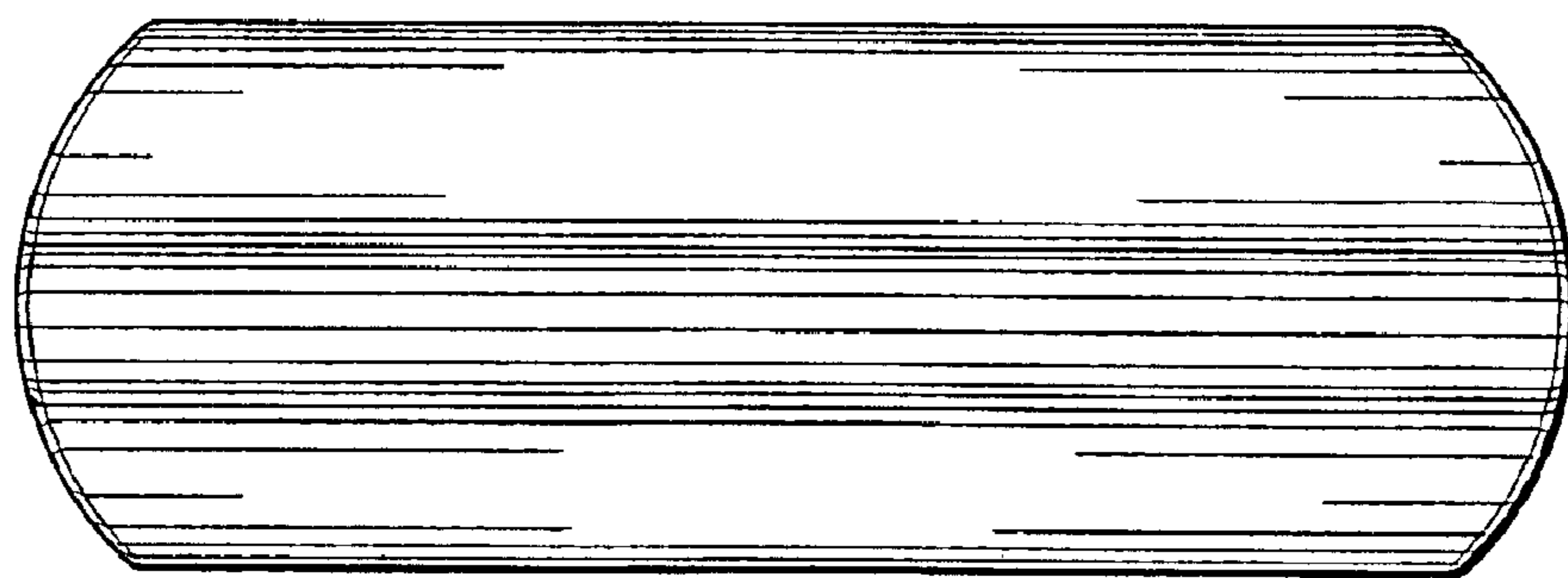


Fig. 4

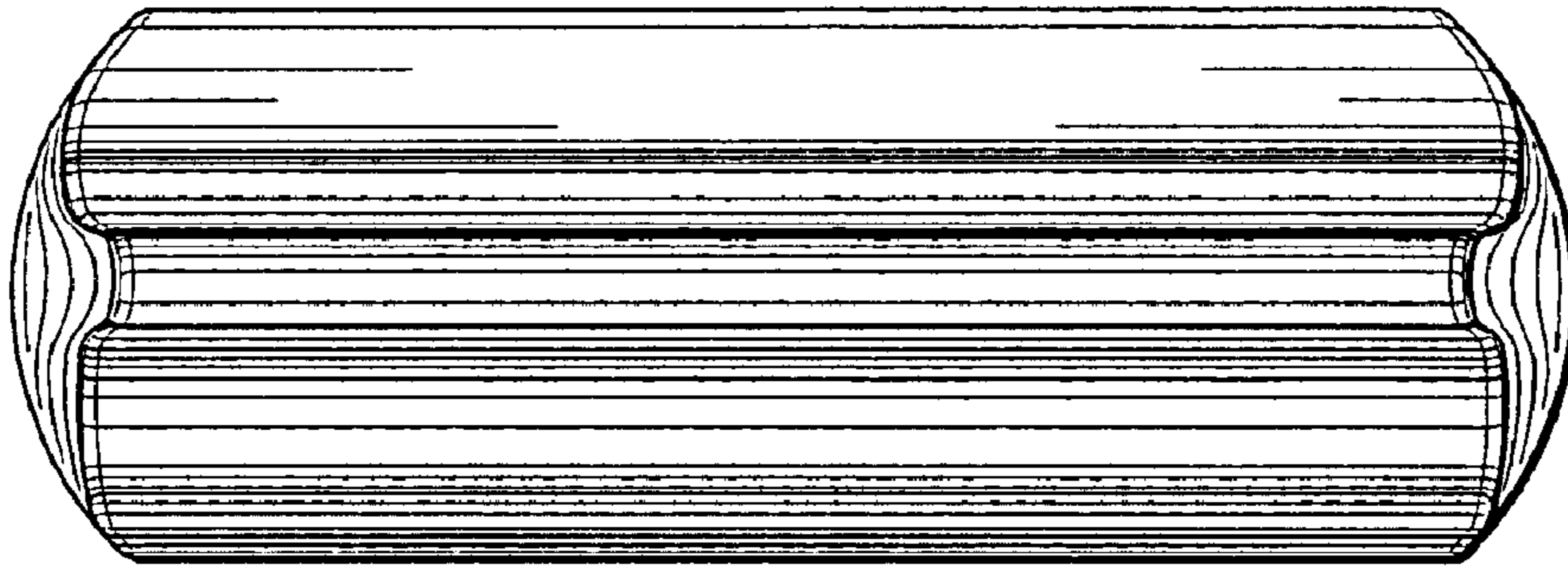


Fig. 5

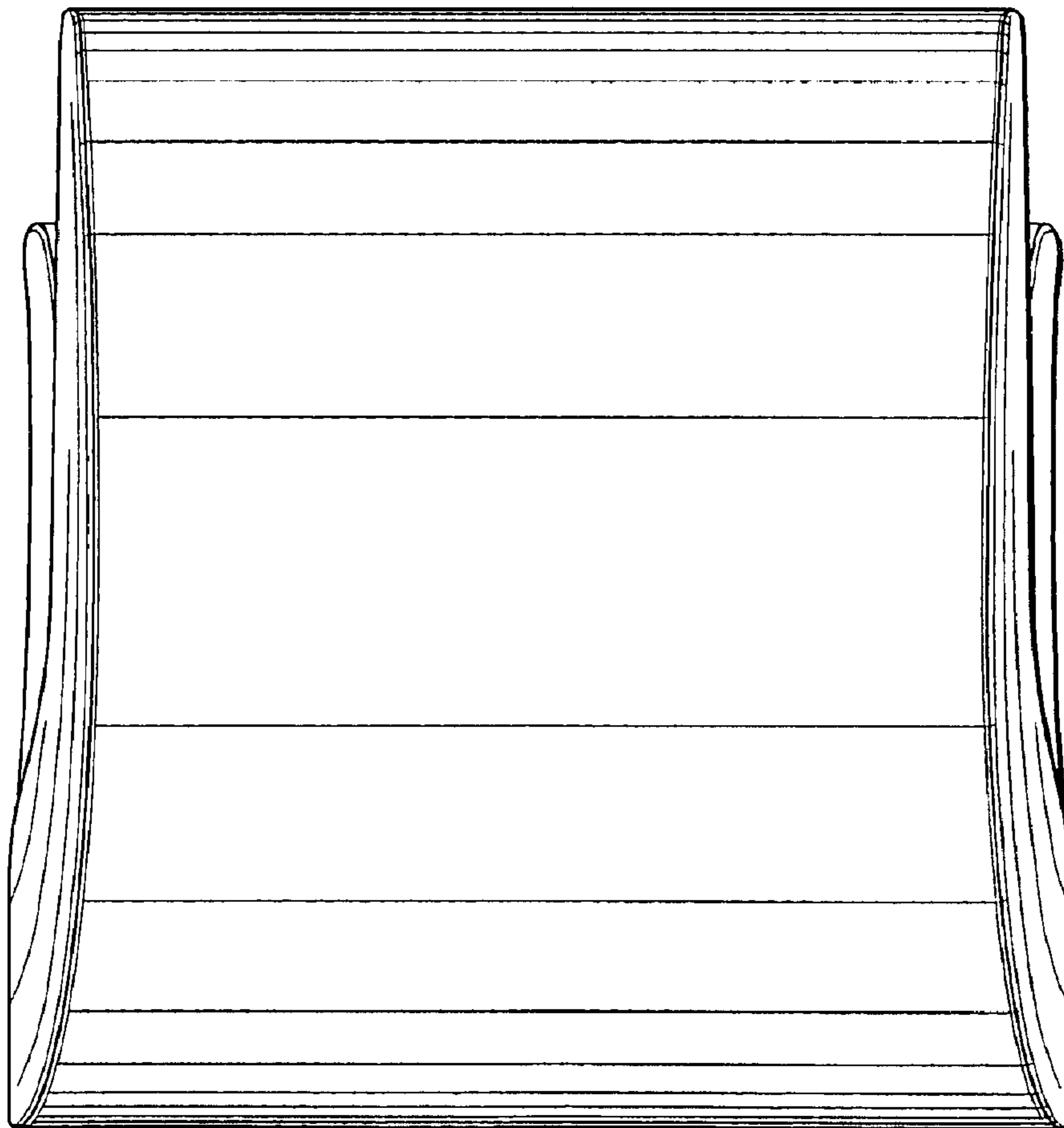


Fig. 6