

US00D506517S

(12) **United States Design Patent**  
**Crippen**

(10) **Patent No.:** **US D506,517 S**

(45) **Date of Patent:** **\*\* Jun. 21, 2005**

(54) **GOLF BALL RAKE/CLAW RETRIEVAL APPARATUS**

*Primary Examiner*—Mitchell Siegel

(74) *Attorney, Agent, or Firm*—Kevin Redmond

(76) **Inventor:** **Brent Crippen**, 1677 SW. Sea Holly Way, Palm City, FL (US) 34990

(57) **CLAIM**

Having described my invention, I claim the ornamental design for a golf ball rake/claw retrieval apparatus, as shown and described.

(\*\*) **Term:** **14 Years**

(21) **Appl. No.:** **29/198,943**

**DESCRIPTION**

(22) **Filed:** **Feb. 9, 2004**

(51) **LOC (8) Cl.** ..... **21-02**

FIG. 1 is an elevational view of the present invention;

FIG. 2 is a left end view of FIG. 1;

(52) **U.S. Cl.** ..... **D21/721; D21/789**

FIG. 3 is a right end view of FIG. 1;

(58) **Field of Search** ..... **D21/721, 789;**

FIG. 4 is a front elevational view of FIG. 1;

**294/19.2, 110.1**

FIG. 5 is an elevational view of a second embodiment of the invention of disclosed in FIG. 1; the rake is disclosed in an alternate position;

(56) **References Cited**

**U.S. PATENT DOCUMENTS**

1,696,817 A \* 12/1928 St. John ..... 294/19.2

FIG. 6 is a left end view of FIG. 5;

1,723,091 A \* 8/1929 St. John ..... 294/19.2

FIG. 7 is a front elevational view of FIG. 5;

2,551,486 A \* 5/1951 Burden ..... 294/19.2

FIG. 8 is a reduced elevational view of FIG. 1; the broken line showing of a is for illustrative purposes only and forms no part of the claimed design; and,

3,306,650 A \* 2/1967 Zagwyn ..... 294/24

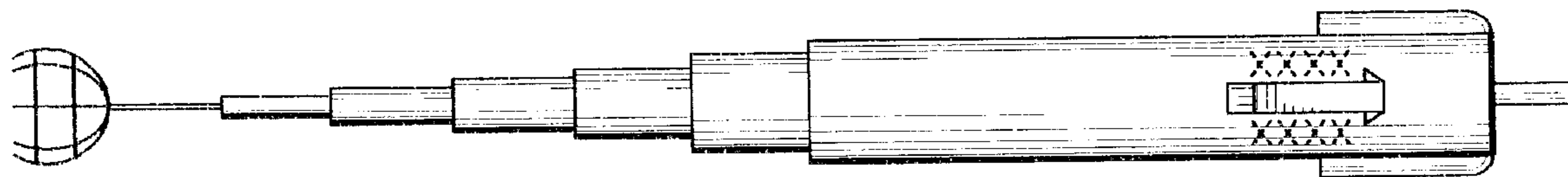
FIG. 9 is an enlarged elevational view of FIG. 8.

D239,639 S \* 4/1976 Clarke ..... D21/721

4,733,681 A \* 3/1988 Lee ..... 135/16

\* cited by examiner

**1 Claim, 3 Drawing Sheets**



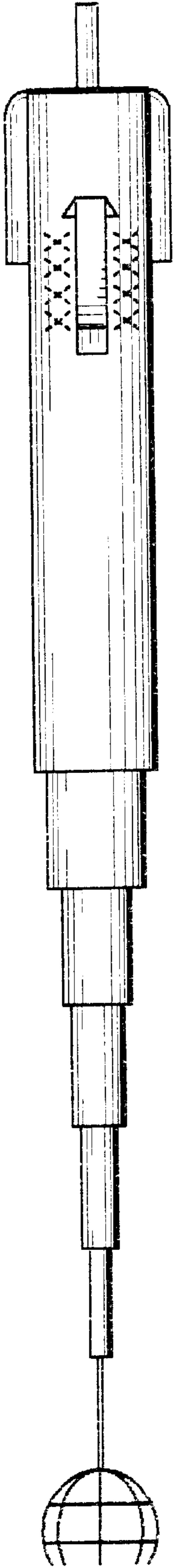


Fig. 1

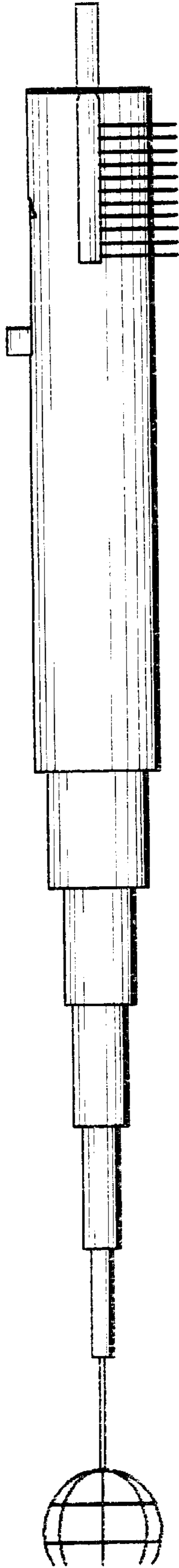


Fig. 4

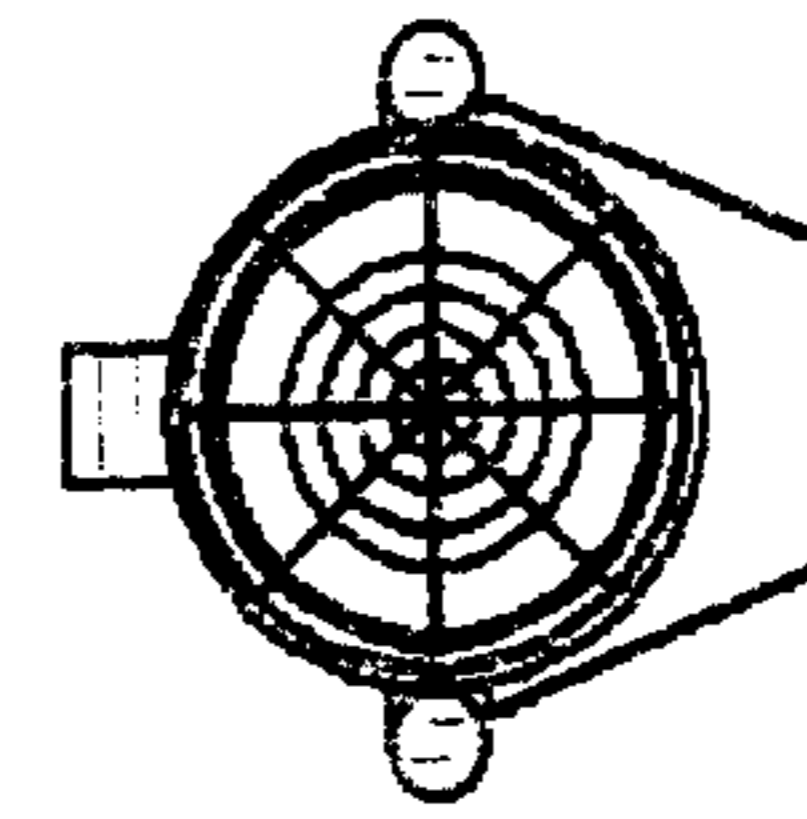


Fig. 2

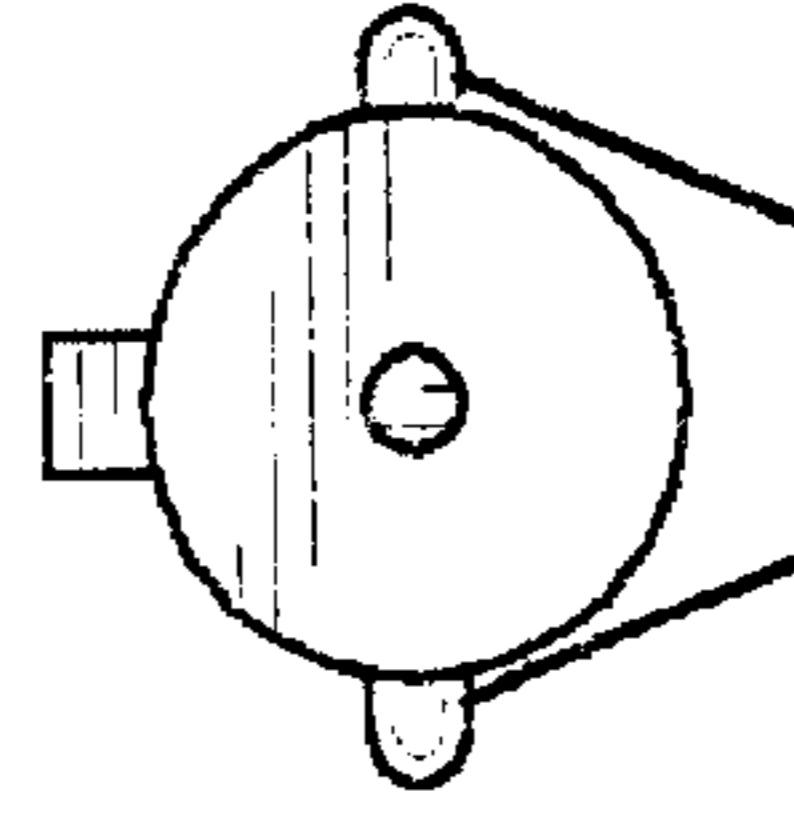
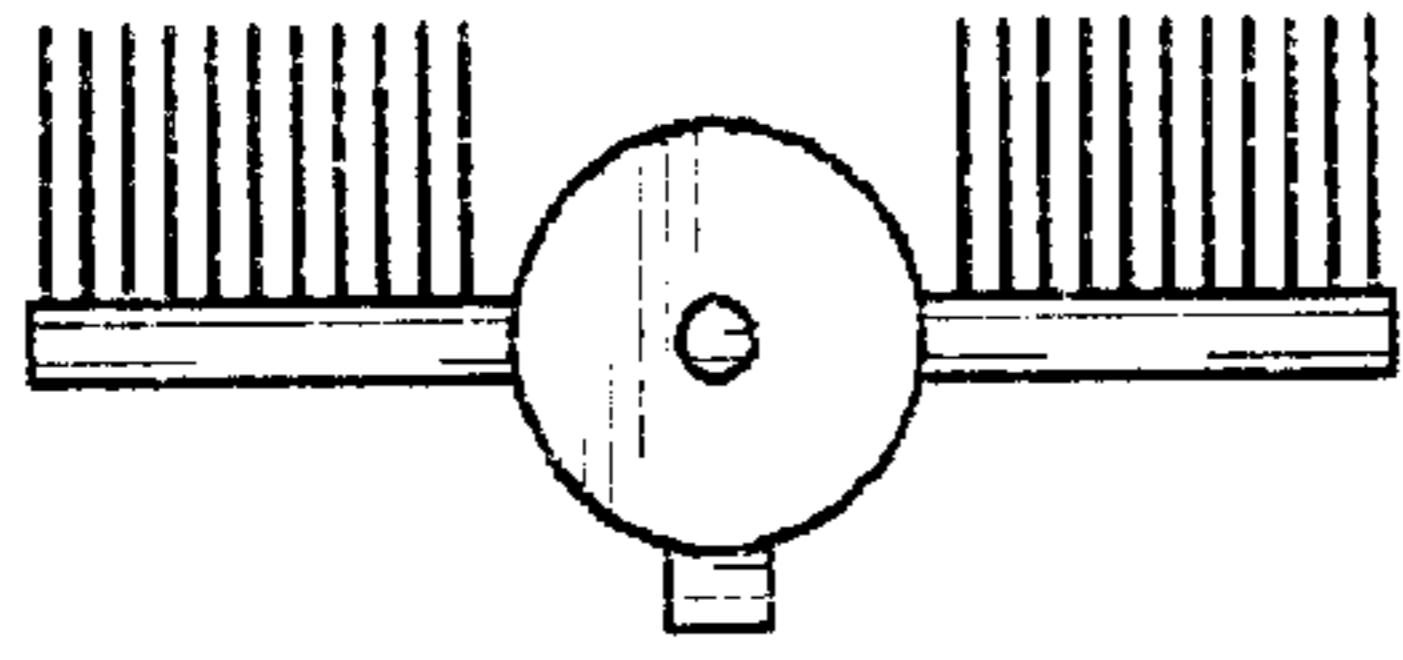
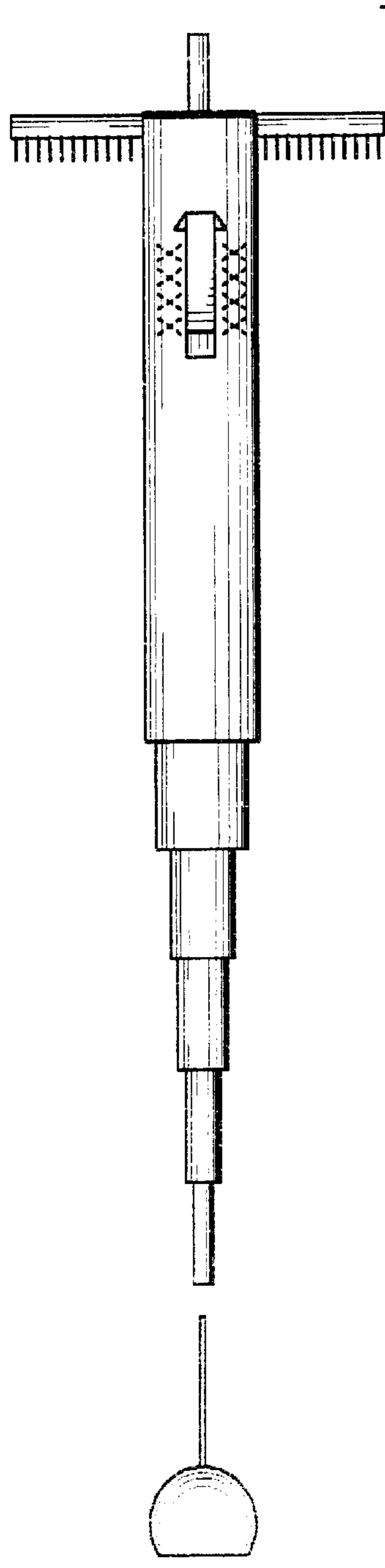


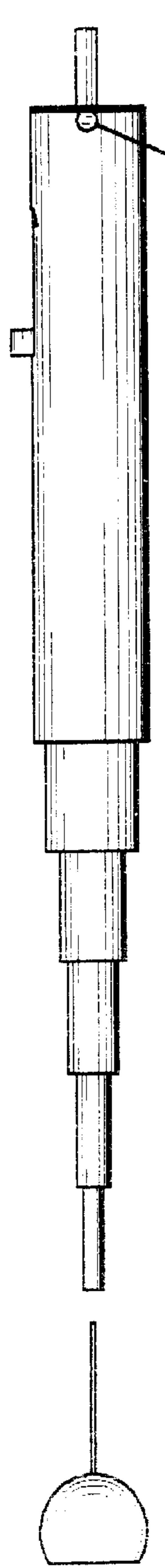
Fig. 3



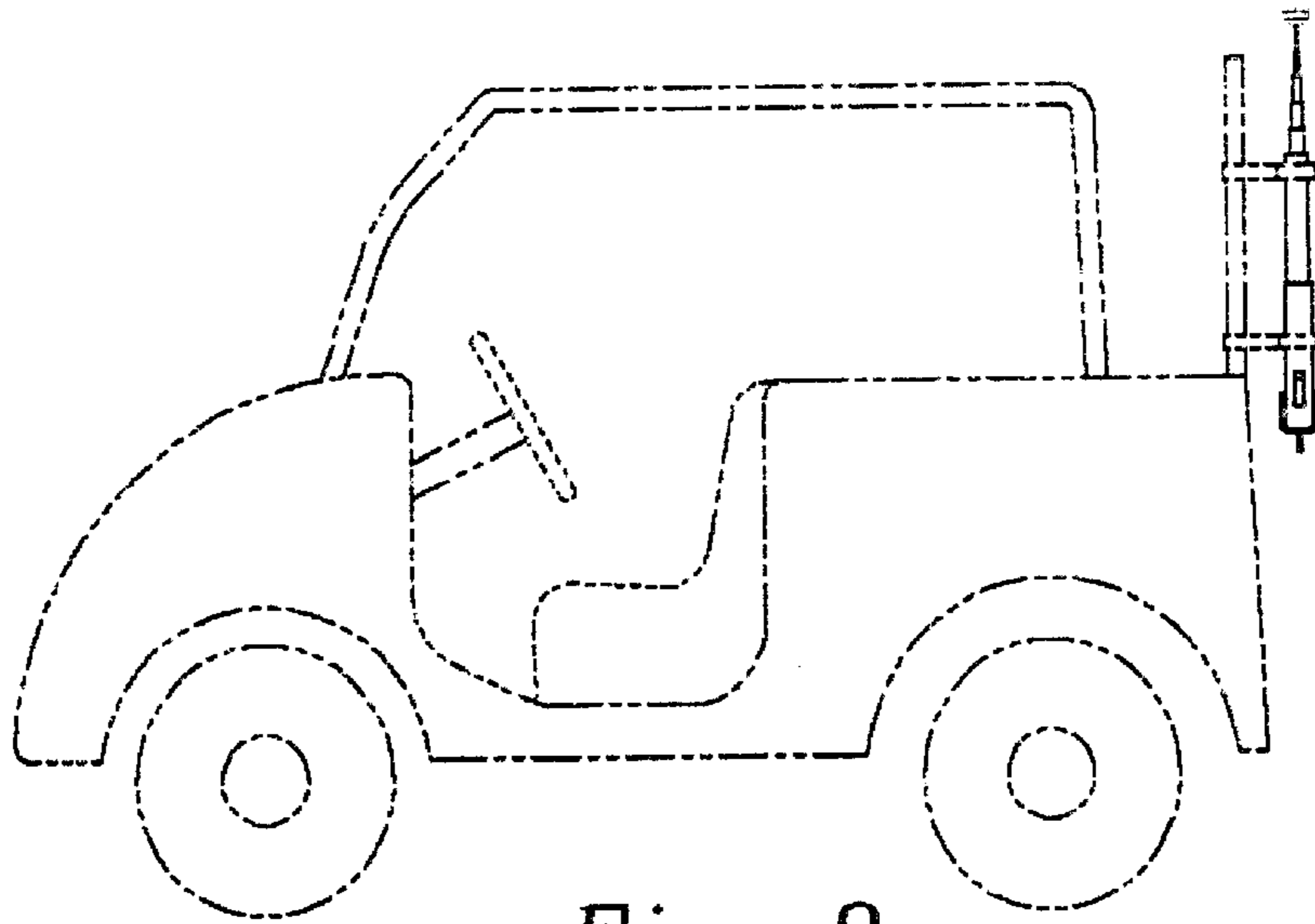
*Fig. 6*



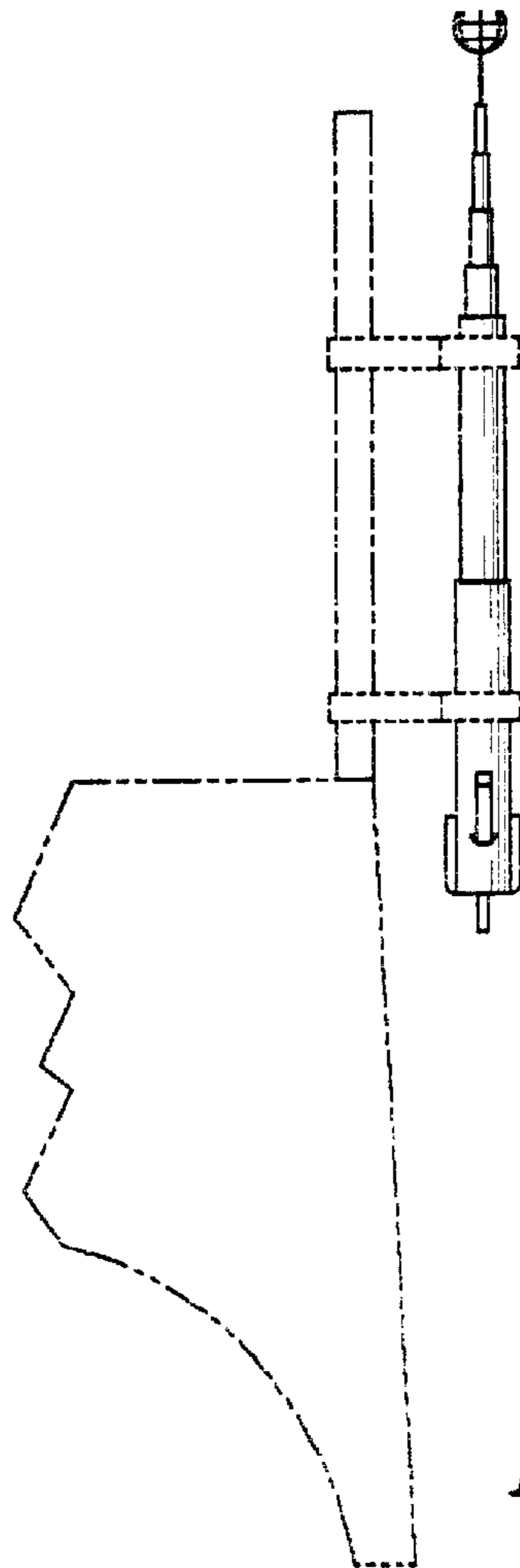
*Fig. 5*



*Fig. 7*



*Fig. 8*



*Fig. 9*