

US00D506516S

(12) **United States Design Patent**  
**Yang**

(10) **Patent No.:** **US D506,516 S**  
(45) **Date of Patent:** **\*\* Jun. 21, 2005**

- (54) **DUMBBELL RACK ASSEMBLY**
- (75) Inventor: **Steve Yang**, Mansfield, MA (US)
- (73) Assignee: **Linex Corporation**, Sharon, MA (US)
- (\*\*) Term: **14 Years**
- (21) Appl. No.: **29/197,180**
- (22) Filed: **Jan. 12, 2004**
- (51) **LOC (8) Cl.** ..... **21-02**
- (52) **U.S. Cl.** ..... **D21/694; D21/691; D21/686;**  
D6/552
- (58) **Field of Search** ..... D21/662, 686,  
D21/691, 694; D6/462, 463, 468, 552;  
482/104, 148; 211/85, 71, 64

(56) **References Cited**

**U.S. PATENT DOCUMENTS**

D295,809 S	*	5/1988	Green	.....	D6/468
D329,563 S	*	9/1992	Rasmussen	.....	D6/552
D362,776 S	*	10/1995	Thorn	.....	D6/552
5,630,776 A	*	5/1997	Yang	.....	482/104
6,014,078 A	*	1/2000	Rojas et al.	.....	340/568.6
D424,141 S	*	5/2000	Eckmann	.....	D21/686
D455,310 S	*	4/2002	Webber	.....	D6/552

**OTHER PUBLICATIONS**

American 3B Science Catalog, 2003, p. 64, Dumbbell Racks, Found on Google Catalogs.\*  
 Medco Catalog, 2002, p. 72, Dumbbell Racks, Found on Google Catalogs Search engine.\*

Strength Systems Catalog, 2001-02, p. 43, Dumbbell Racks, Found on Google Catalogs Search engine.\*

\* cited by examiner

*Primary Examiner*—Philip S. Hyder  
(74) *Attorney, Agent, or Firm*—Lowrie, Lando & Anastasi, LLC

(57) **CLAIM**

The ornamental design for a dumbbell rack assembly, as shown and described.

**DESCRIPTION**

FIG. 1 is a perspective view of a dumbbell rack assembly showing my new design, with broken line representations of features for the dumbbell rack assembly forming no part of the claimed design;

FIG. 2 is a front view thereof;

FIG. 3 is a rear view thereof;

FIG. 4 is a side view thereof;

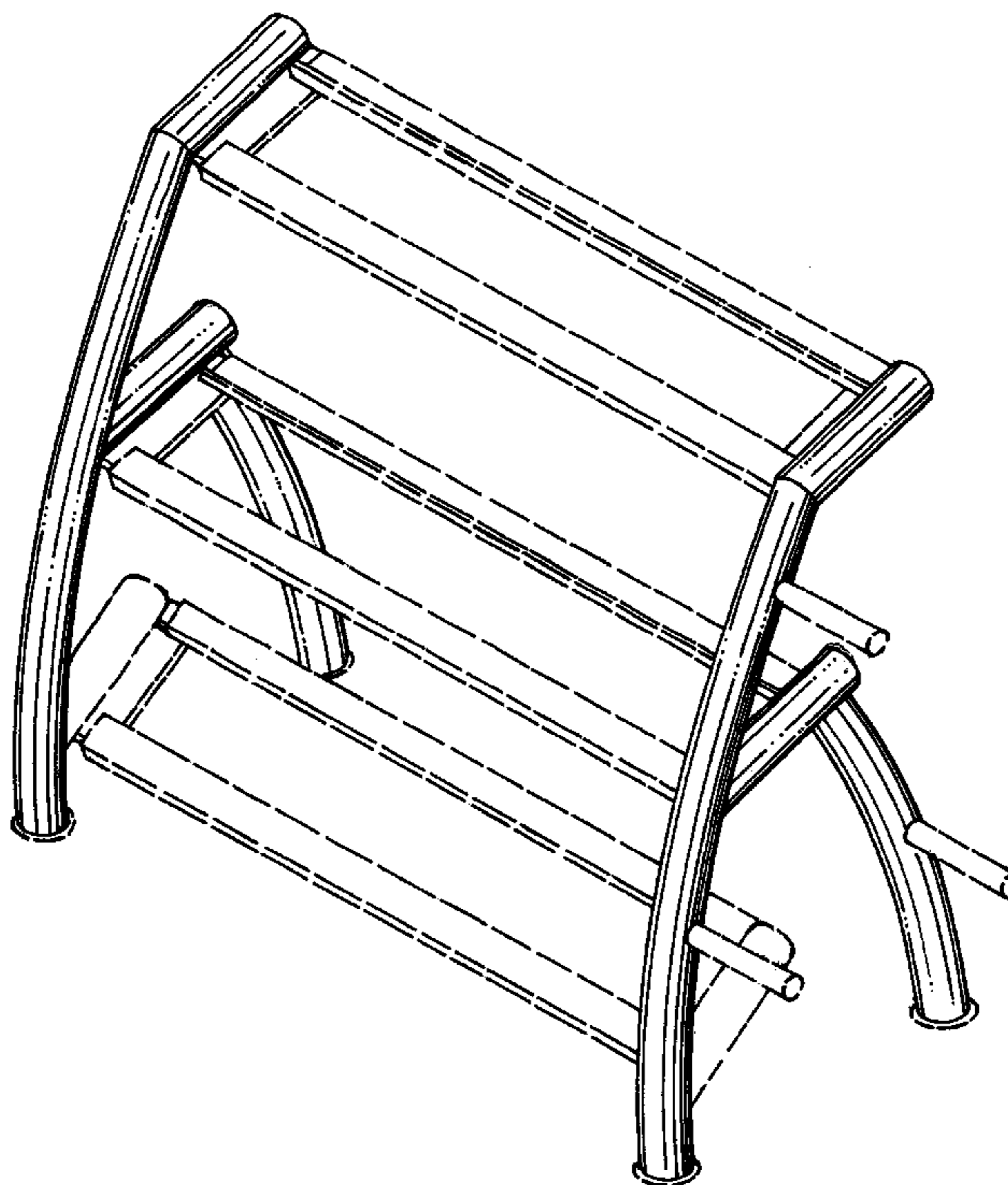
FIG. 5 is a side view thereof;

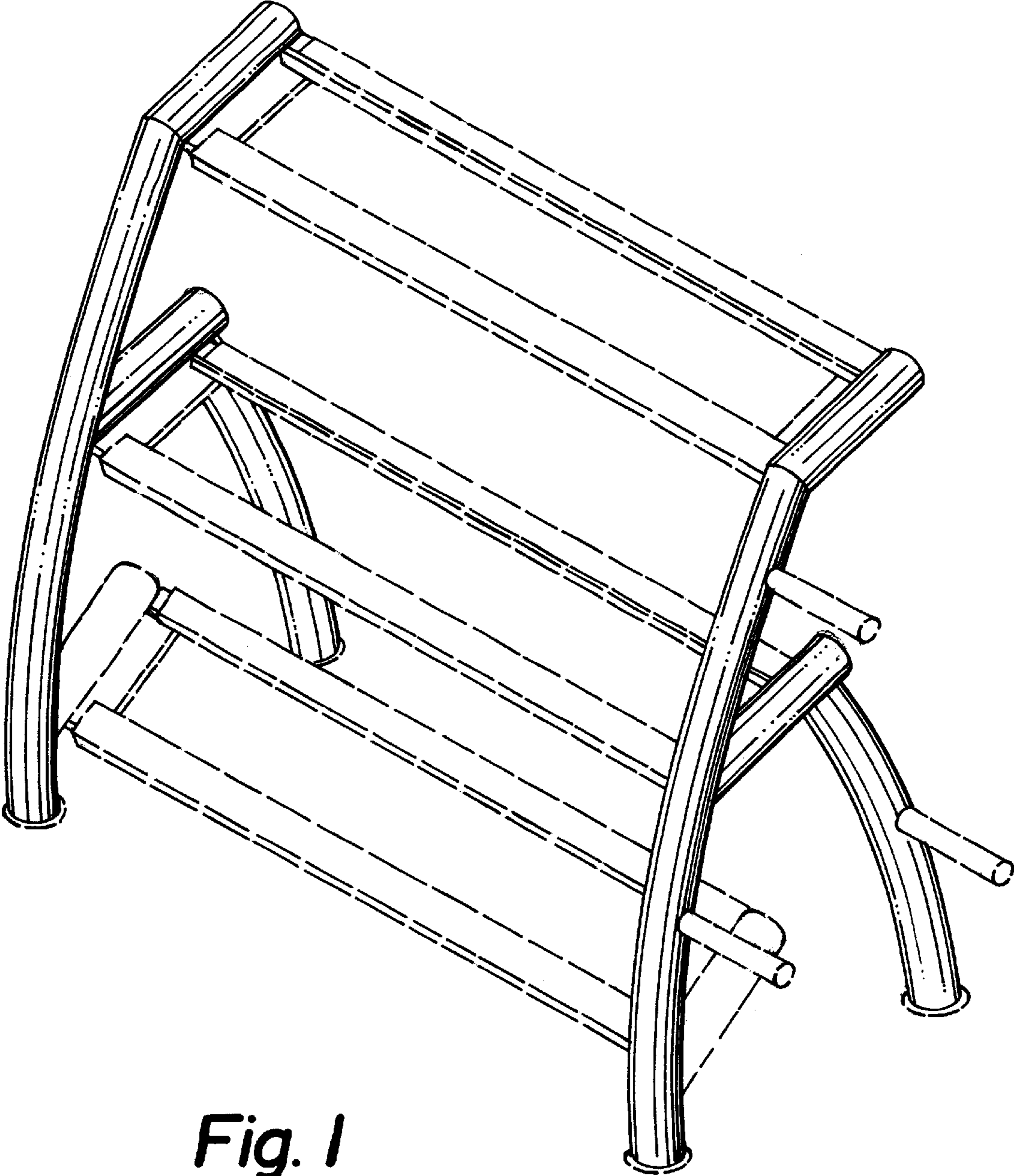
FIG. 6 is a top view thereof; and,

FIG. 7 is a bottom view thereof.

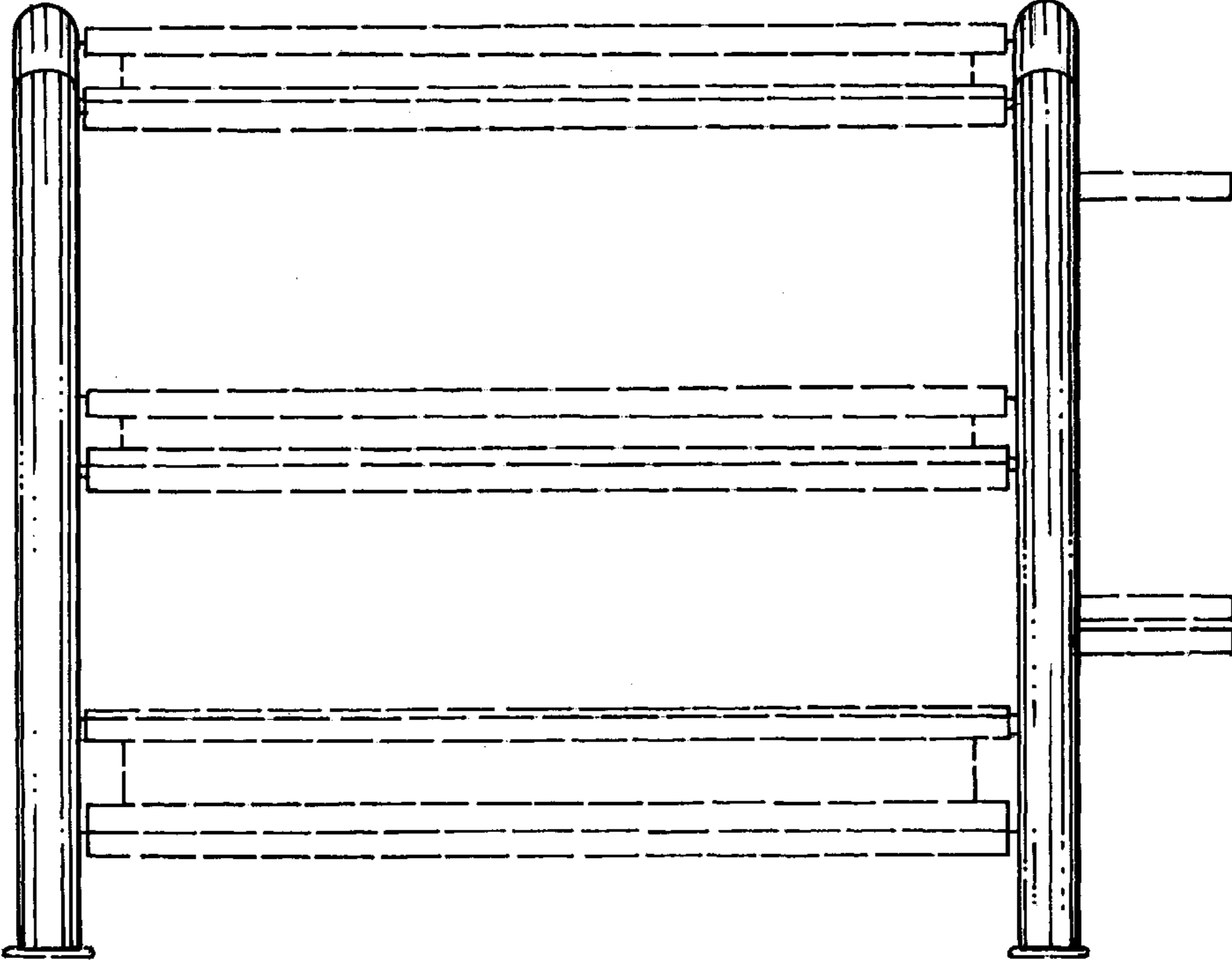
The broken line showings of portions of the dumbbell rack assembly in FIGS. 1-7 are for illustrative purposes only and form no part of the claimed design.

**1 Claim, 4 Drawing Sheets**

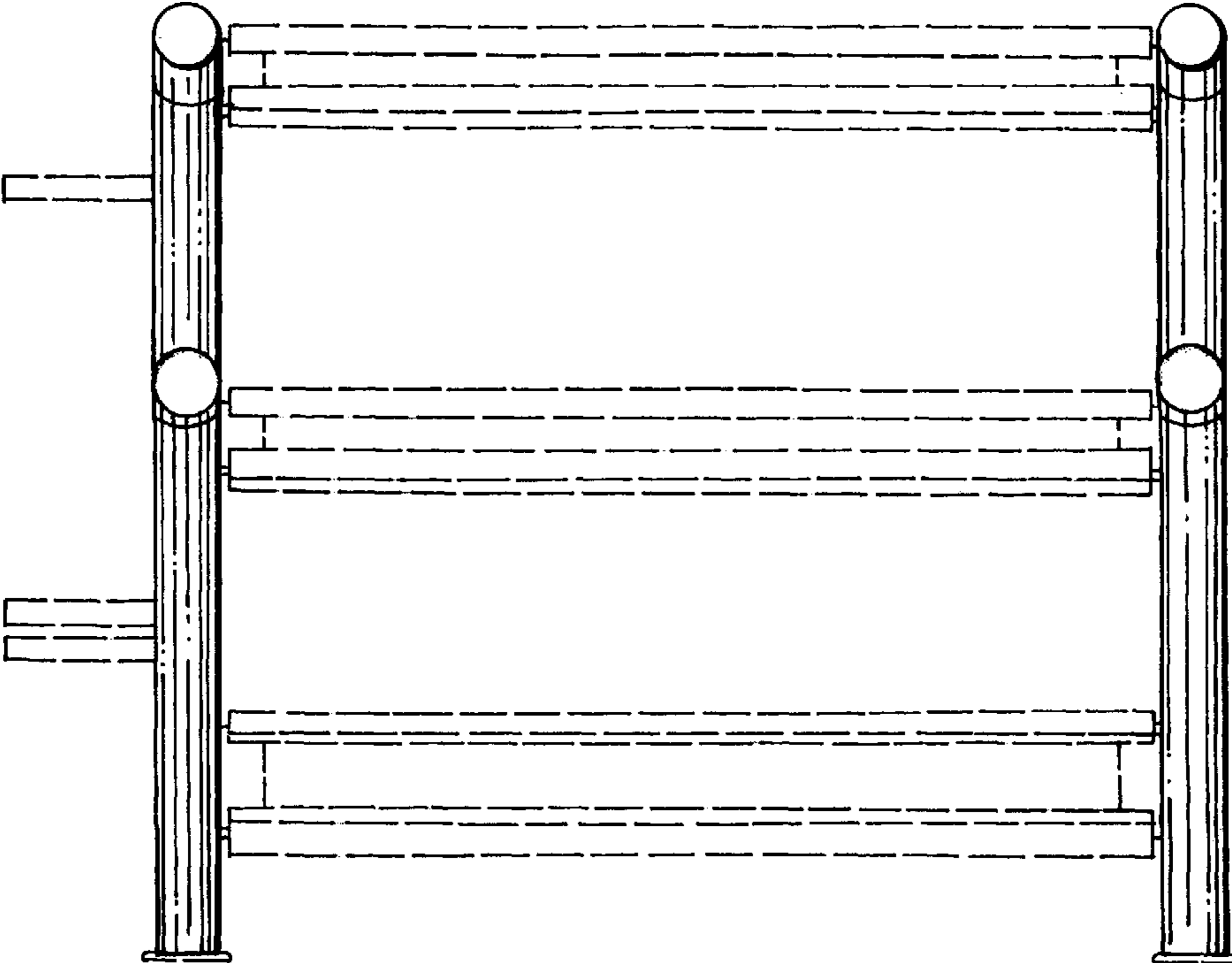




*Fig. 1*

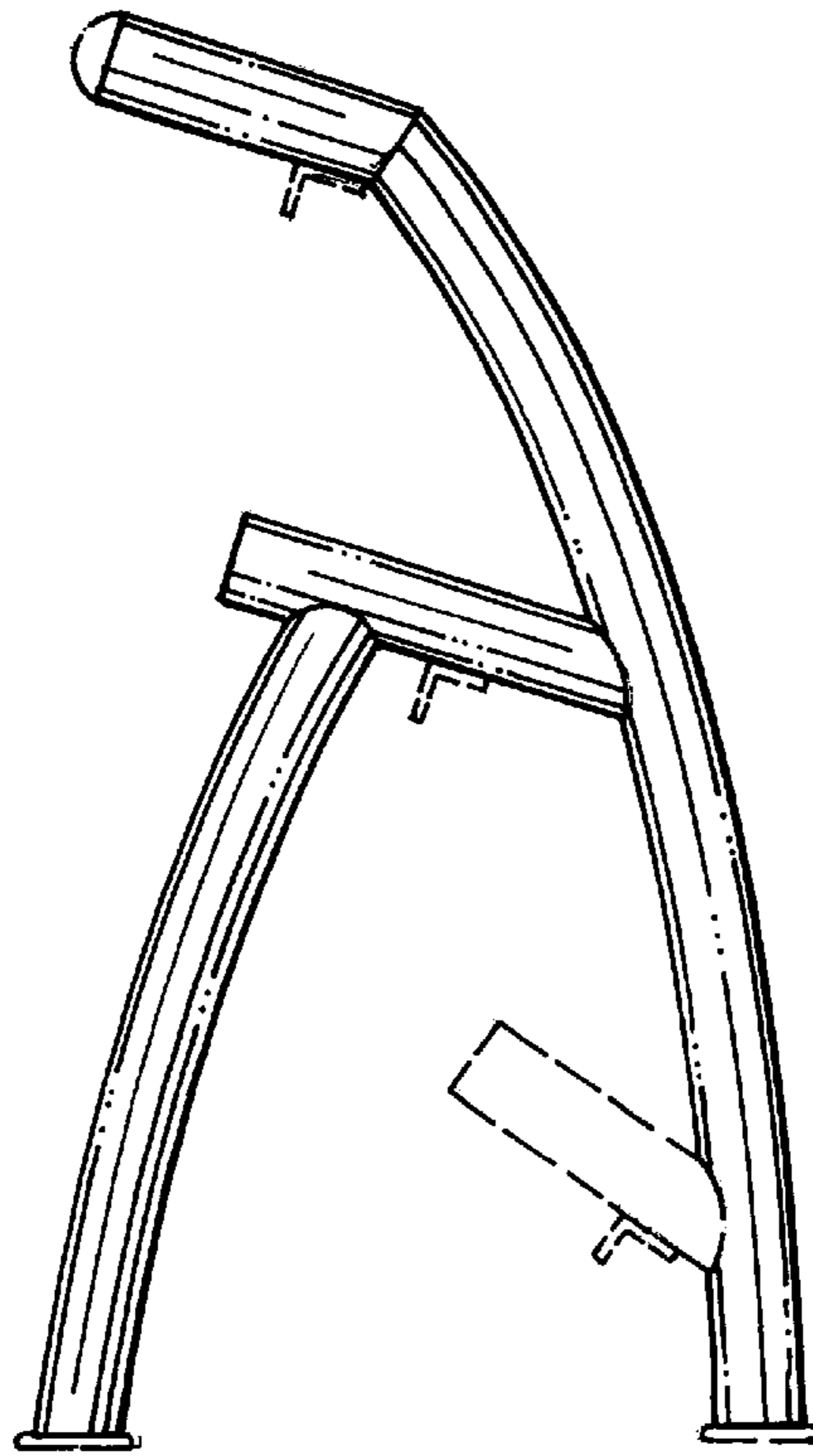


*Fig. 2*

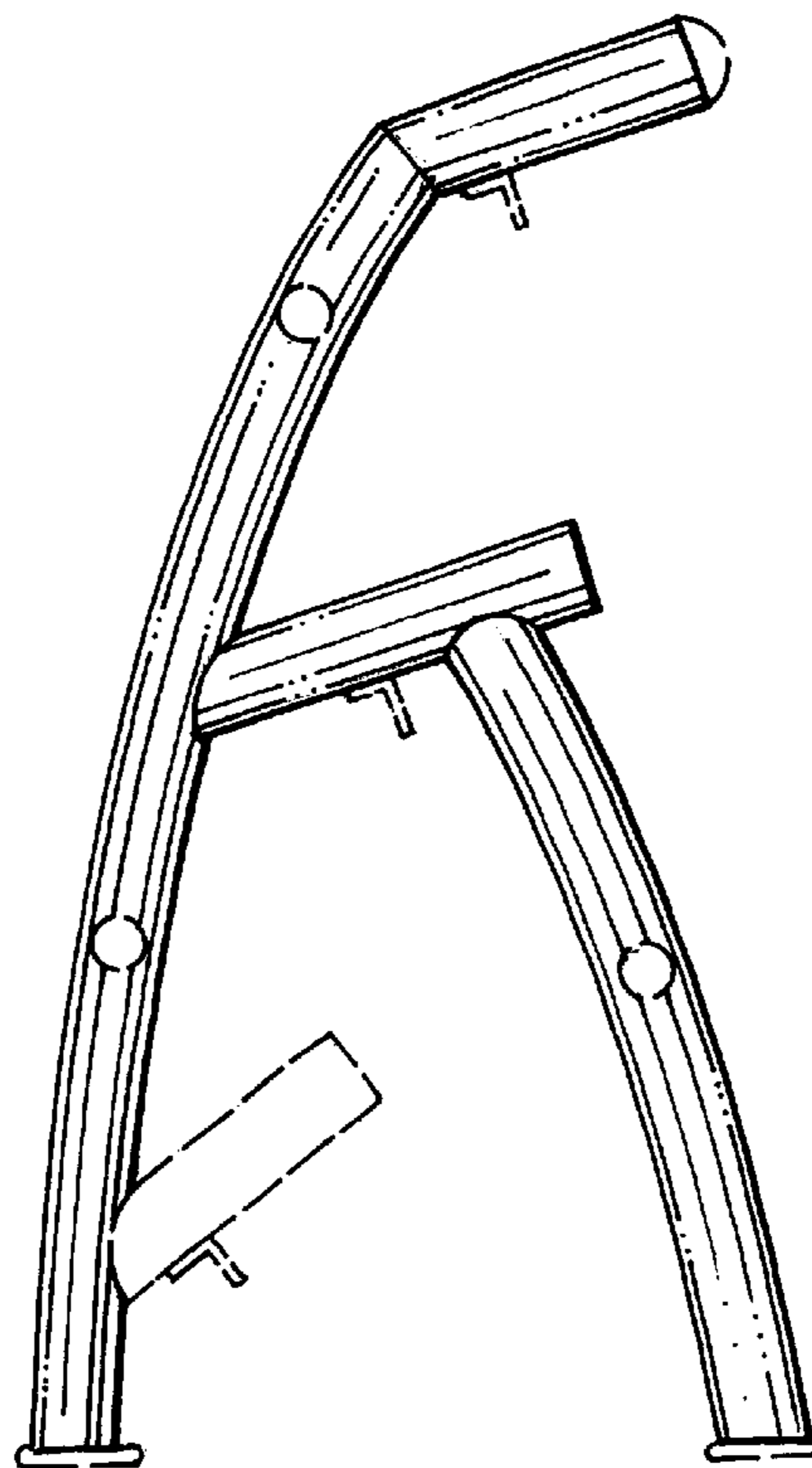


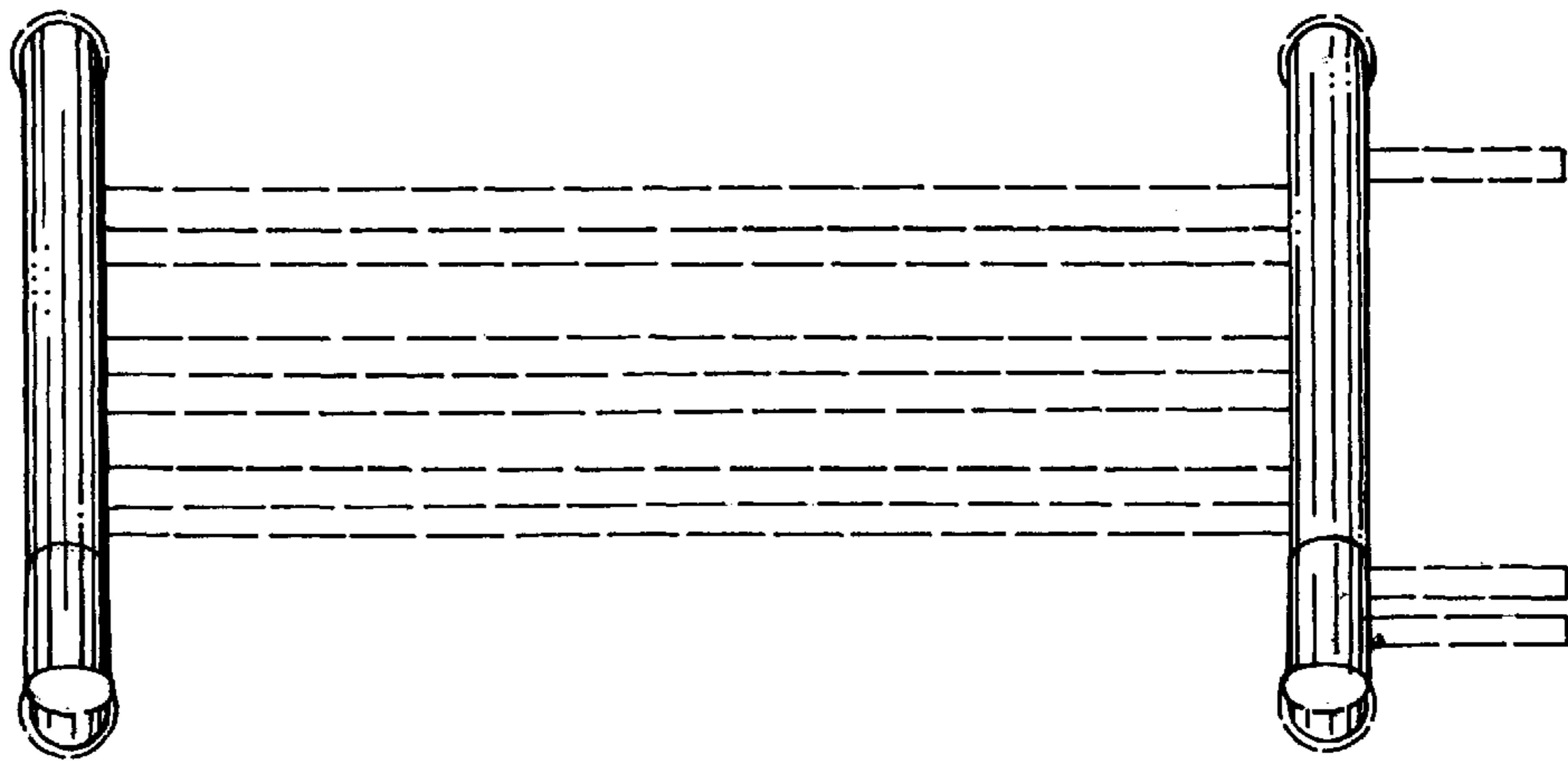
*Fig. 3*

*Fig. 4*

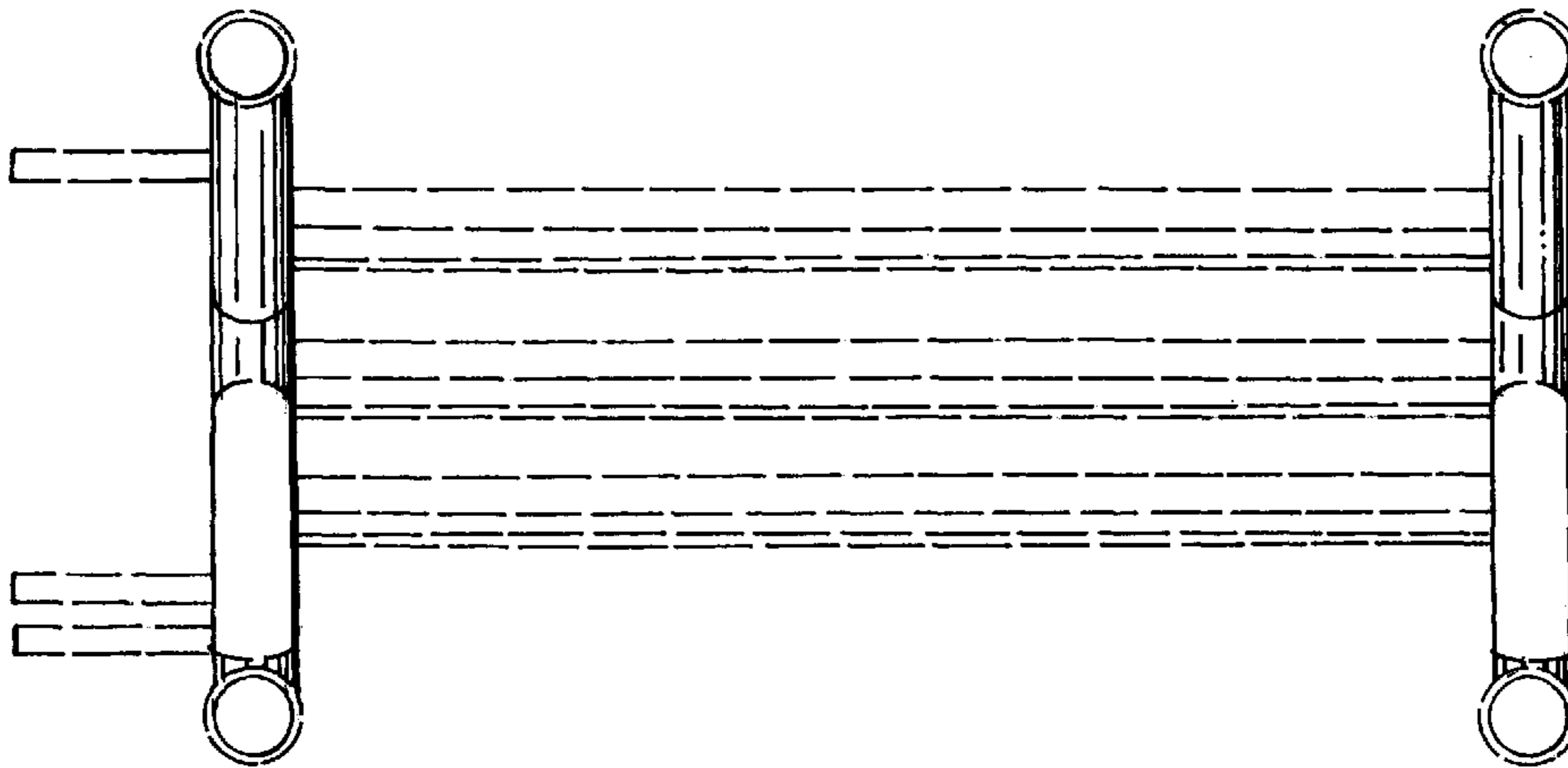


*Fig. 5*





*Fig. 6*



*Fig. 7*