



US00D506512S

(12) **United States Design Patent**  
**Raspberry**

(10) **Patent No.:** **US D506,512 S**  
(45) **Date of Patent:** **\*\* Jun. 21, 2005**

(54) **CHILD RIDABLE TOY VEHICLE WITH  
REMOTE CONTROL**

D483,079 S \* 12/2003 Wang et al. .... D21/425  
6,679,753 B1 \* 1/2004 Motosko ..... 446/454

(76) Inventor: **Patricia K. Raspberry**, 1090 Jonestown  
Rd., Dover, NC (US) 28526

\* cited by examiner

*Primary Examiner*—Raphael Barkai

(\*\*) Term: **14 Years**

(57) **CLAIM**

(21) Appl. No.: **29/202,680**

The ornamental design for a child rideable toy vehicle with remote control, as shown and described.

(22) Filed: **Apr. 5, 2004**

**DESCRIPTION**

(51) **LOC (8) Cl.** ..... **21-01**

(52) **U.S. Cl.** ..... **D21/433**

(58) **Field of Search** ..... D21/419-435,  
D21/533-539, 548-551; D12/1, 16, 87-88;  
446/424-425, 427, 433, 450, 454, 456-457,  
465, 470-471; 280/87.01, 87.021

FIG. 1 is a left side view of a child rideable toy vehicle with remote control showing my new design.

FIG. 2 is a right side view of the child rideable toy vehicle with remote control.

FIG. 3 is a front side view of the child rideable toy vehicle with remote control.

FIG. 4 is a back side view of the child rideable toy vehicle with remote control.

FIG. 5 is a top view of the child rideable toy vehicle with remote control; and,

FIG. 6 is a bottom view of the child rideable toy vehicle with remote control.

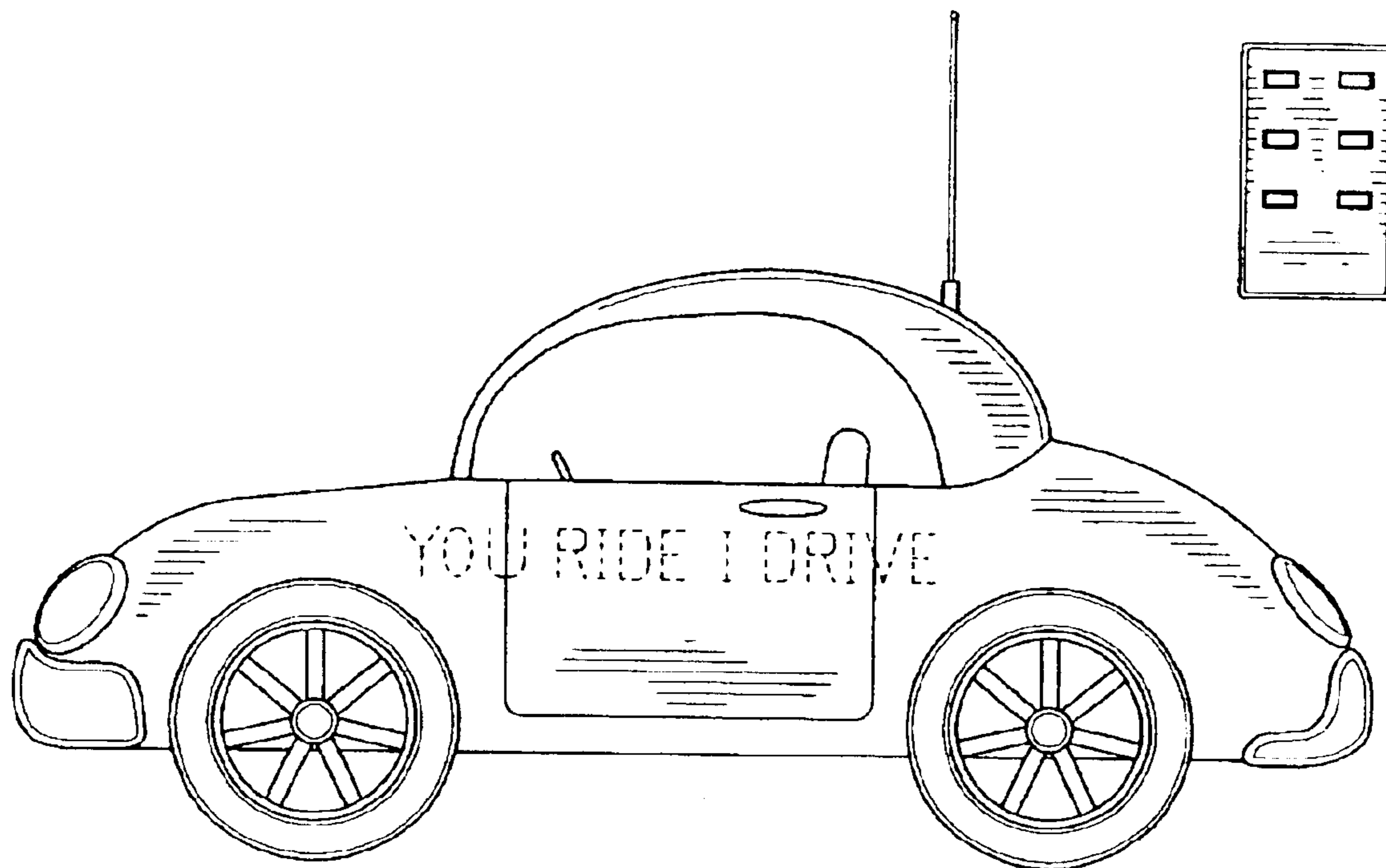
The broken lines shown in FIGS. 1 and 2 are for illustrative purposes only and form no part of the claimed design.

(56) **References Cited**

**U.S. PATENT DOCUMENTS**

1,991,654 A	*	2/1935	Brubaker	.....	446/471
D296,224 S	*	6/1988	Nakao et al.	.....	D21/548
5,334,075 A	*	8/1994	Kakizaki et al.	.....	446/456
D361,800 S	*	8/1995	Lenihan	.....	D21/548
D370,943 S	*	6/1996	Maxwell et al.	.....	D21/433
D381,710 S	*	7/1997	Kato	.....	D21/548
D405,846 S	*	2/1999	Walter	.....	D21/433

**1 Claim, 3 Drawing Sheets**



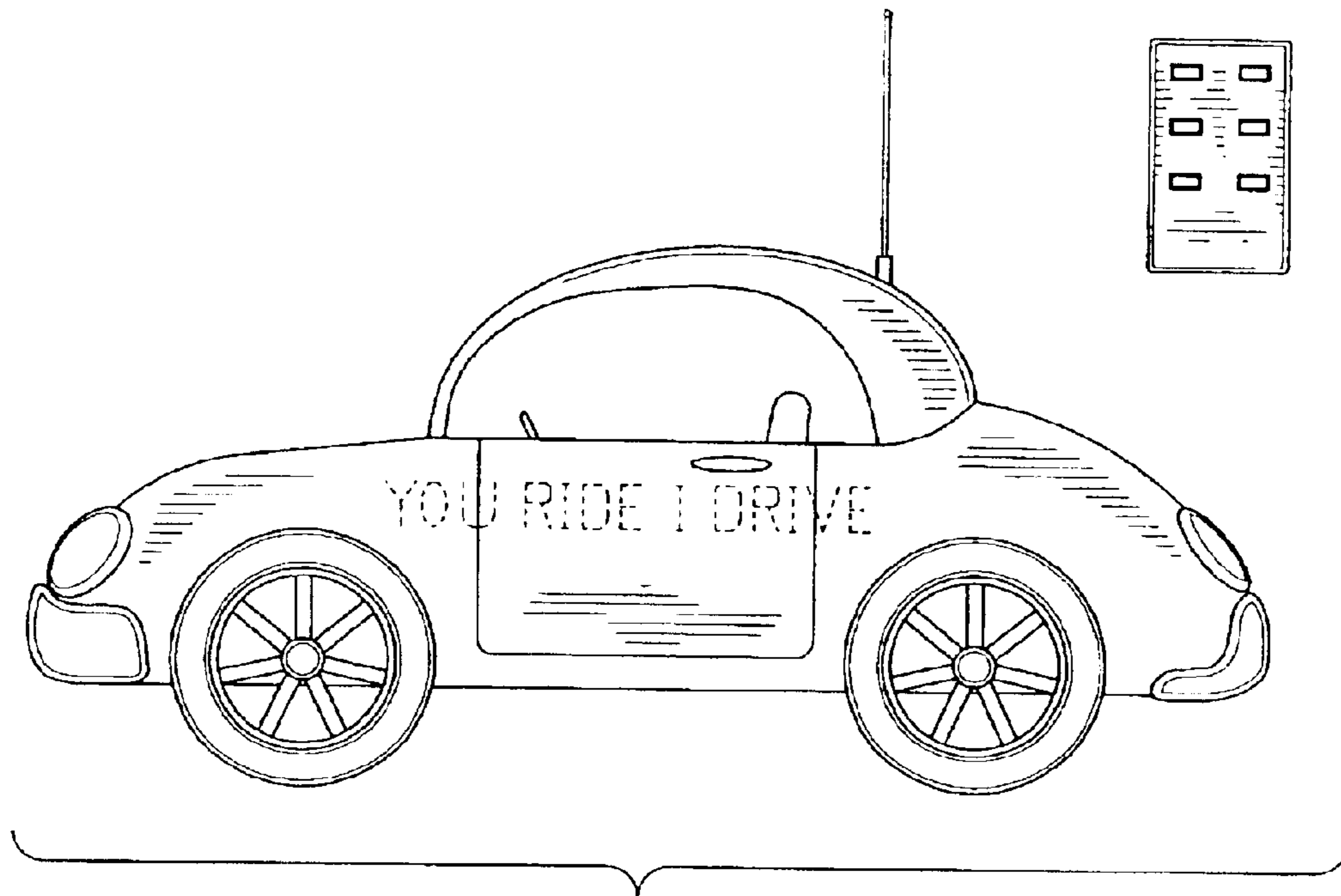


FIG. 1

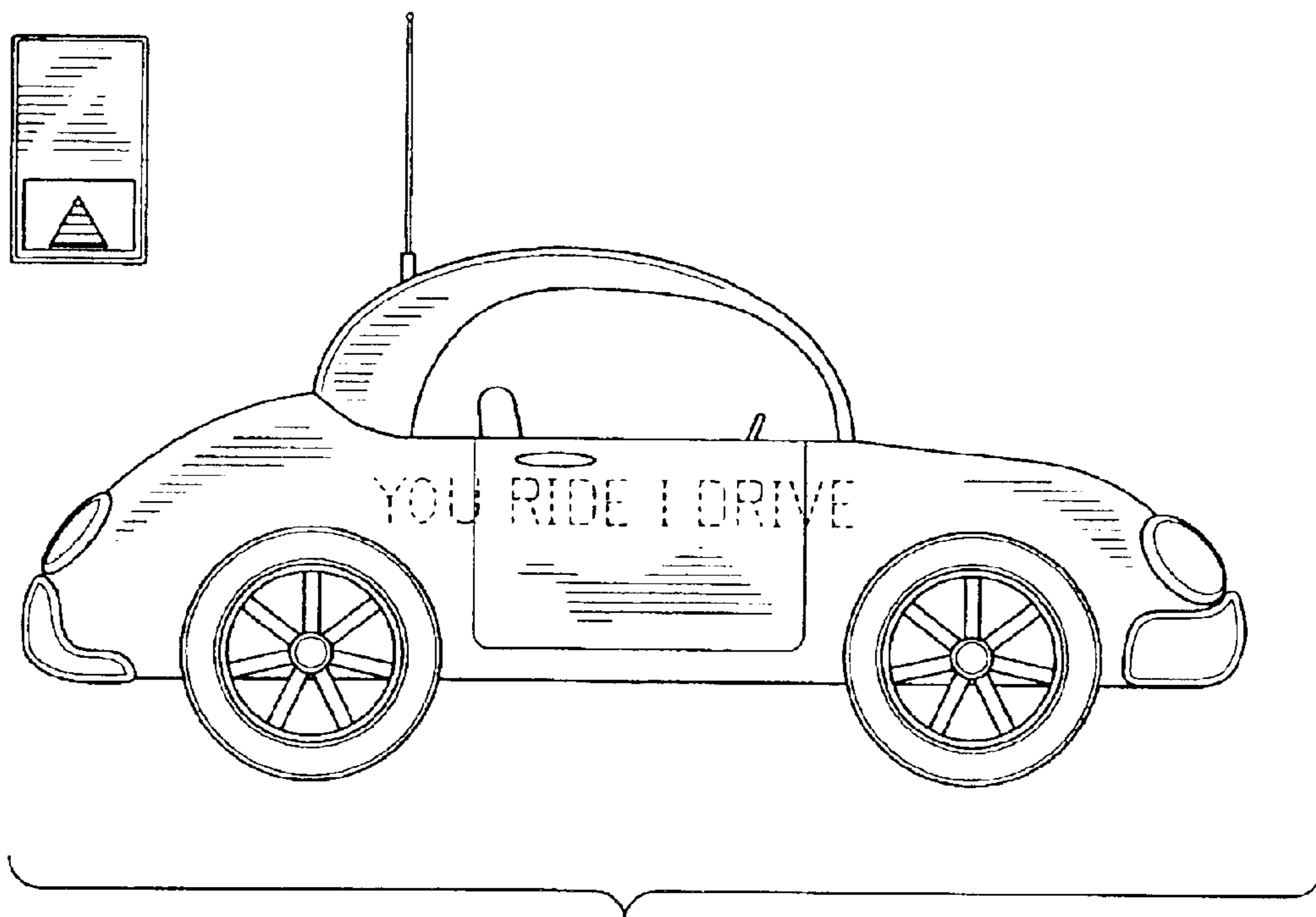


FIG. 2

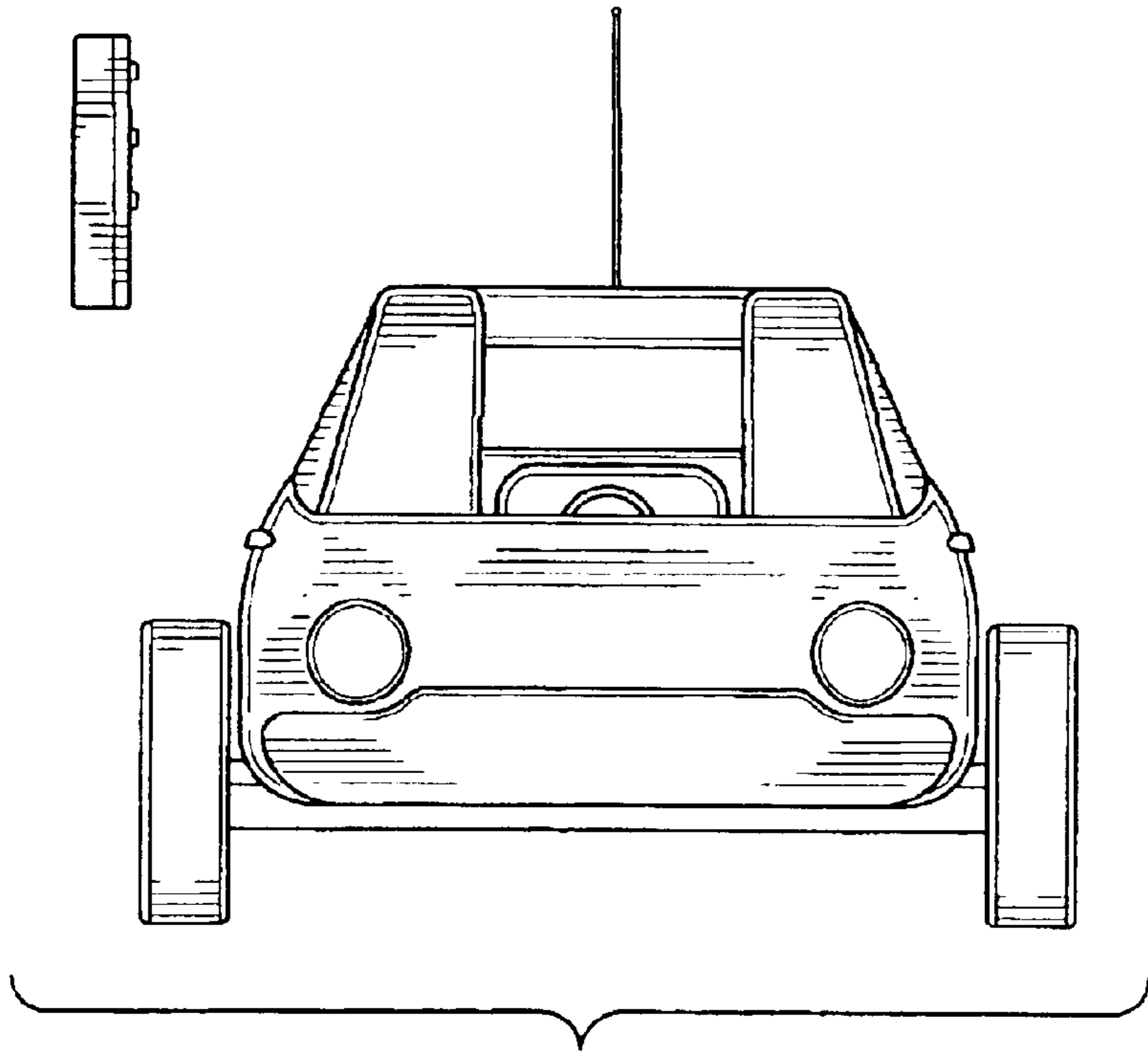


FIG.3

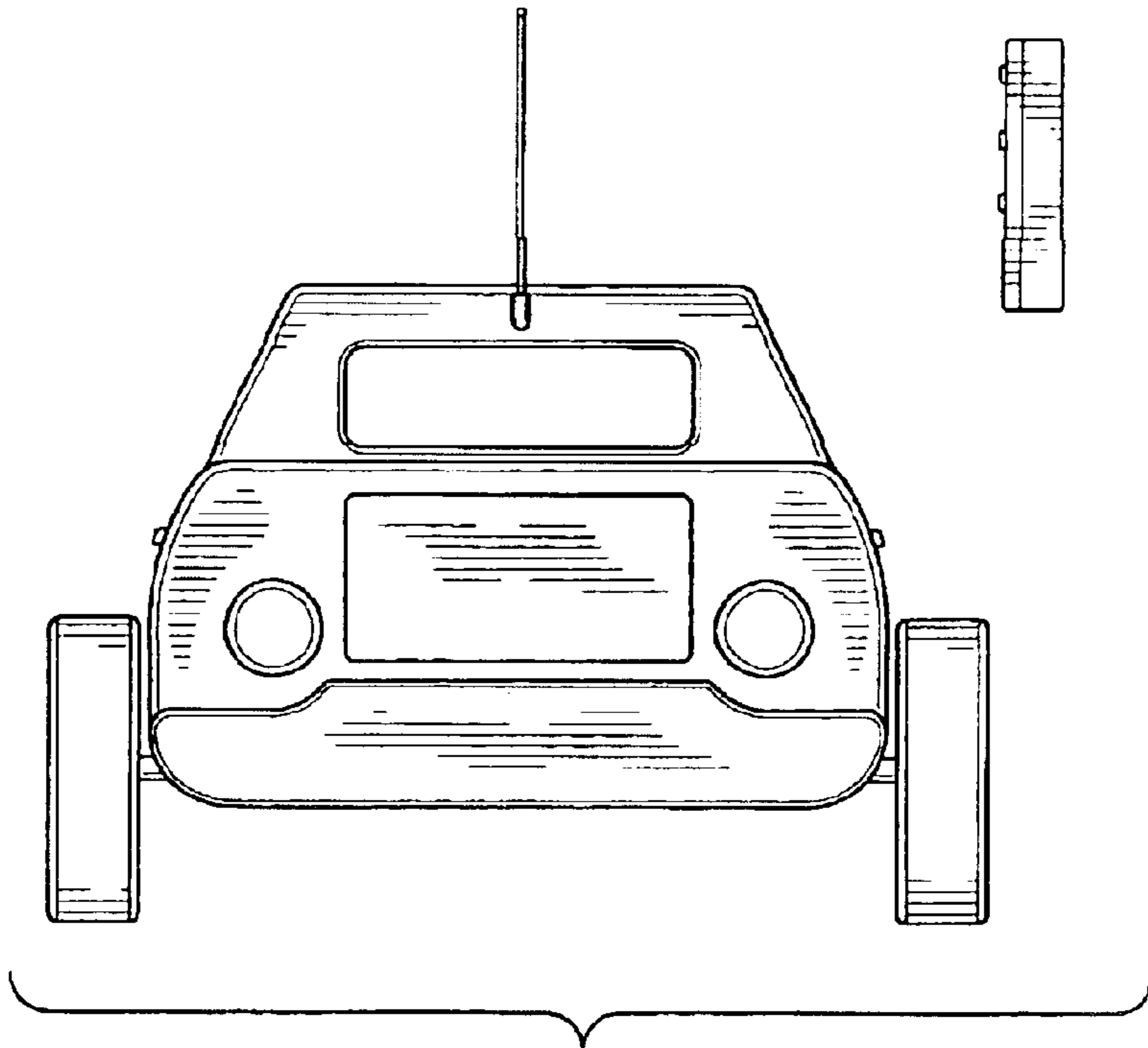


FIG.4

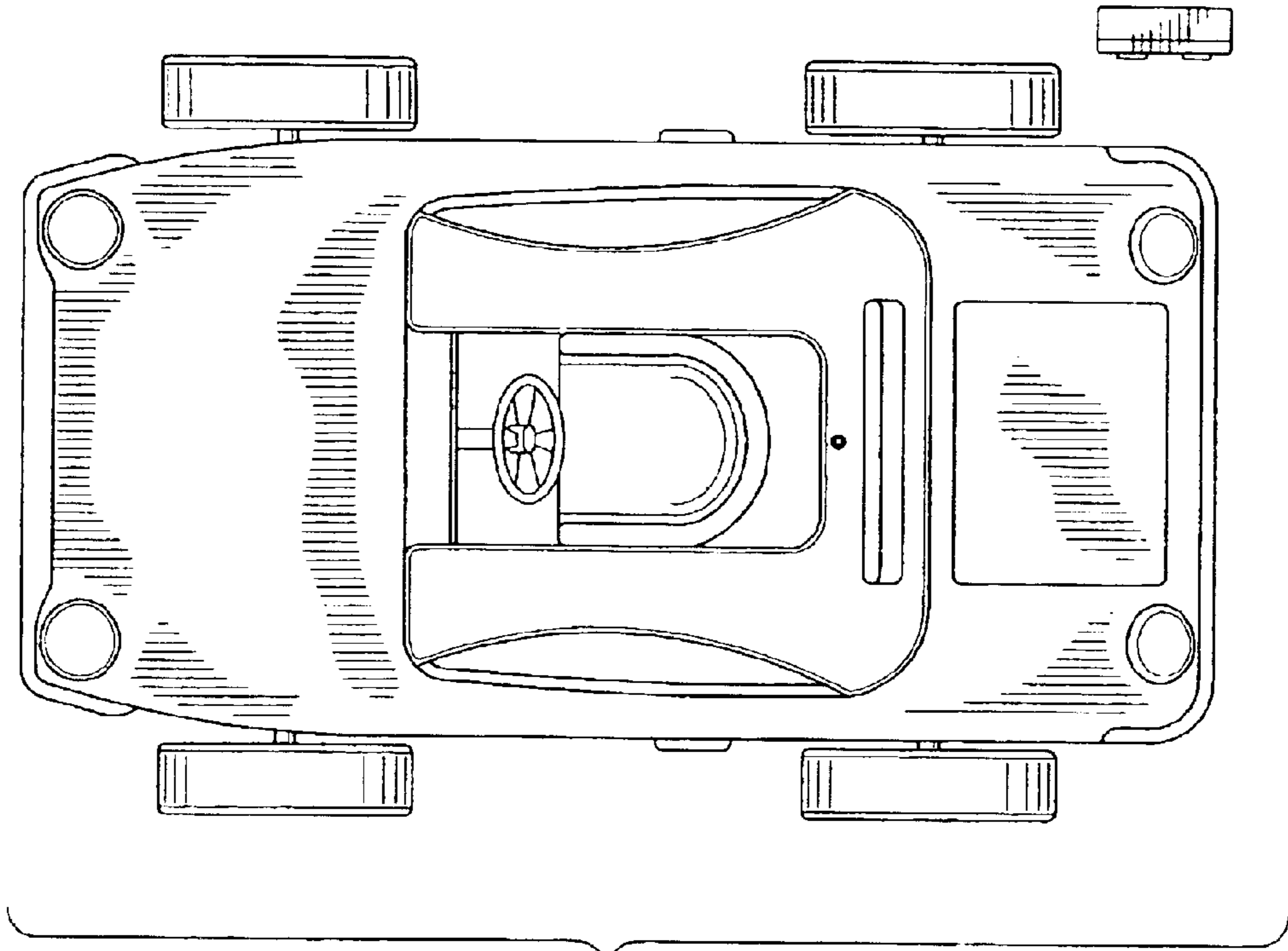


FIG.5

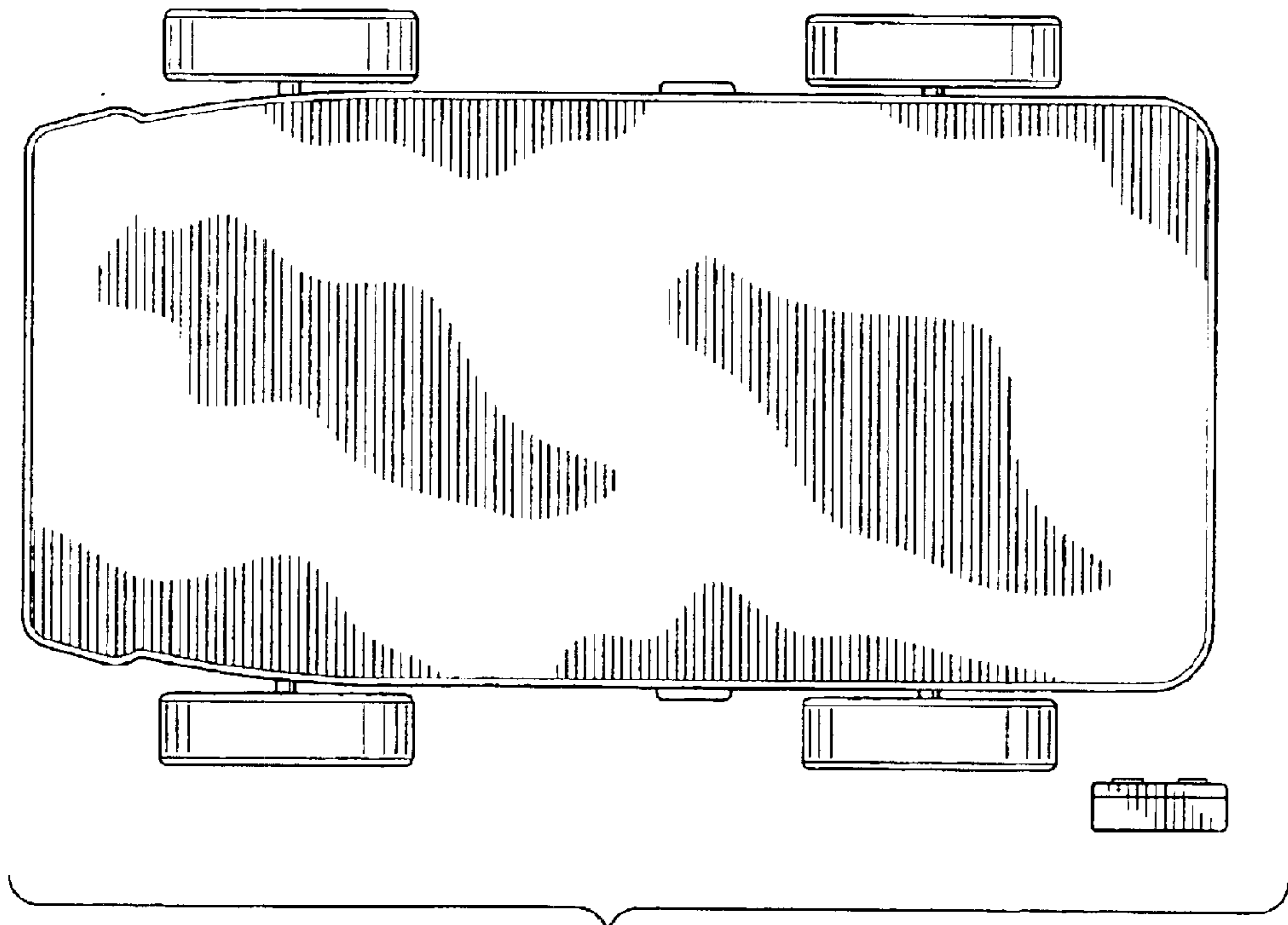


FIG.6