



US00D506497S

(12) **United States Design Patent**  
**Huebler**

(10) **Patent No.: US D506,497 S**

(45) **Date of Patent: \*\* Jun. 21, 2005**

(54) **FRANKING MACHINE**

(75) Inventor: **Uwe Huebler**, Neuenhagen (DE)

(73) Assignee: **Francotyp Postalia AG & Co. KG**,  
Birkenwerder (DE)

(\*\*) Term: **14 Years**

(21) Appl. No.: **29/175,304**

(22) Filed: **Feb. 3, 2003**

(30) **Foreign Application Priority Data**

Aug. 2, 2002 (DE) ..... 402 06 409.7

(51) **LOC (8) Cl. .... 18-02**

(52) **U.S. Cl. .... D18/51**

(58) **Field of Search** ..... D18/50, 51, 99,  
D18/86; D15/199; 101/5, 47, 53, 49; 235/375;  
346/9-11, 76.1; 229/800; 705/407, 406

(56) **References Cited**

**U.S. PATENT DOCUMENTS**

3,133,700 A \* 5/1964 Schaerer et al. .... 235/101  
D263,152 S \* 2/1982 Bergerioux ..... D18/51  
D361,780 S \* 8/1995 Jenkins ..... D18/51  
D414,798 S \* 10/1999 Brooks et al. .... D18/51

D421,454 S \* 3/2000 Thraikill et al. .... D18/51  
D463,486 S \* 9/2002 Hetzer ..... D18/51  
D464,992 S \* 10/2002 Sugrue et al. .... D18/51

**FOREIGN PATENT DOCUMENTS**

GB 3010448 \* 4/2003  
WO DM/056475 \* 2/2001

\* cited by examiner

*Primary Examiner*—Charles A. Rademaker

(74) *Attorney, Agent, or Firm*—Laurence A. Greenberg;  
Werner H. Stemer; Gregory L. Mayback

(57) **CLAIM**

The ornamental design for a franking machine, as shown and described.

**DESCRIPTION**

FIG. 1 is a perspective view of a franking machine showing my new design;

FIG. 2 is a top perspective view thereof;

FIG. 3 is a right side perspective view thereof;

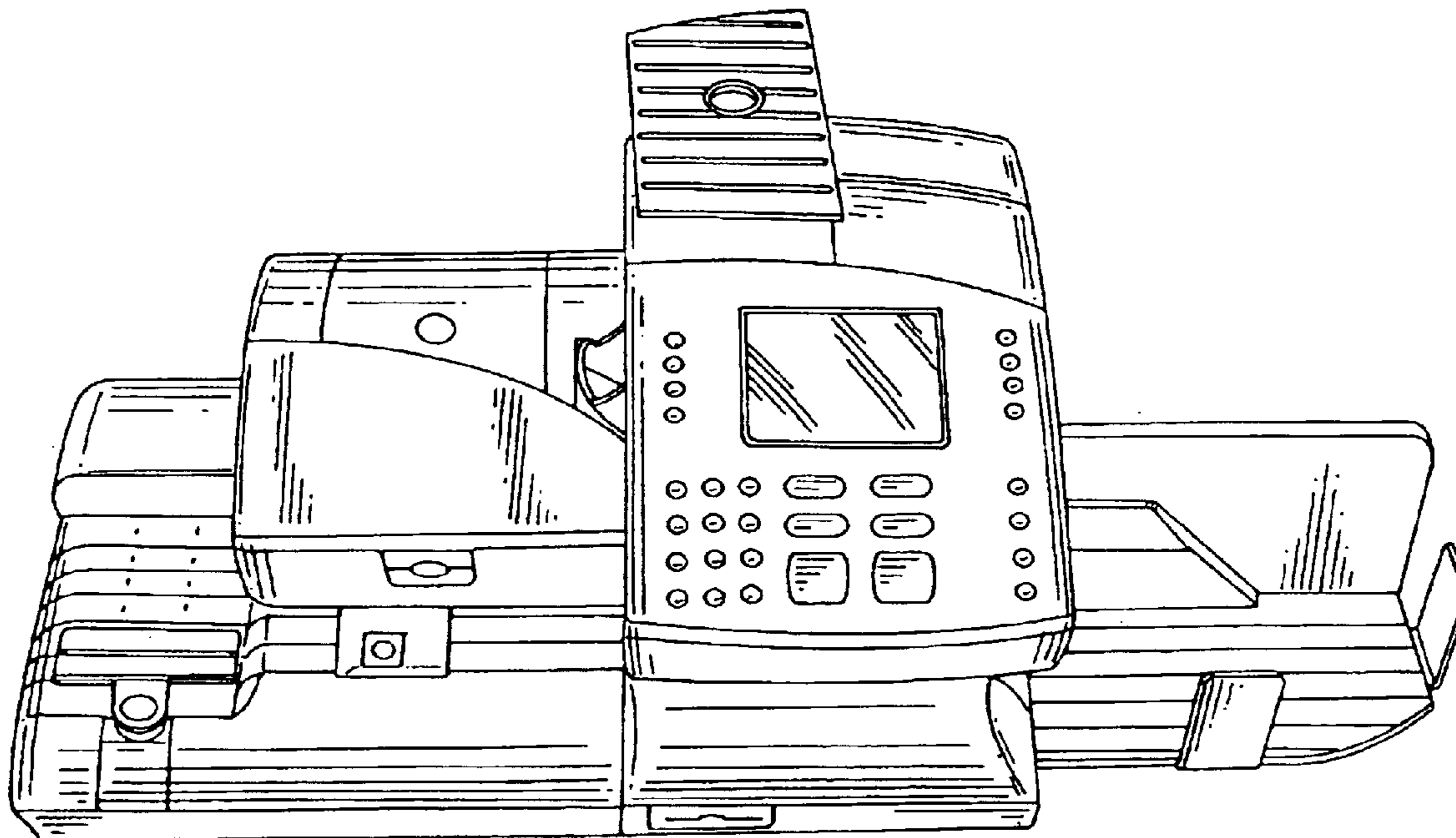
FIG. 4 is a left side perspective view thereof;

FIG. 5 is a front perspective view thereof;

FIG. 6 is a bottom perspective view thereof; and,

FIG. 7 is a rear perspective view thereof.

**1 Claim, 7 Drawing Sheets**



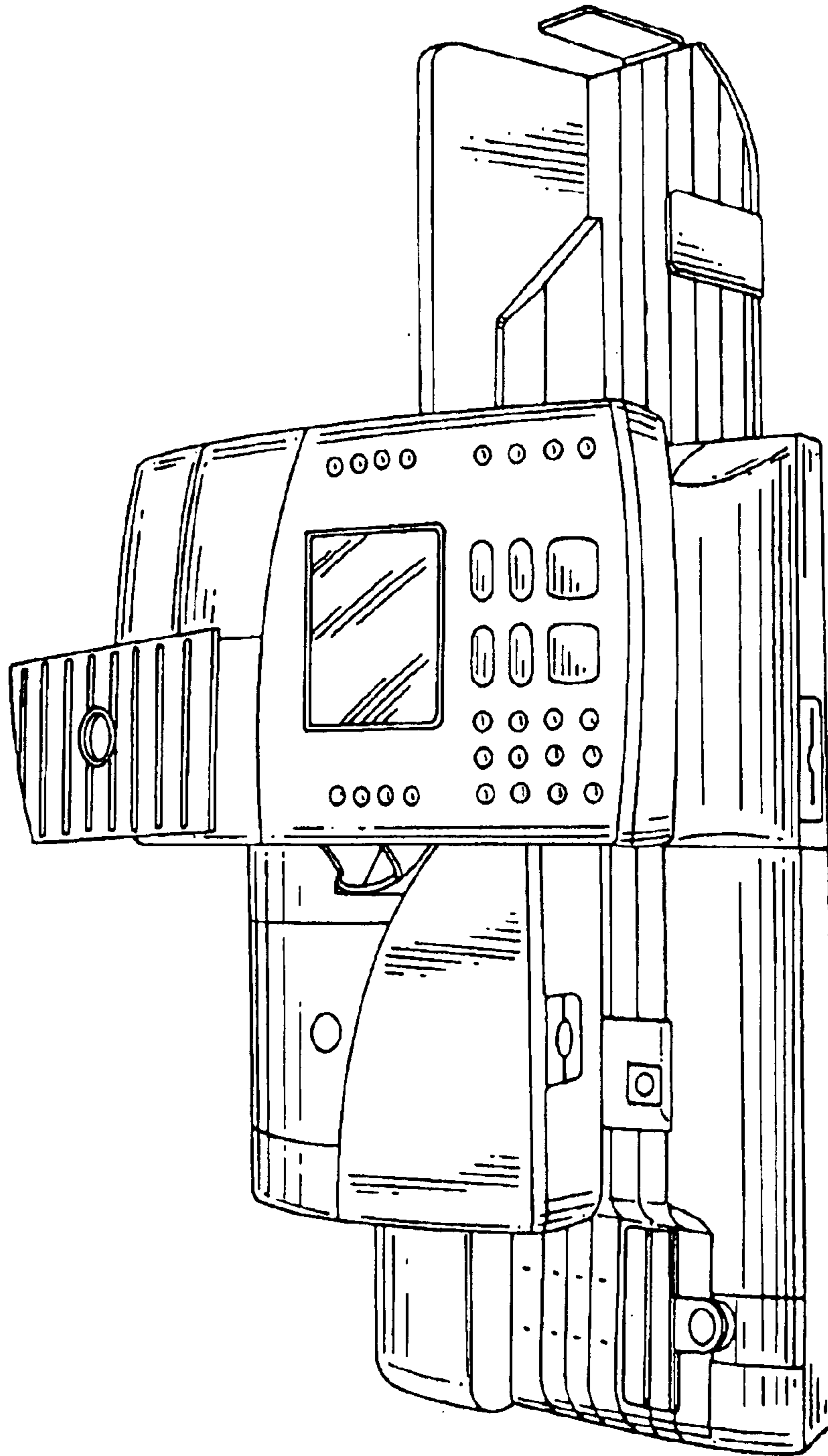


FIG. 1

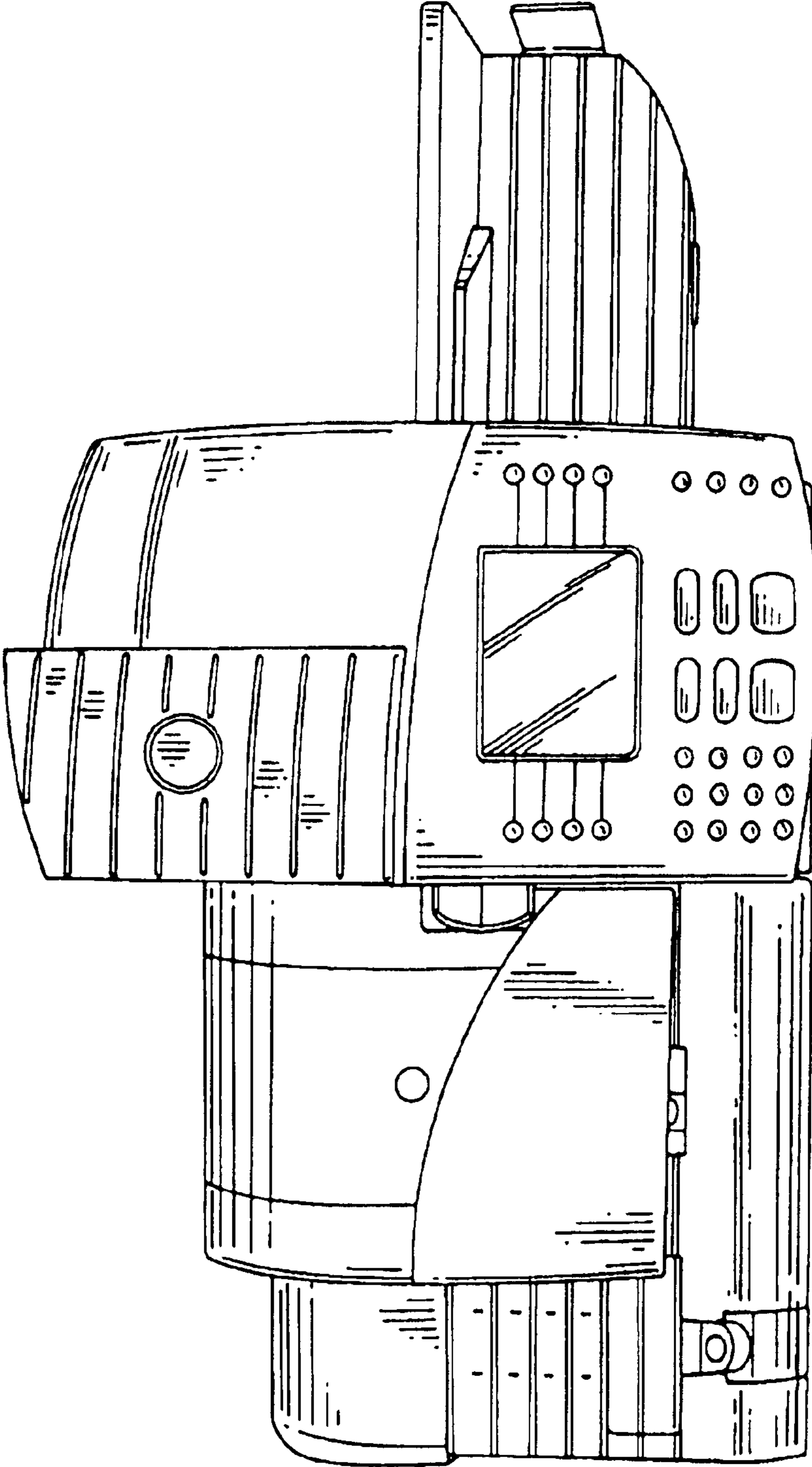


FIG. 2

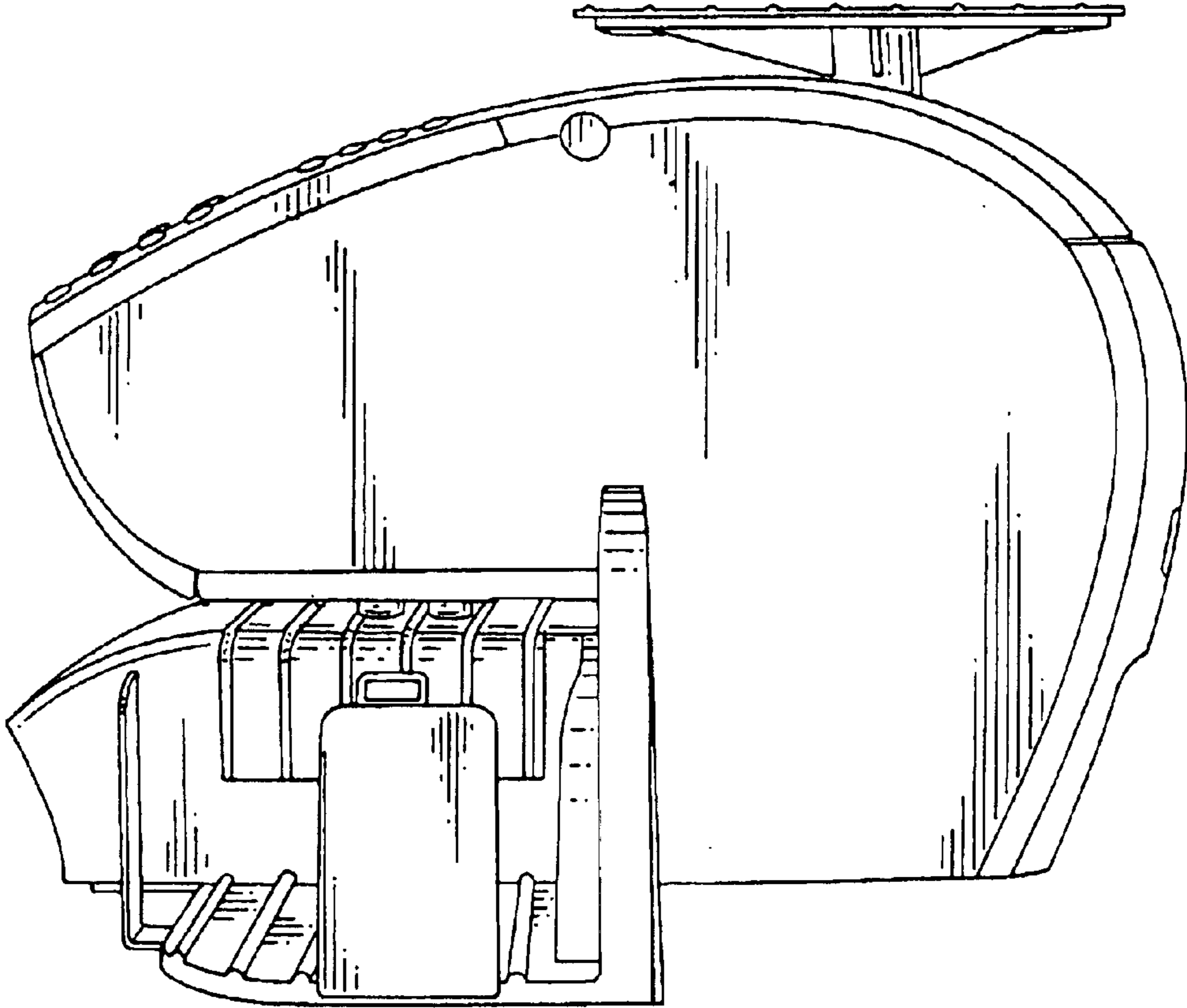


FIG. 3

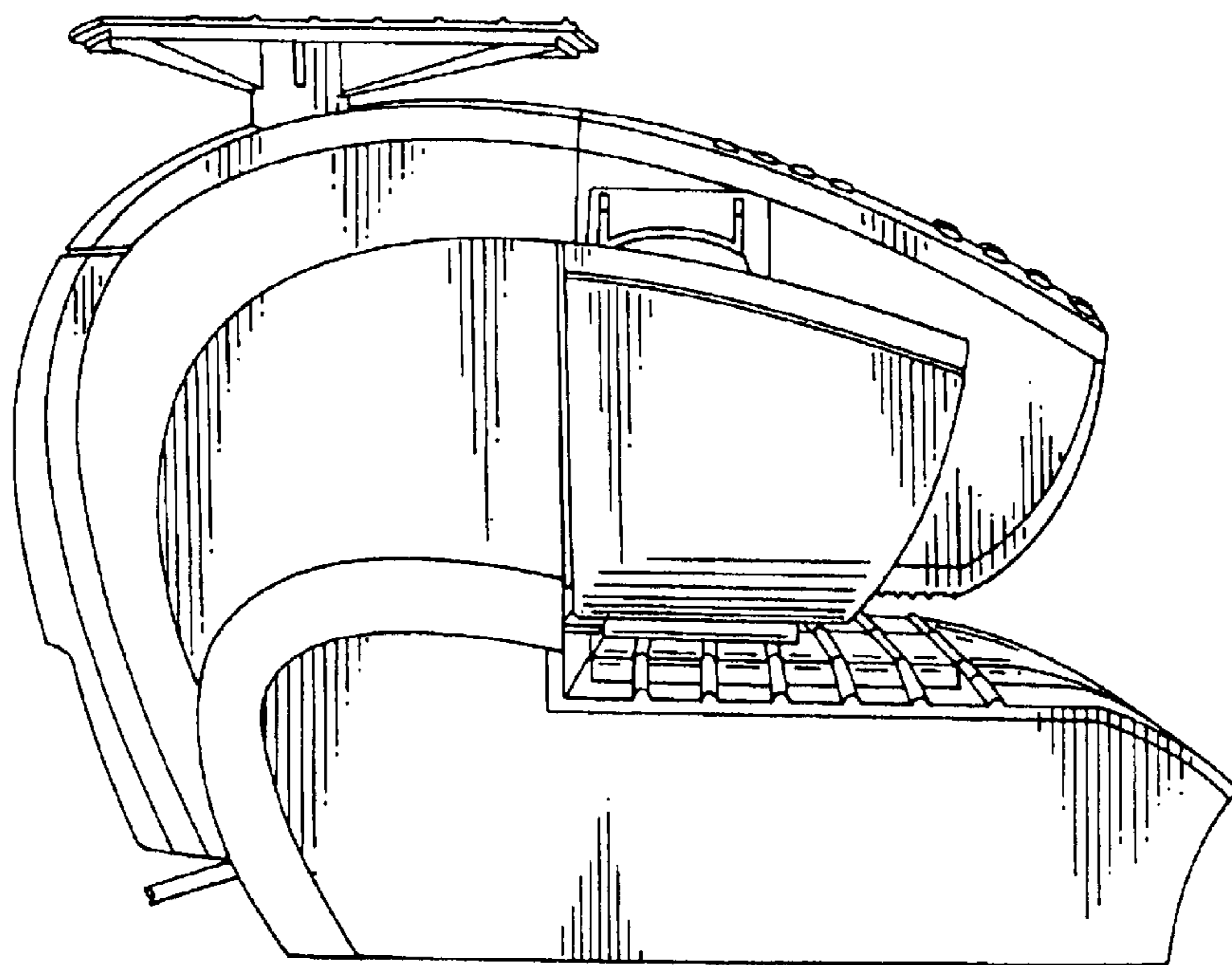


FIG. 4

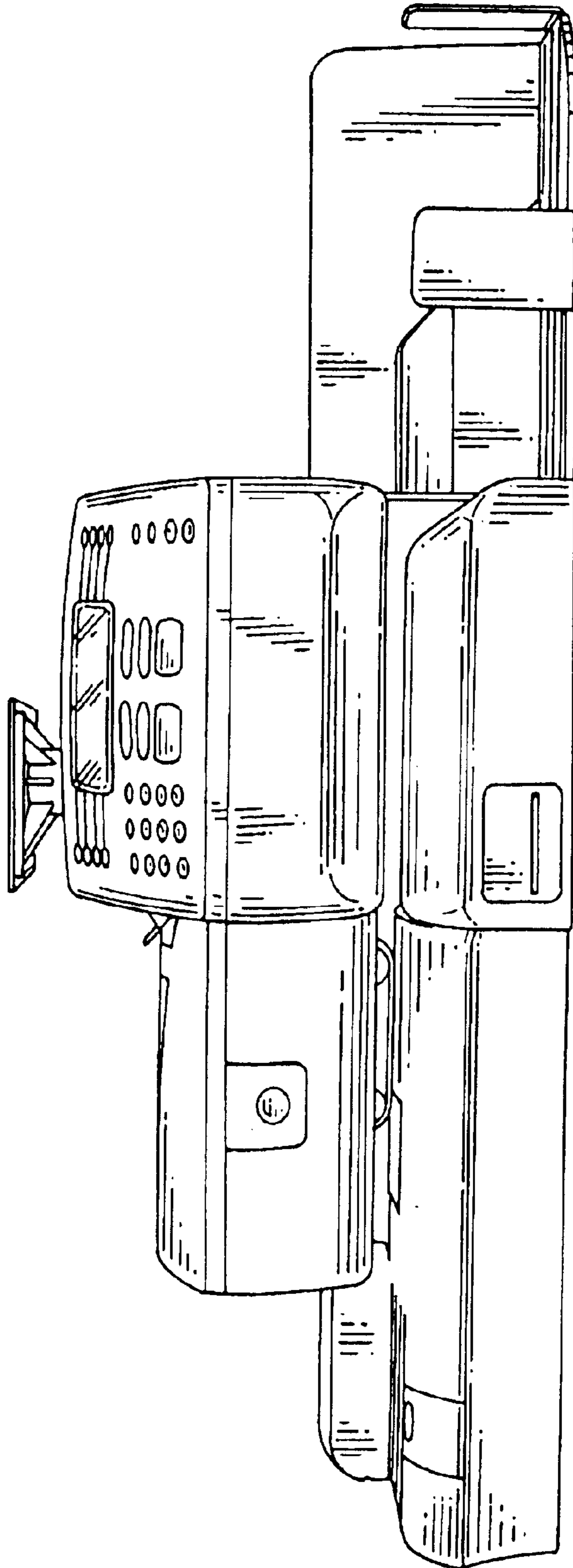


FIG. 5



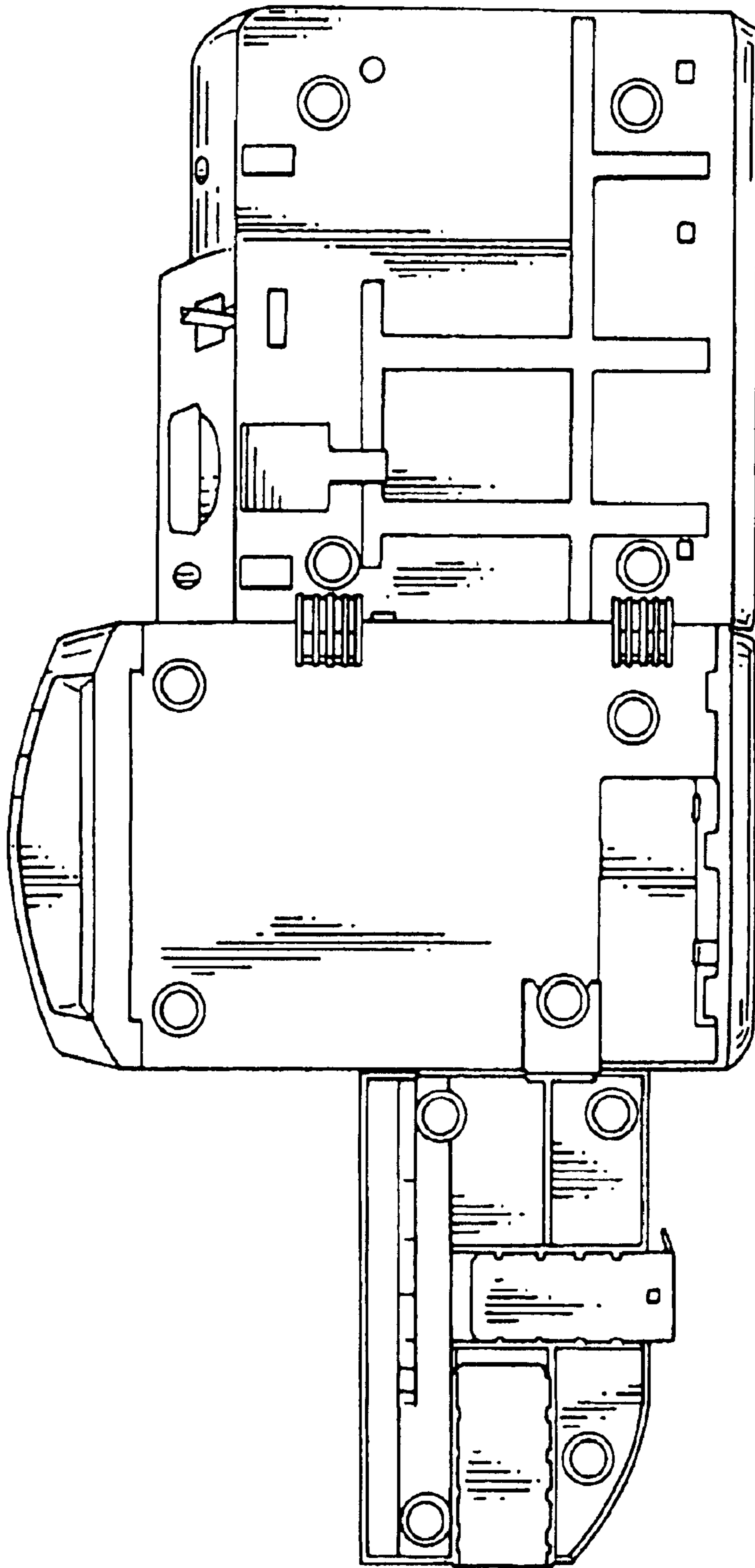


FIG. 6

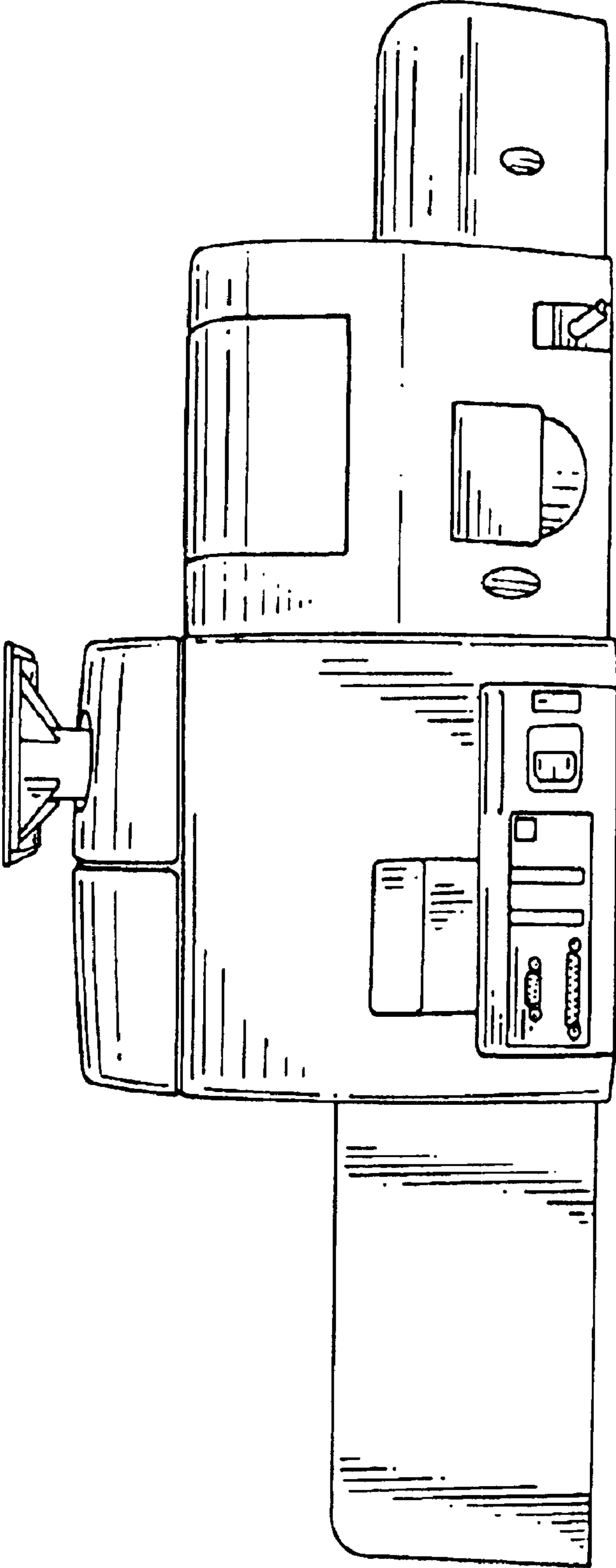


FIG. 7