

US00D506494S

(12) **United States Design Patent**  
**Nishizawa**

(10) **Patent No.:** **US D506,494 S**  
(45) **Date of Patent:** **\*\* Jun. 21, 2005**

(54) **ELECTRONIC KEYBOARD MUSICAL INSTRUMENT**

D431,588 S \* 10/2000 Ohno ..... D17/1  
D461,837 S \* 8/2002 Chan ..... D17/1  
6,528,708 B2 \* 3/2003 Konishi et al. .... 84/177

(75) Inventor: **Naoya Nishizawa**, Tokyo (JP)  
(73) Assignee: **Casio Keisanki Kabushiki Kaisha**,  
Tokyo (JP)  
(\*\*) Term: **14 Years**

\* cited by examiner

*Primary Examiner*—Adir Aronovich  
(74) *Attorney, Agent, or Firm*—Frishauf, Holtz, Goodman  
& Chick, P. C.

(21) Appl. No.: **29/201,547**  
(22) Filed: **Mar. 16, 2004**

(57) **CLAIM**

The ornamental design for an electronic keyboard musical instrument, as shown and described.

(51) **LOC (8) Cl.** ..... **17-01**  
(52) **U.S. Cl.** ..... **D17/1**  
(58) **Field of Search** ..... D17/1, 2, 5-7,  
D17/9; D21/409; 84/174-177, 423 R, 428,  
713, 719, DIG. 7

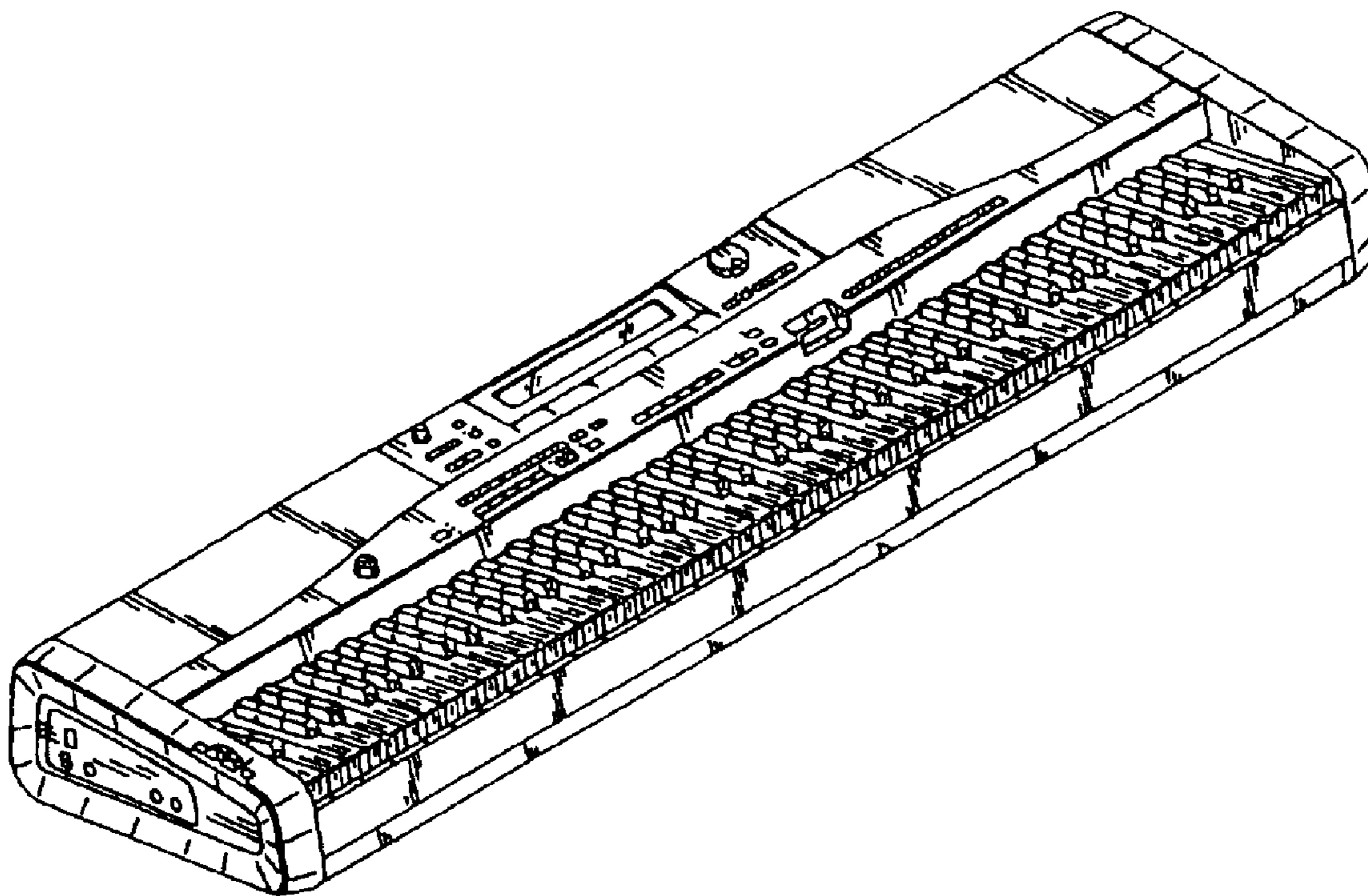
**DESCRIPTION**

FIG. 1 is a reduced scale front, left side, bottom perspective view of an electronic keyboard musical instrument showing my new design;  
FIG. 2 is a front elevational view thereof;  
FIG. 3 is a rear elevational view thereof;  
FIG. 4 is a left side view thereof;  
FIG. 5 is a right side view thereof;  
FIG. 6 is a top plan view thereof; and,  
FIG. 7 is a bottom plan view thereof.

(56) **References Cited**  
**U.S. PATENT DOCUMENTS**

D312,266 S \* 11/1990 Shibasaki ..... D17/1  
D317,930 S \* 7/1991 Mine et al. .... D17/1  
5,841,053 A \* 11/1998 Johnson et al. .... 84/423 R

**1 Claim, 3 Drawing Sheets**



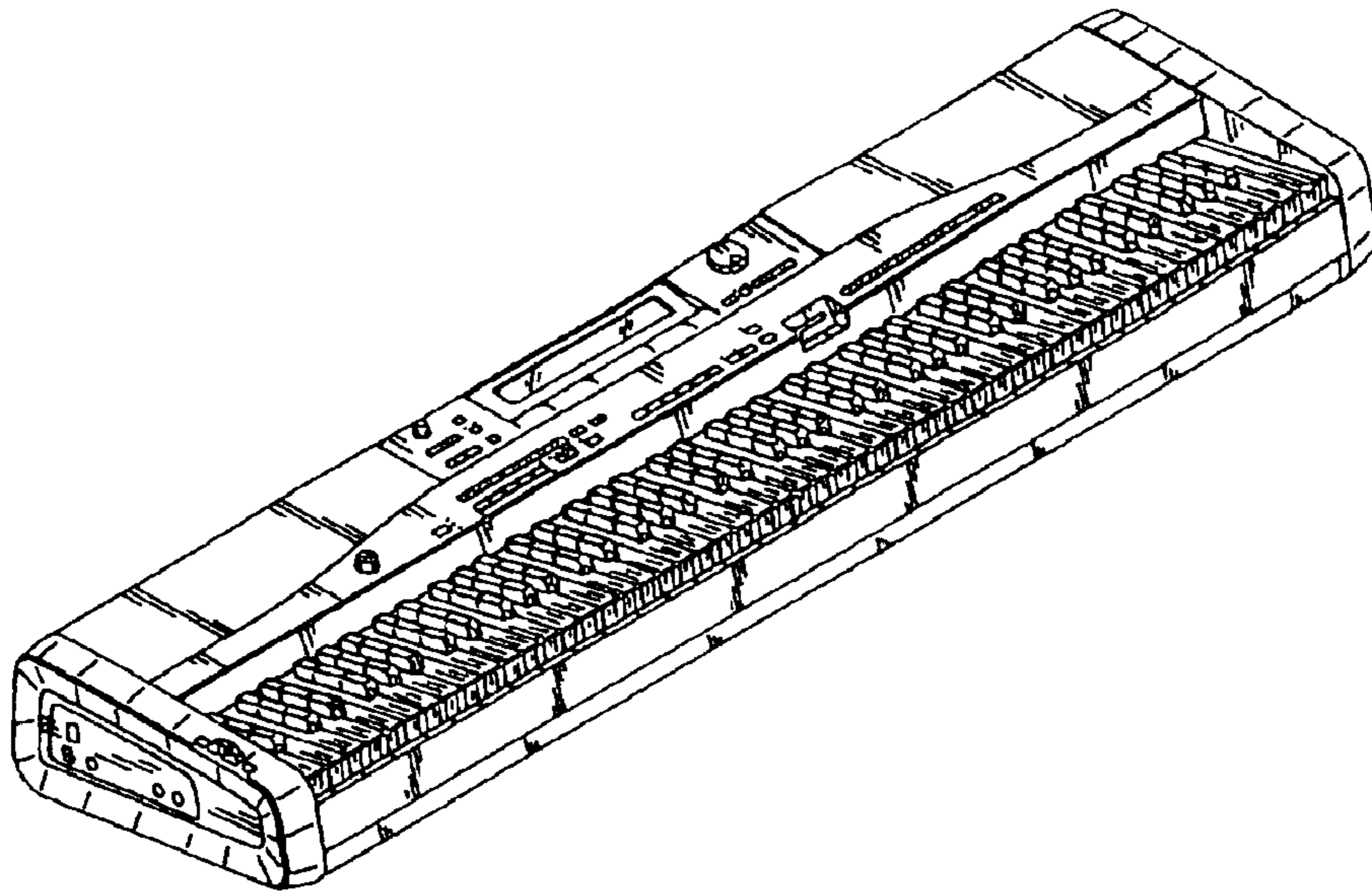


FIG. 1

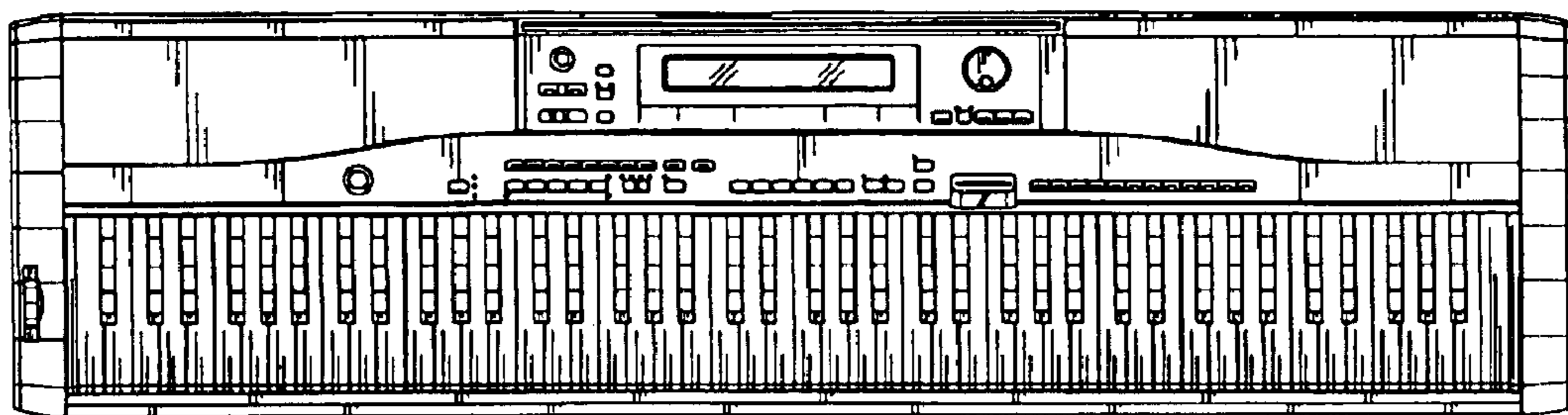
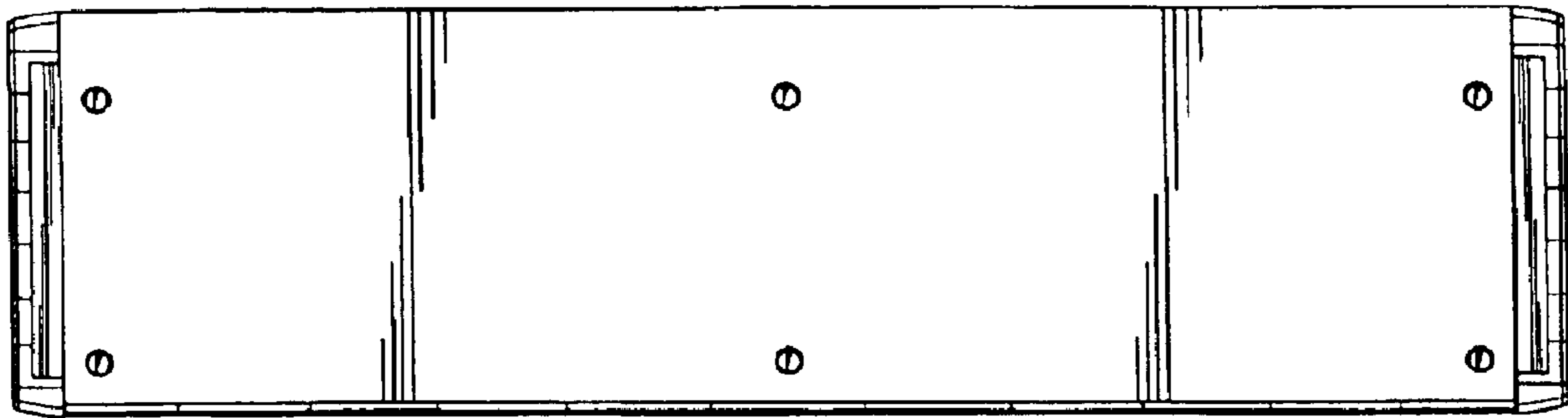
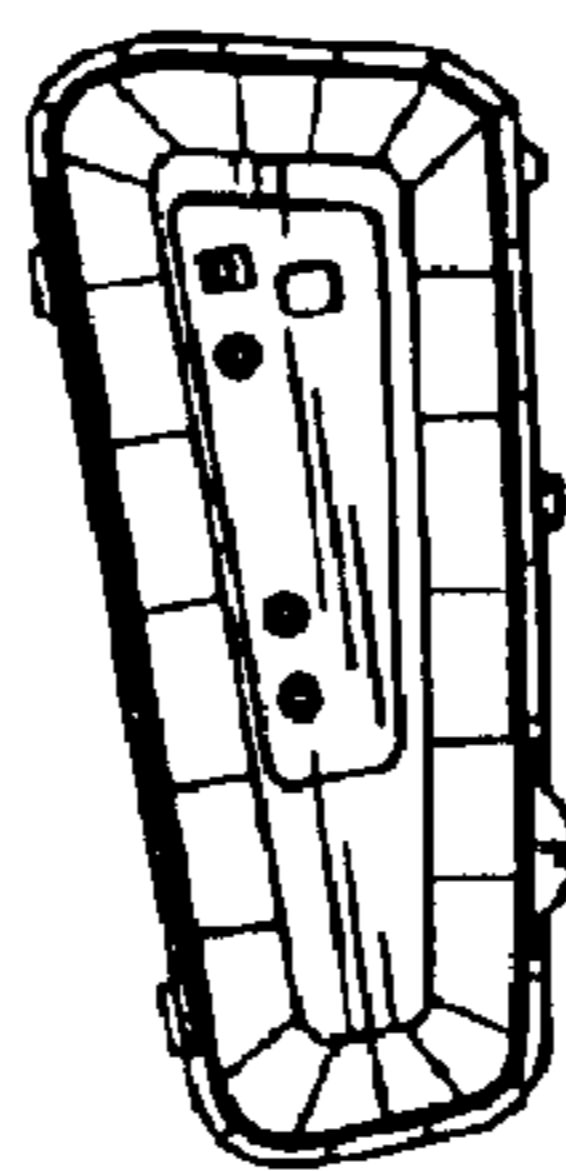


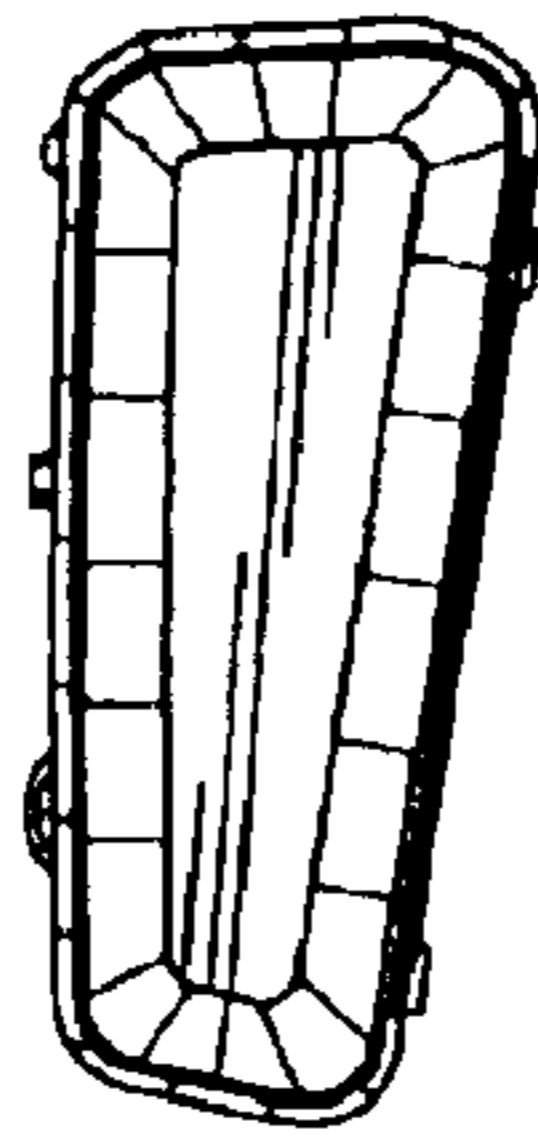
FIG. 2



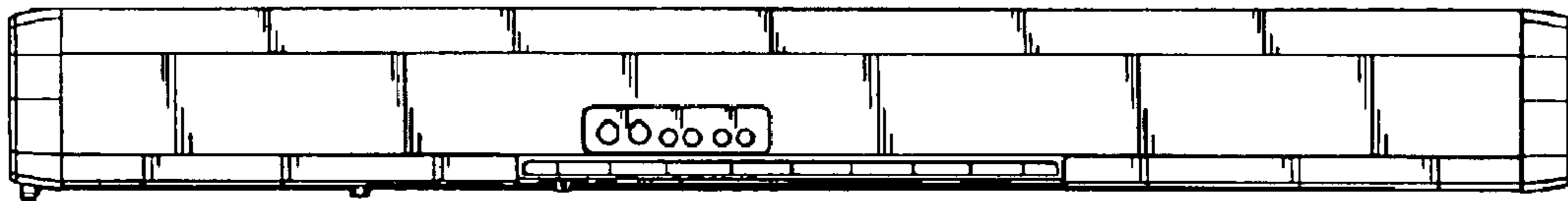
**FIG. 3**



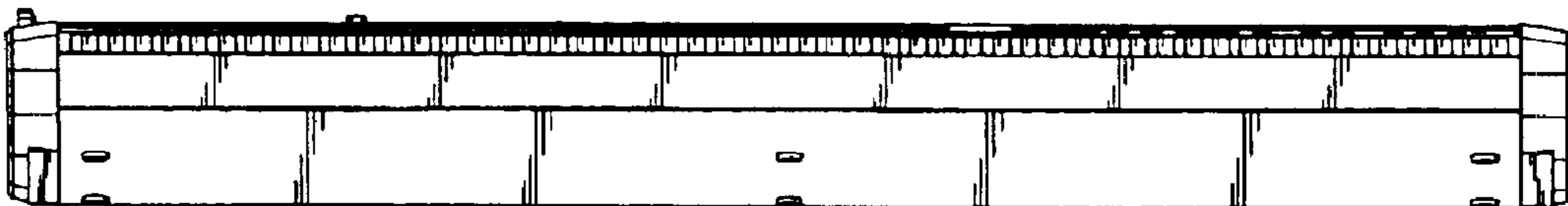
**FIG. 4**



**FIG. 5**



**FIG. 6**



**FIG. 7**