

US00D506493S

(12) **United States Design Patent**
Naito

(10) **Patent No.:** **US D506,493 S**
(45) **Date of Patent:** **** Jun. 21, 2005**

(54) **ADAPTER FOR A DIGITAL CAMERA**

D384,642 S * 10/1997 Miyahara D13/133
D399,230 S * 10/1998 Tenne D16/237
D500,513 S * 1/2005 Matsumoto et al. D16/242

(75) **Inventor:** **Yoshitaka Naito, Ome (JP)**

* cited by examiner

(73) **Assignee:** **Olympus Corporation, Tokyo (JP)**

Primary Examiner—Adir Aronovich

(**) **Term:** **14 Years**

(74) *Attorney, Agent, or Firm*—Hogan & Hartson LLP

(21) **Appl. No.:** **29/208,517**

(57) **CLAIM**

(22) **Filed:** **Jun. 29, 2004**

The ornamental design for an adapter for a digital camera, as shown and described.

(51) **LOC (8) Cl.** **16-05**

(52) **U.S. Cl.** **D16/237; D13/133**

(58) **Field of Search** **D13/107, 133;**
D16/219, 237, 242; 348/75, 373, 374-376;
396/504, 544

DESCRIPTION

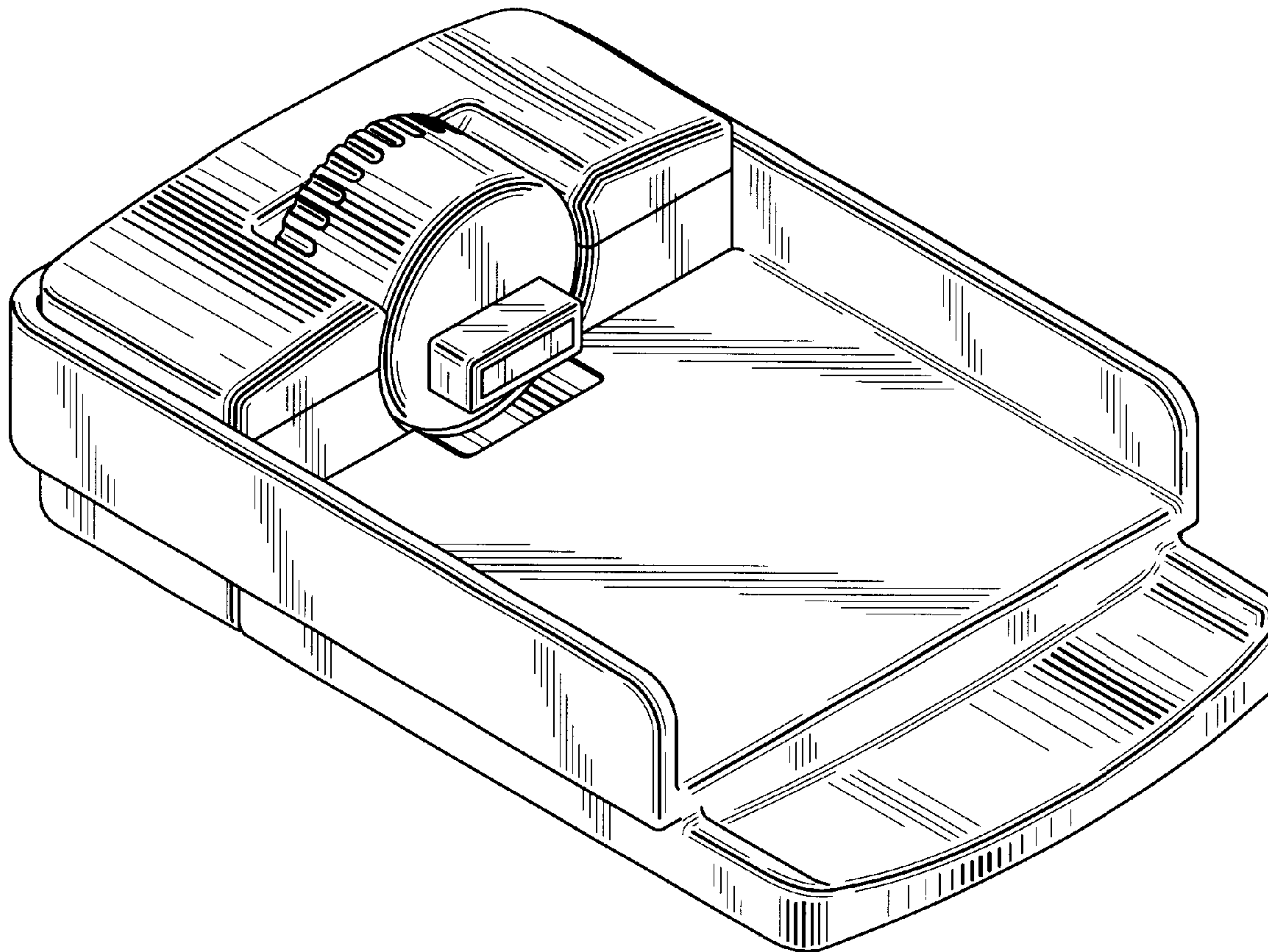
FIG. 1 is a perspective view of an adapter for a digital camera, showing my new design;
FIG. 2 is a front elevational view thereof;
FIG. 3 is a rear elevational view thereof;
FIG. 4 is a top plan view thereof;
FIG. 5 is a bottom plan view thereof;
FIG. 6 is a right side elevational view thereof; and,
FIG. 7 is a left side elevational view thereof.

(56) **References Cited**

U.S. PATENT DOCUMENTS

4,030,112 A * 6/1977 Morse et al. 396/504
4,344,667 A * 8/1982 Wooff, Jr. 348/75
5,189,520 A * 2/1993 Okayasu et al. 348/376
5,568,198 A * 10/1996 Sakurai et al. 348/373

1 Claim, 3 Drawing Sheets



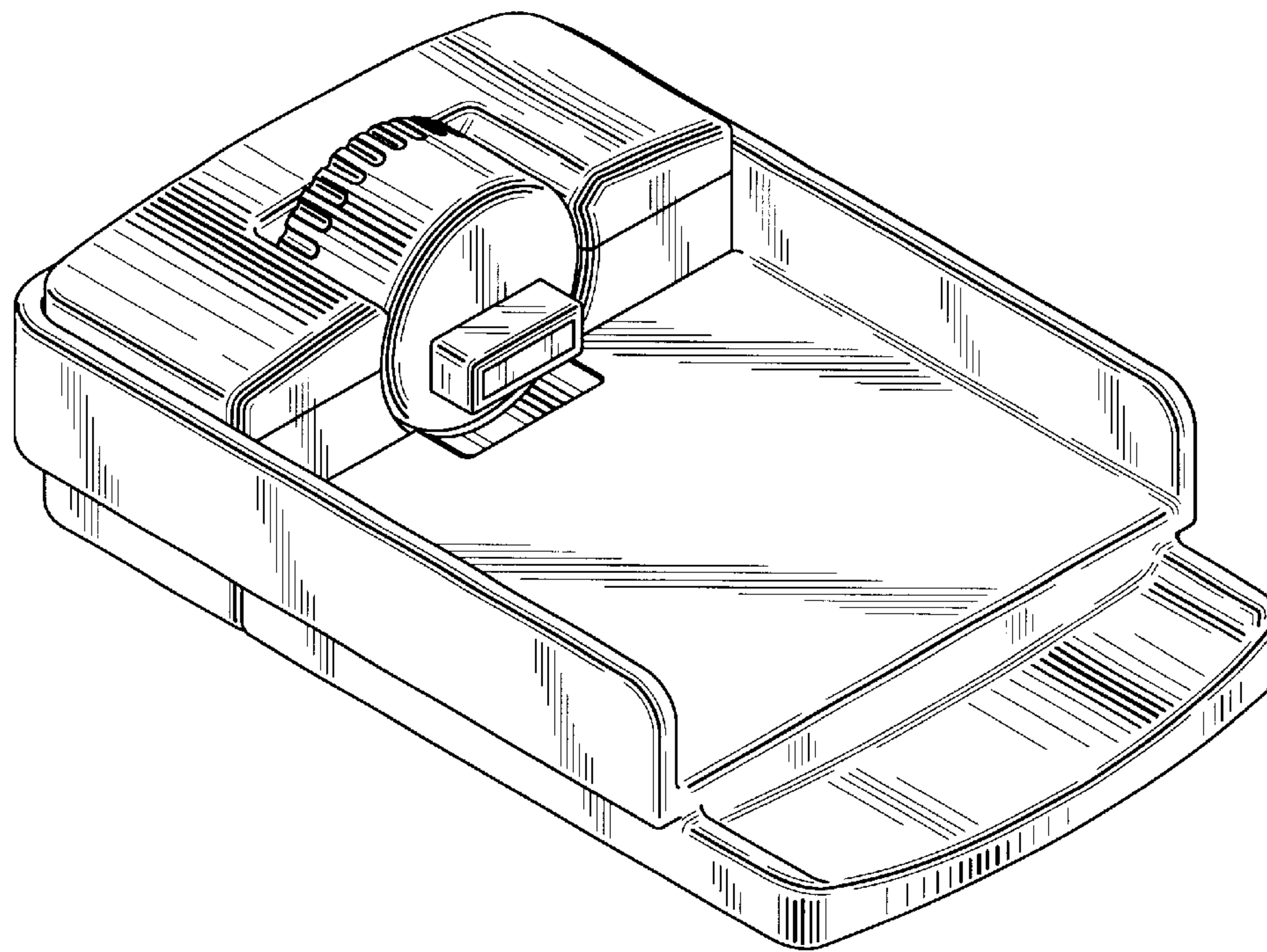


FIG. 1



FIG. 2



FIG. 3



FIG. 4

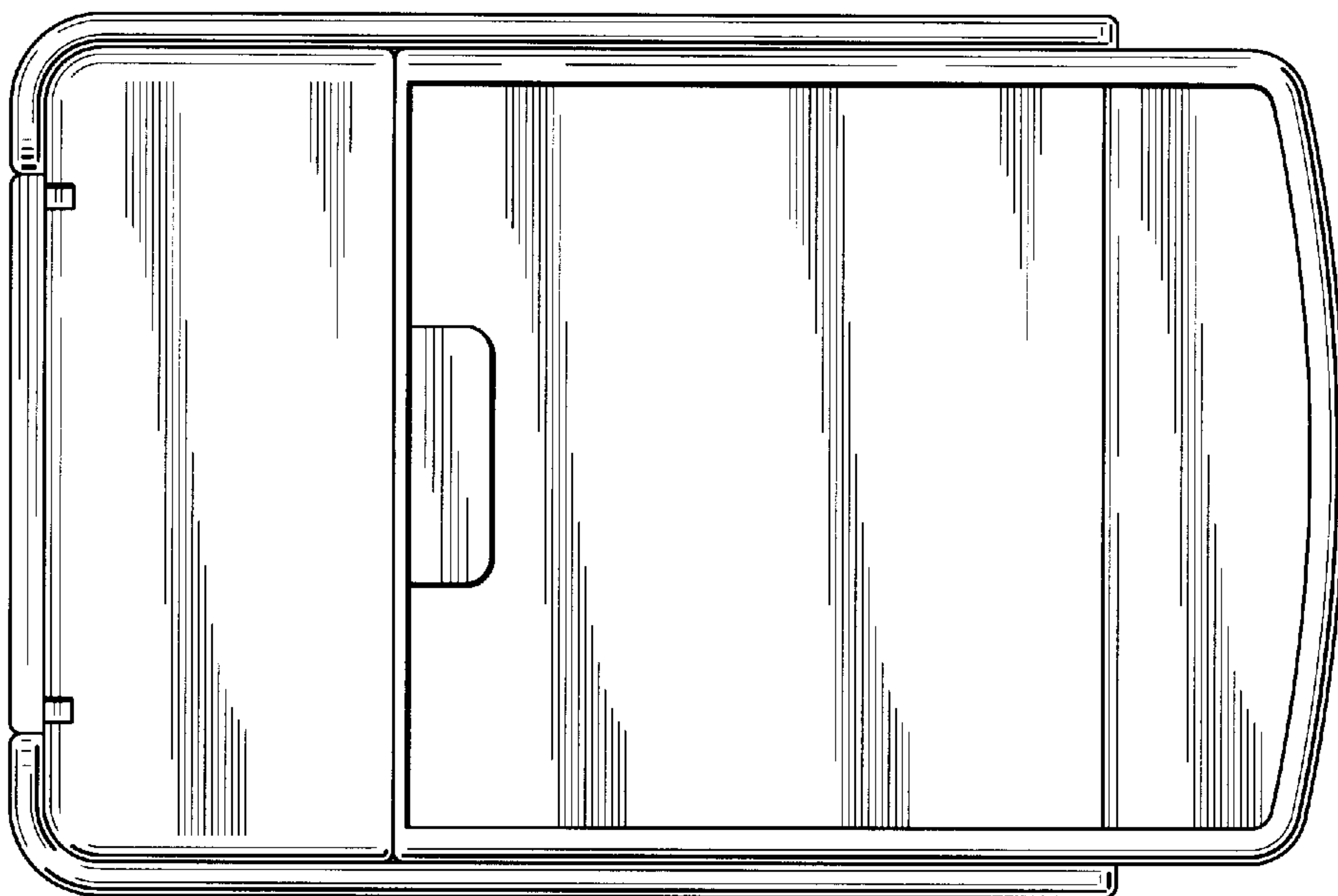


FIG. 5

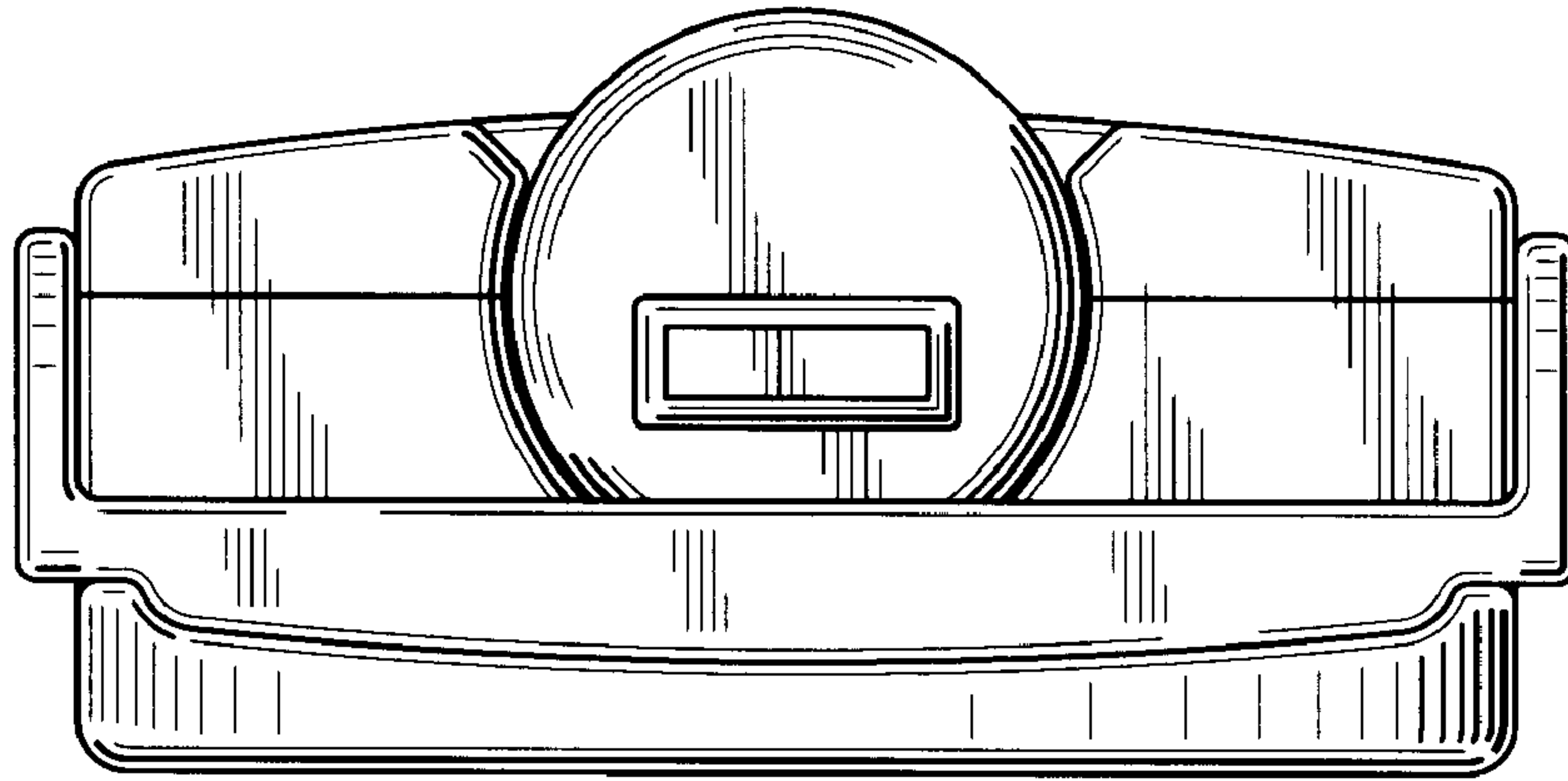


FIG. 6

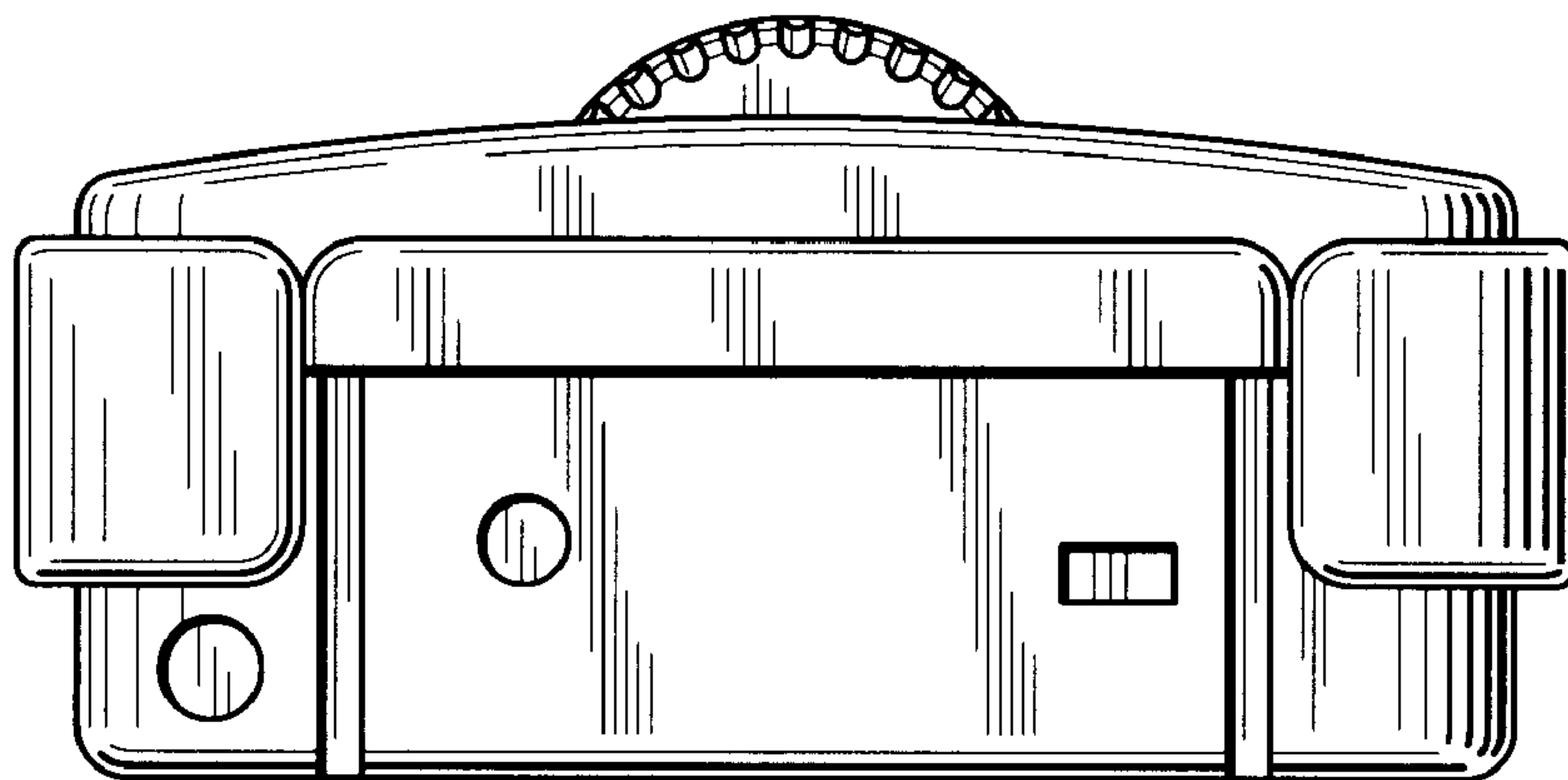


FIG. 7