



US00D506492S

(12) **United States Design Patent**  
**Miyashita**

(10) **Patent No.:** **US D506,492 S**  
(45) **Date of Patent:** **\*\* Jun. 21, 2005**

(54) **VIDEO CAMERA**

(75) Inventor: **Shin Miyashita**, Tokyo (JP)

(73) Assignee: **Sony Corporation**, Tokyo (JP)

(\*\*) Term: **14 Years**

(21) Appl. No.: **29/205,196**

(22) Filed: **May 12, 2004**

(51) **LOC (8) Cl.** ..... **16-05**

(52) **U.S. Cl.** ..... **D16/219**

(58) **Field of Search** ..... D16/200–206,  
D16/208, 219; 348/373–376; 358/906; 396/535–541

(56) **References Cited**

**U.S. PATENT DOCUMENTS**

D282,656 S	*	2/1986	Mohri	.....	D16/202
D289,157 S	*	4/1987	Inai et al.	.....	D16/202
D290,120 S	*	6/1987	Mohri	.....	D16/202
D345,752 S	*	4/1994	Noisette	.....	D16/219
D431,582 S		10/2000	Sumita		

\* cited by examiner

*Primary Examiner*—Adir Aronovich

(74) *Attorney, Agent, or Firm*—Rader, Fishman & Grauer PLLC

(57) **CLAIM**

The ornamental design for a video camera, as shown and described.

**DESCRIPTION**

FIG. 1 is a perspective view of a video camera showing my new design;

FIG. 2 is a front elevational view thereof;

FIG. 3 is a rear elevational view thereof;

FIG. 4 is a left side elevational view thereof;

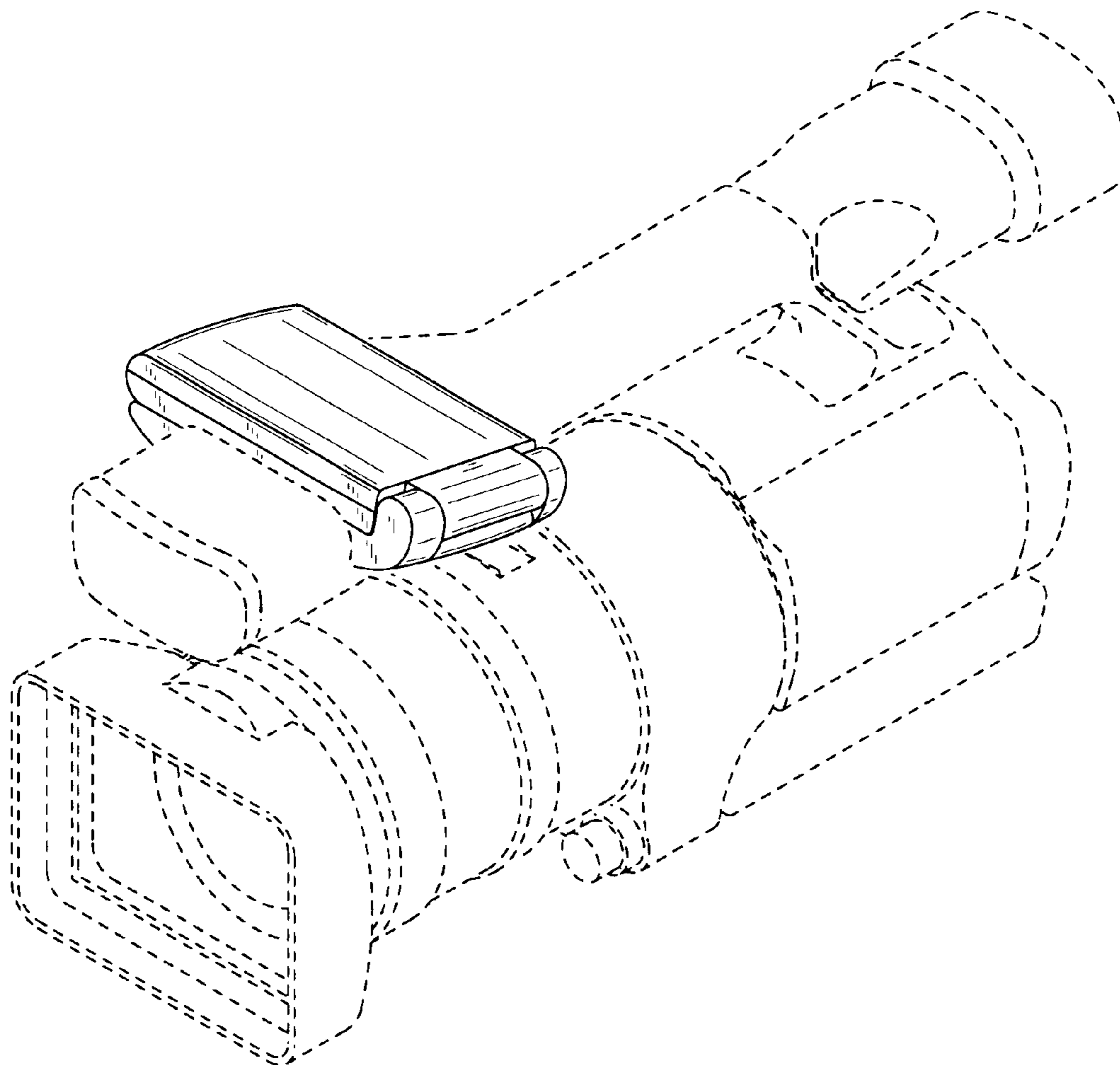
FIG. 5 is a right side elevational view thereof;

FIG. 6 is a top plan view thereof; and,

FIG. 7 is a bottom plan view thereof.

Portions of FIGS. 1–7 that are shown as broken lines are for illustrative purpose only and form no part of the claimed design.

**1 Claim, 4 Drawing Sheets**



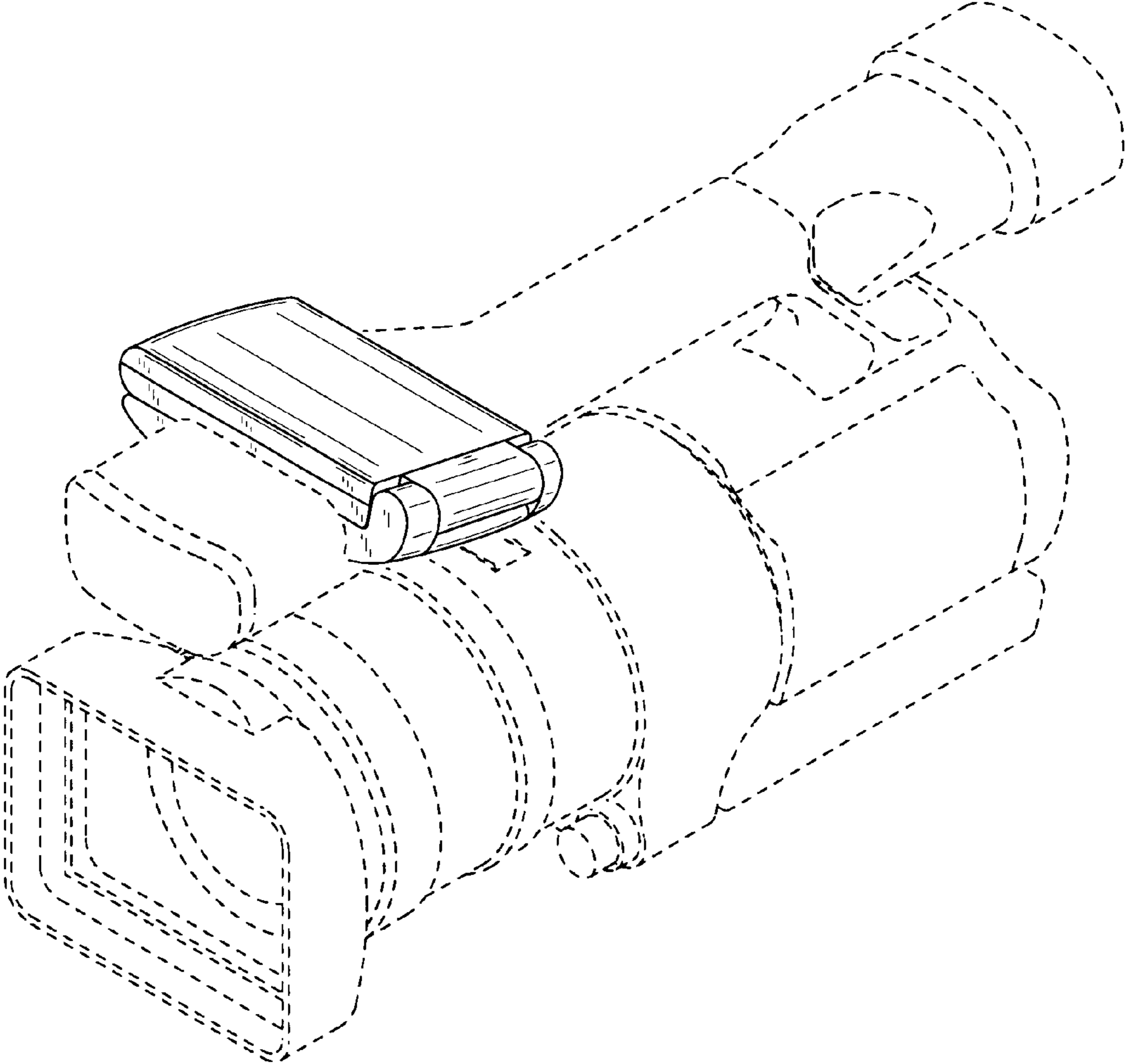


FIG. 1

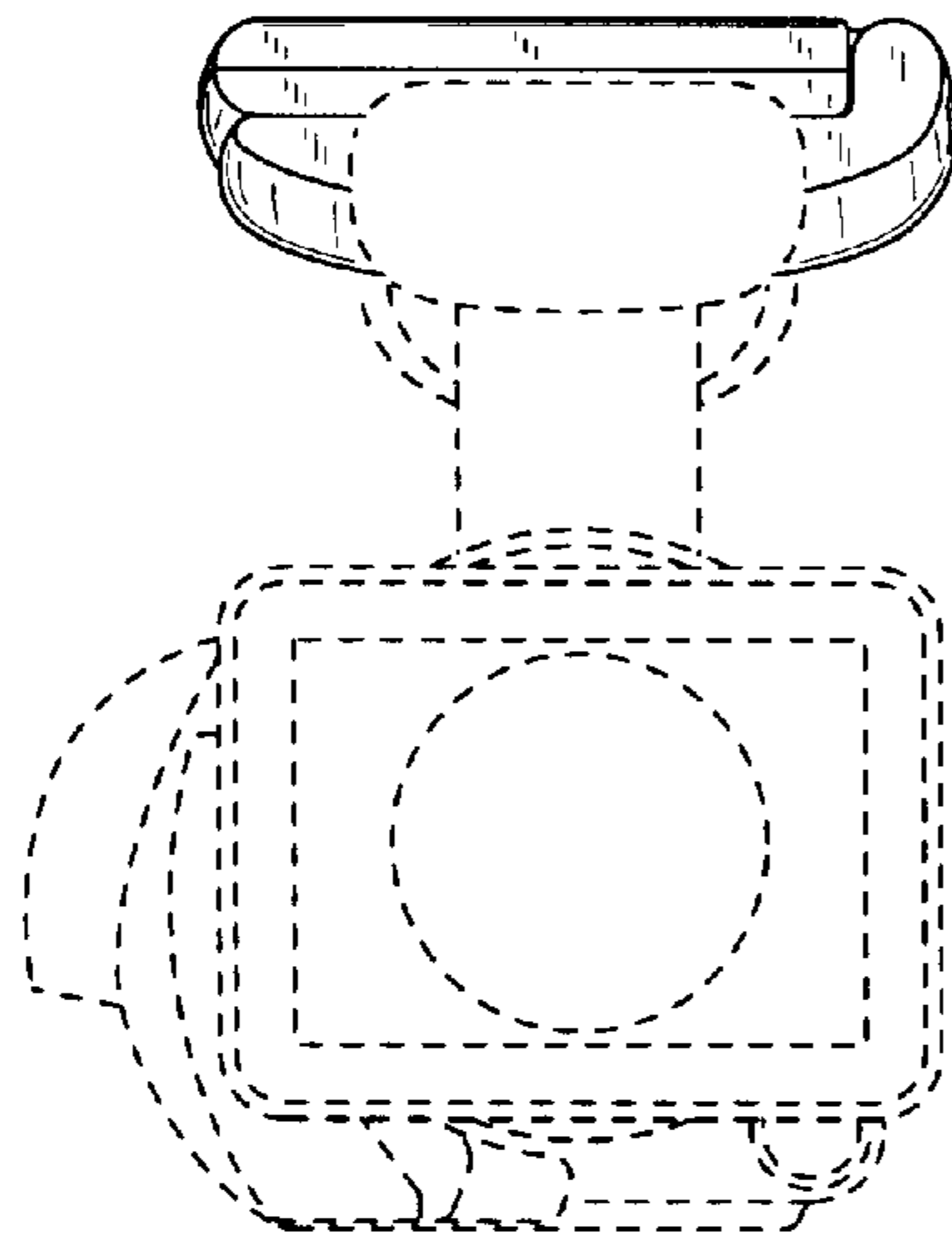


FIG. 2

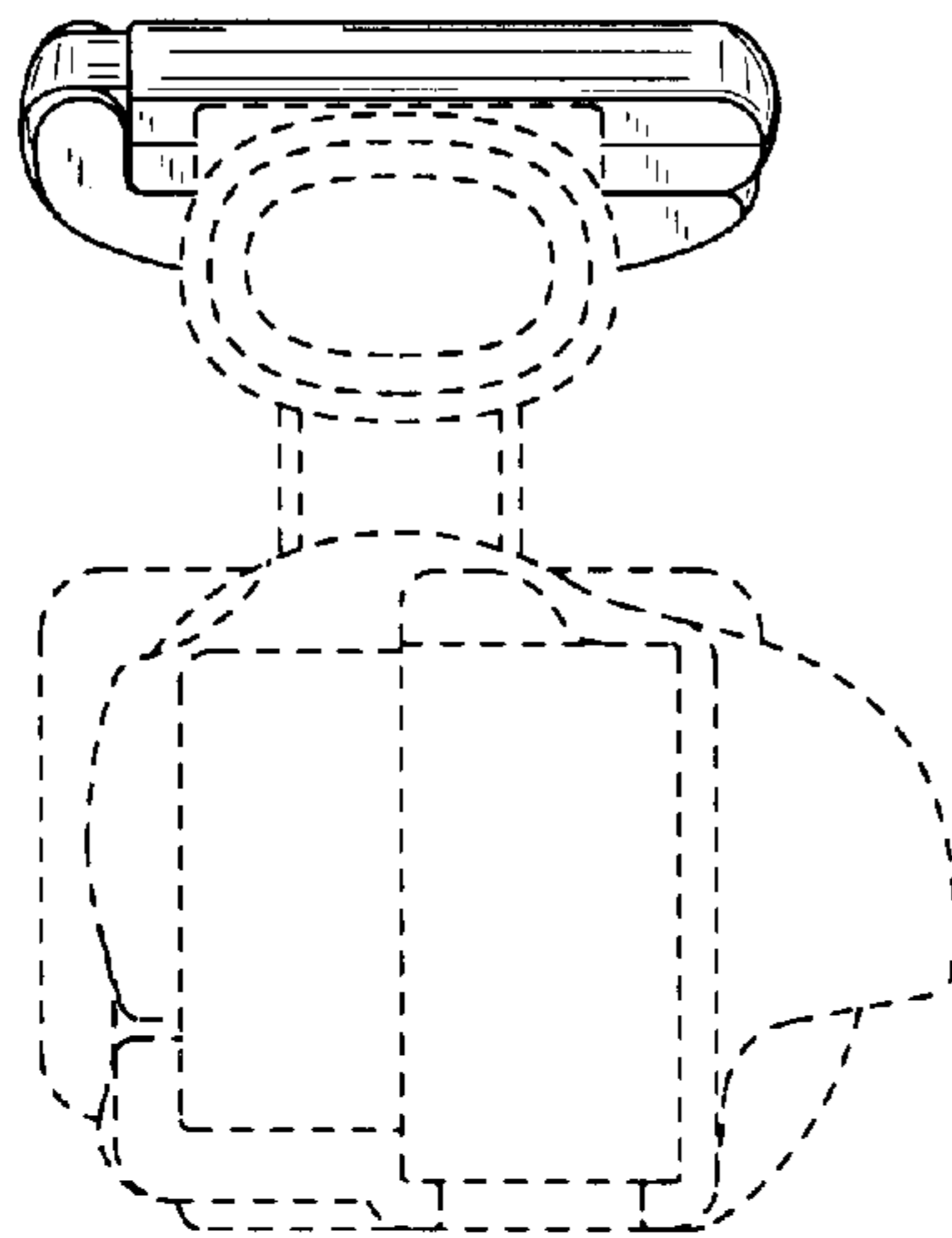


FIG. 3

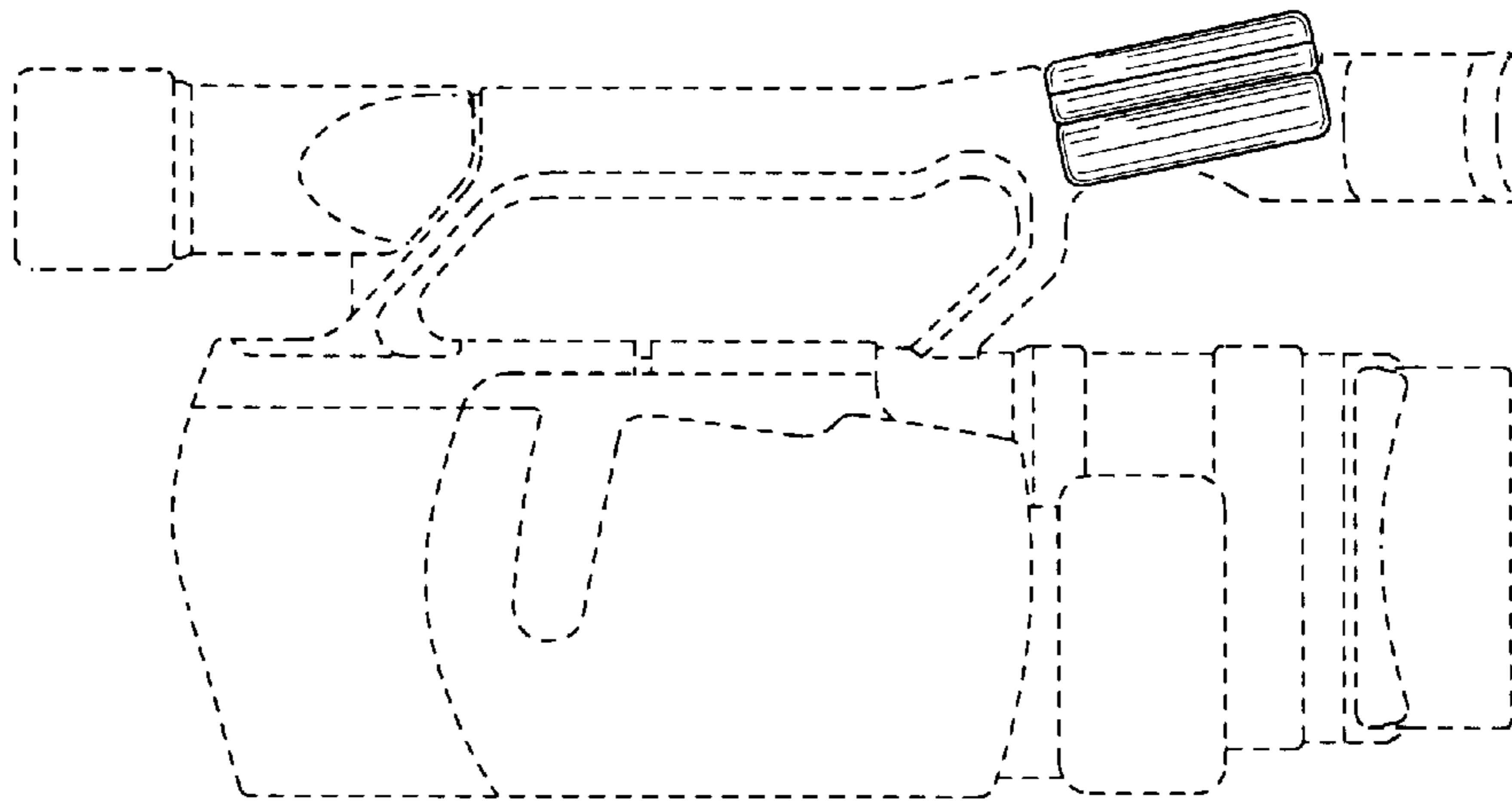


FIG. 4

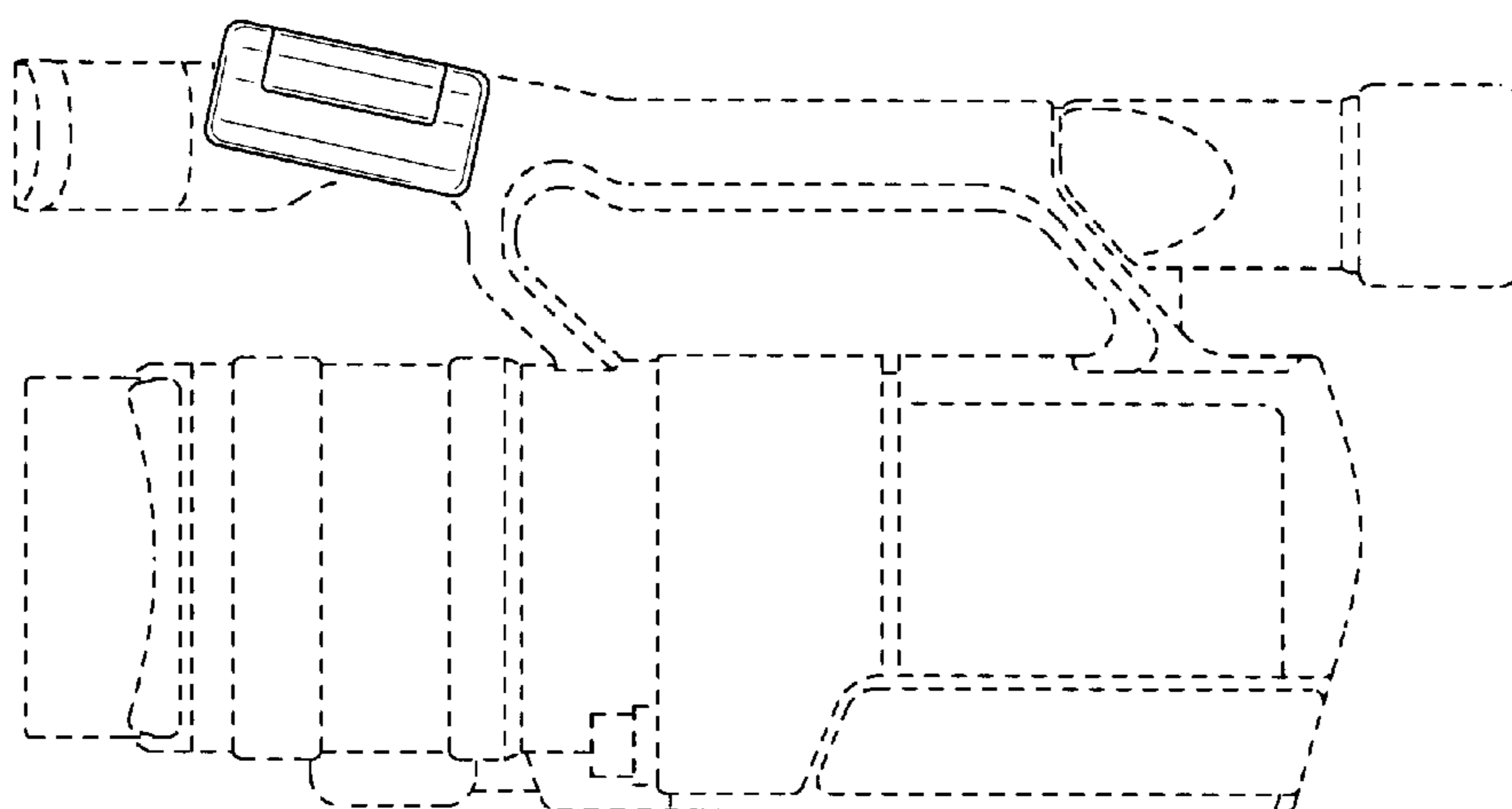


FIG. 5

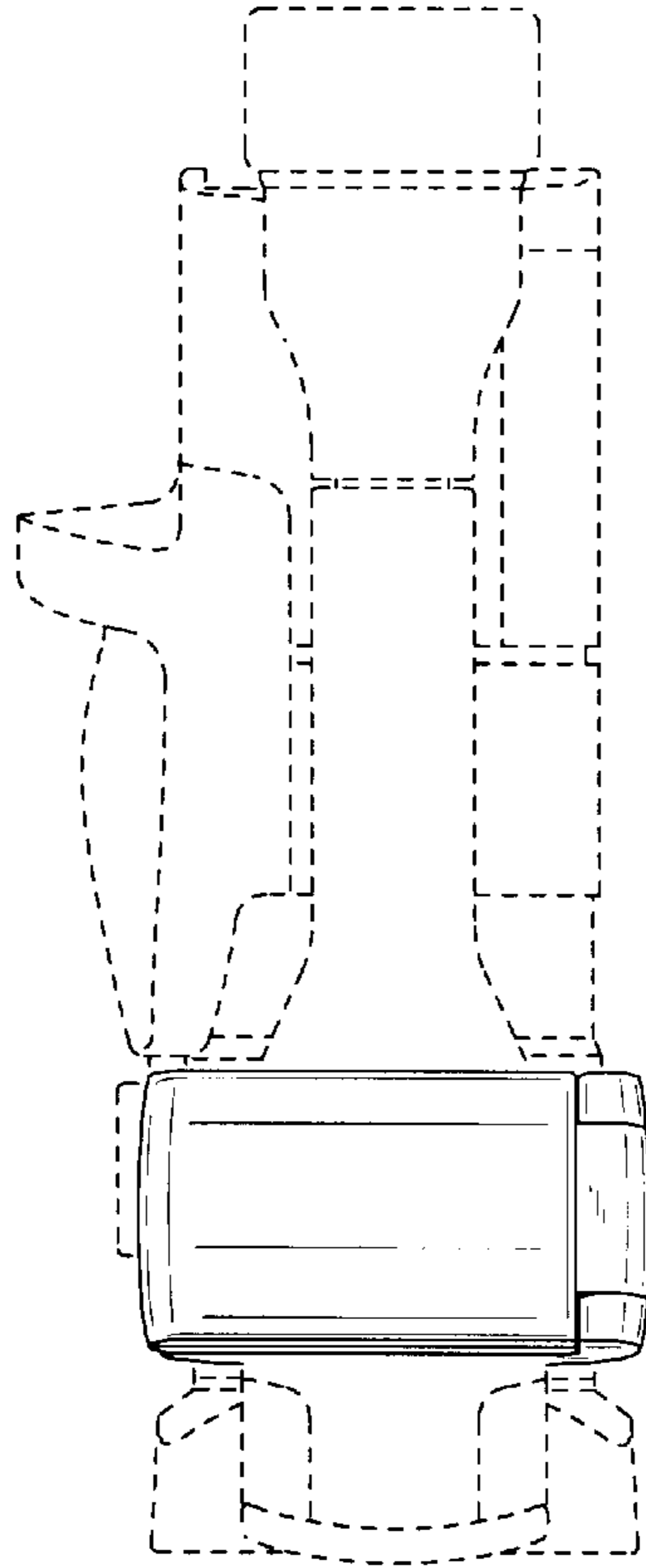


FIG. 6

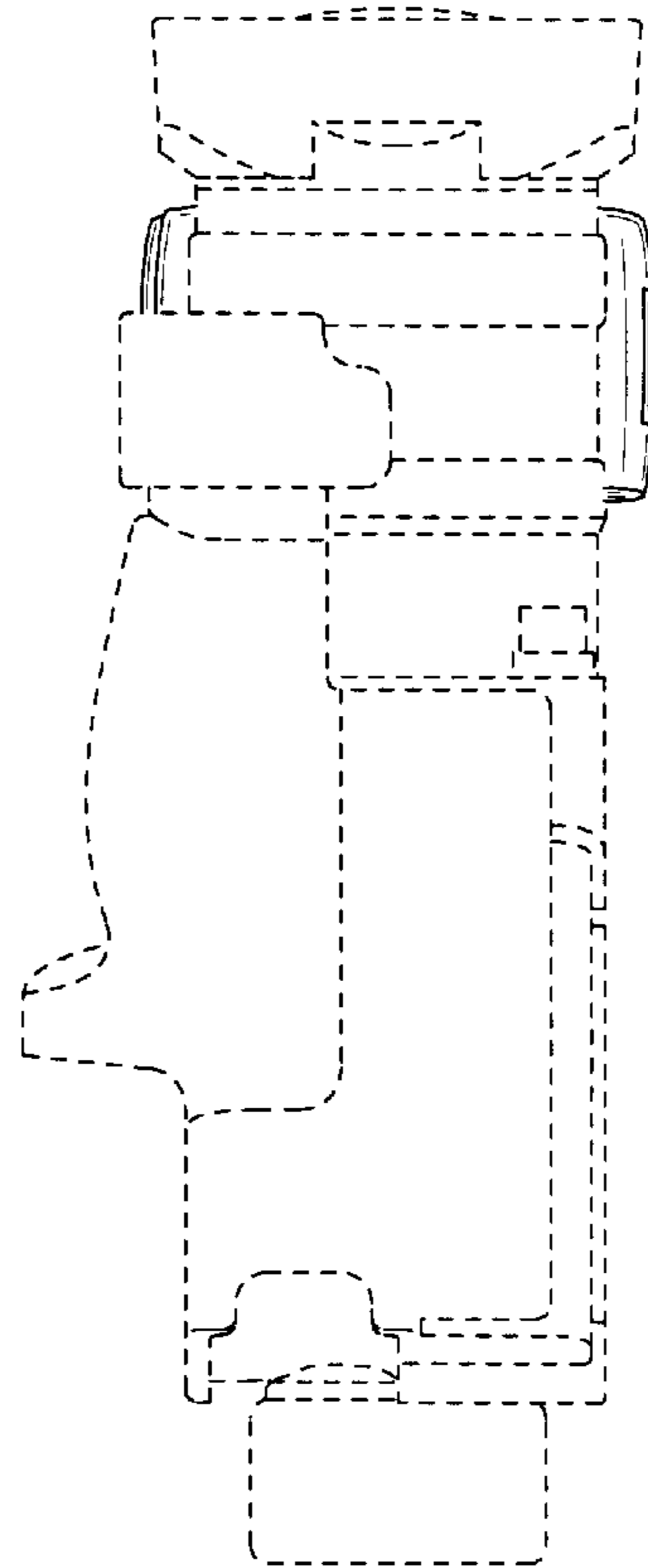


FIG. 7