

US00D506491S

(12) **United States Design Patent**  
**Takahashi**

(10) **Patent No.:** **US D506,491 S**  
(45) **Date of Patent:** **\*\* Jun. 21, 2005**

(54) **DIGITAL SINGLE-LENS REFLEX CAMERA BODY**

(75) Inventor: **Jun Takahashi**, Hachioji (JP)

(73) Assignee: **Olympus Corporation**, Tokyo (JP)

(\*\*) Term: **14 Years**

(21) Appl. No.: **29/194,102**

(22) Filed: **Nov. 19, 2003**

**Related U.S. Application Data**

(62) Division of application No. 29/171,176, filed on Nov. 18, 2002, now Pat. No. Des. 487,105.

(30) **Foreign Application Priority Data**

Aug. 27, 2002 (JP) ..... 2002-022924  
Aug. 27, 2002 (JP) ..... 2002-022925  
Aug. 27, 2002 (JP) ..... 2002-022926  
Aug. 27, 2002 (JP) ..... 2002-022927

(51) **LOC (8) Cl.** ..... **16-05**

(52) **U.S. Cl.** ..... **D16/219; D16/202; D16/217**

(58) **Field of Search** ..... **D16/200–206, D16/208, 209, 216–218, 219, 243; 348/373–376; 396/354–359, 535–541**

(56) **References Cited**

**U.S. PATENT DOCUMENTS**

D294,590 S 3/1988 Goto ..... D16/217

D317,929 S 7/1991 Tanaka et al. .... D16/217  
D425,099 S \* 5/2000 Nakanishi ..... D16/243  
6,311,022 B2 10/2001 Hori ..... 396/355  
D451,940 S 12/2001 Haga ..... D16/217  
D452,260 S \* 12/2001 Petravac et al. .... D16/219  
6,351,609 B1 2/2002 Hosokawa et al. .... 396/177  
D456,832 S \* 5/2002 Serbinski et al. .... D16/243  
D481,409 S \* 10/2003 Matsumura et al. .... D16/219

\* cited by examiner

*Primary Examiner*—Adir Aronovich

(74) *Attorney, Agent, or Firm*—Hogan & Hartson LLP

(57) **CLAIM**

The ornamental design for a digital single-lens reflex camera body, as shown and described.

**DESCRIPTION**

FIG. 1 is a front and right side perspective view of a digital single-lens camera body showing my new design;  
FIG. 2 is a rear and left side perspective view thereof;  
FIG. 3 is a front elevational view thereof;  
FIG. 4 is a rear elevational view thereof;  
FIG. 5 is a top plan view thereof;  
FIG. 6 is a bottom plan view thereof;  
FIG. 7 is a right side elevational view thereof; and,  
FIG. 8 is a left side elevational view thereof.

**1 Claim, 5 Drawing Sheets**

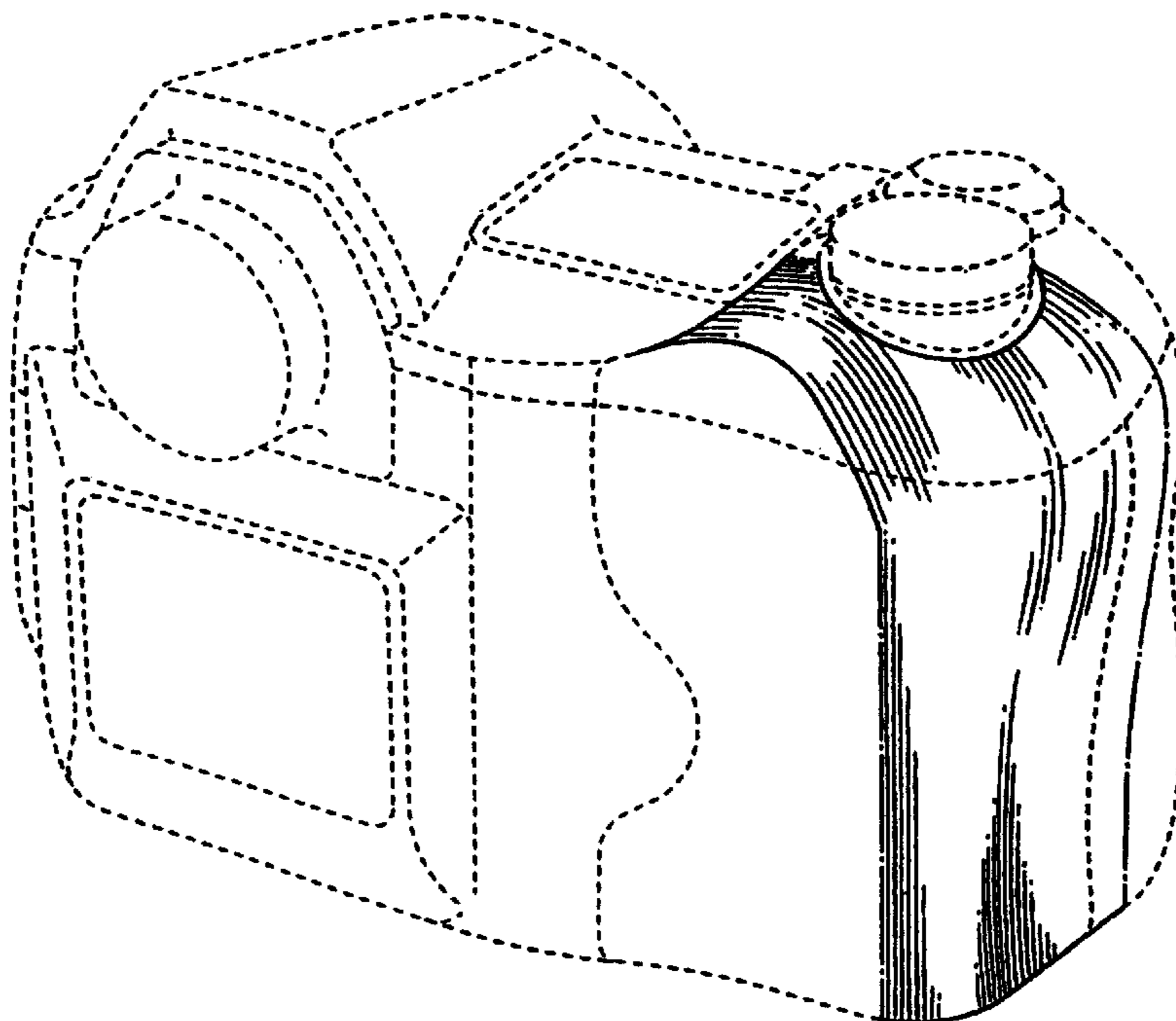


FIG. 1

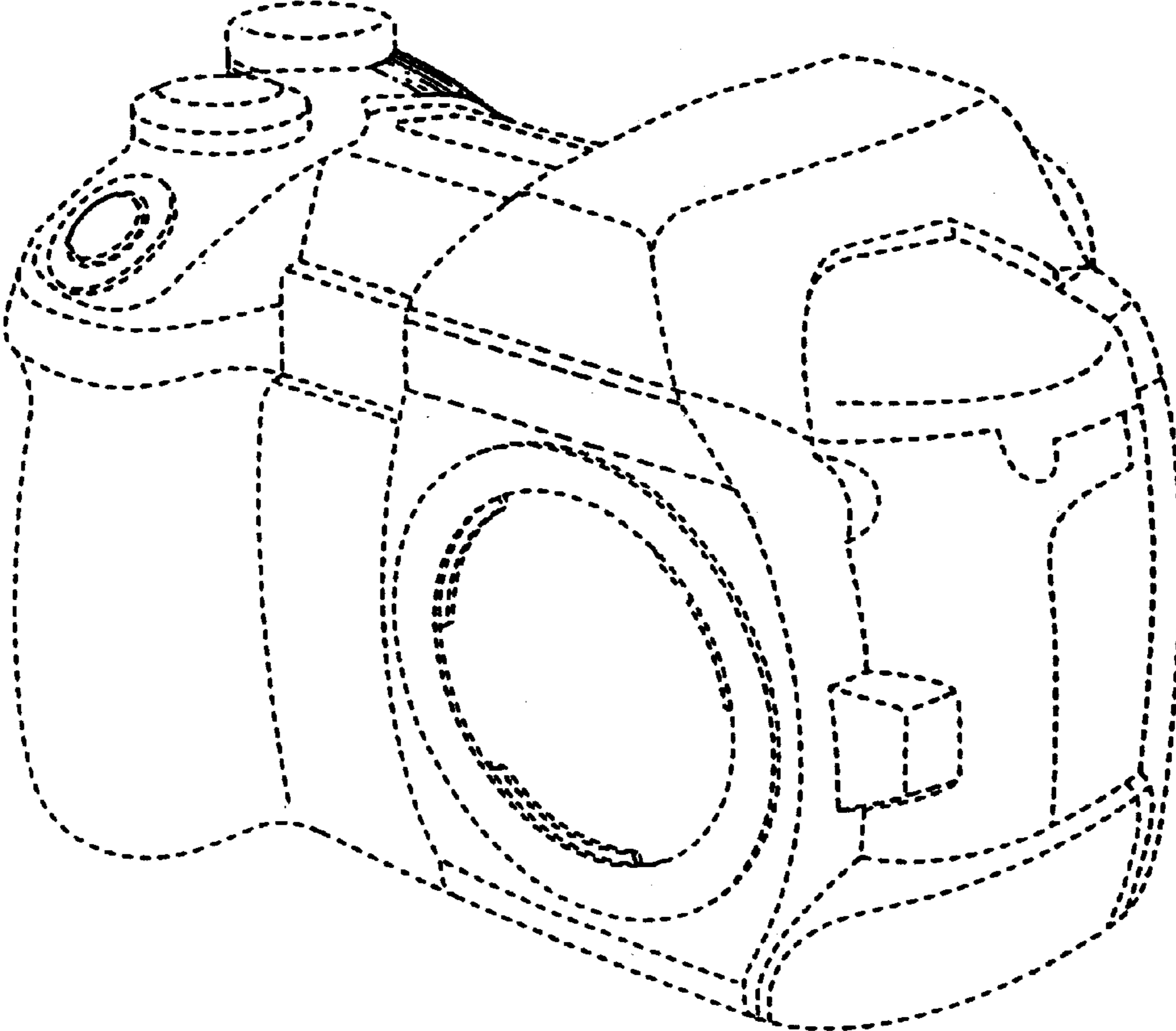


FIG. 2

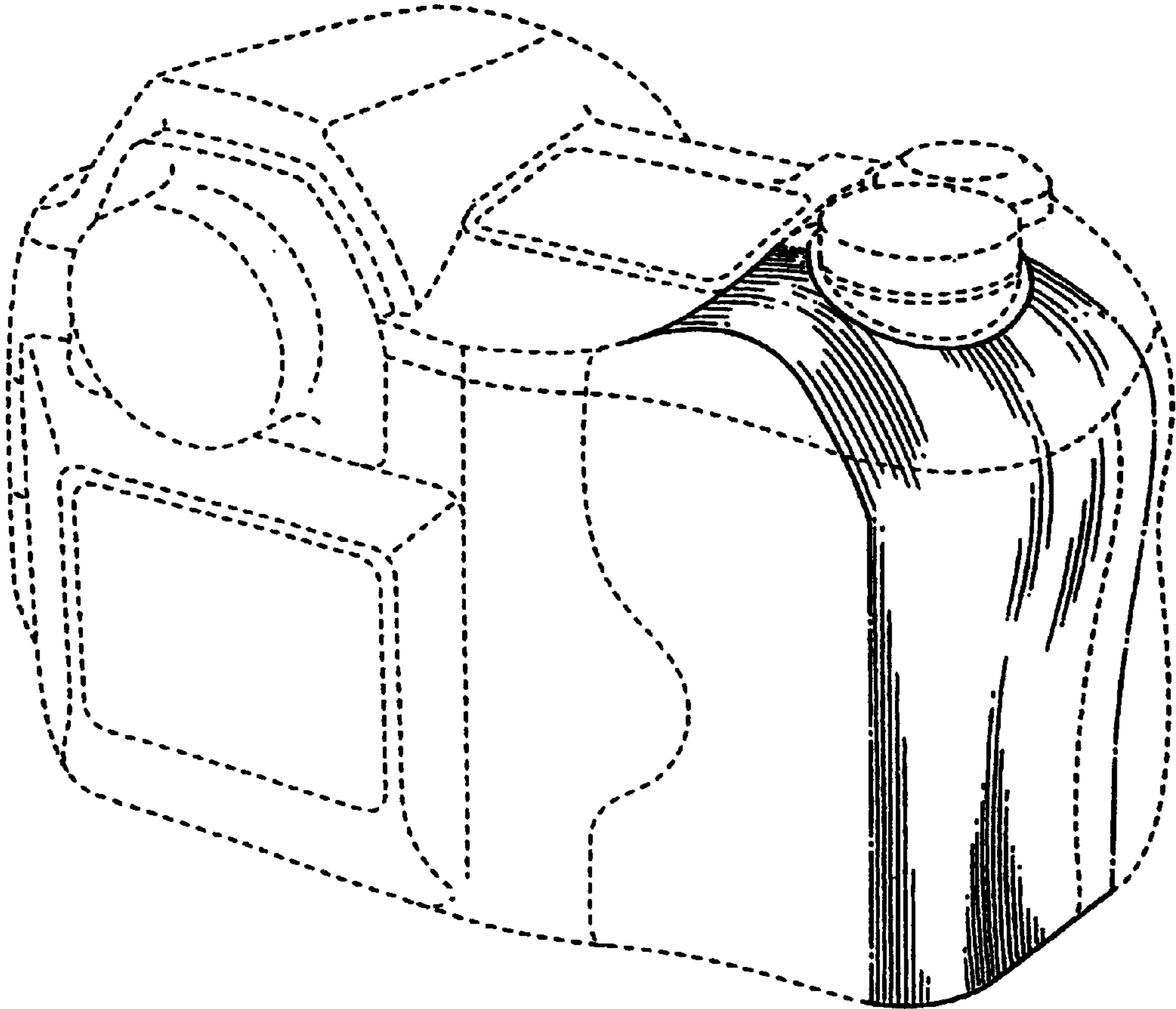


FIG. 3

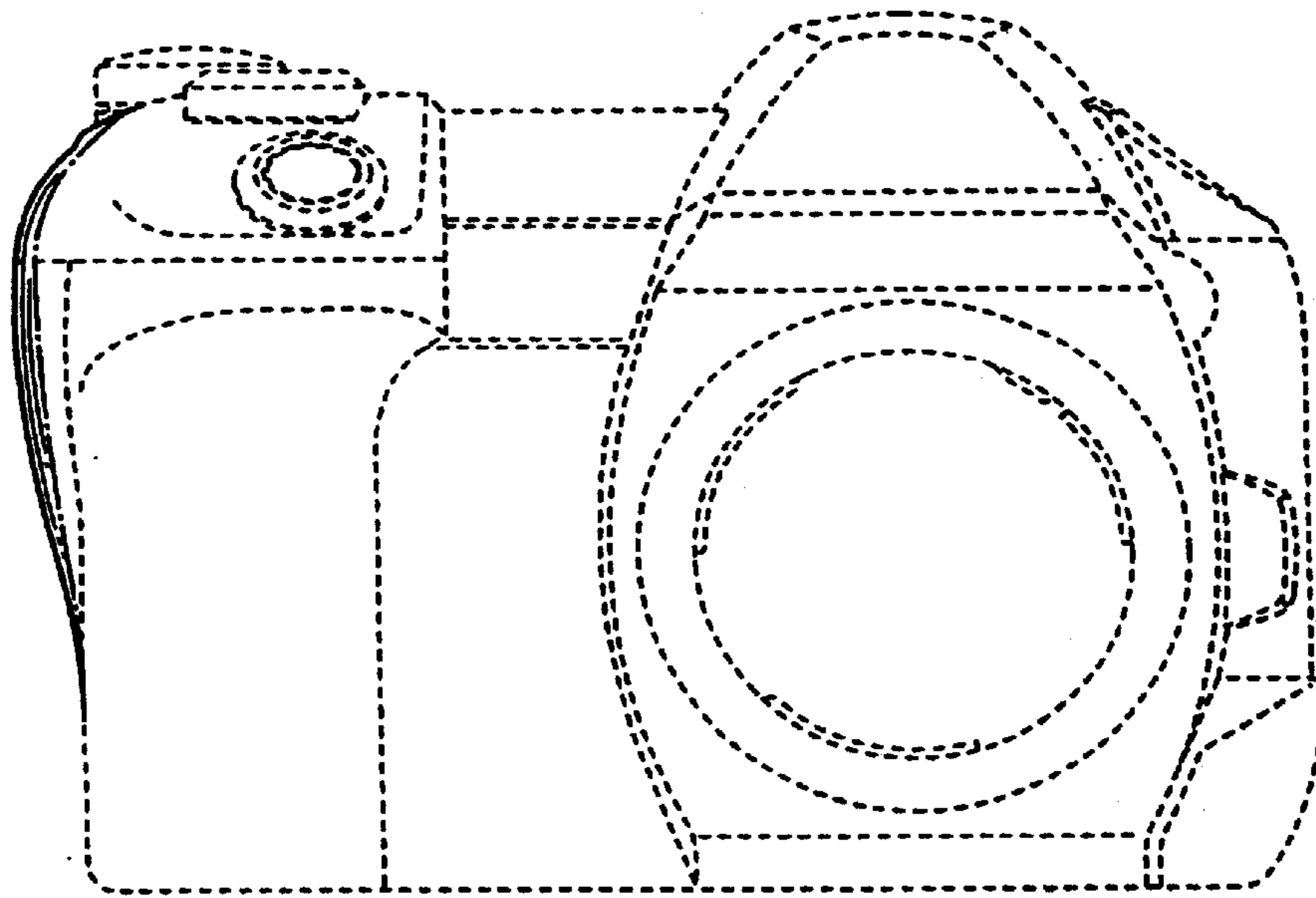


FIG. 4

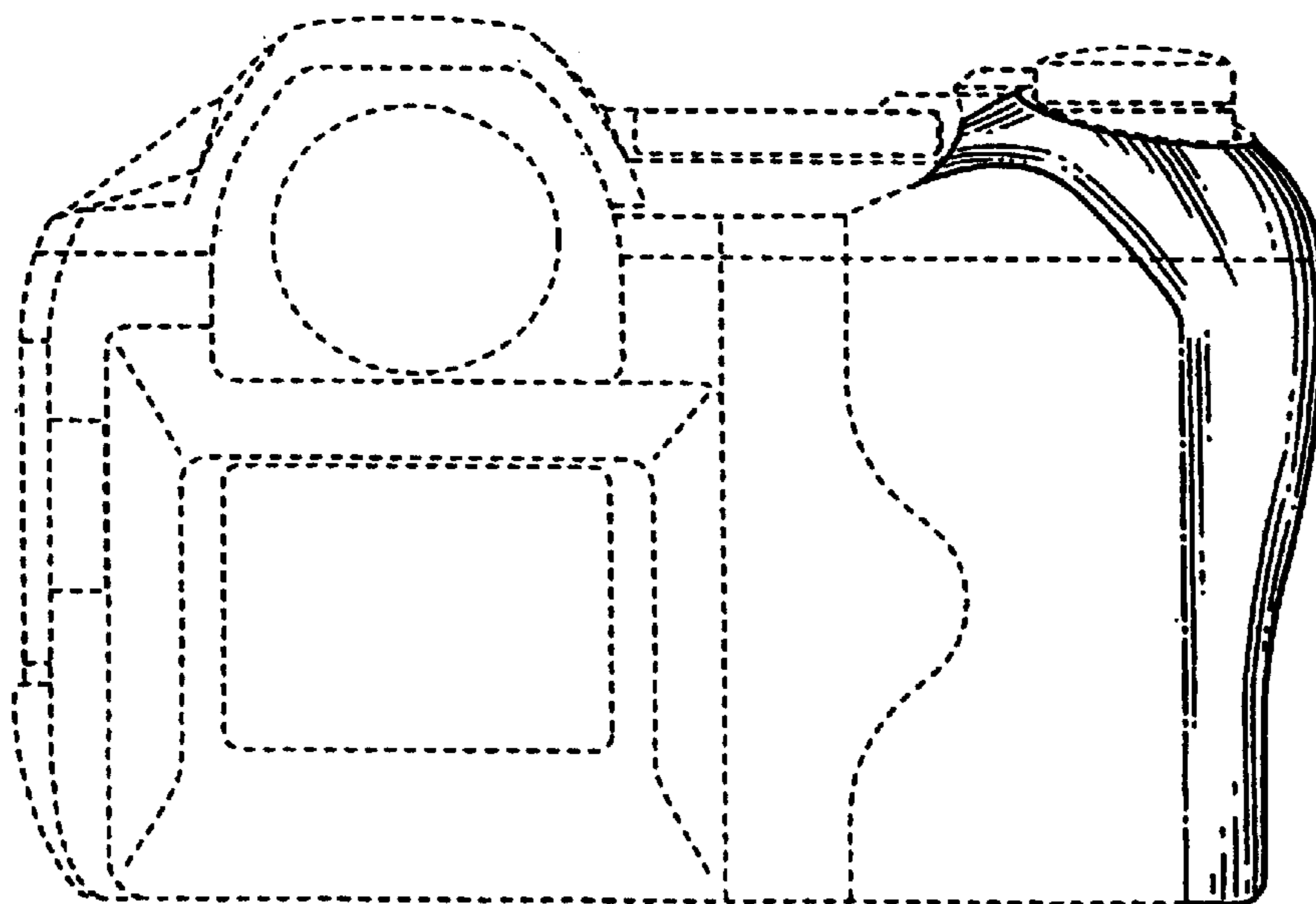


FIG. 5

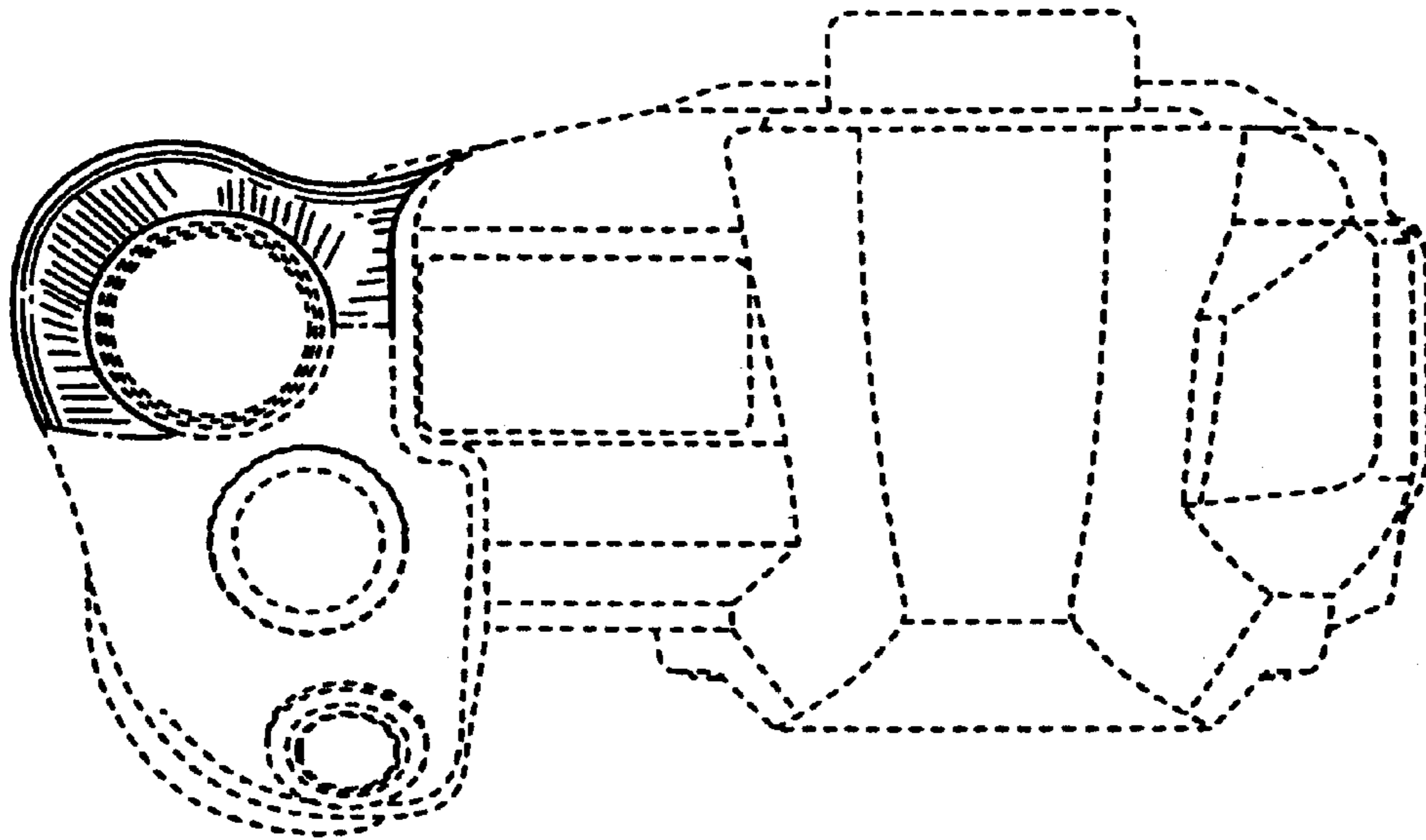


FIG. 6

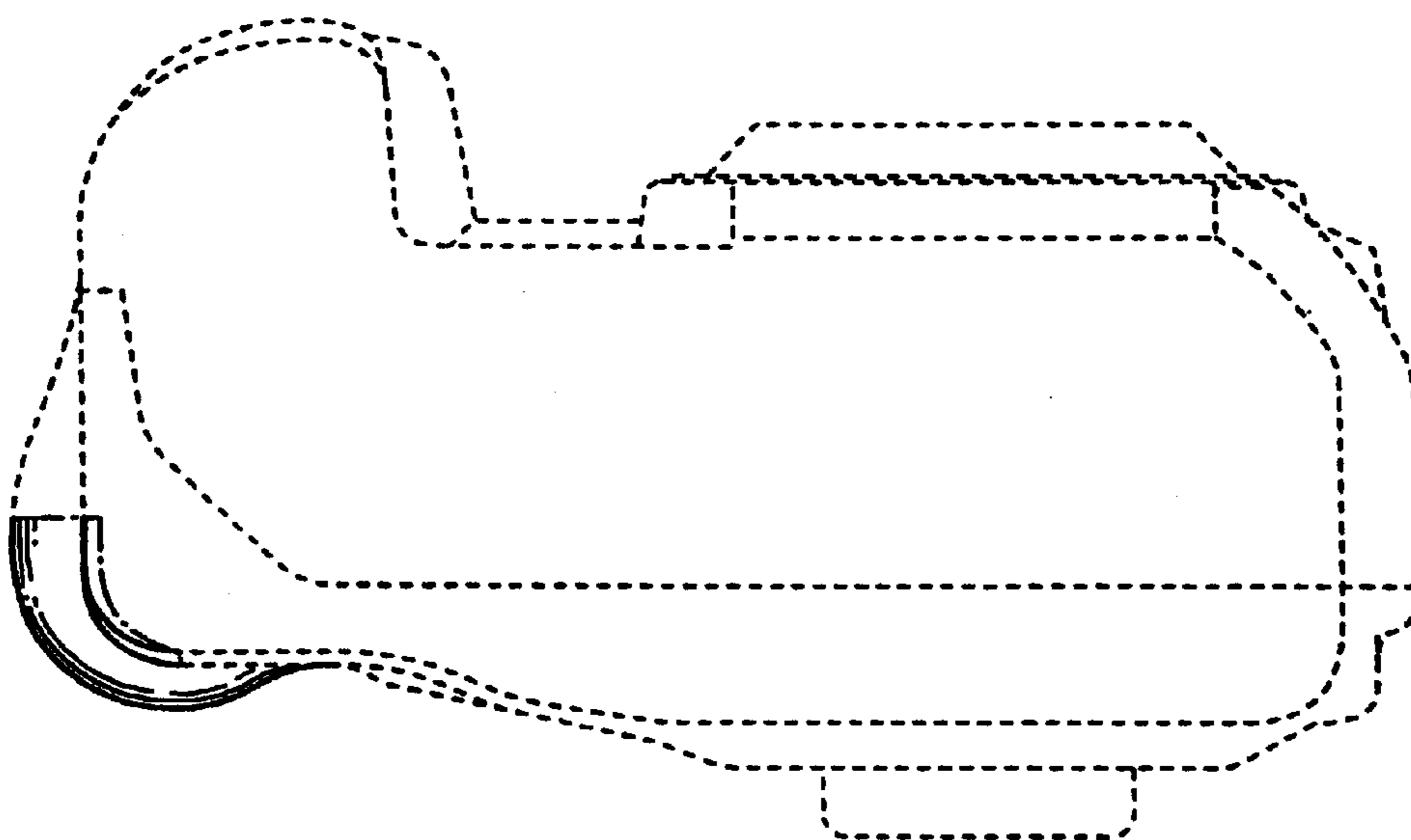


FIG. 7

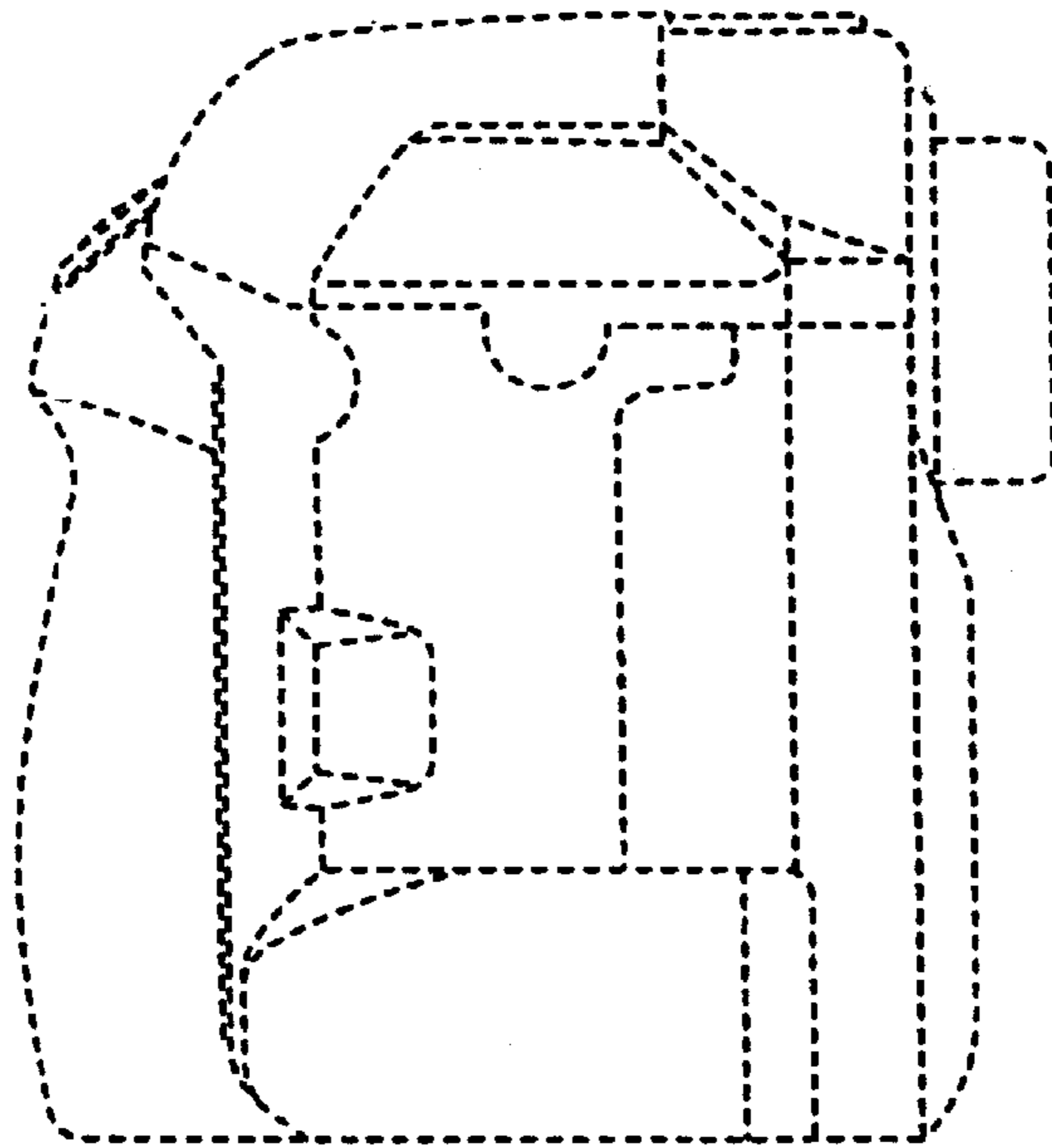


FIG. 8

