

US00D506490S

(12) **United States Design Patent**
Hayashi

(10) **Patent No.:** **US D506,490 S**
(45) **Date of Patent:** **** Jun. 21, 2005**

(54) **PORTION OF DIGITAL CAMERA**
(75) **Inventor:** **Yoshihiro Hayashi, Hachioji (JP)**
(73) **Assignee:** **Olympus Corporation, Tokyo (JP)**
(**) **Term:** **14 Years**

D387,078 S * 12/1997 Akita D16/202
D423,544 S * 4/2000 Yamamoto et al. D16/218
D475,071 S * 5/2003 Nagano D16/202
D484,167 S * 12/2003 Naito D16/219
D484,902 S * 1/2004 Baba D16/202
6,788,894 B2 * 9/2004 Suzuki et al. 348/373

* cited by examiner

(21) **Appl. No.:** **29/186,030**
(22) **Filed:** **Jul. 7, 2003**

Primary Examiner—Adir Aronovich
(74) *Attorney, Agent, or Firm*—Hogan & Hartson, LLP

(30) **Foreign Application Priority Data**

May 28, 2003 (JP) 2003-014911
May 28, 2003 (JP) 2003-014912
May 28, 2003 (JP) 2003-014914
May 28, 2003 (JP) 2003-014915
May 28, 2003 (JP) 2003-014916
May 28, 2003 (JP) 2003-014917

(57) **CLAIM**

The ornamental design for a portion of digital camera, as shown and described.

(51) **LOC (8) Cl.** **16-05**
(52) **U.S. Cl.** **D16/219; D16/202**
(58) **Field of Search** **D16/200–204,**
D16/208, 209, 218, 219, 237; 348/373–376;
358/906, 909.1; 396/535–541

DESCRIPTION

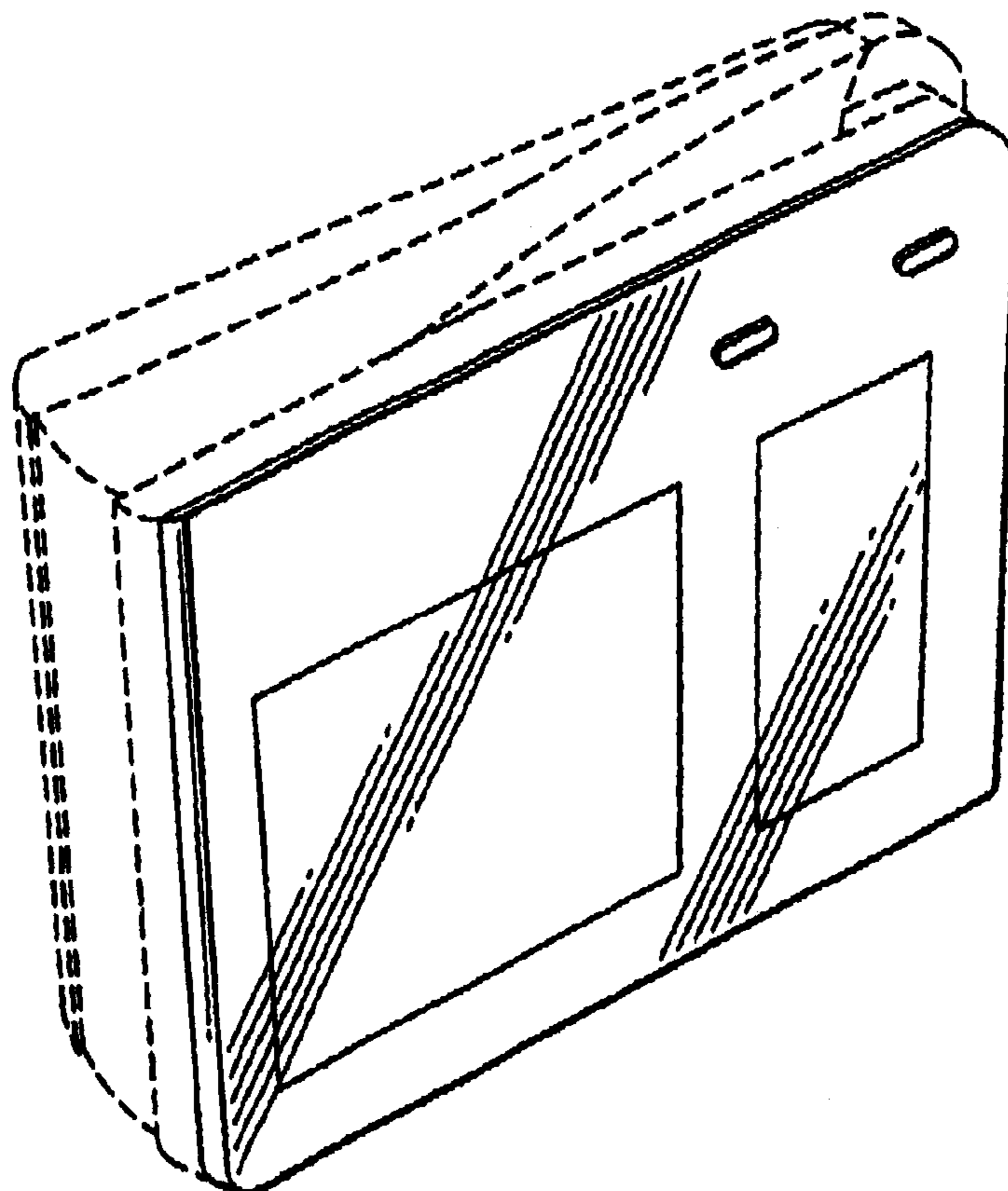
FIG. 1 is a rear, top and right side perspective view of a portion of a digital camera showing my new design; FIG. 2 is a front, top and left side perspective view thereof; FIG. 3 is a top plan view thereof; FIG. 4 is a left side elevational view thereof; FIG. 5 is a front elevational view thereof; FIG. 6 is a right side elevational view thereof; FIG. 7 is a bottom plan view thereof; and, FIG. 8 is a rear elevational view thereof. The broken lines are for illustrative purposes only and form no part of the claimed design.

(56) **References Cited**

U.S. PATENT DOCUMENTS

4,456,931 A * 6/1984 Toyoda et al. 358/906

1 Claim, 2 Drawing Sheets



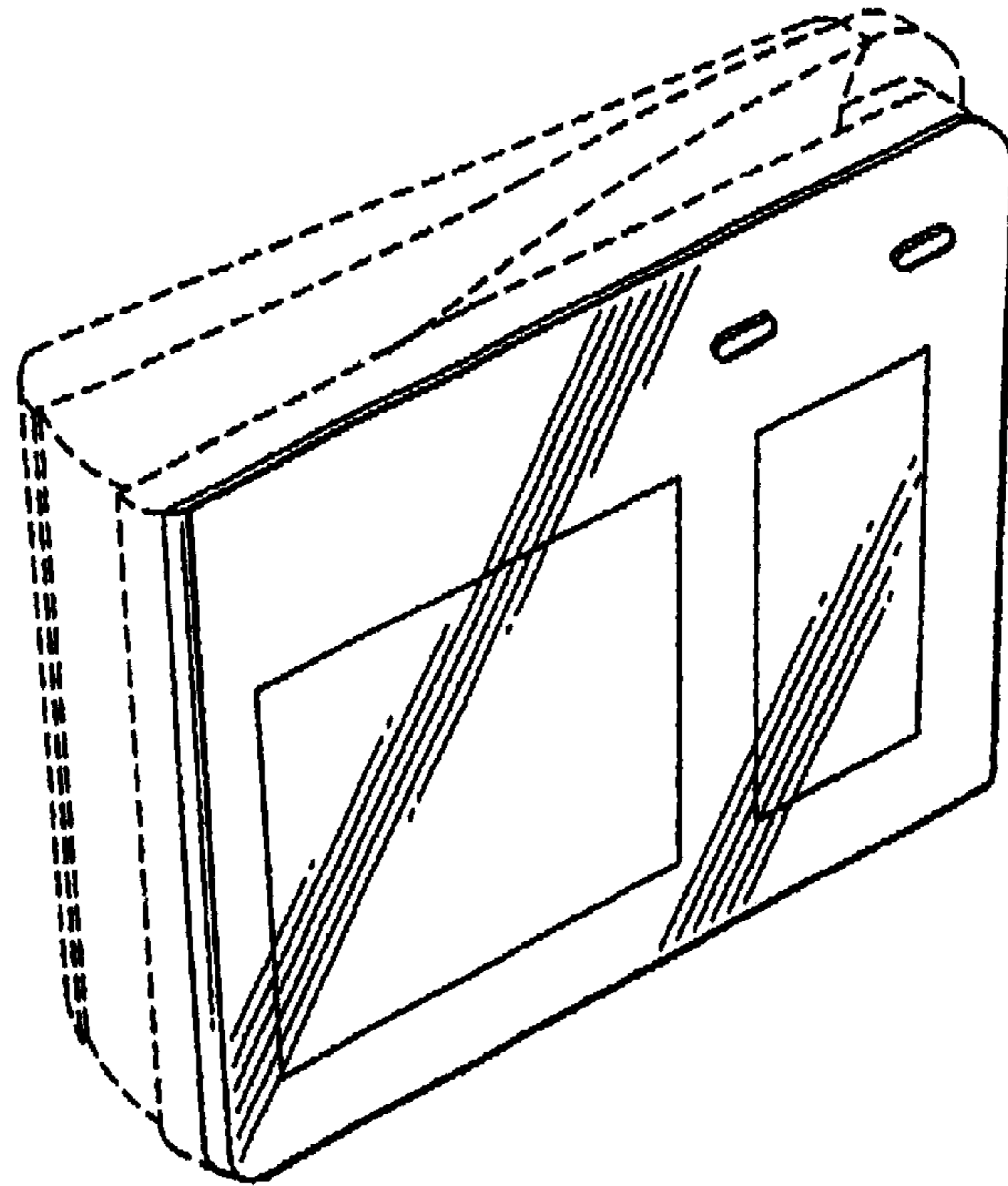


FIG. 1

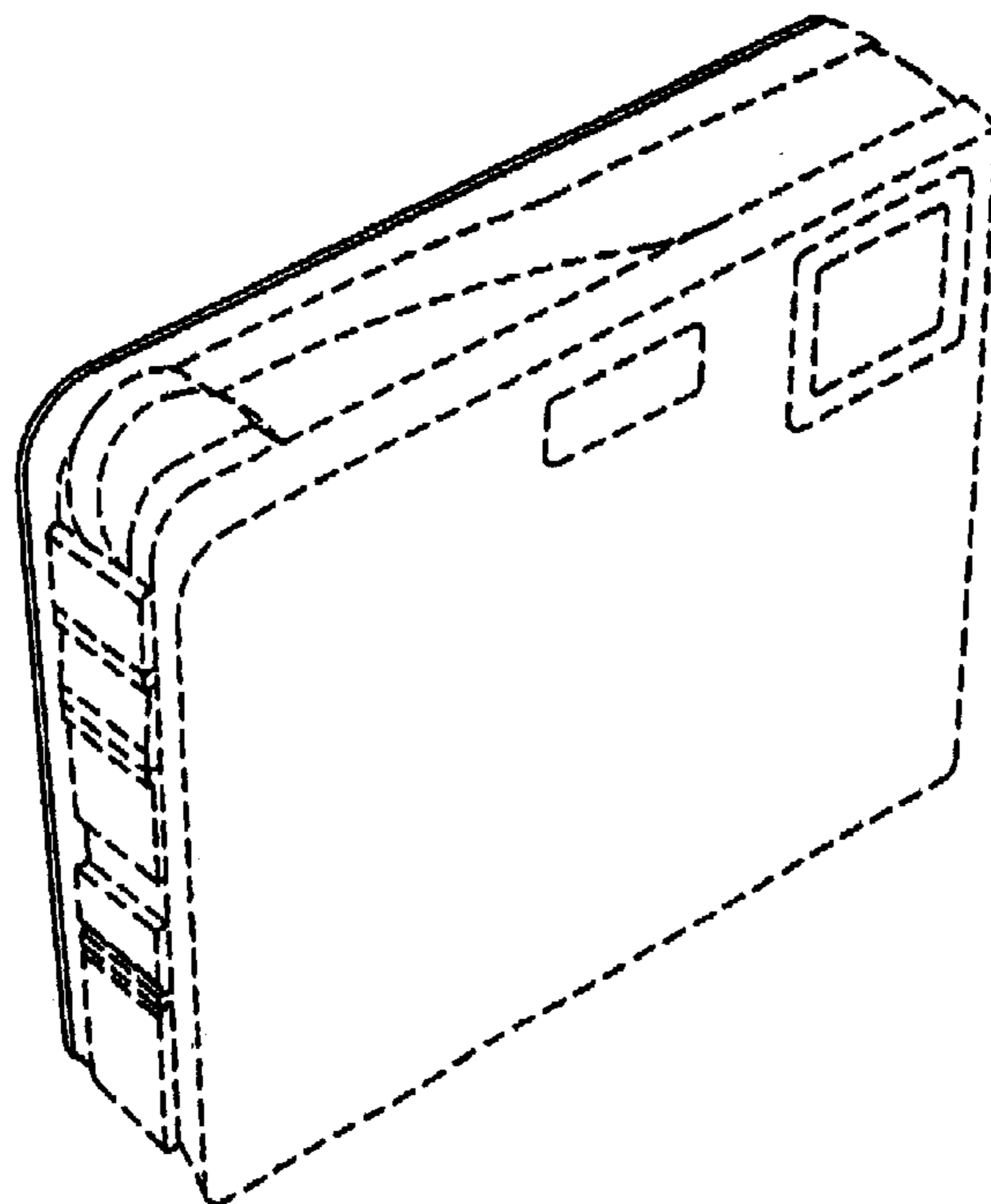


FIG. 2

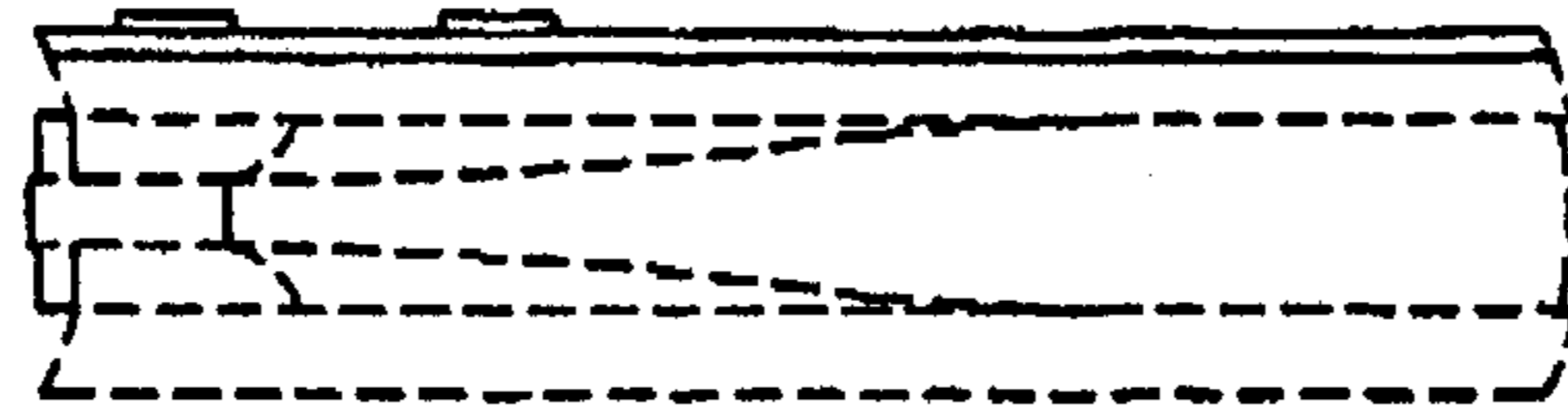


FIG. 3

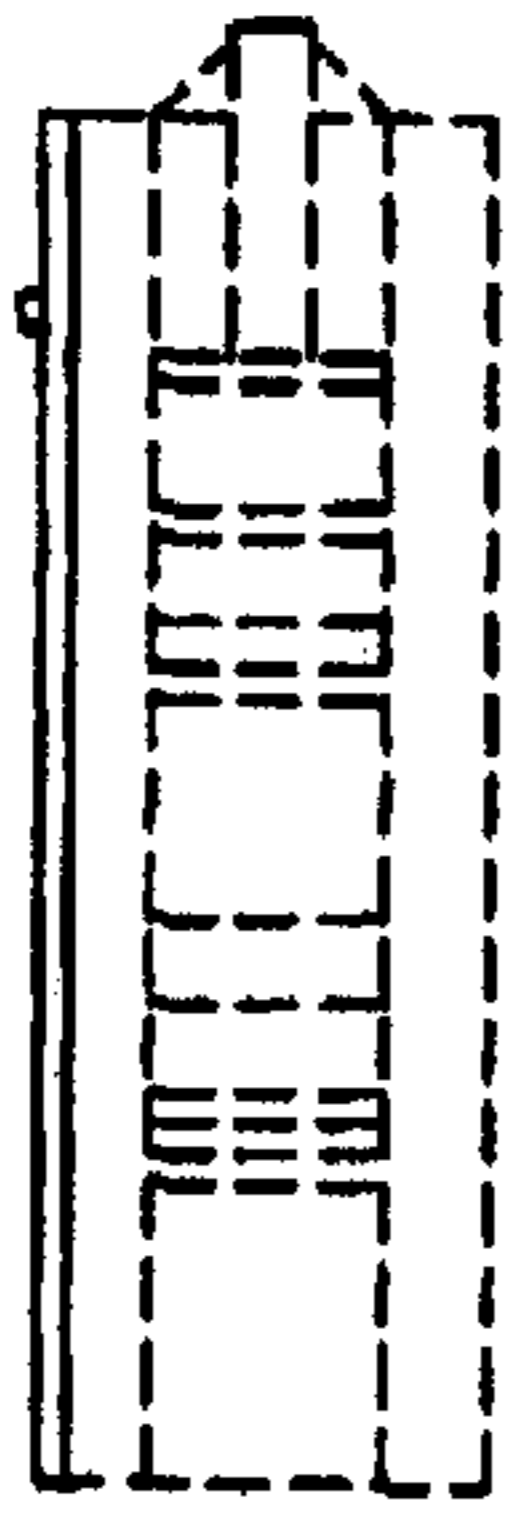


FIG. 4

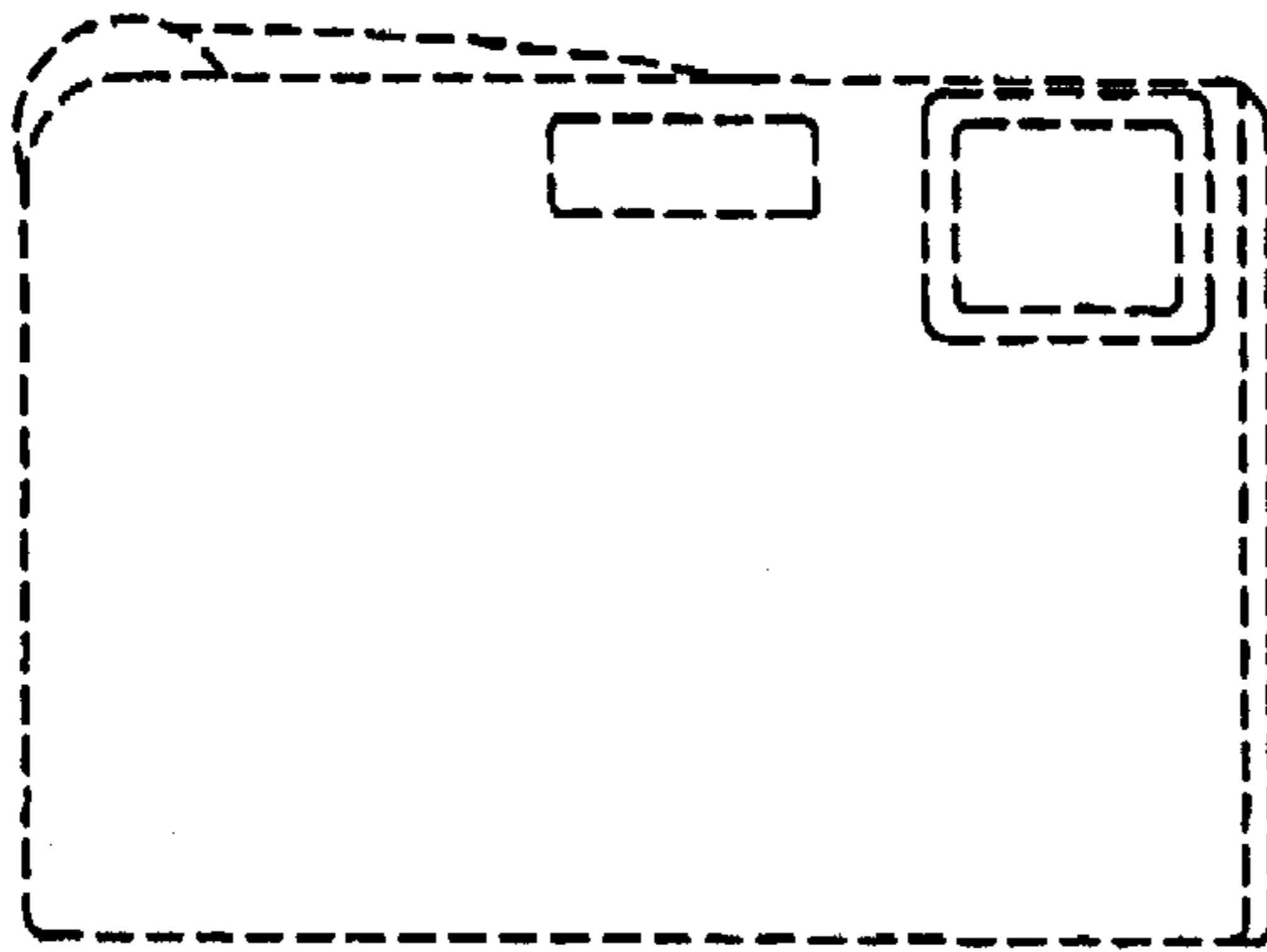


FIG. 5

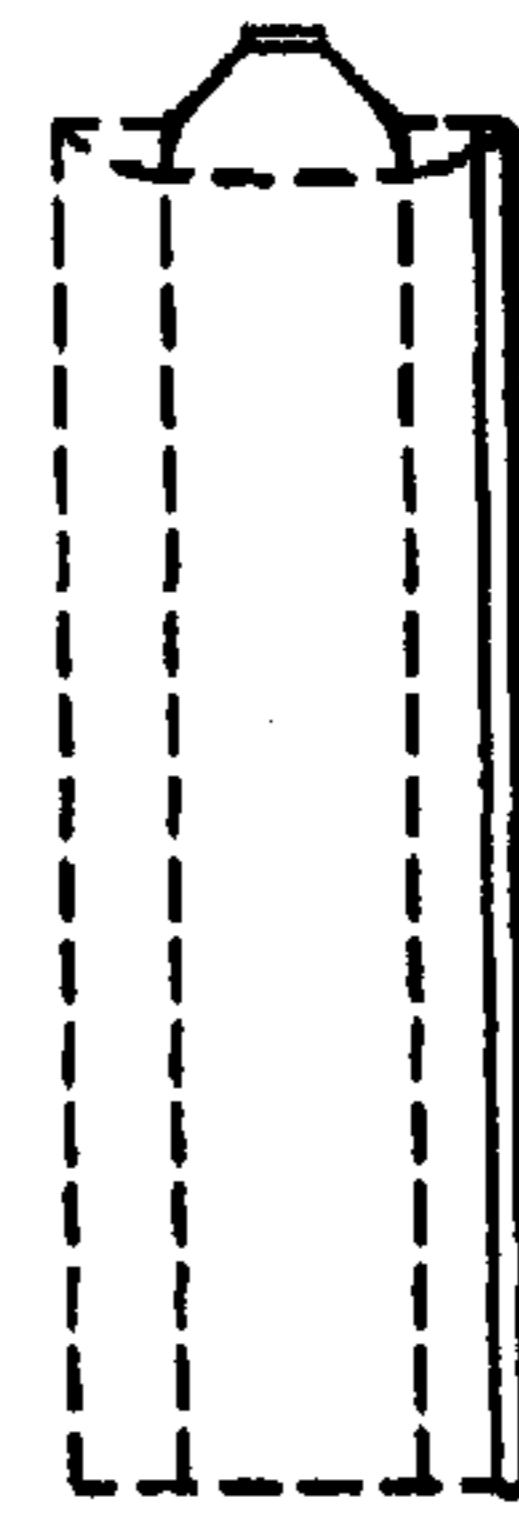


FIG. 6

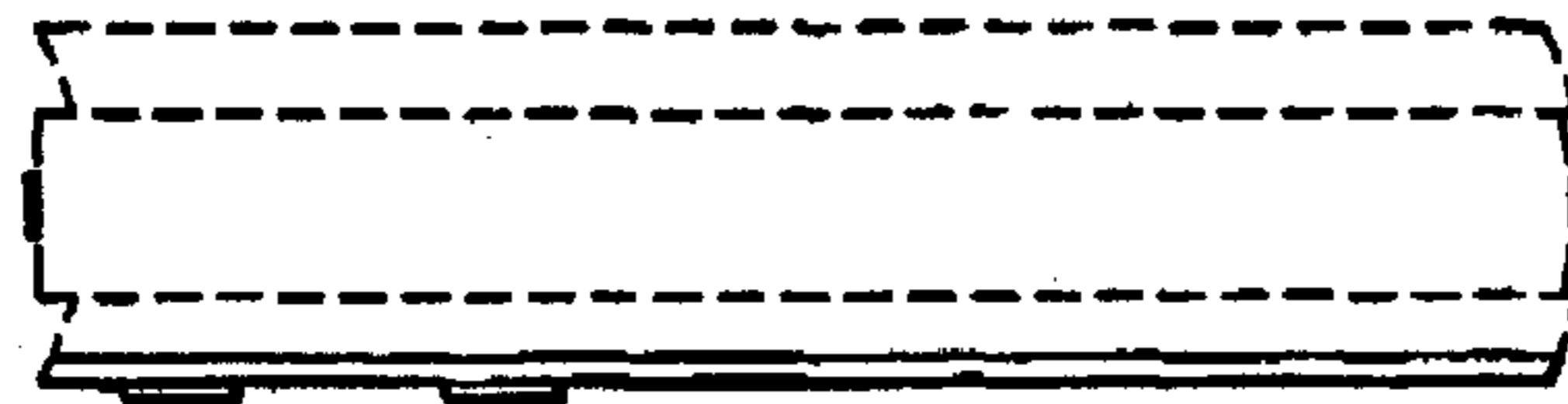


FIG. 7

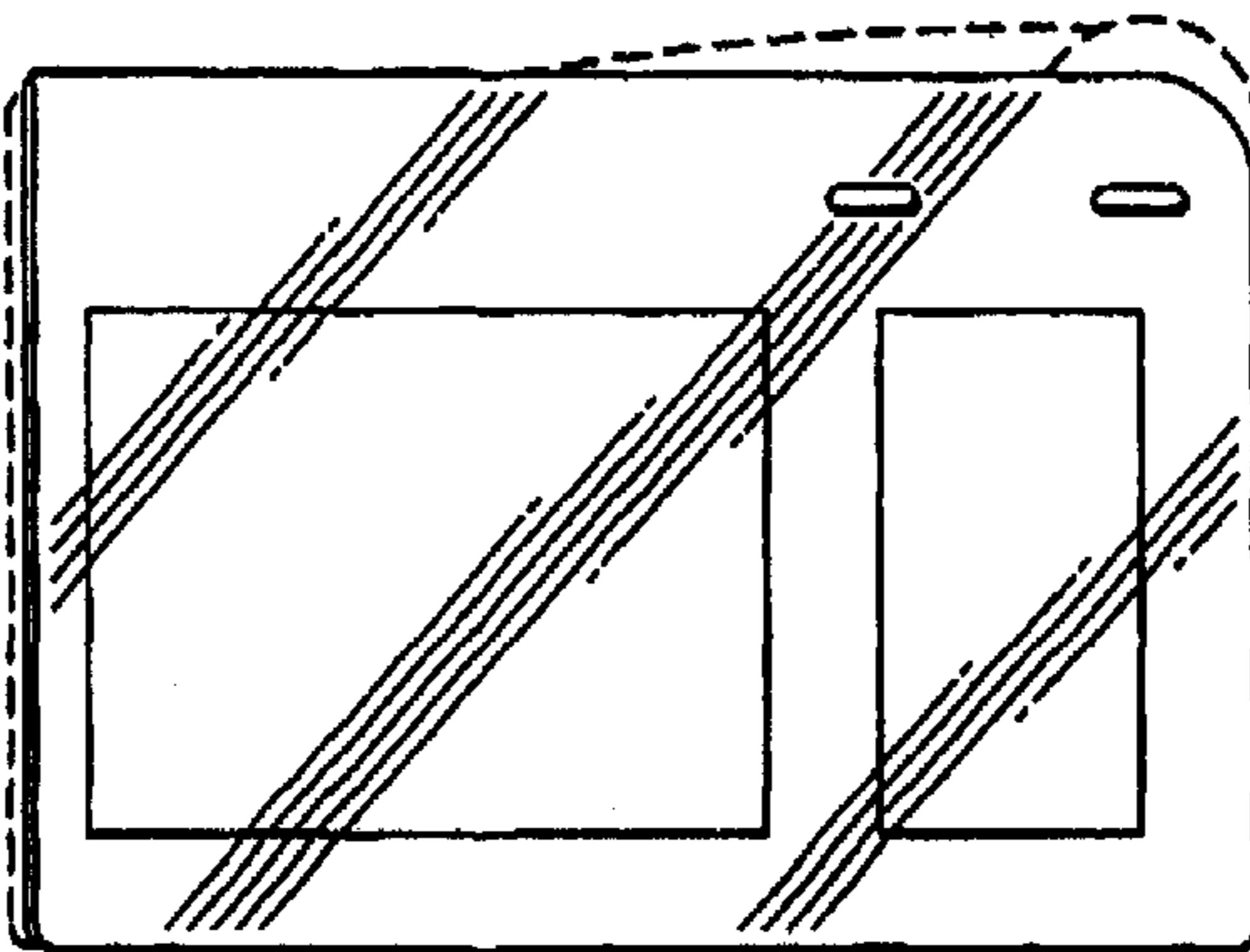


FIG. 8