



US00D506489S

(12) **United States Design Patent**
Owada

(10) **Patent No.:** **US D506,489 S**
(45) **Date of Patent:** **** *Jun. 21, 2005**

(54) **CAMERA FOR MONITORING**
(75) **Inventor:** **Takayasu Owada, Kawasaki (JP)**
(73) **Assignee:** **CBC Co., Ltd., Tokyo (JP)**

5,966,176 A * 10/1999 Chow et al. 348/373
D428,618 S * 7/2000 McBride D16/203
D430,888 S * 9/2000 Adachi et al. D16/203
D484,159 S * 12/2003 Cheng D16/203
D484,903 S * 1/2004 Cheng D16/203

(*) **Notice:** This patent is subject to a terminal disclaimer.

* cited by examiner

(**) **Term:** **14 Years**

Primary Examiner—Adir Aronovich
(74) *Attorney, Agent, or Firm*—Fross Zelnick Lehrman & Zissu, P.C.; Lawrence E. Apolzon; David I. Greenbaum

(21) **Appl. No.:** **29/185,944**

(57) **CLAIM**

(22) **Filed:** **Jul. 7, 2003**

The ornamental design for a camera for monitoring, as shown and described.

(30) **Foreign Application Priority Data**

Jan. 28, 2003 (JP) 2003-001794

DESCRIPTION

(51) **LOC (8) Cl.** **16-01**
(52) **U.S. Cl.** **D16/203**
(58) **Field of Search** D16/200–205,
D16/208, 218; 348/143, 151, 373–376;
396/25, 427, 433, 535

FIG. 1 is a front top and right side perspective view of a camera for monitoring, showing my new design;
FIG. 2 is a front elevational view thereof;
FIG. 3 is a rear elevational view thereof;
FIG. 4 is a top plan view thereof;
FIG. 5 is a bottom plan view thereof;
FIG. 6 is a right side elevational view thereof; and,
FIG. 7 is a left side elevational view thereof.

(56) **References Cited**

U.S. PATENT DOCUMENTS

D378,095 S * 2/1997 Hasegawa D16/203

1 Claim, 2 Drawing Sheets

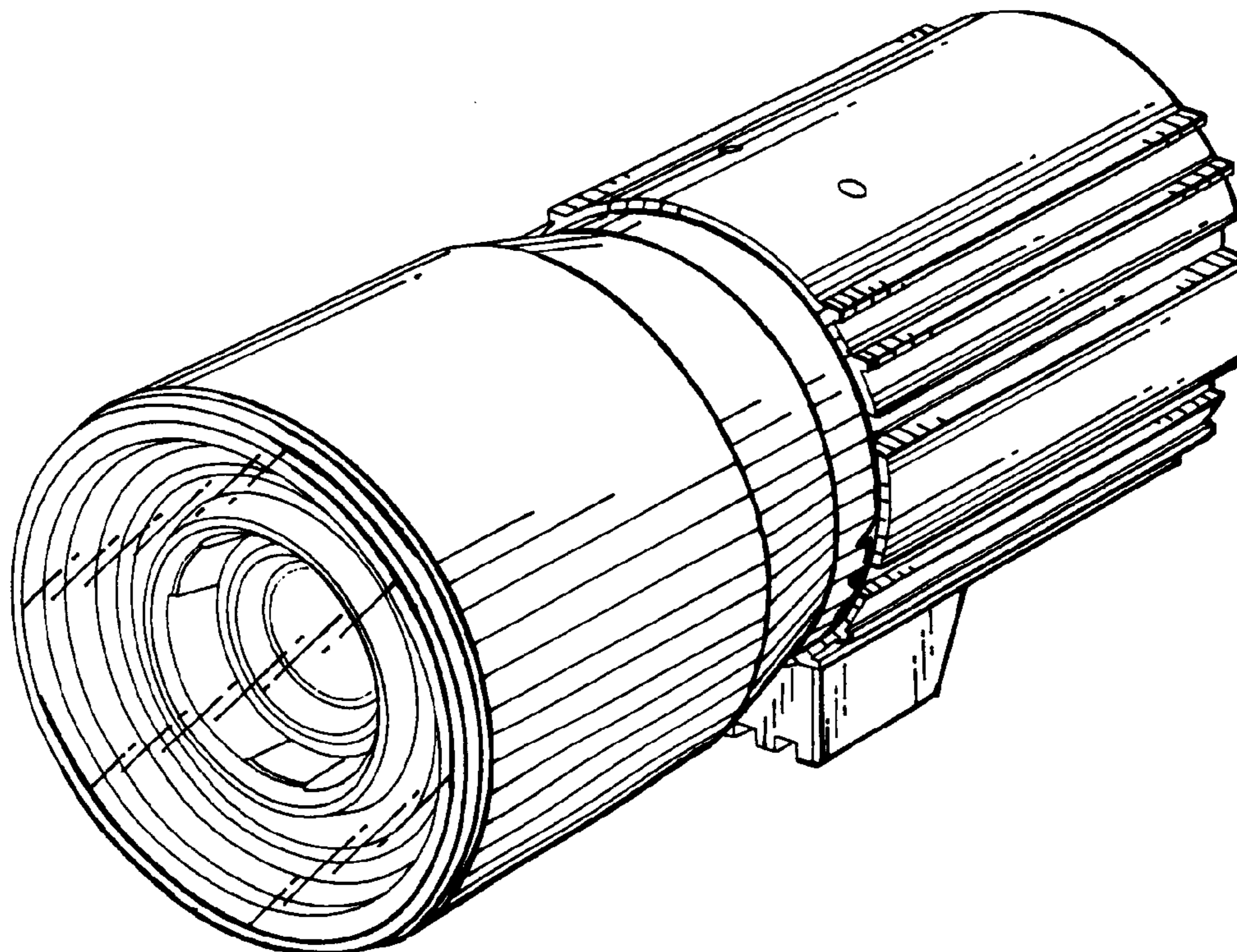


FIG. 1

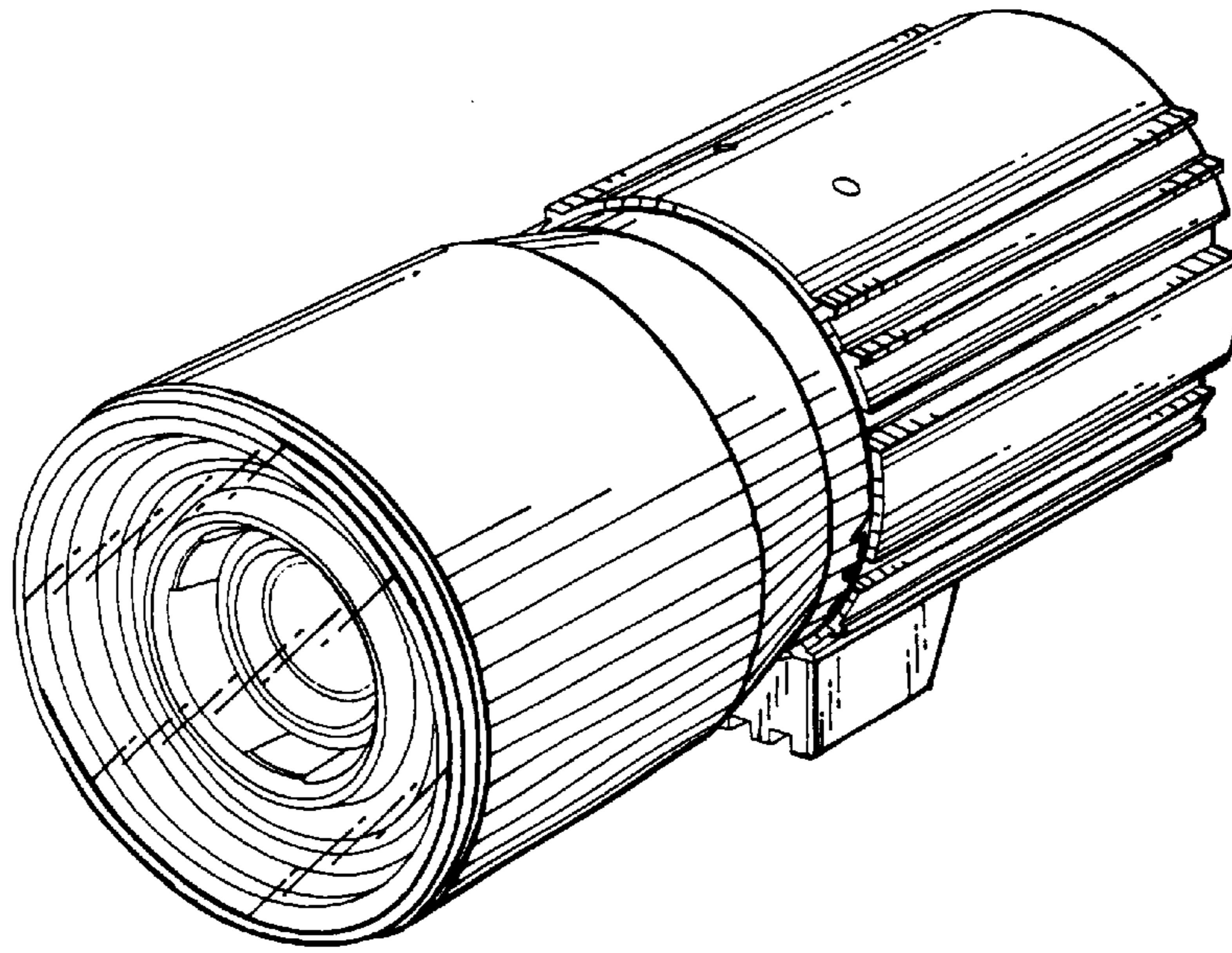


FIG. 2

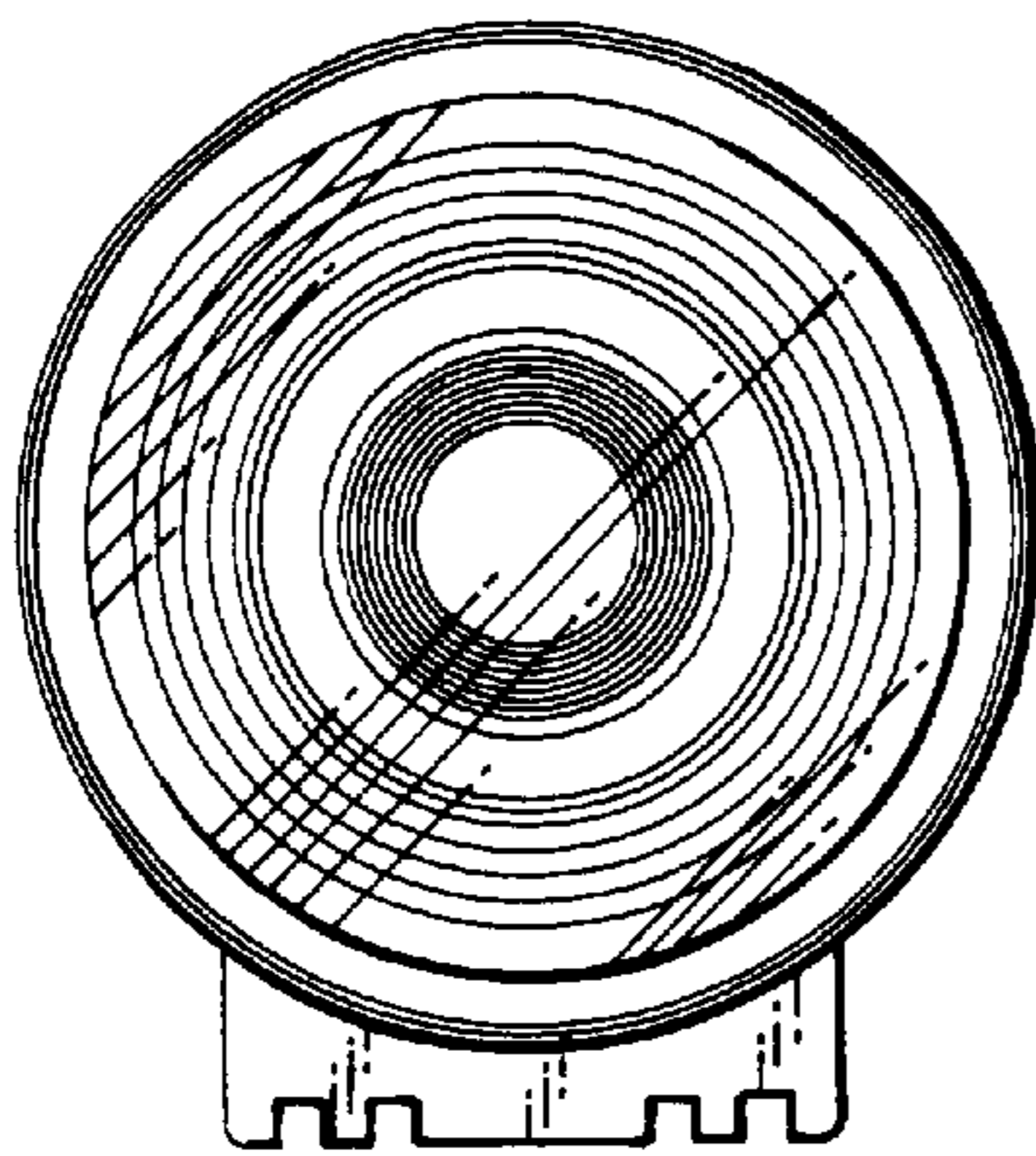


FIG. 3

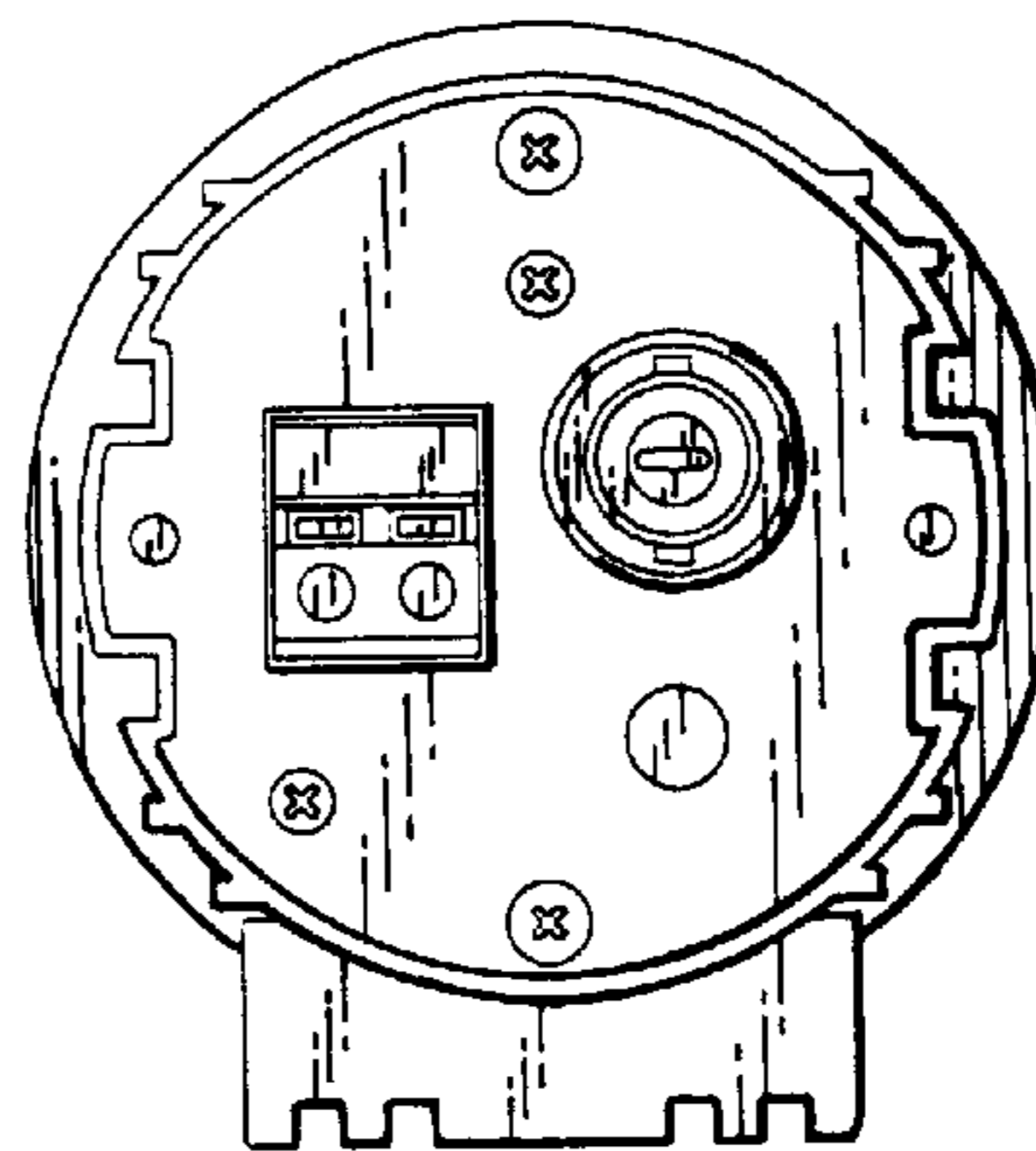


FIG. 5

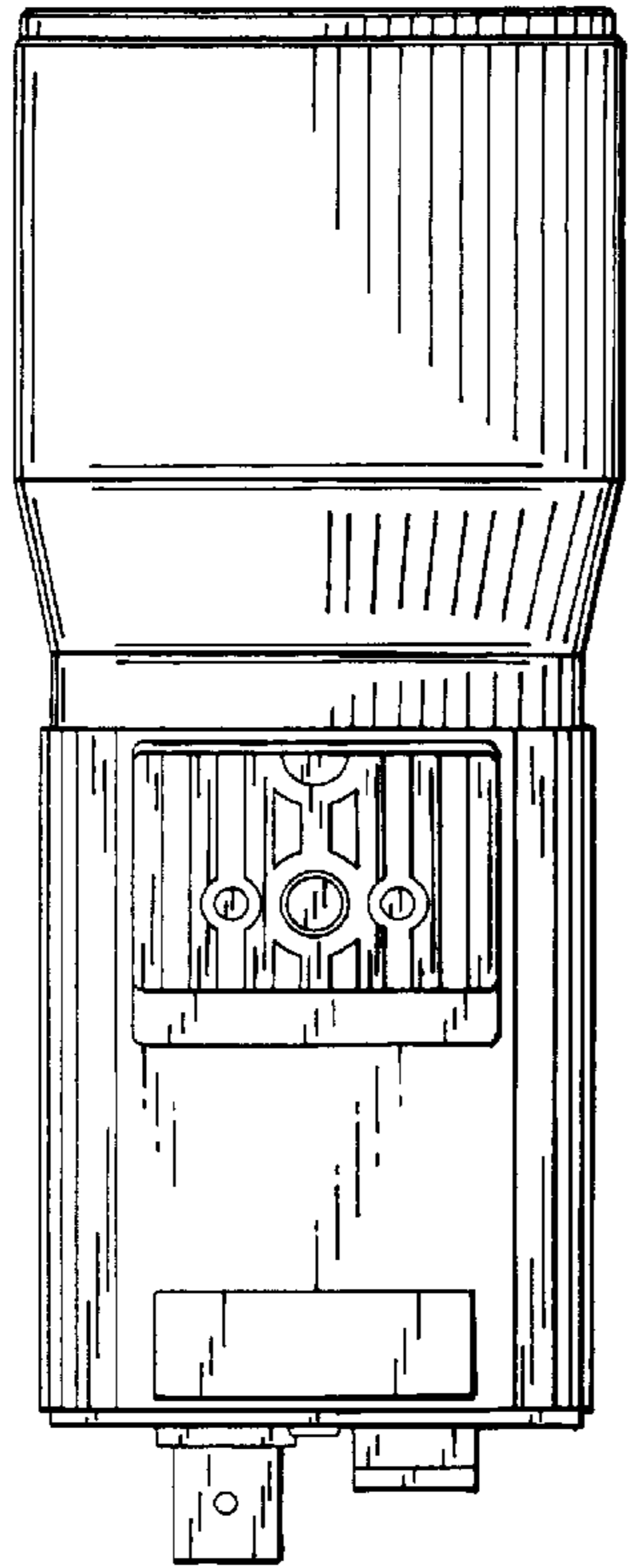


FIG. 4

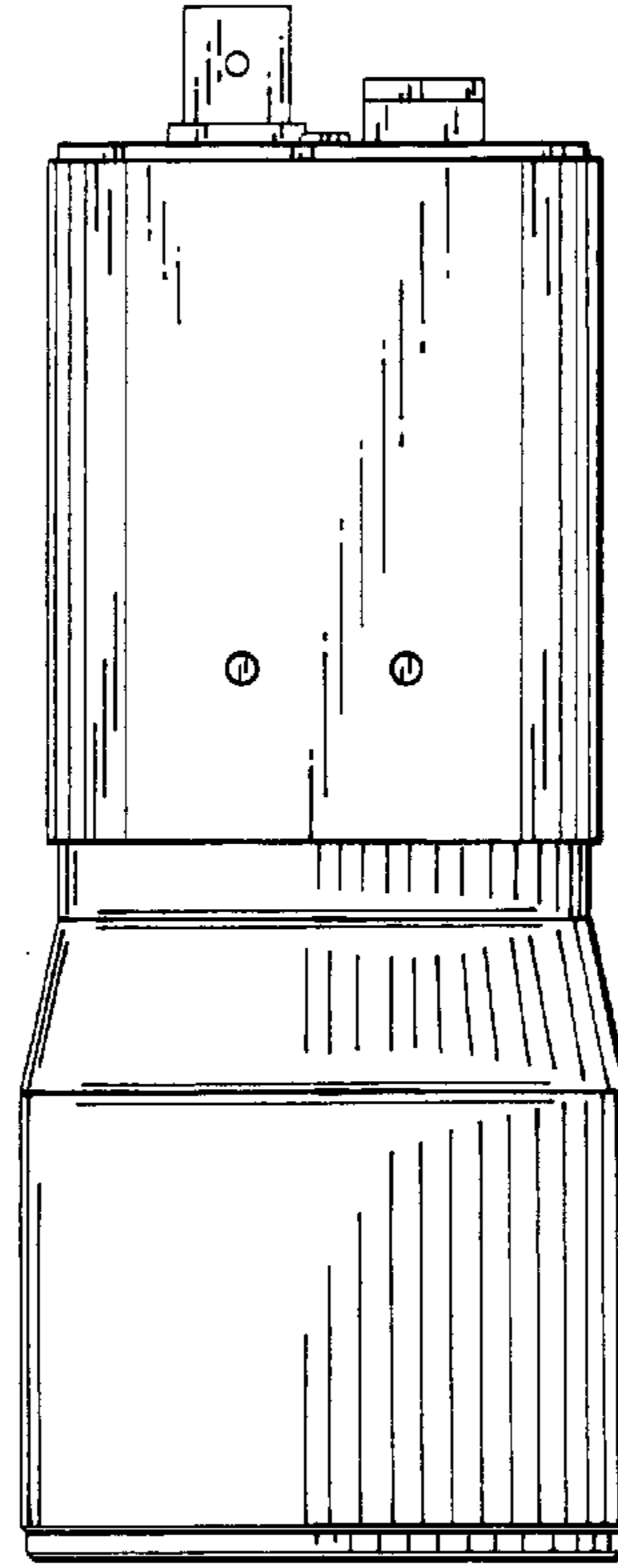


FIG. 6

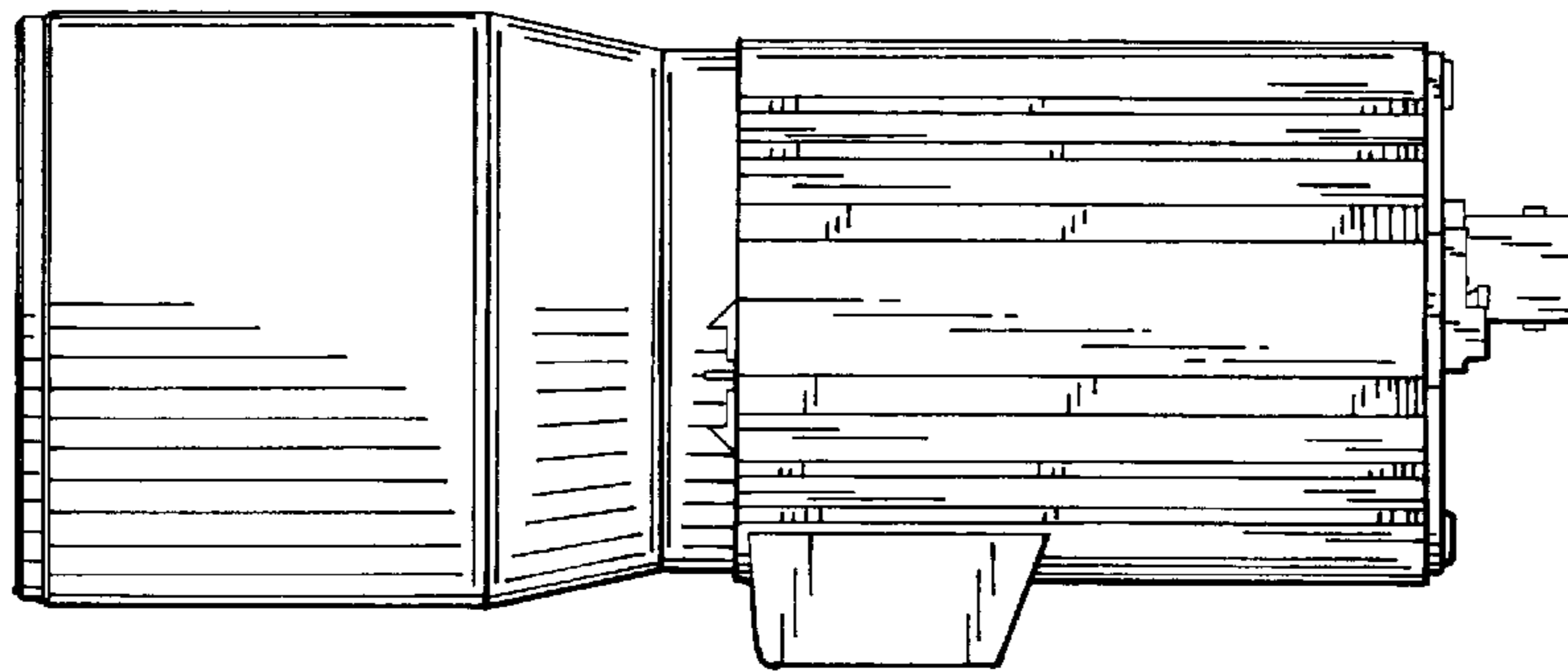


FIG. 7

