

US00D506488S

(12) **United States Design Patent**  
**Iinuma et al.**

(10) **Patent No.:** **US D506,488 S**  
(45) **Date of Patent:** **\*\* Jun. 21, 2005**

(54) **COMBINED MONITOR, VIDEO TAPE RECORDER AND VIDEO CAMERA**

(75) Inventors: **Masaki Iinuma**, Tochigi-ken (JP);  
**Keiichi Takao**, Tochigi-ken (JP)

(73) Assignee: **Sharp Kabushiki Kaisha**, Osaka (JP)

(\*\*) Term: **14 Years**

(21) Appl. No.: **29/205,745**

(22) Filed: **May 20, 2004**

(30) **Foreign Application Priority Data**

Nov. 20, 2003 (JP) ..... 2003-034577

(51) **LOC (8) Cl.** ..... **16-01**

(52) **U.S. Cl.** ..... **D16/202**

(58) **Field of Search** ..... D16/200–206,  
D16/208, 218; 348/373–376; 358/906; 396/535–541

(56) **References Cited**

**U.S. PATENT DOCUMENTS**

D341,368 S	11/1993	Ooi et al.	
D341,369 S	11/1993	Sakata	
D347,235 S	5/1994	Ooi et al.	
D347,236 S	5/1994	Ooi et al.	
D351,157 S	10/1994	Usami et al.	
D352,728 S	11/1994	Kurokawa et al.	
D352,729 S	11/1994	Tsujimura et al.	
D356,097 S	3/1995	Sakata et al.	
D356,589 S	* 3/1995	Sumita	..... D16/202
D365,116 S	12/1995	Ohi et al.	
D365,587 S	12/1995	Saeki et al.	
D366,269 S	1/1996	Ohi et al.	
D366,492 S	1/1996	Kume et al.	
D366,658 S	1/1996	Fukutome	

5,499,052 A	*	3/1996	Nakanishi et al.	.....	348/373
D380,226 S		6/1997	Ohi et al.		
D386,507 S		11/1997	Ohi et al.		
D392,298 S		3/1998	Ohi et al.		
D428,034 S		7/2000	Akiyama et al.		
D429,742 S	*	8/2000	Fukushima	.....	D16/202
D439,262 S		3/2001	Yamamoto et al.		
D439,263 S	*	3/2001	Shiotani	.....	D16/202
D440,588 S		4/2001	Ohi et al.		
D456,434 S	*	4/2002	Yamazaki	.....	D16/202
D471,218 S	*	3/2003	Sekine	.....	D16/202
D489,080 S	*	4/2004	Ito	.....	D16/202

\* cited by examiner

*Primary Examiner*—Adir Aronovich

(74) *Attorney, Agent, or Firm*—Nixon & Vanderhye

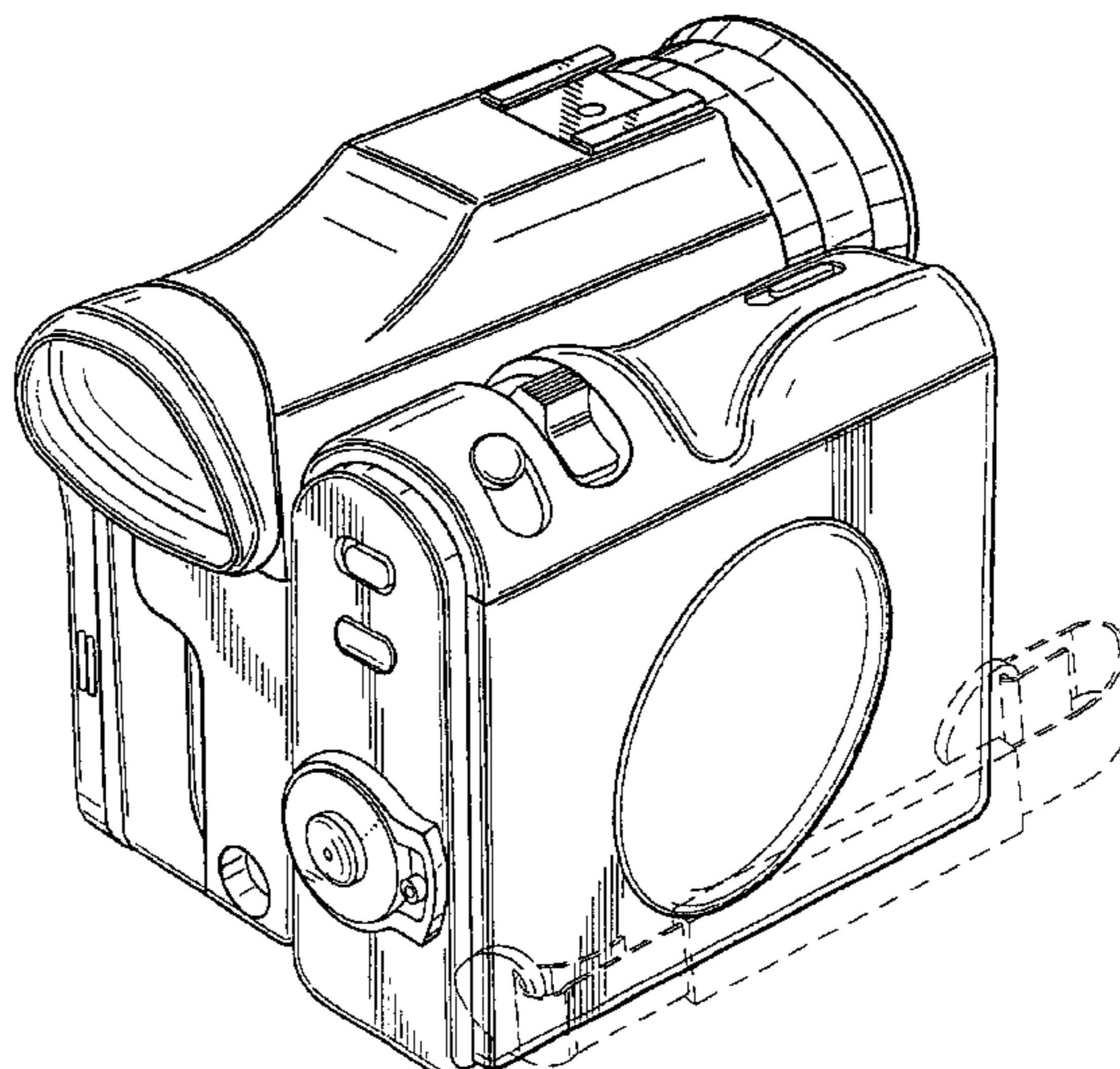
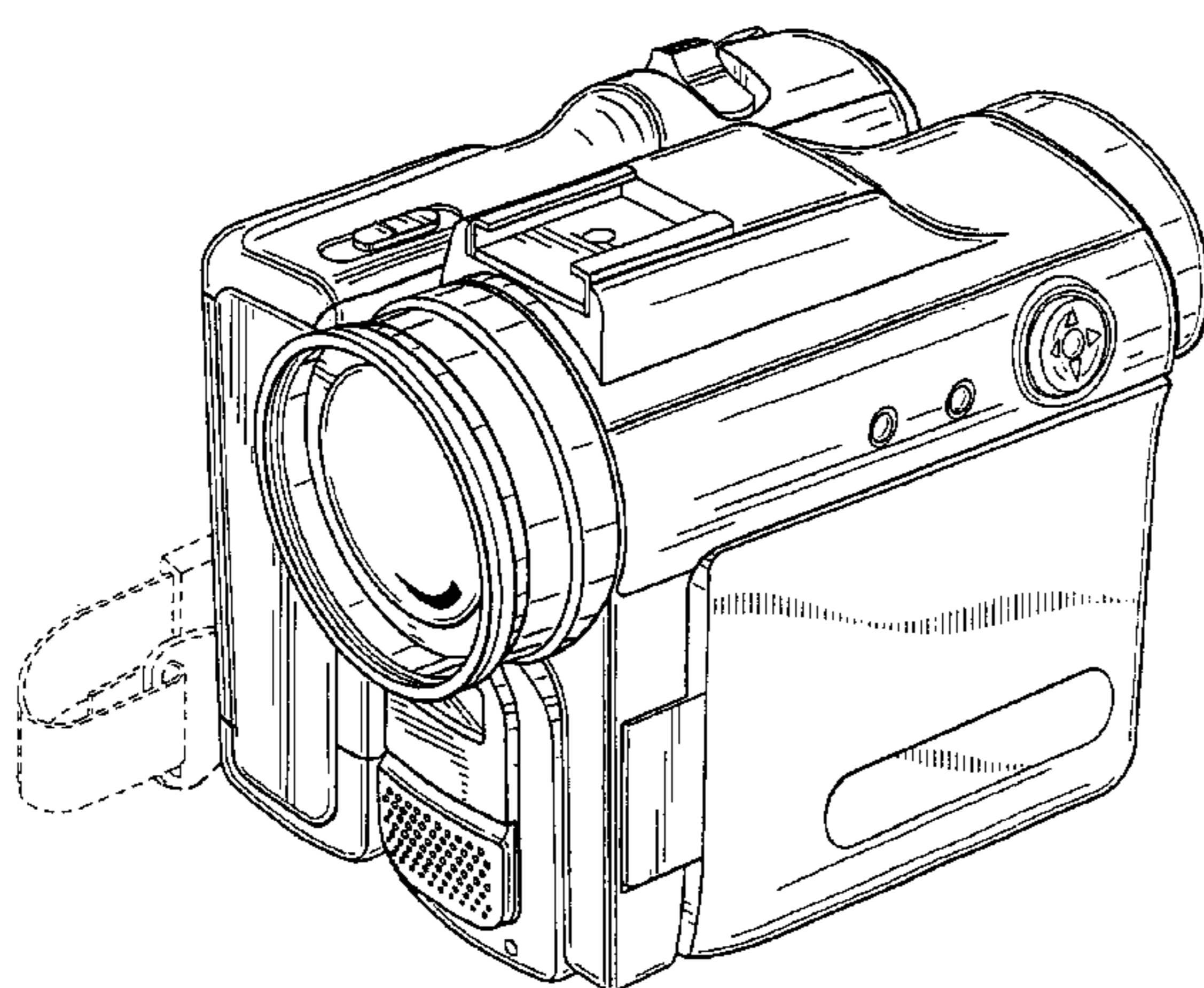
(57) **CLAIM**

The ornamental design for a combined monitor, video tape recorder and video camera, as shown and described.

**DESCRIPTION**

FIG. 1 is a top, front and right side perspective view of a combined monitor, video tape recorder and video camera according to our design;  
 FIG. 2 is a front elevational view thereof;  
 FIG. 3 is a rear elevational view thereof;  
 FIG. 4 is a left side elevational view thereof;  
 FIG. 5 is a right side elevational view thereof;  
 FIG. 6 is a top plan view thereof;  
 FIG. 7 is a bottom plan view thereof; and,  
 FIG. 8 is a top, rear and left side perspective view thereof.  
 The dashed lines illustrated in the drawing figures depict a strap and connections for handling the combined monitor, video tape recorder and video camera and which strap and connections form no part of the present invention.

**1 Claim, 8 Drawing Sheets**



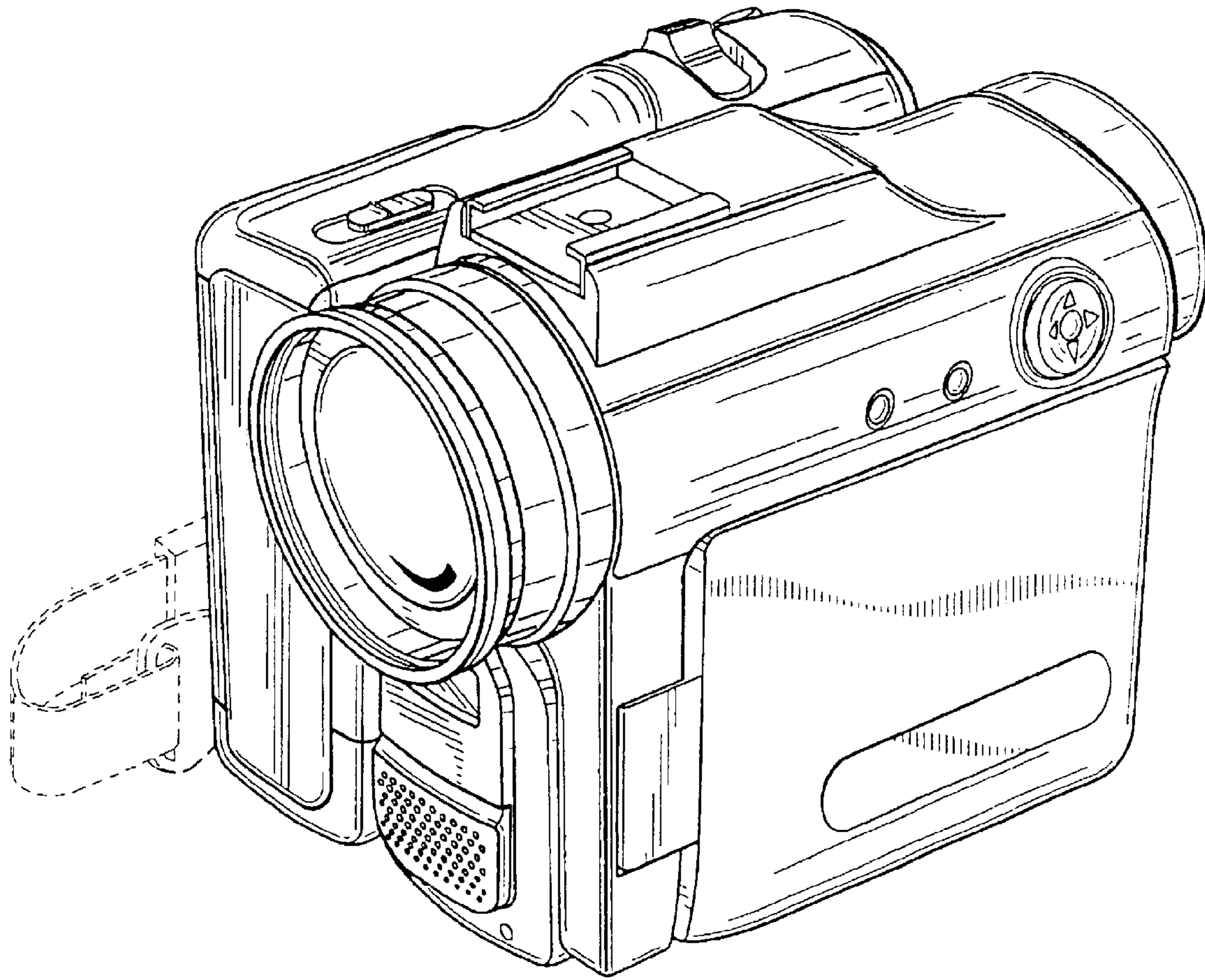


Fig. 1

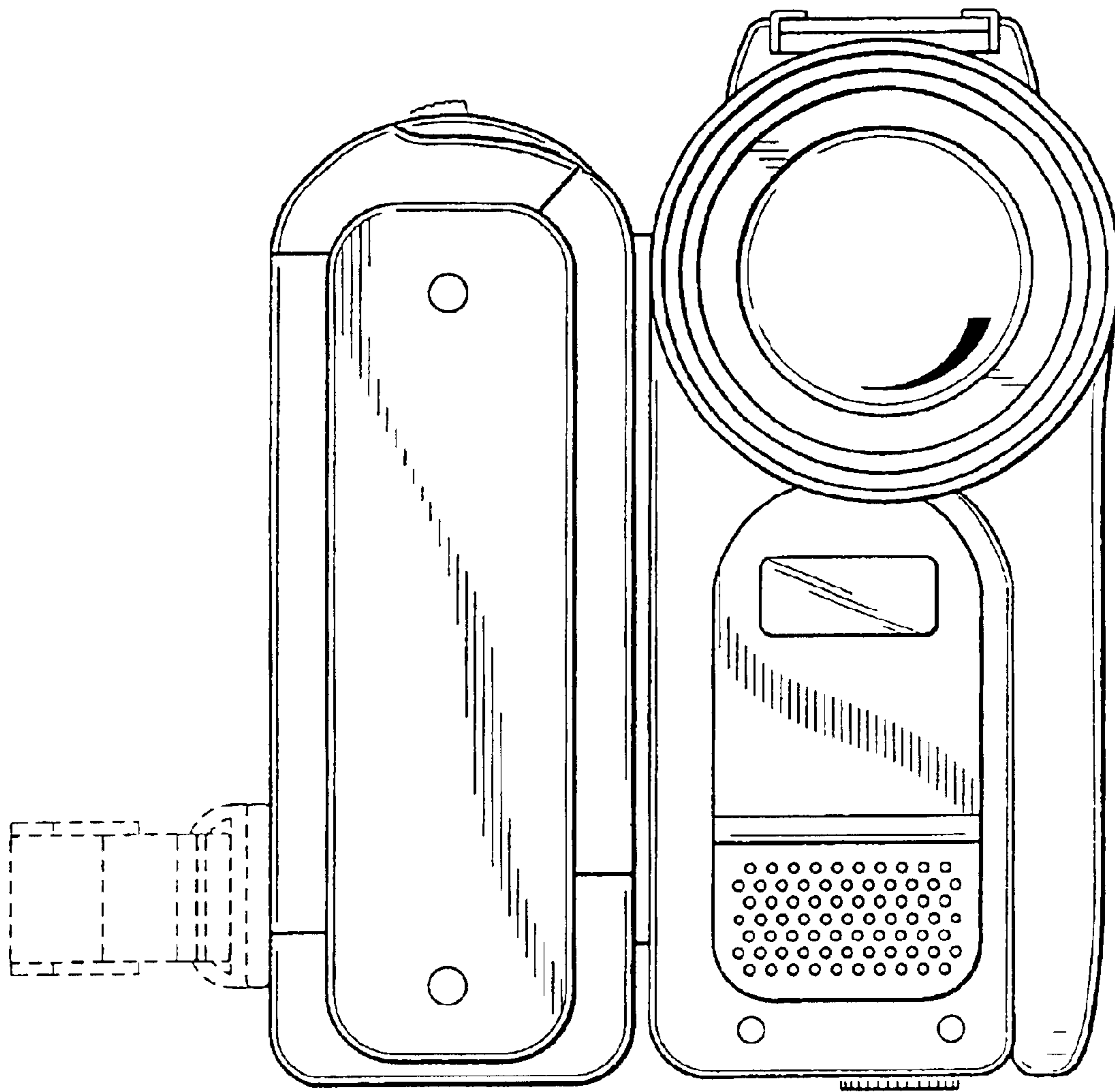


Fig.2

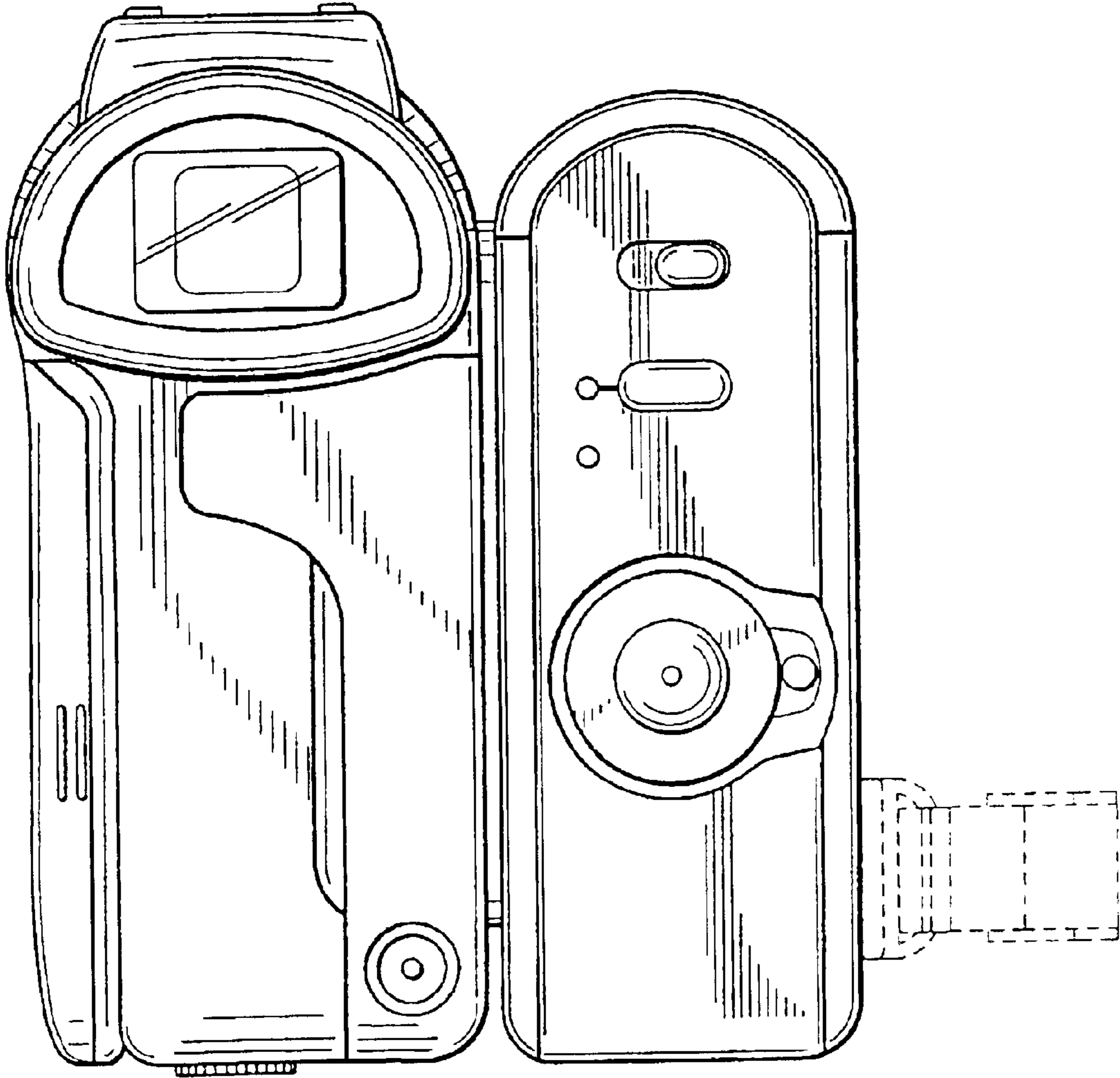


Fig.3

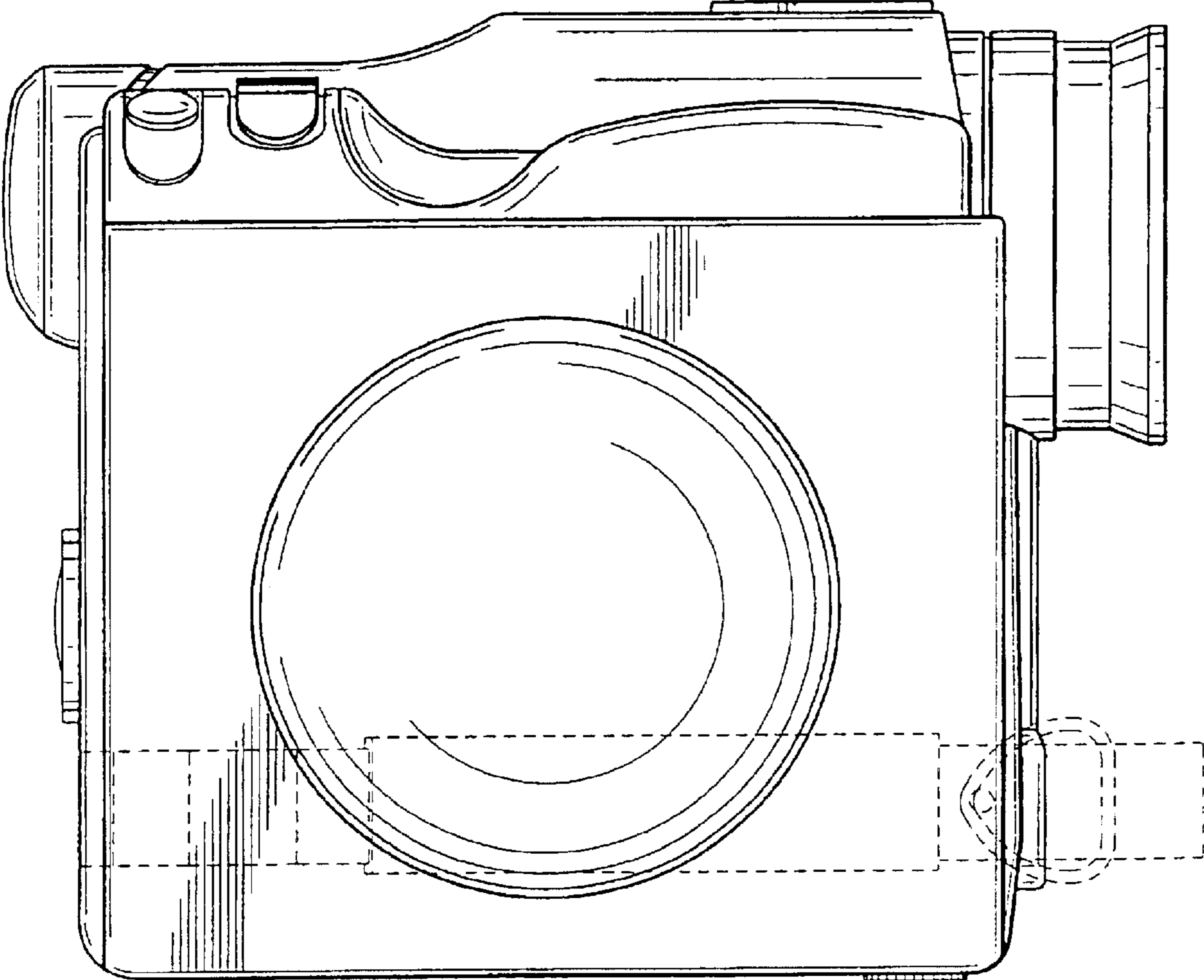


Fig.4

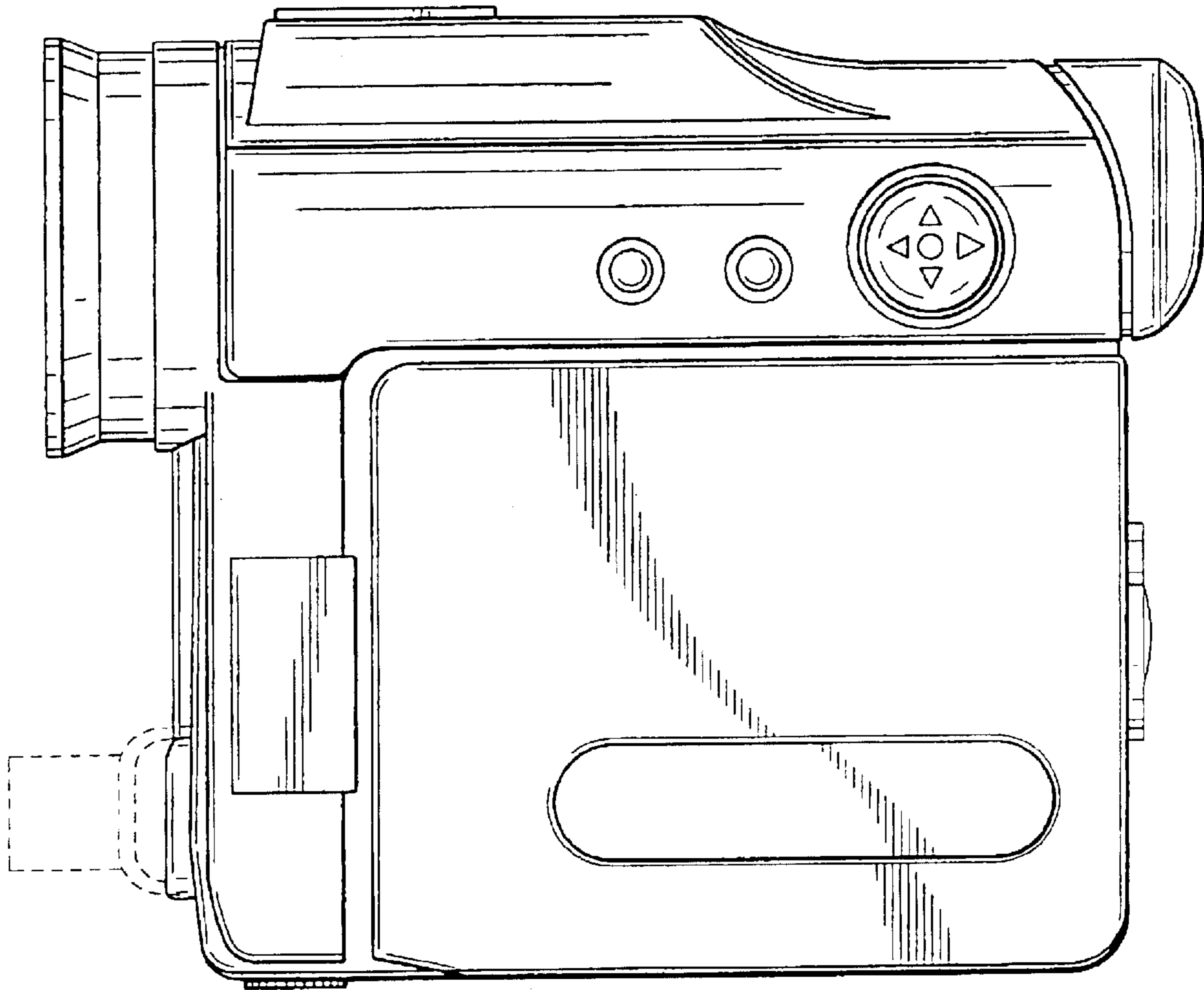


Fig.5

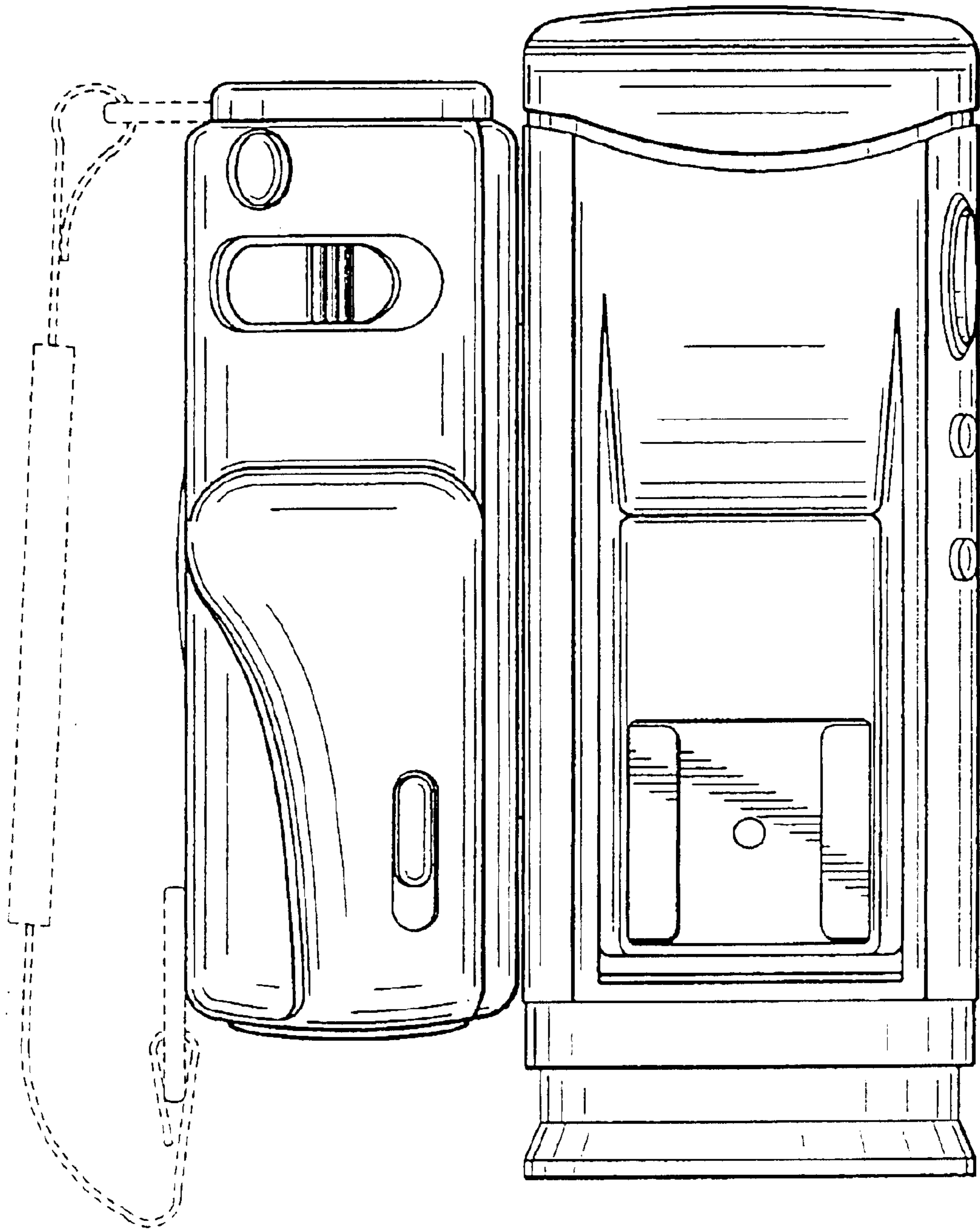


Fig.6

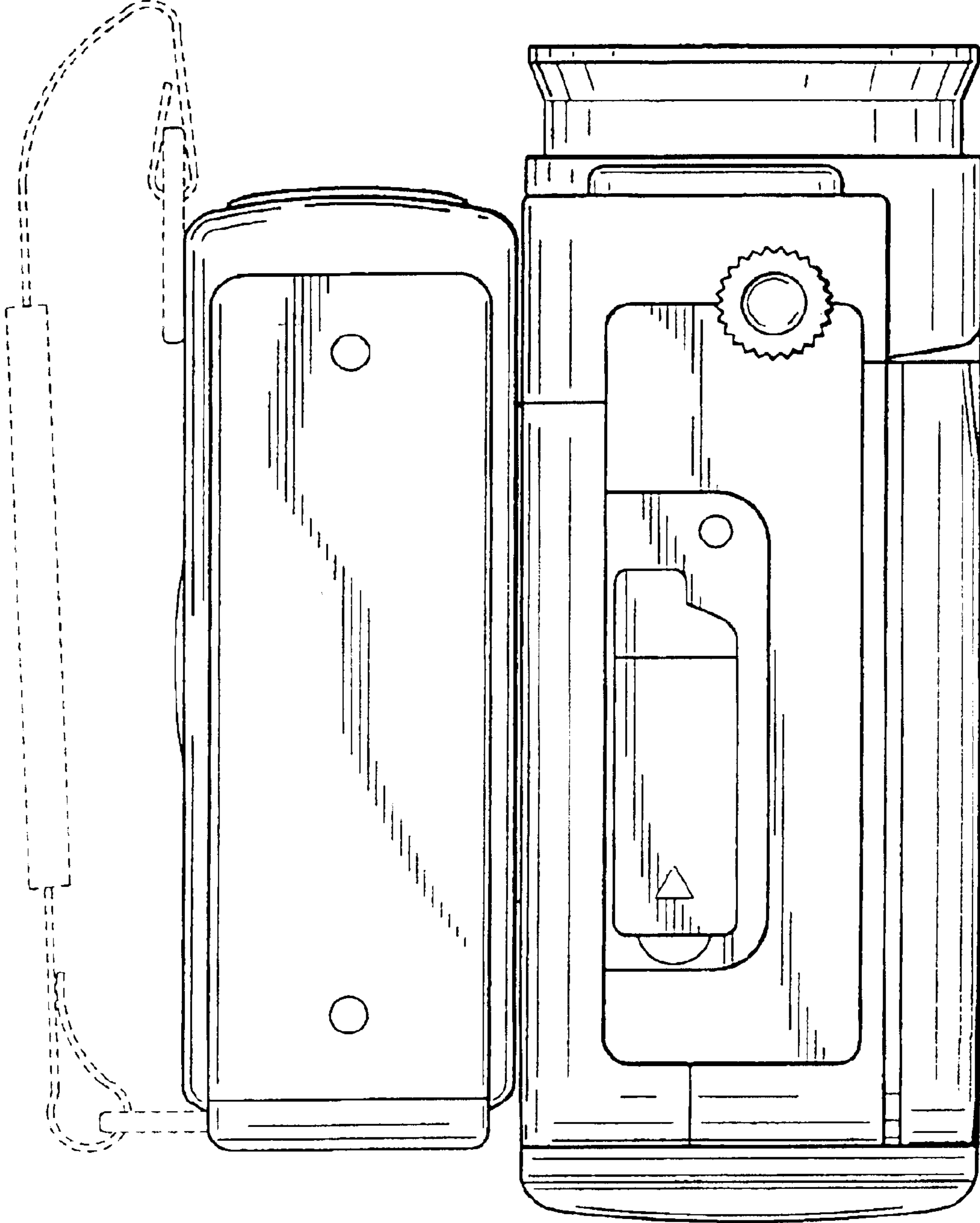


Fig.7



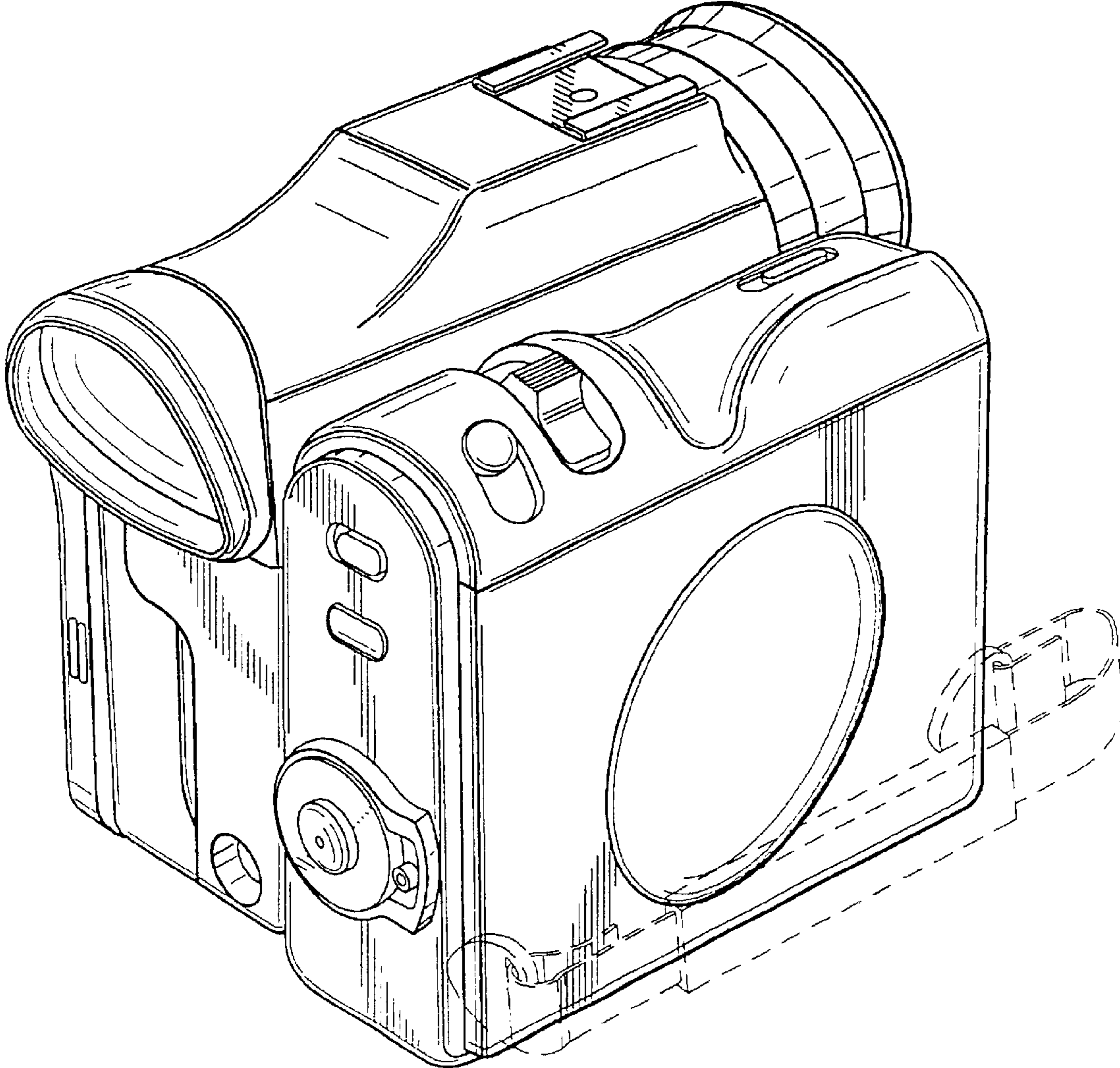


Fig.8