



US00D506486S

(12) **United States Design Patent**
Kuo

(10) **Patent No.:** **US D506,486 S**
(45) **Date of Patent:** **** Jun. 21, 2005**

(54) **BINOCULAR**

(75) Inventor: **Roger Kuo**, Tainan Hsien (TW)

(73) Assignee: **Digivogue Tech Co., Ltd.**, Tainan Hsien (TW)

(**) Term: **14 Years**

(21) Appl. No.: **29/196,371**

(22) Filed: **Dec. 29, 2003**

(51) **LOC (8) Cl.** **16-06**

(52) **U.S. Cl.** **D16/133; D16/218**

(58) **Field of Search** D16/130, 132,
D16/133, 200–205, 208, 218; 359/416,
418; 348/373–376; 358/906; 396/7, 25,
421, 544, 535, 541

(56) **References Cited**

U.S. PATENT DOCUMENTS

D307,154 S	*	4/1990	Shishikura	D16/133
D359,972 S	*	7/1995	Takahashi	D16/133
5,444,507 A	*	8/1995	Palmer	396/421
D412,177 S	*	7/1999	Fujii	D16/133

D448,394 S	*	9/2001	Ueda et al.	D16/133
D486,507 S	*	2/2004	Fujii	D16/133
D488,178 S	*	4/2004	Huang	D16/218

* cited by examiner

Primary Examiner—Paula A. Greene

(74) *Attorney, Agent, or Firm*—Grossman Tucker Perreault & Pflieger, PLLC

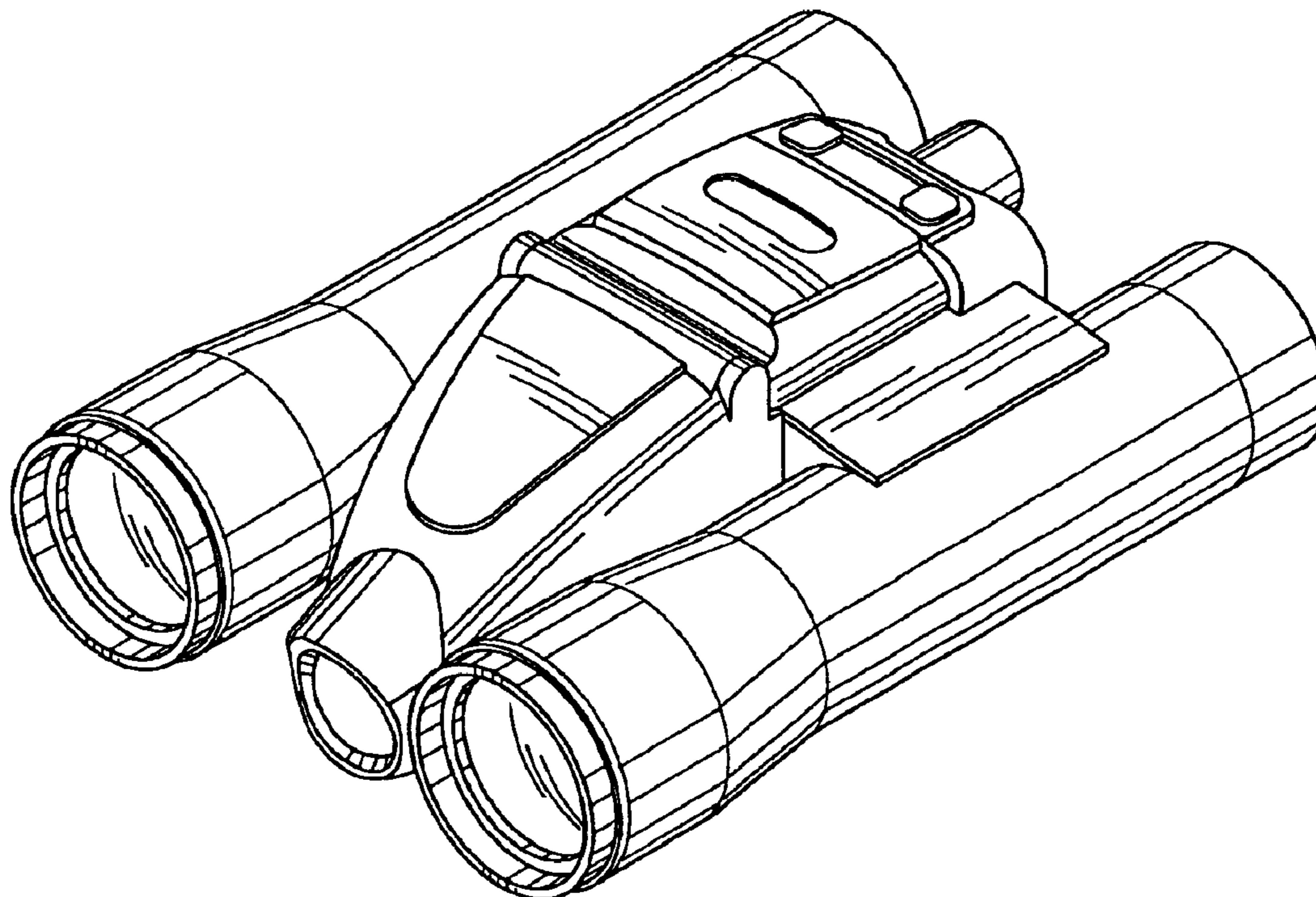
(57) **CLAIM**

The ornamental design for binocular, as shown and described.

DESCRIPTION

FIG. 1 is a perspective view of binocular showing my new design;
FIG. 2 is a front elevational view thereof;
FIG. 3 is a rear elevational view thereof;
FIG. 4 is a left side elevational view thereof;
FIG. 5 is a right side elevational view thereof;
FIG. 6 is a top plan view thereof; and,
FIG. 7 is a bottom plan view thereof.

1 Claim, 4 Drawing Sheets



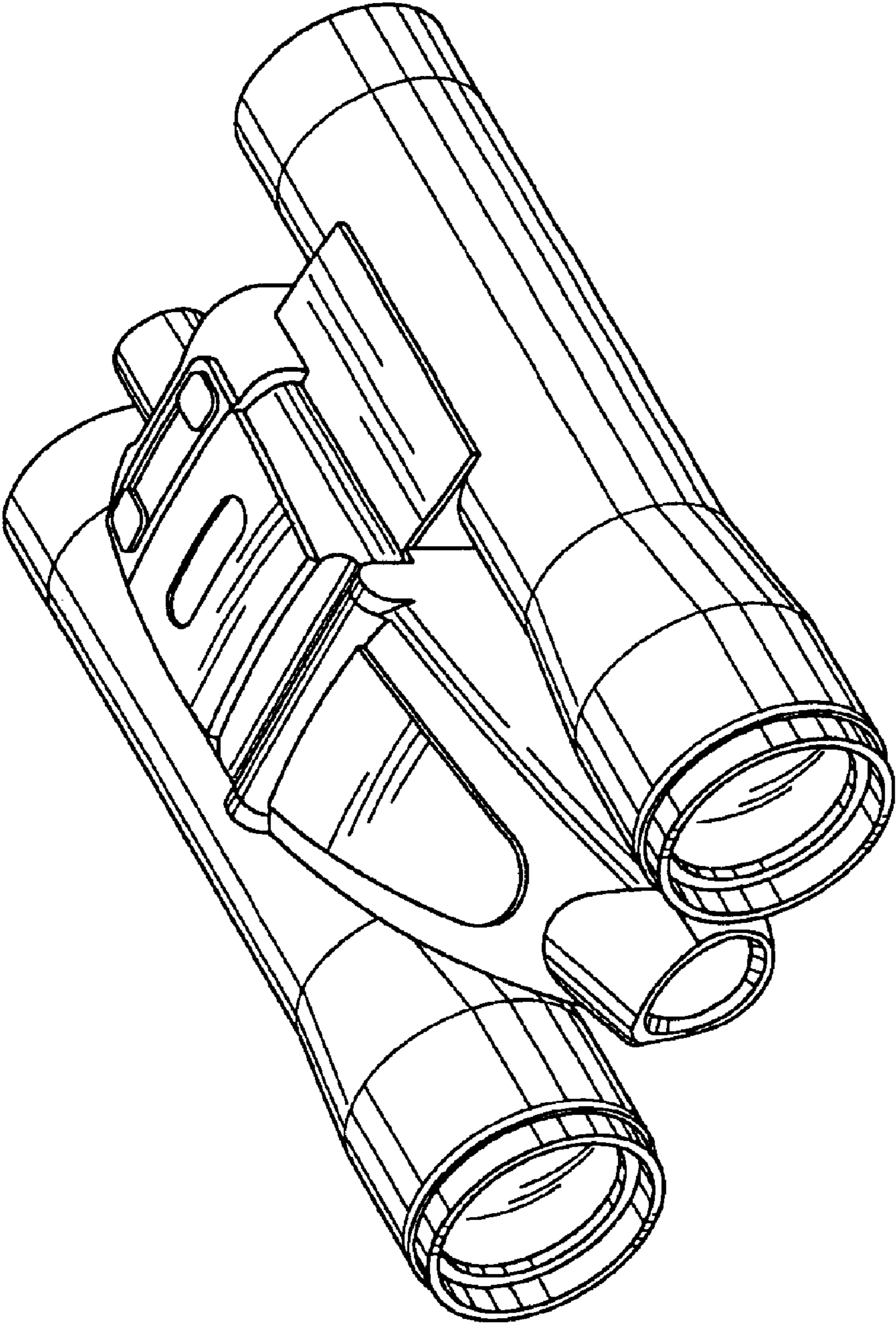


FIG. 1

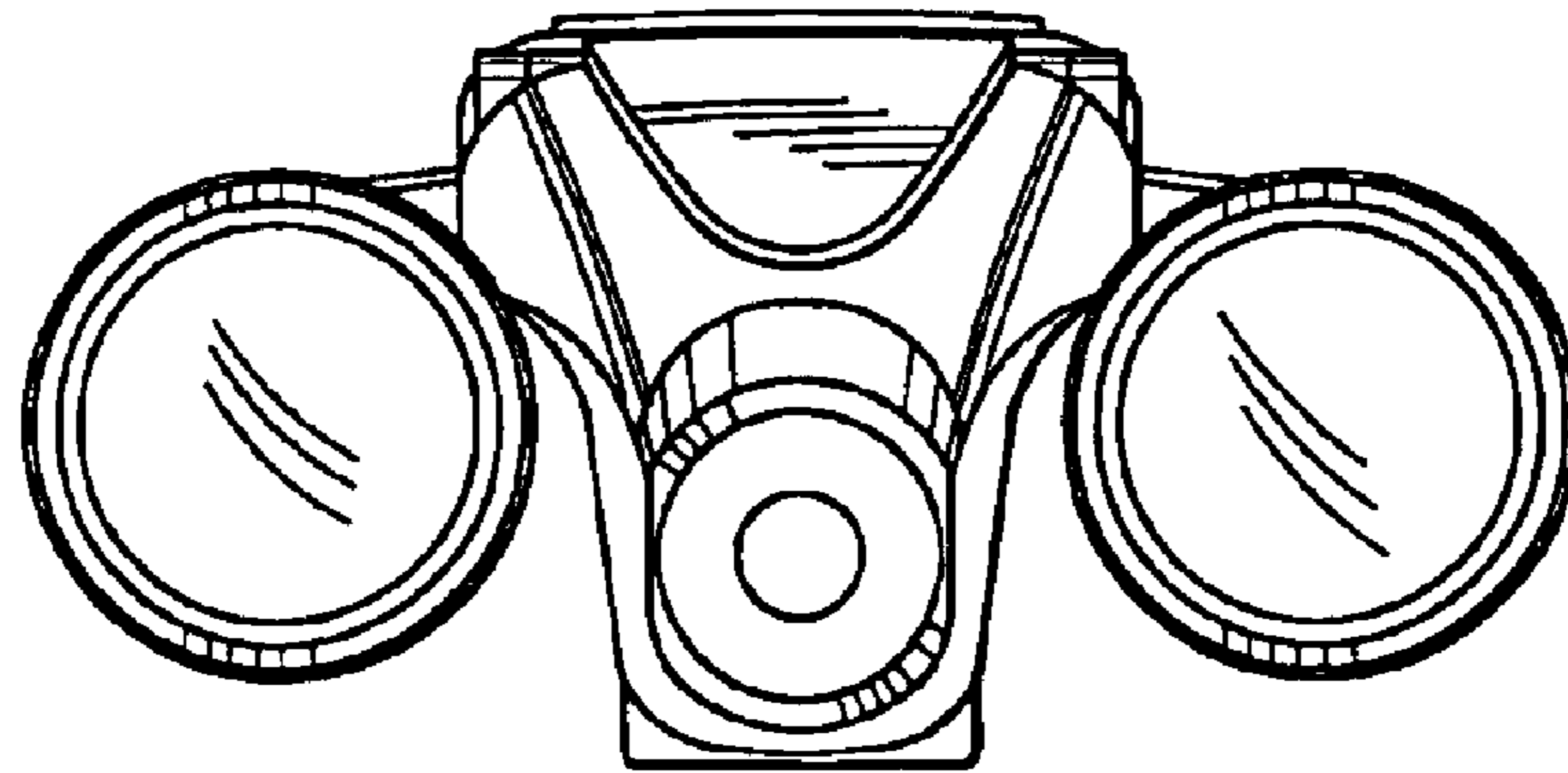


FIG. 2

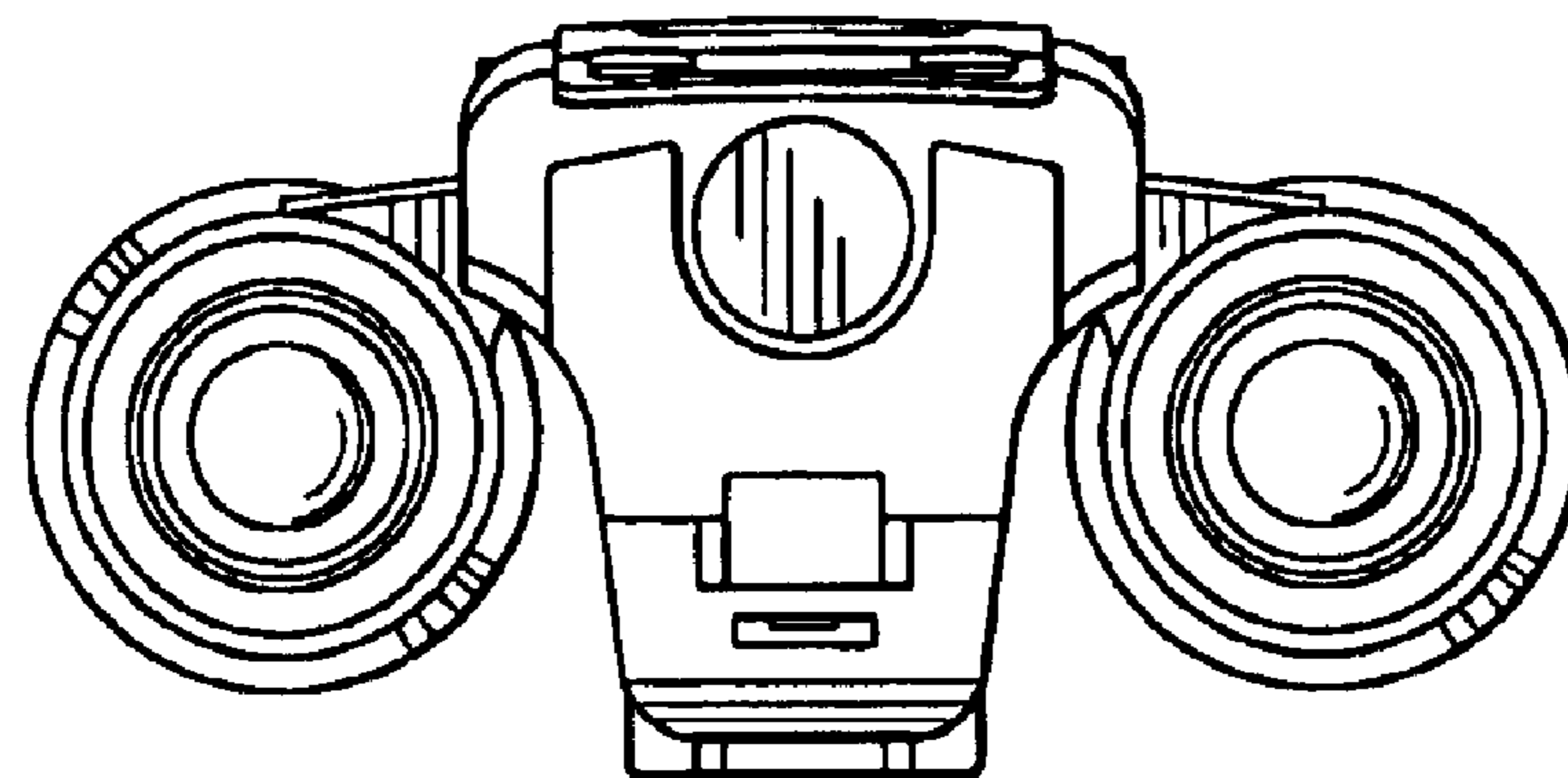


FIG. 3

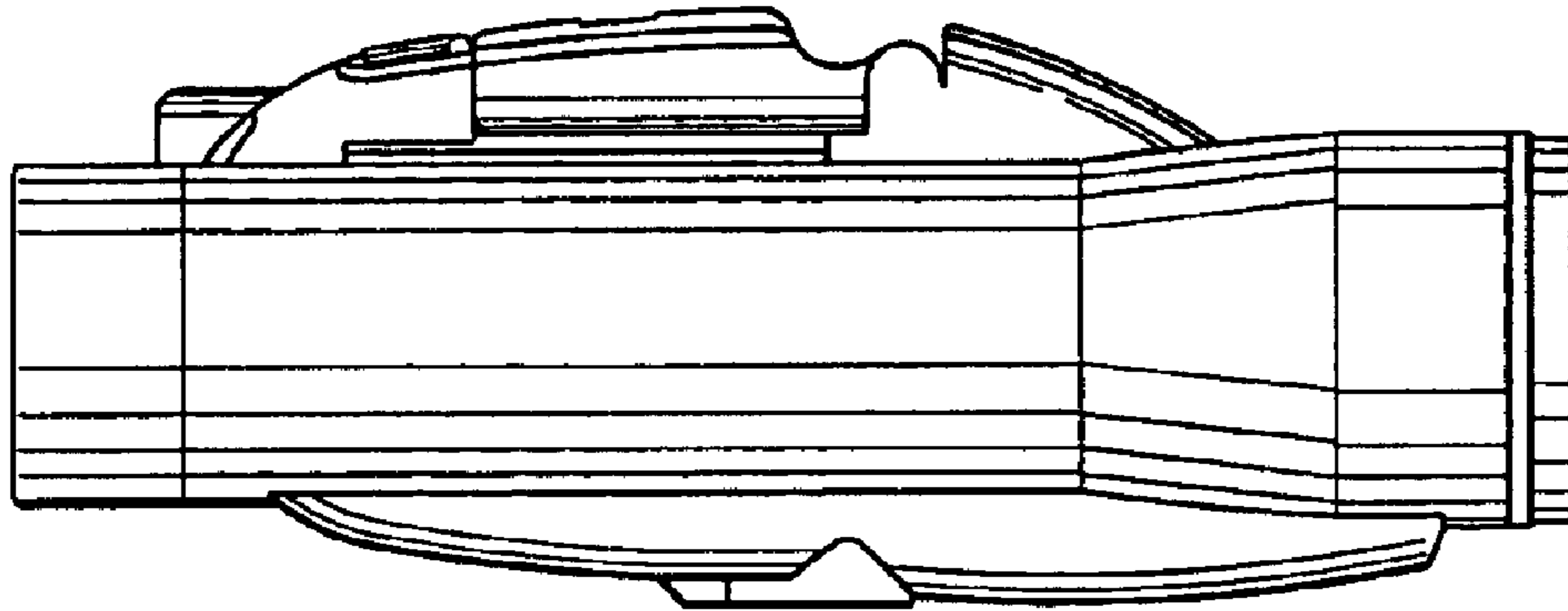


FIG. 4

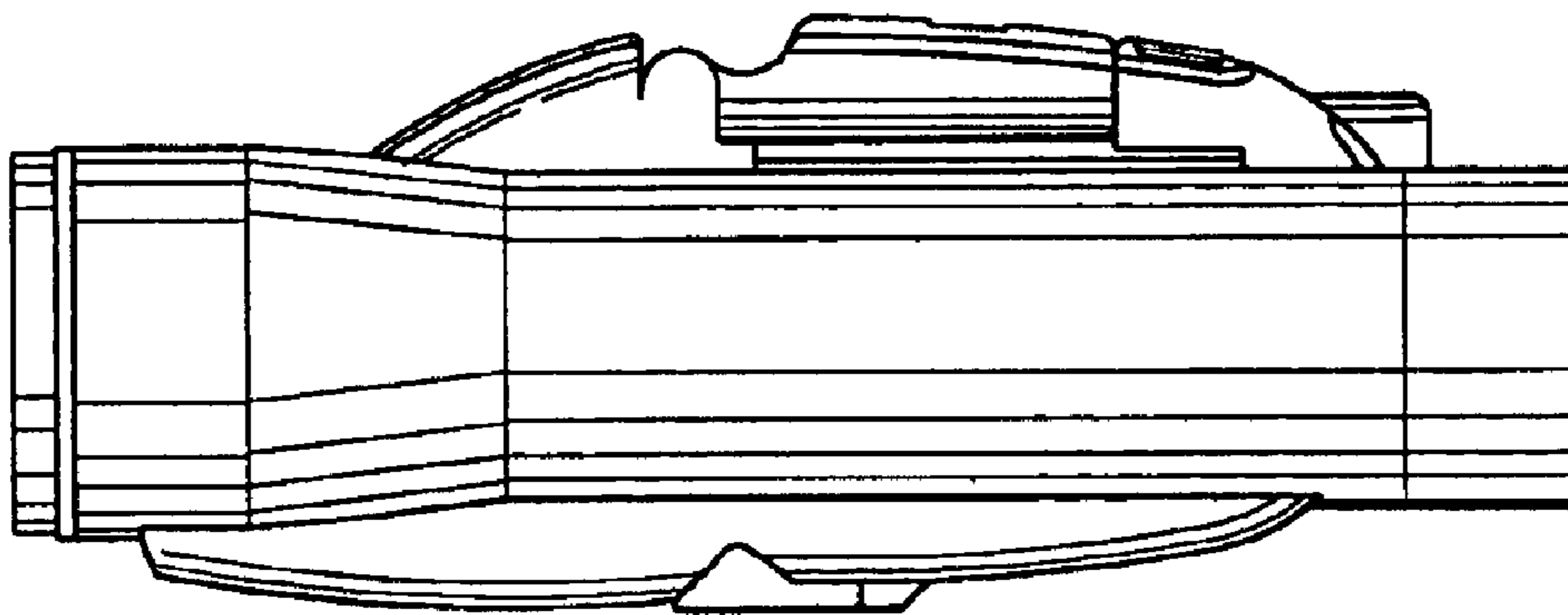


FIG. 5

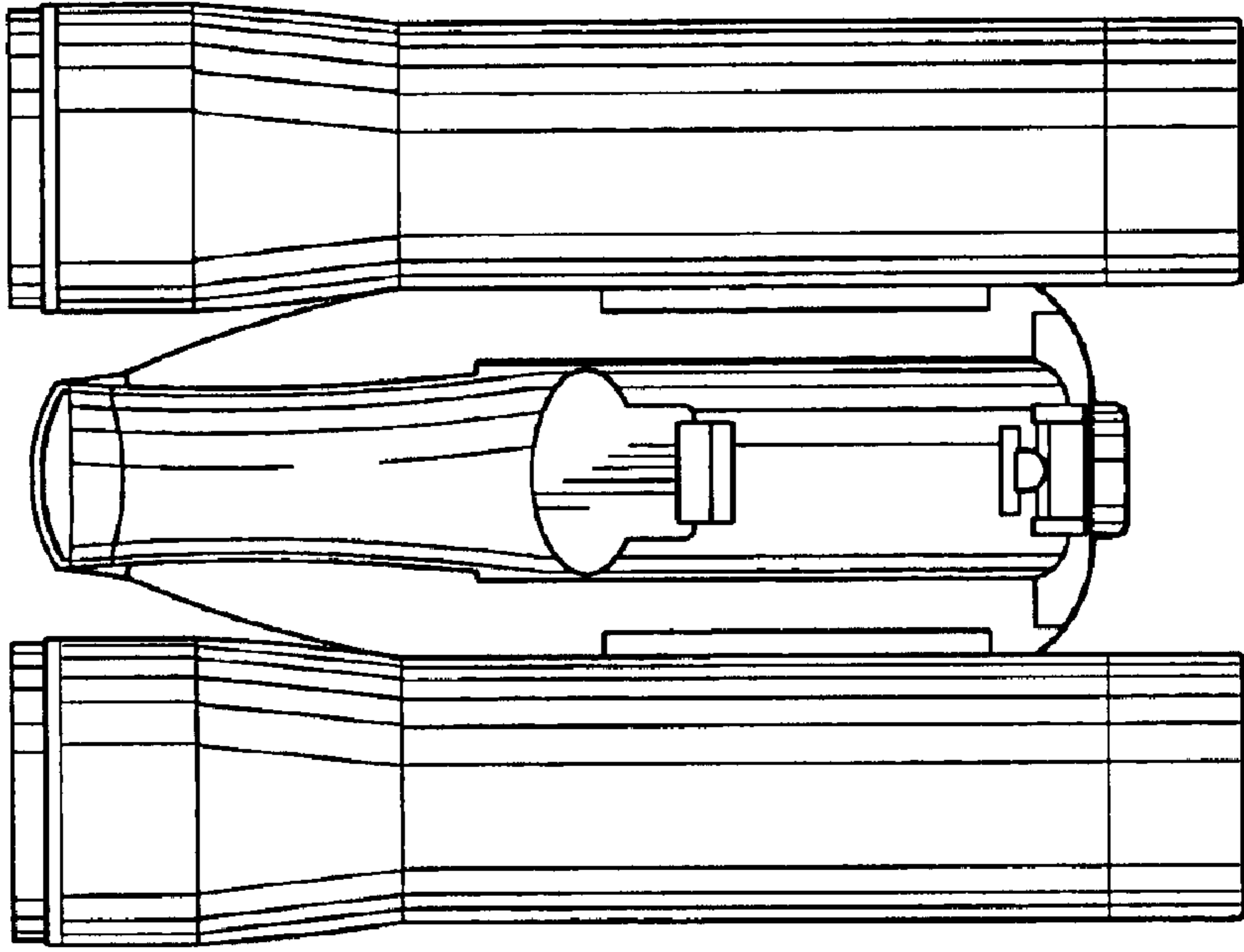


FIG. 7

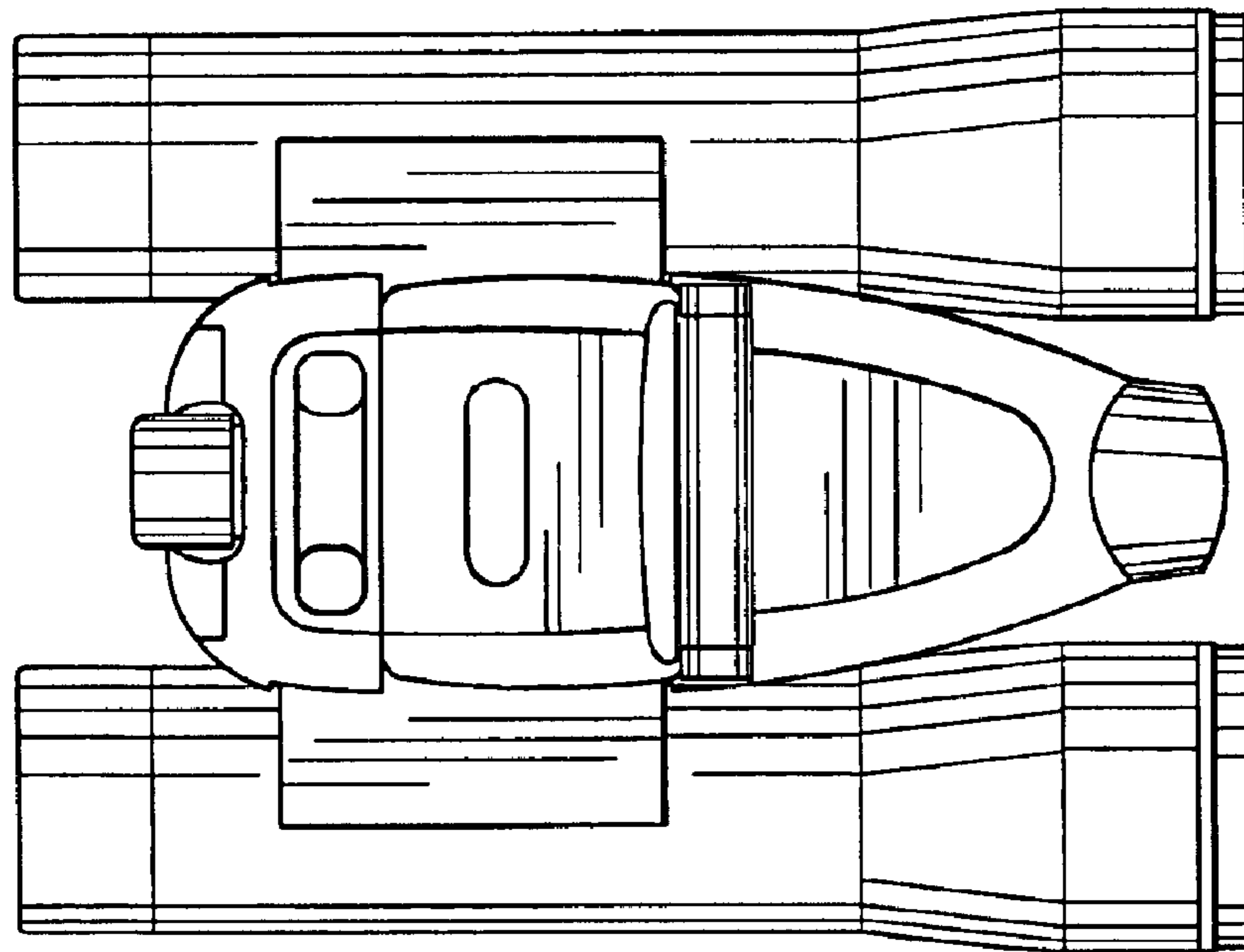


FIG. 6