

US00D506483S

(12) **United States Design Patent**
Saari

(10) **Patent No.:** **US D506,483 S**
(45) **Date of Patent:** **** Jun. 21, 2005**

(54) **DRILLING MACHINE**

(75) Inventor: **Jaakko Saari**, Tampere (FI)

(73) Assignee: **Sandvik Tamrock Oy**, Tampere (FI)

(**) Term: **14 Years**

(21) Appl. No.: **29/174,071**

(22) Filed: **Jan. 10, 2003**

(30) **Foreign Application Priority Data**

Jul. 10, 2002 (FI) M200202426

(51) **LOC (8) Cl.** **15-09**

(52) **U.S. Cl.** **D15/132**

(58) **Field of Search** D15/132; 173/189,
173/27, 28, 184, 185, 263, 39

(56) **References Cited**

U.S. PATENT DOCUMENTS

5,222,564 A * 6/1993 Bonca 173/189

* cited by examiner

Primary Examiner—Lisa Lichtenstein

(74) Attorney, Agent, or Firm—Ladas & Parry

(57) **CLAIM**

The ornamental design for a drilling machine, as shown and described.

DESCRIPTION

FIG. 1 is a perspective front view from above and right side of a drilling machine showing my new design;

FIG. 2 is a perspective front view from above and left side thereof;

FIG. 3 is a perspective rear view from above and left side thereof;

FIG. 4 is a right side view thereof;

FIG. 5 is a left side view thereof;

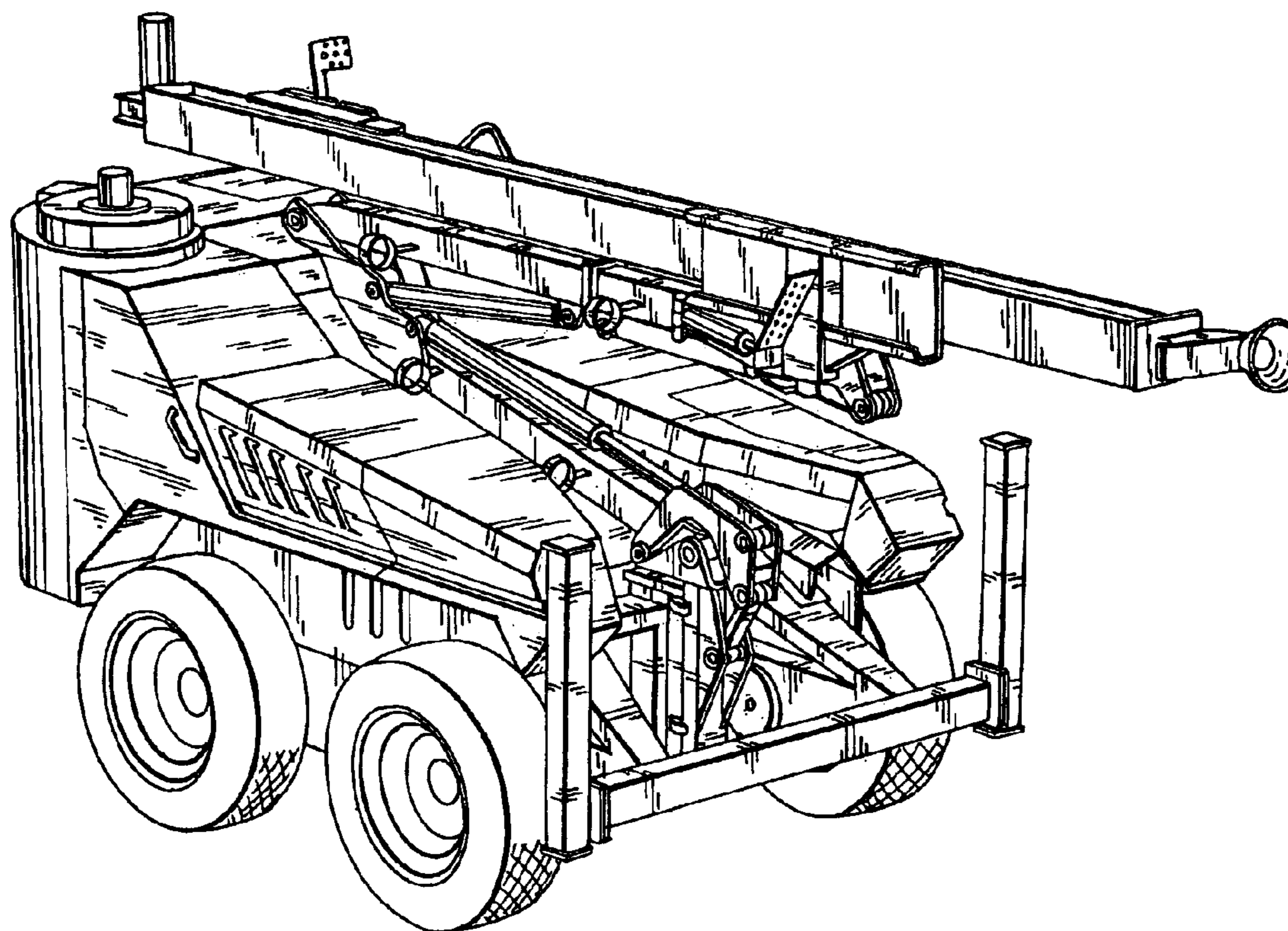
FIG. 6 is a front view thereof;

FIG. 7 is a rear view thereof; and,

FIG. 8 is a perspective view of the drilling machine with boom extended on a reduced scale.

The crisscross pattern fragmentarily shown in FIGS. 1, 2, 3, 6, 7 and 8 is understood to extend uniformly throughout the areas represented.

1 Claim, 8 Drawing Sheets



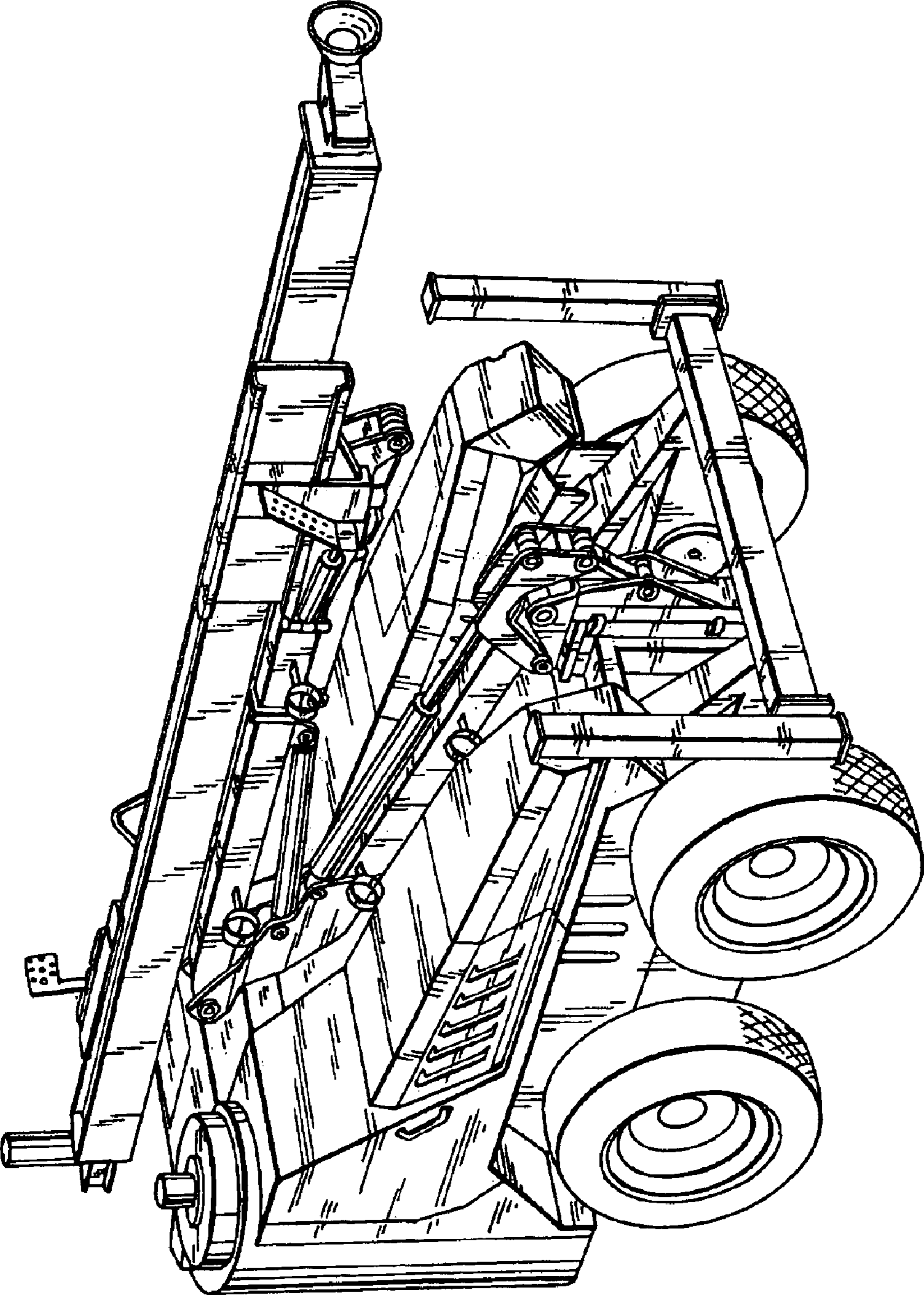


FIG. 1

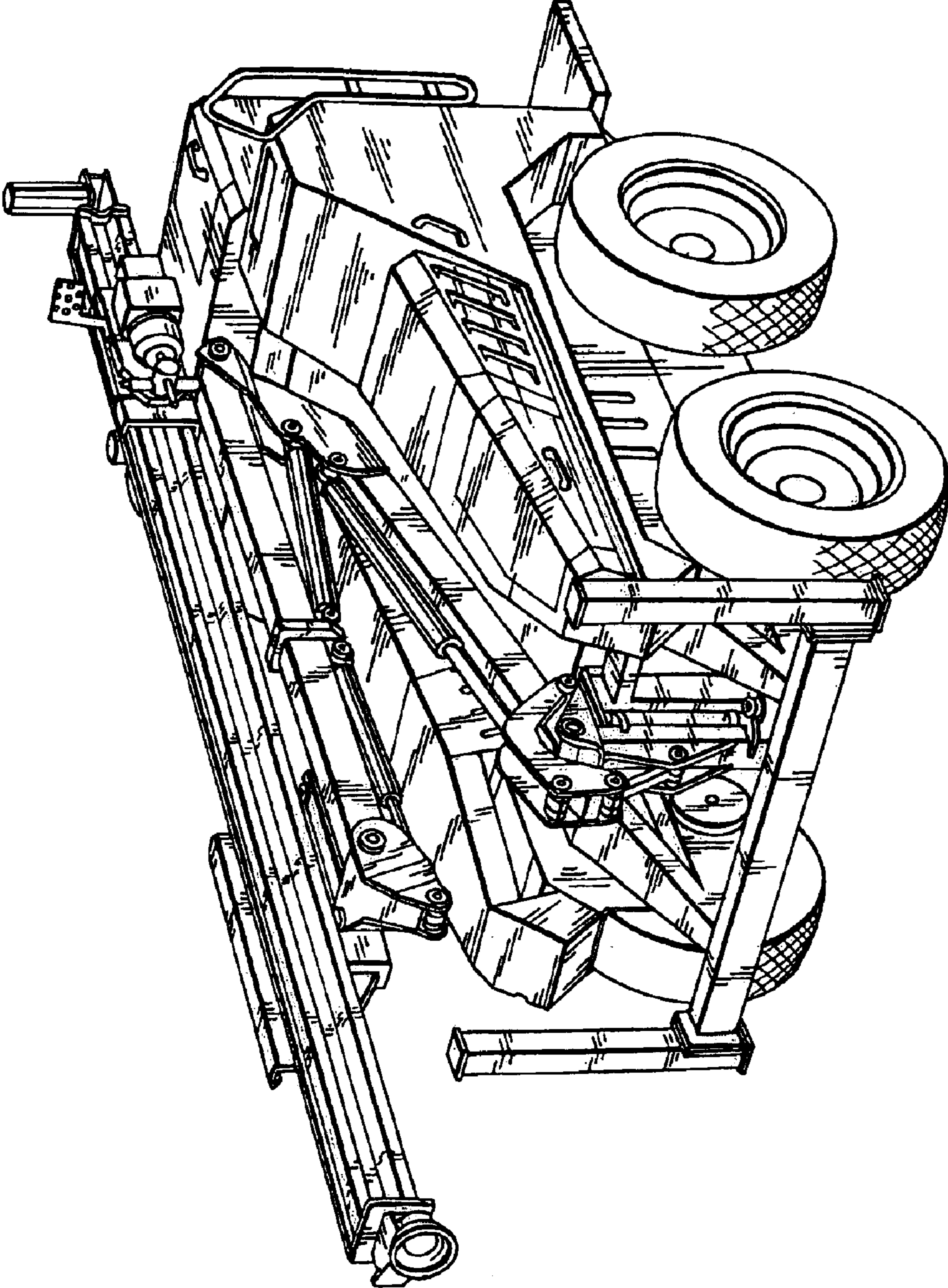


FIG. 2

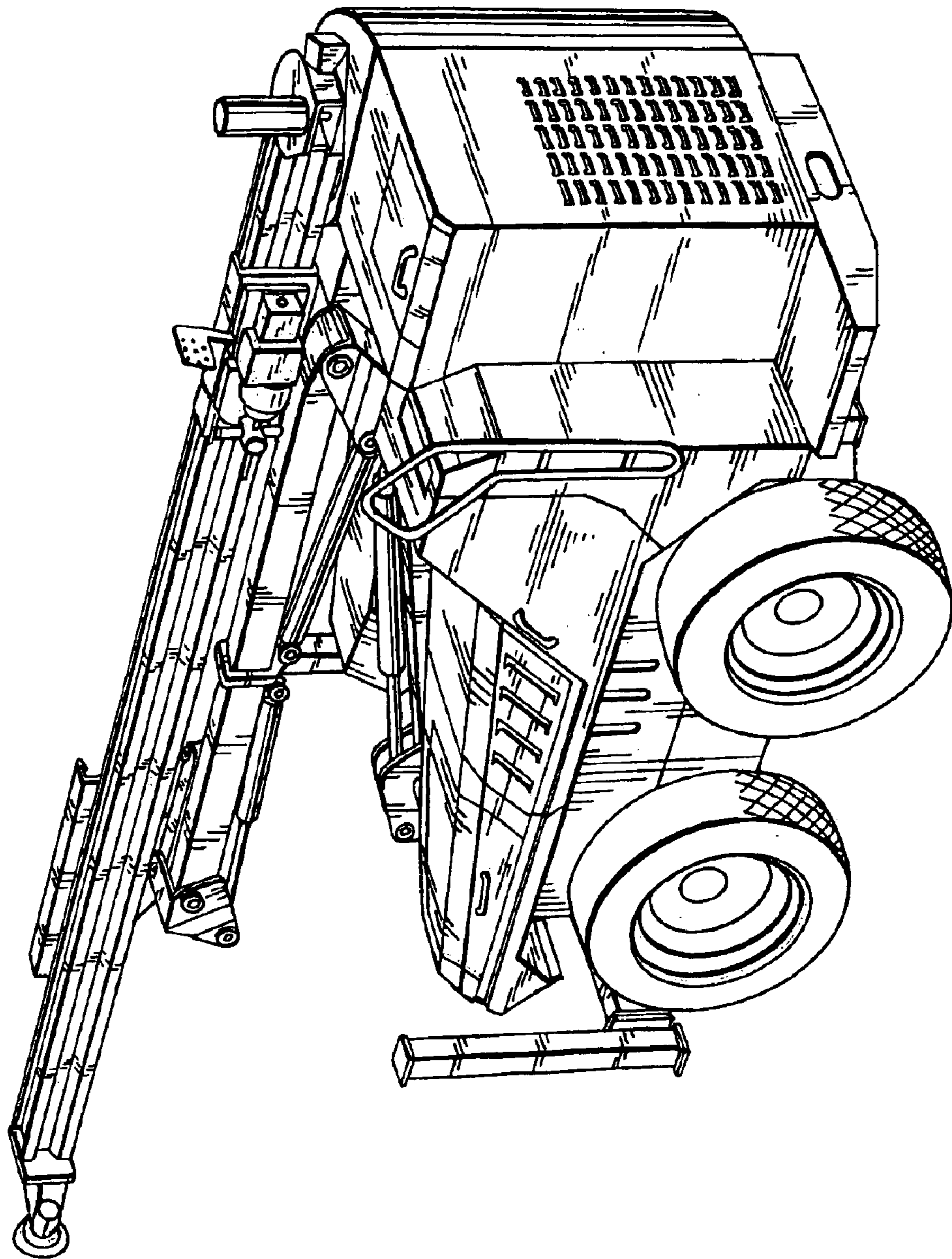


FIG. 3

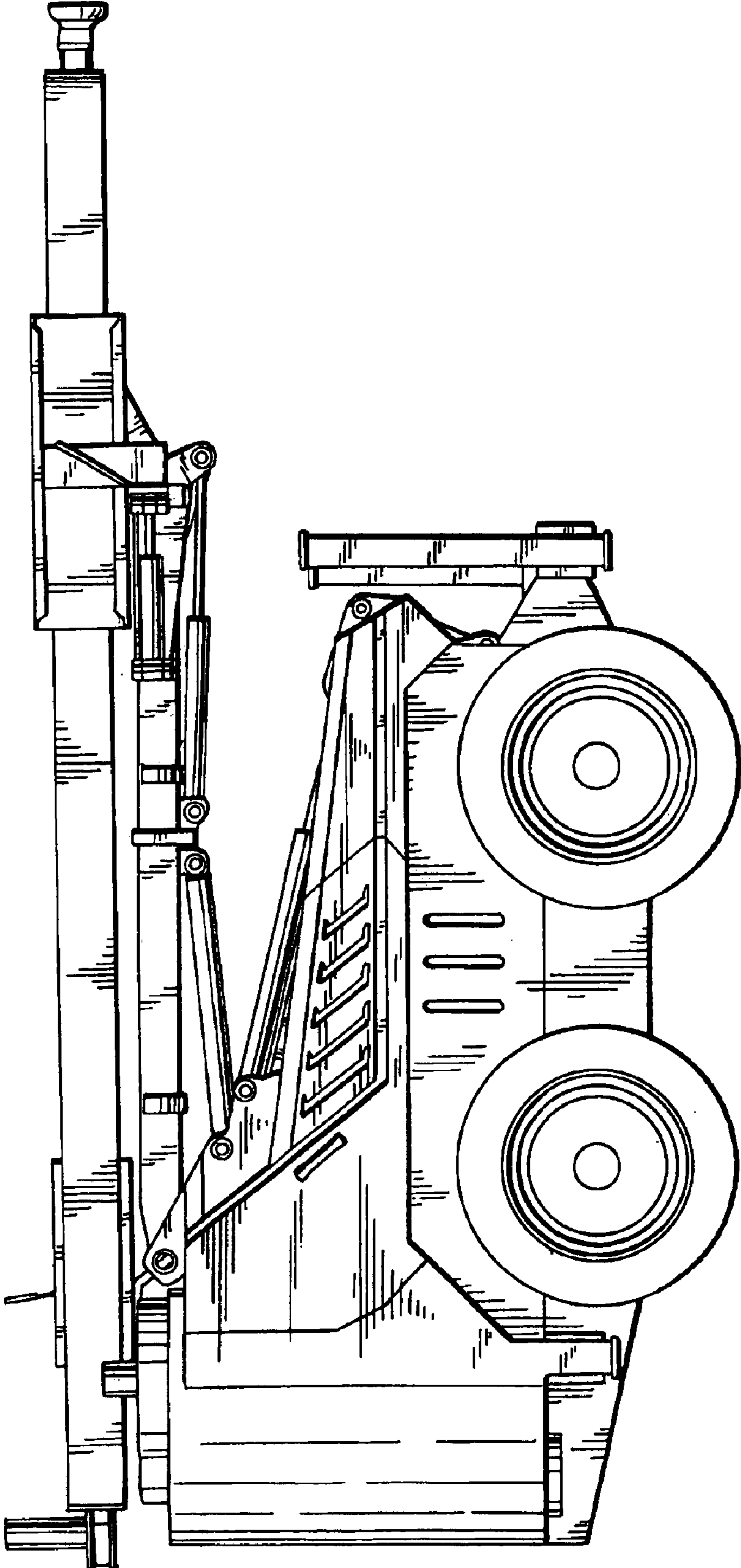


FIG. 4

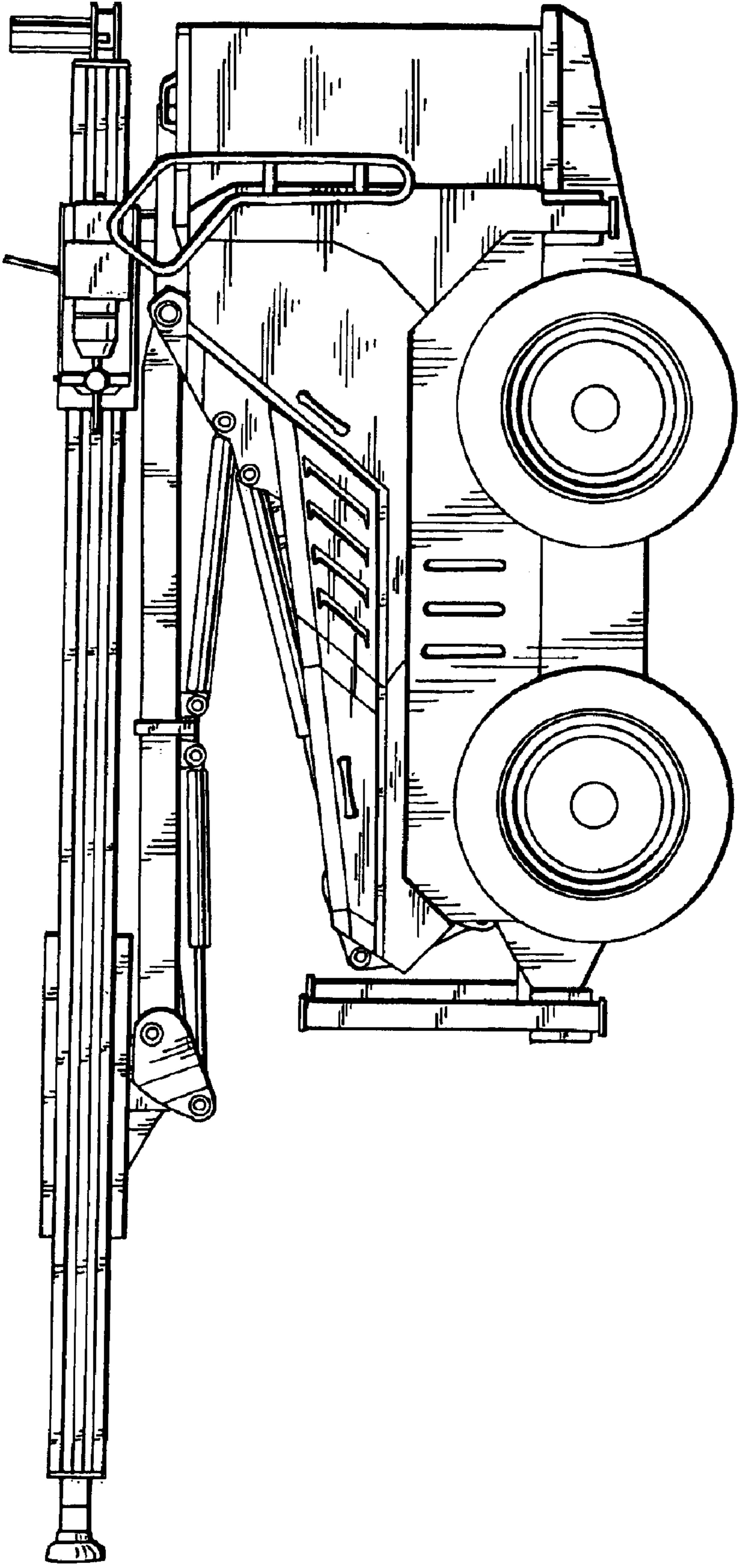


FIG. 5

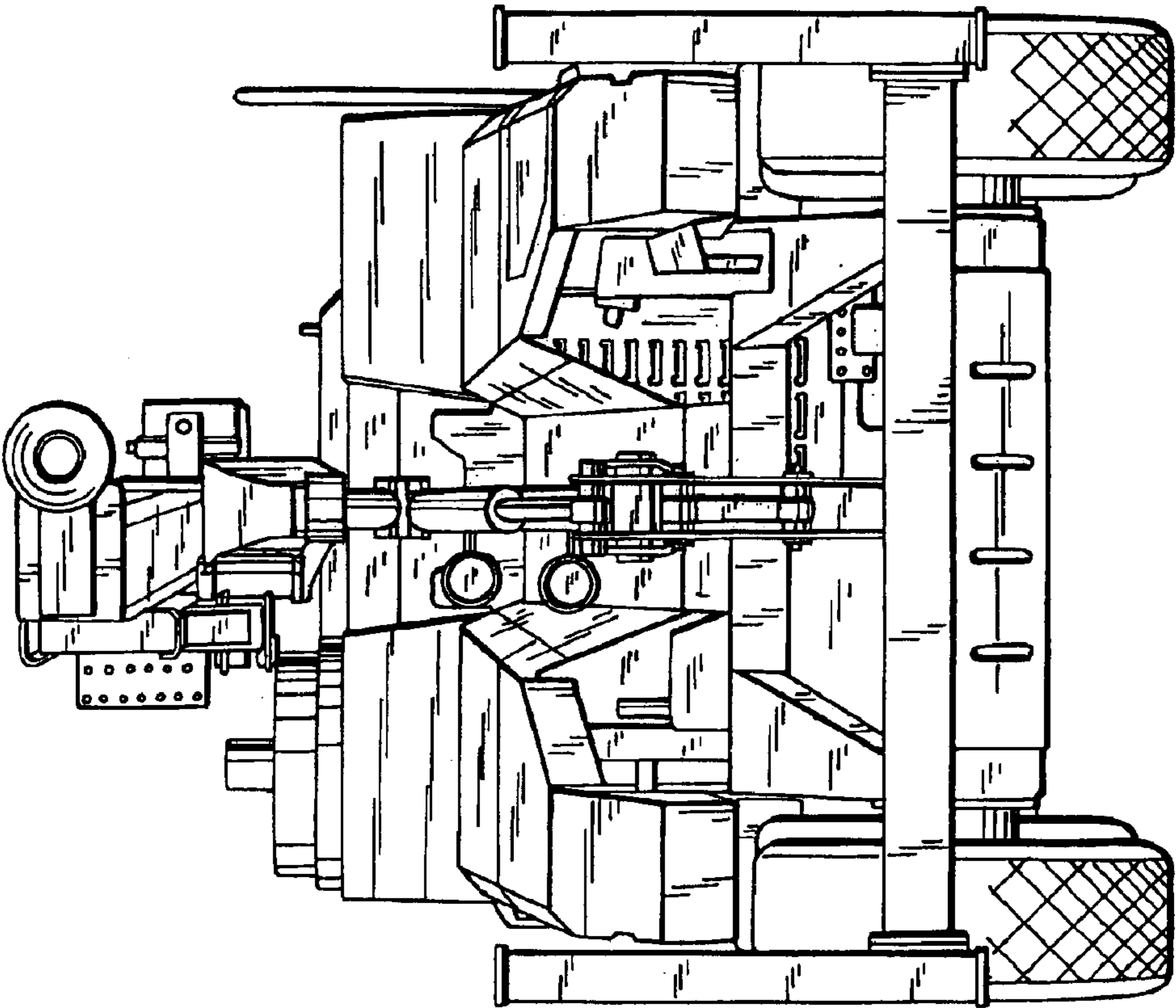


FIG. 6

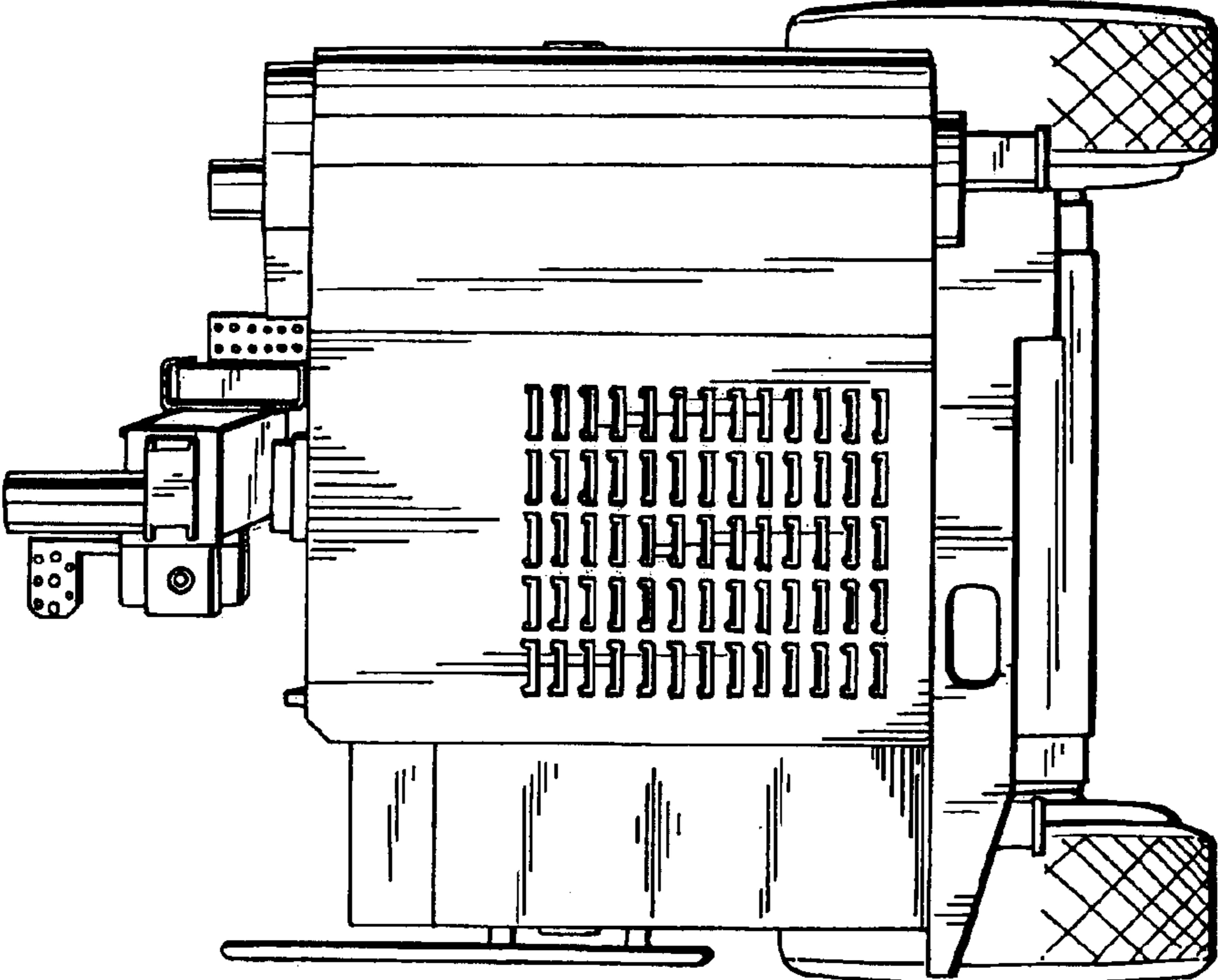


FIG. 7

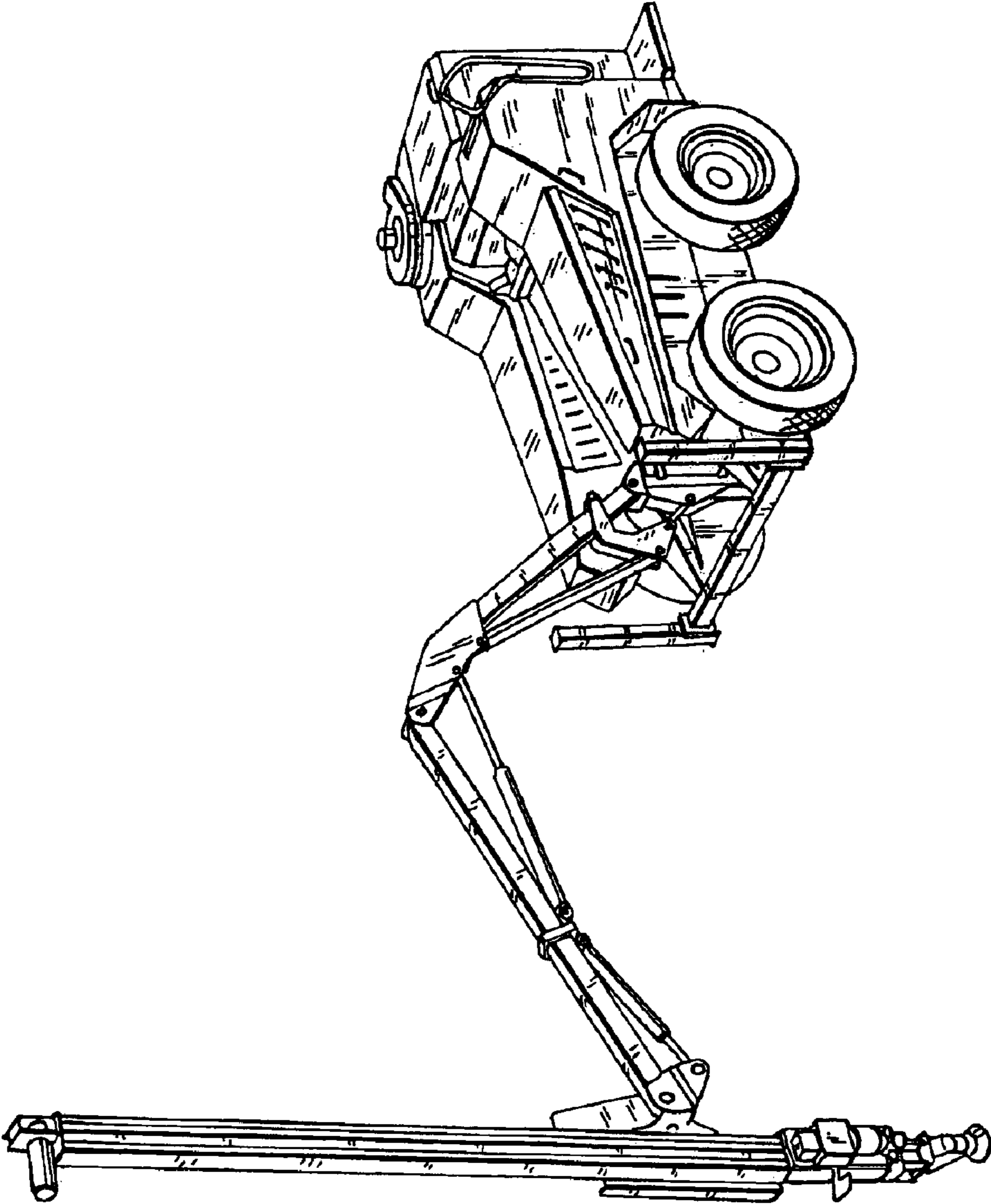


FIG. 8

UNITED STATES PATENT AND TRADEMARK OFFICE
CERTIFICATE OF CORRECTION

PATENT NO. : Des. 506,483 S
DATED : June 21, 2005
INVENTOR(S) : Jaakko Saari

Page 1 of 1

It is certified that error appears in the above-identified patent and that said Letters Patent is hereby corrected as shown below:

Title page,

Item [30], **Foreign Application Priority Data**, "M200202426" should read
-- M20020426 --.

Signed and Sealed this

Twenty-second Day of November, 2005

A handwritten signature in black ink, reading "Jon W. Dudas". The signature is stylized, with a large loop for the letter 'J' and a distinct 'D'.

JON W. DUDAS

Director of the United States Patent and Trademark Office