

US00D506482S

(12) **United States Design Patent**  
**Ishiwata**

(10) **Patent No.:** **US D506,482 S**  
(45) **Date of Patent:** **\*\* Jun. 21, 2005**

(54) **PUNCH PRESS**

(75) **Inventor:** **Fumikazu Ishiwata, Isehara (JP)**

(73) **Assignee:** **Amada Company, Limited, Kanagawa (JP)**

(\*\*) **Term:** **14 Years**

(21) **Appl. No.:** **29/196,442**

(22) **Filed:** **Dec. 31, 2003**

(30) **Foreign Application Priority Data**

Jul. 1, 2003 (JP) ..... 2003-018925  
Jul. 1, 2003 (JP) ..... 2003-018926

(51) **LOC (8) Cl.** ..... **15-09**

(52) **U.S. Cl.** ..... **D15/128**

(58) **Field of Search** ..... D15/128; 83/859,  
83/559, 563, 76.1, 277, 552; 483/29; 72/446

(56) **References Cited**

**U.S. PATENT DOCUMENTS**

4,423,546 A \* 1/1984 Scott et al. .... D15/128  
4,558,616 A \* 12/1985 Sakamoto ..... D15/128  
D343,398 S \* 1/1994 Dunn ..... D15/128  
D361,578 S \* 8/1995 Wareham ..... D15/128  
5,442,985 A \* 8/1995 Ito ..... 83/155

5,682,657 A \* 11/1997 Hirose ..... 83/552  
5,763,852 A \* 6/1998 Brolund et al. .... 219/121.44  
5,970,832 A \* 10/1999 Aizawa ..... 83/76.1  
6,013,017 A \* 1/2000 Aizawa ..... 83/559

\* cited by examiner

*Primary Examiner*—Antoine D. Davis

(74) *Attorney, Agent, or Firm*—Greenblum & Bernstein, P.L.C.

(57) **CLAIM**

I claim the ornamental design for a punch press, as shown and described.

**DESCRIPTION**

FIG. 1 is a perspective view of an embodiment of a punch press, showing my new design;

FIG. 2 is a front elevational view of the embodiment of FIG. 1;

FIG. 3 is a rear elevational view of the embodiment of FIG. 1;

FIG. 4 is a right side elevational view of the embodiment of FIG. 1;

FIG. 5 is a left side elevational view of the embodiment of FIG. 1; and,

FIG. 6 is a top plan view of the embodiment of FIG. 1.

**1 Claim, 4 Drawing Sheets**

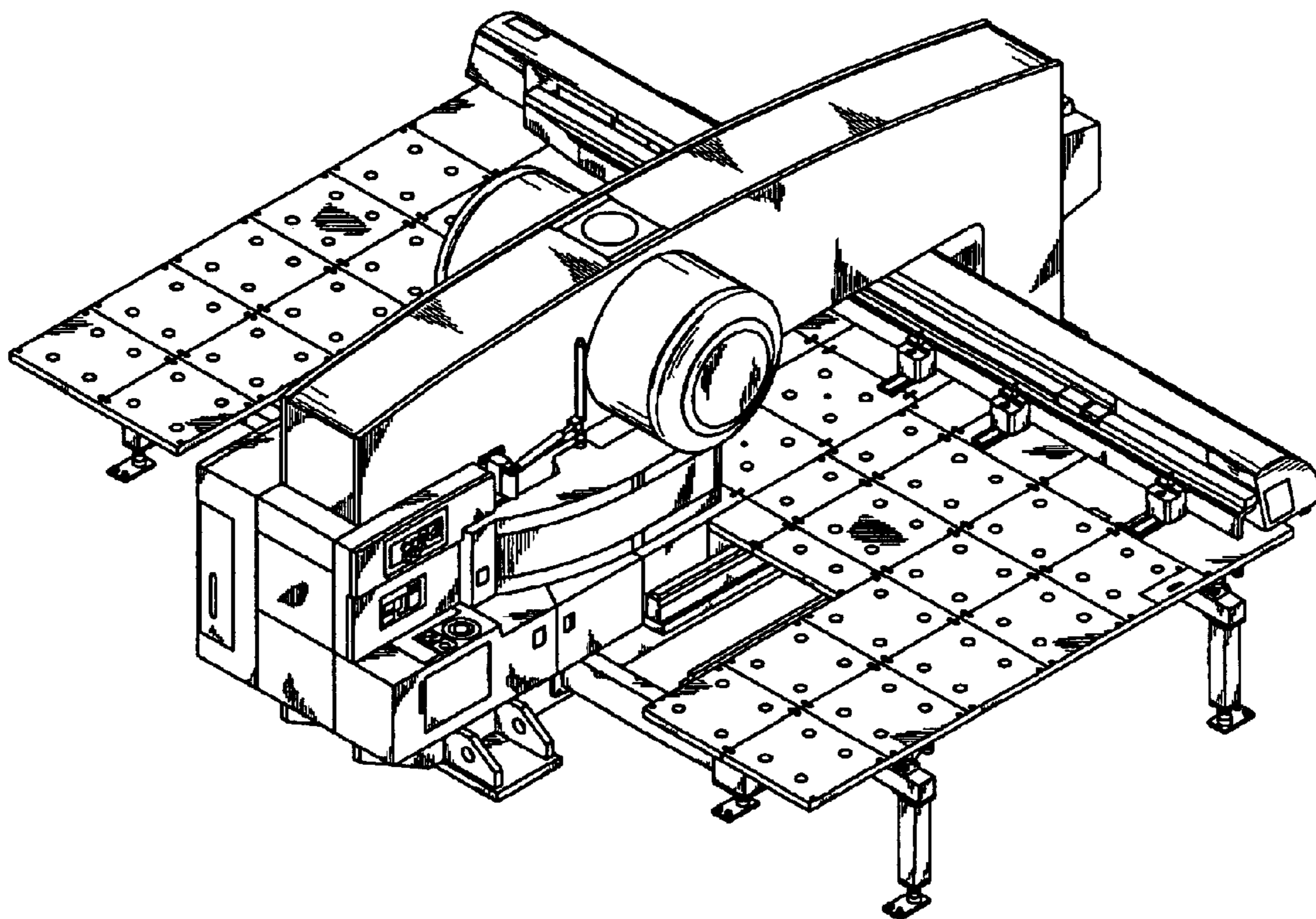


Fig.1

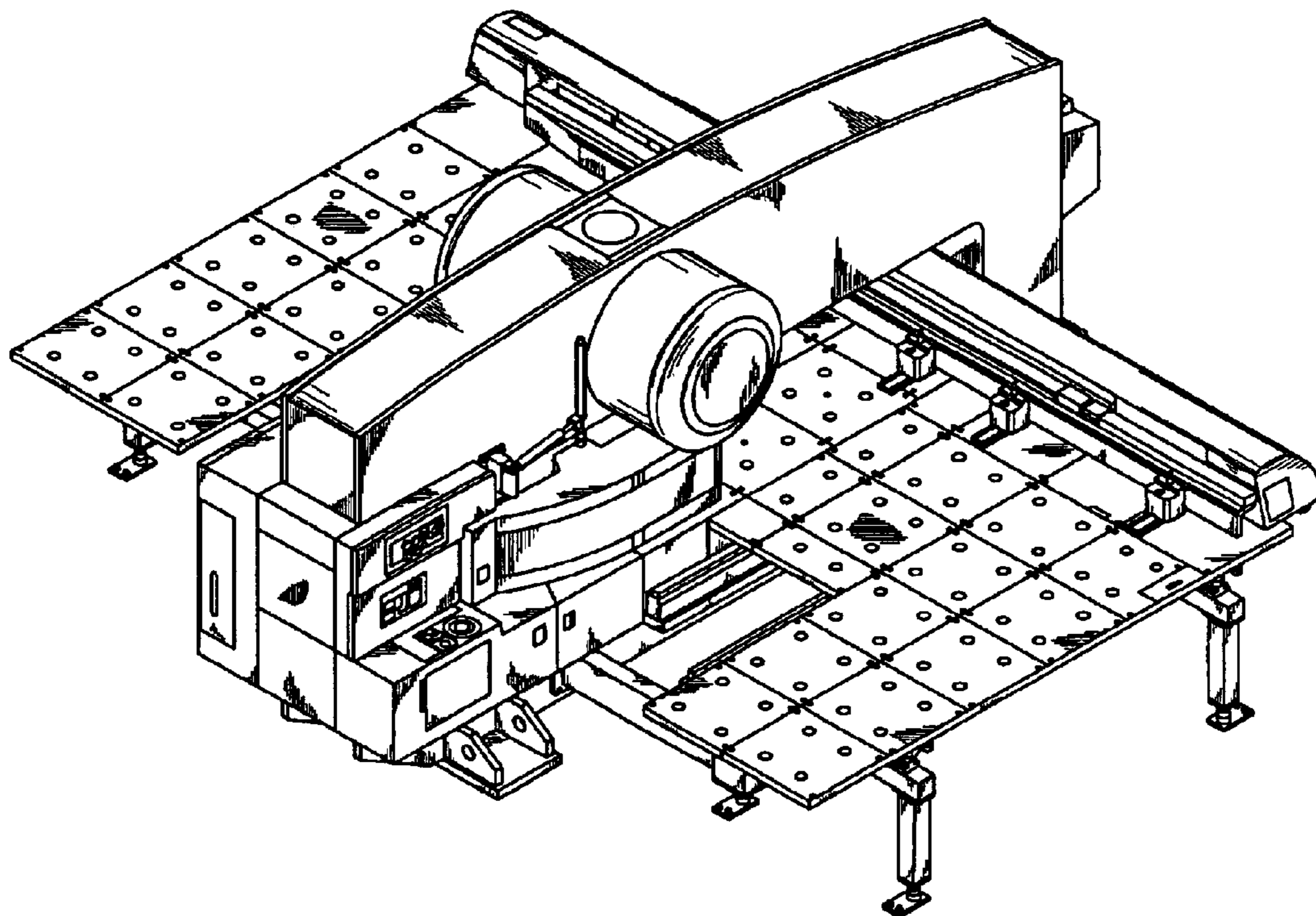


Fig.2

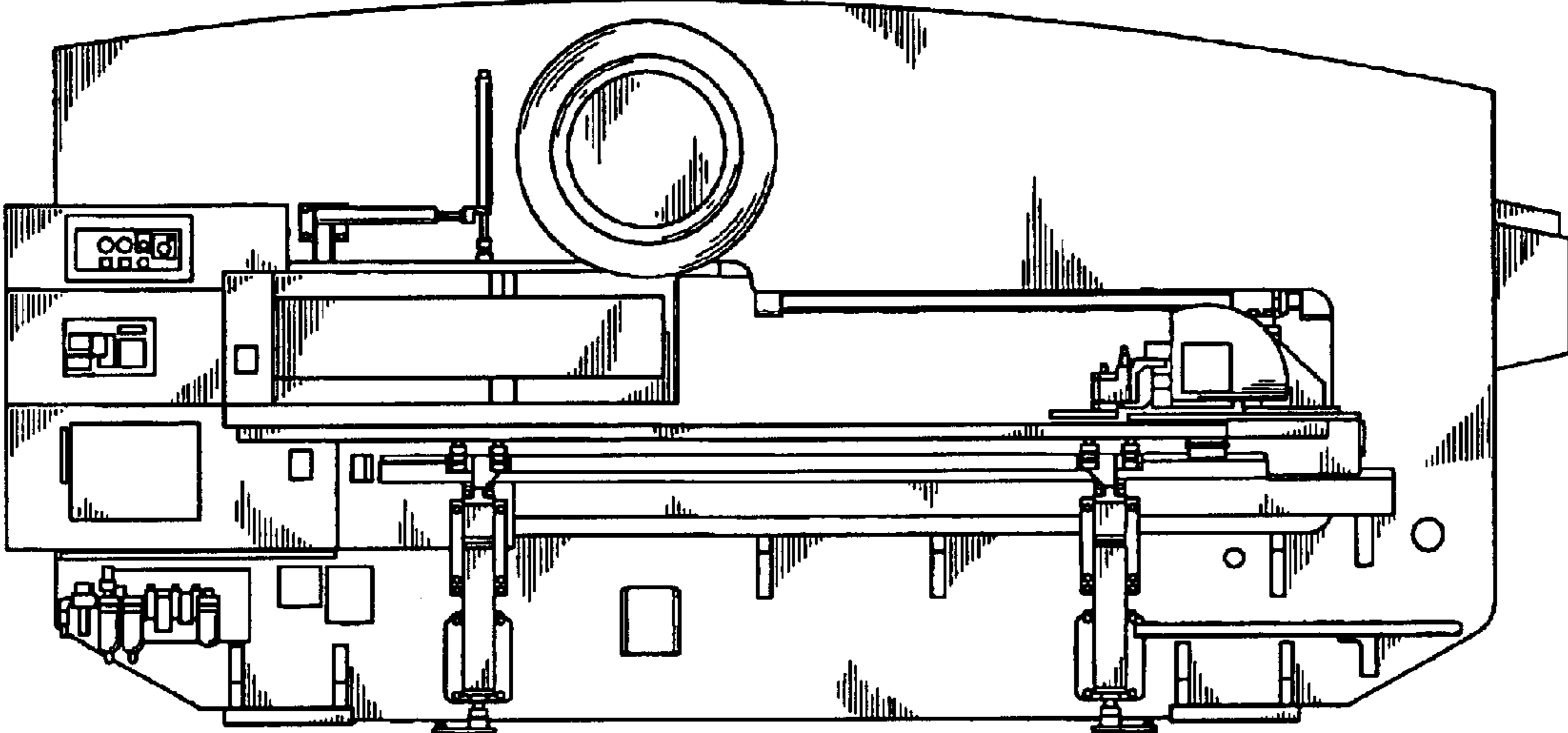


Fig.3

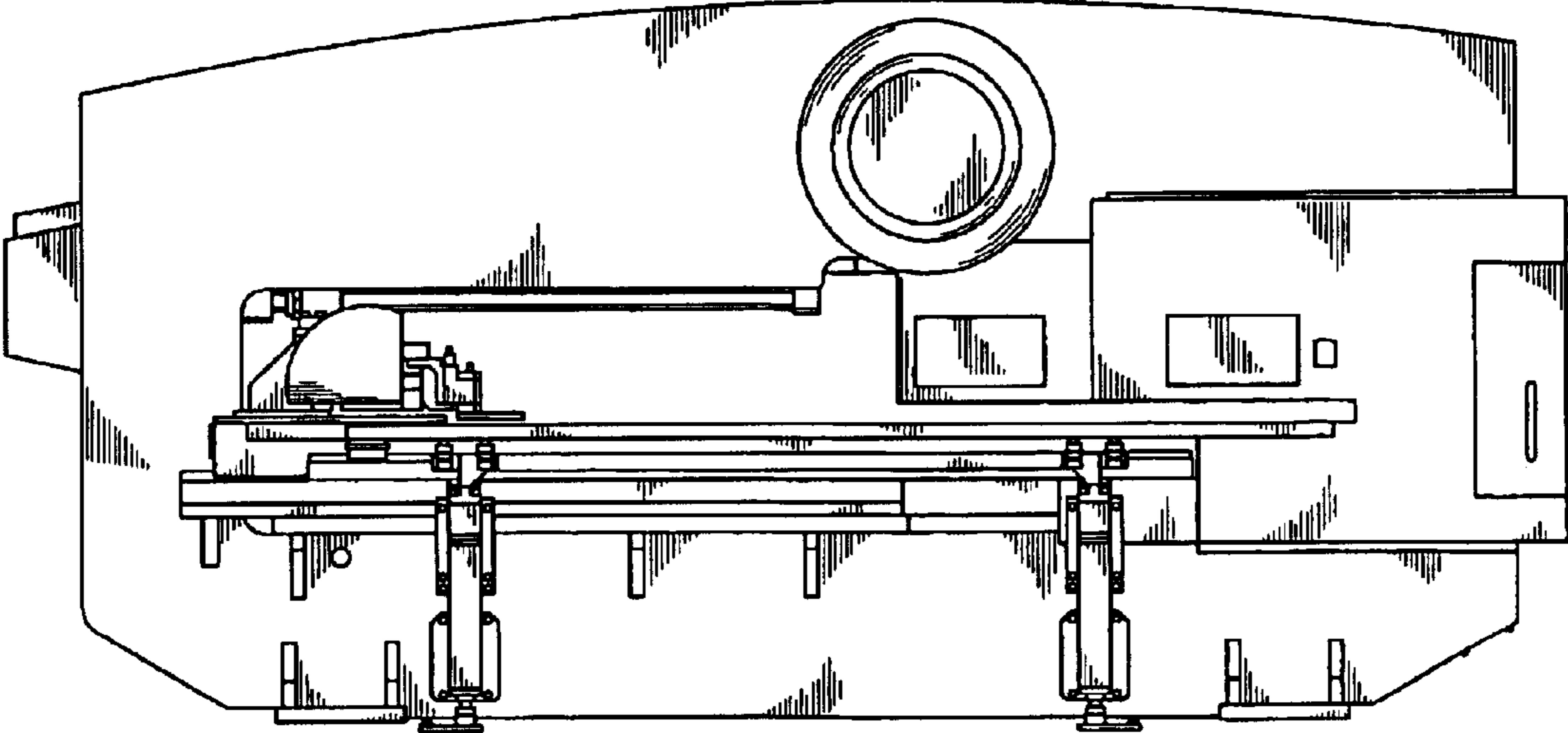


Fig.4

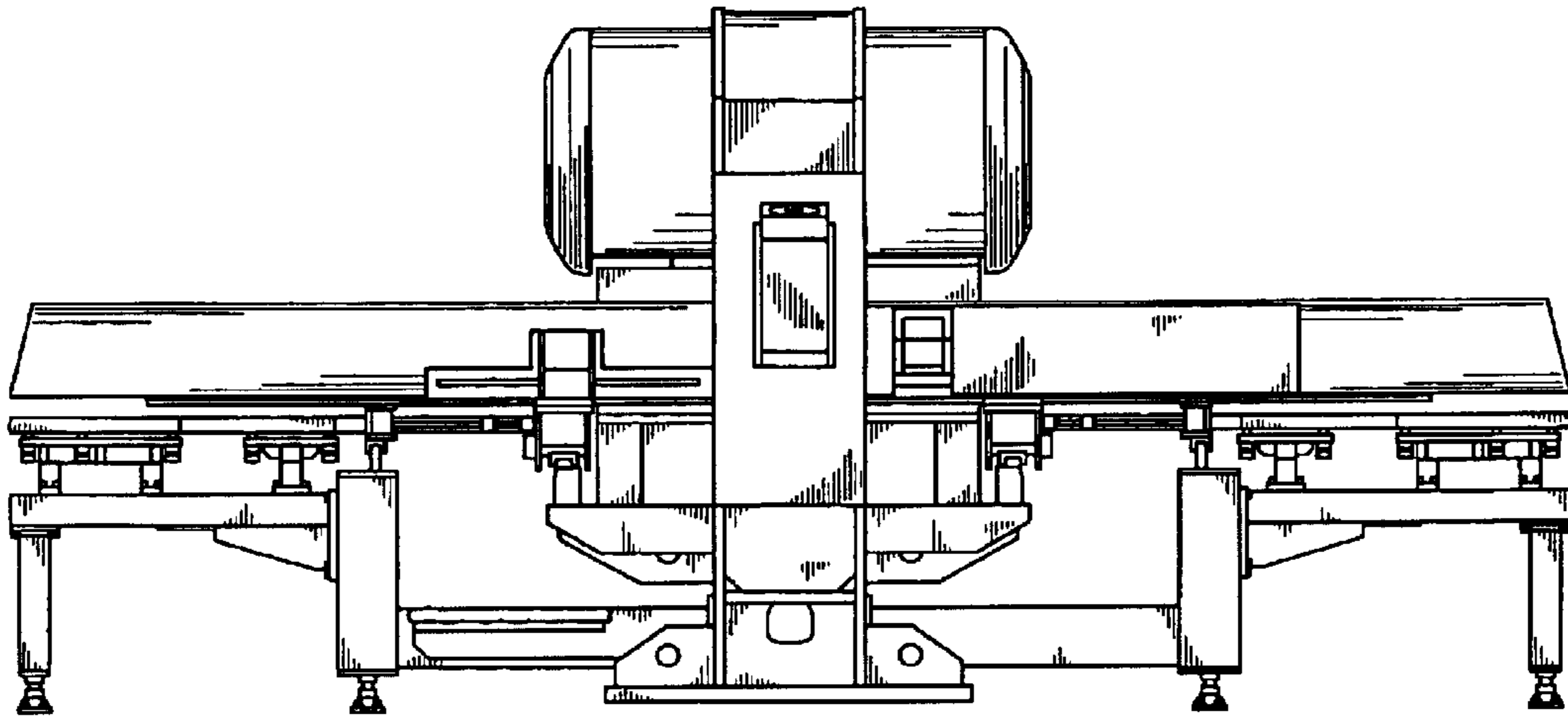


Fig.5

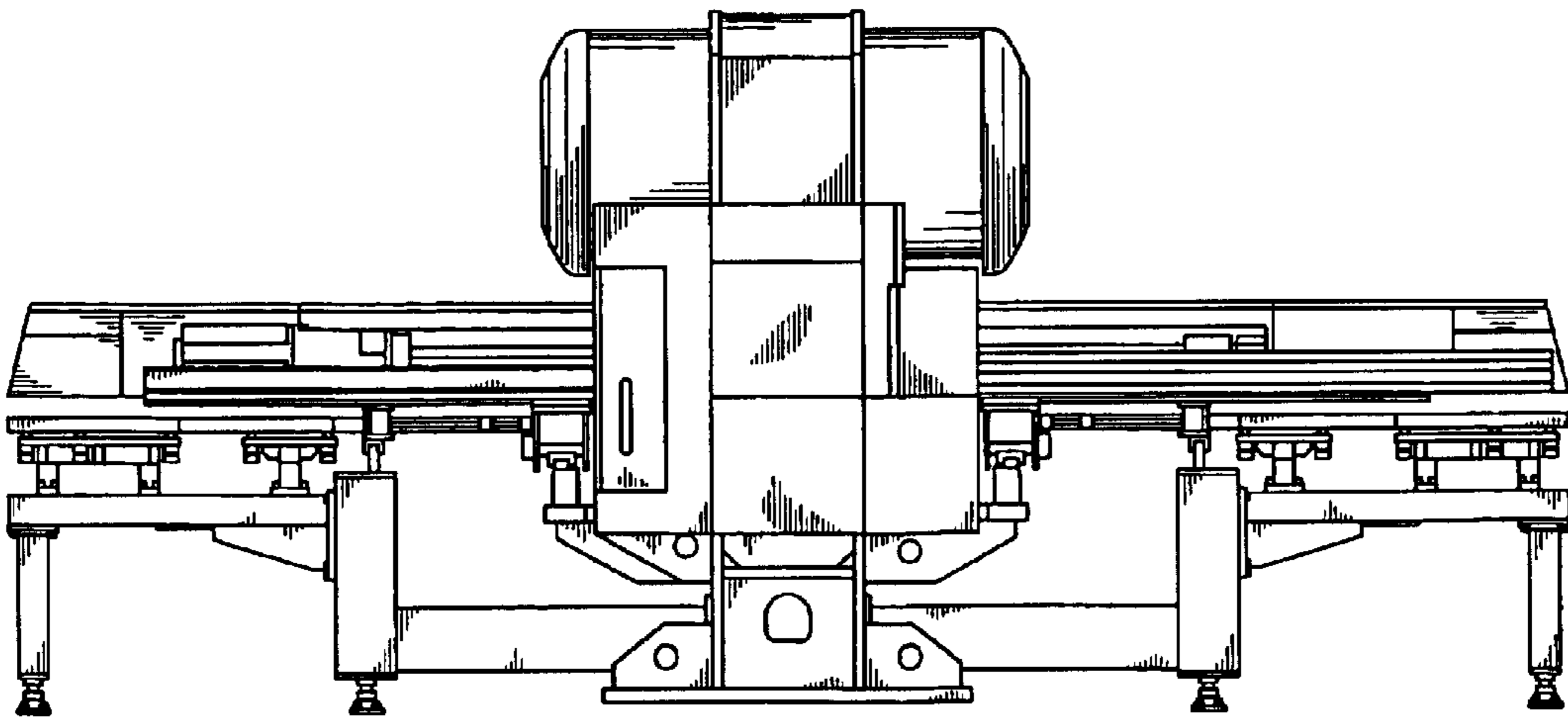


Fig.6

