

US00D506481S

(12) **United States Design Patent**  
**Olsen et al.**

(10) **Patent No.: US D506,481 S**  
(45) **Date of Patent: \*\* Jun. 21, 2005**

(54) **GRINDING TOOL**

(75) Inventors: **Lars Olsen, Kalmar (SE); Karl Thysell, Kalmar (SE)**

(73) Assignee: **HTC Sweden AB (SE)**

(\*\*) Term: **14 Years**

(21) Appl. No.: **29/209,546**

(22) Filed: **Jul. 16, 2004**

(51) **LOC (8) Cl. .... 15-09**

(52) **U.S. Cl. .... D15/126**

(58) **Field of Search** ..... D15/126, 138-139;  
83/589, 663, 676; 451/548-551; 404/112,  
113, 118, 129

*Primary Examiner*—Antoine D. Davis

(74) *Attorney, Agent, or Firm*—Moore & Van Allen PLLC;  
Michael G. Johnston

(57) **CLAIM**

The ornamental design for a grinding tool, as shown and described.

**DESCRIPTION**

FIG. 1 is a perspective view of a grinding tool showing our new design.

FIG. 2 is a top plan view of the grinding tool shown in FIG. 1 showing our new design.

FIG. 3 is a bottom plan view of the grinding tool shown in FIG. 1 showing our new design.

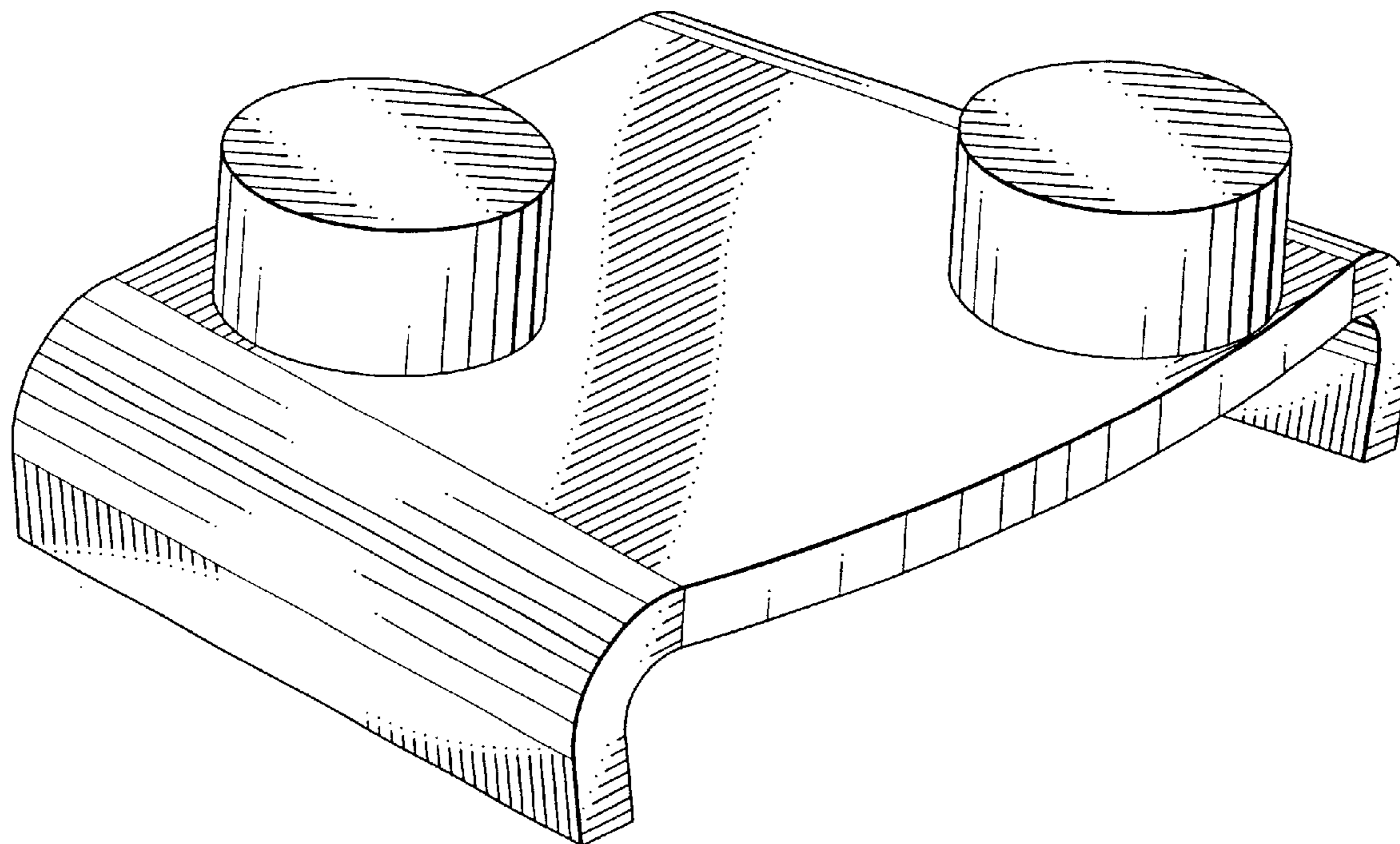
FIG. 4 is a front elevation view of the grinding tool shown in FIG. 1 showing our new design.

FIG. 5 is a rear elevation view of the grinding tool shown in FIG. 1 showing our new design.

FIG. 6 is a right side view of the grinding tool shown in FIG. 1 showing our new design; and,

FIG. 7 is a left side view of the grinding tool shown in FIG. 1 showing our new design.

**1 Claim, 4 Drawing Sheets**



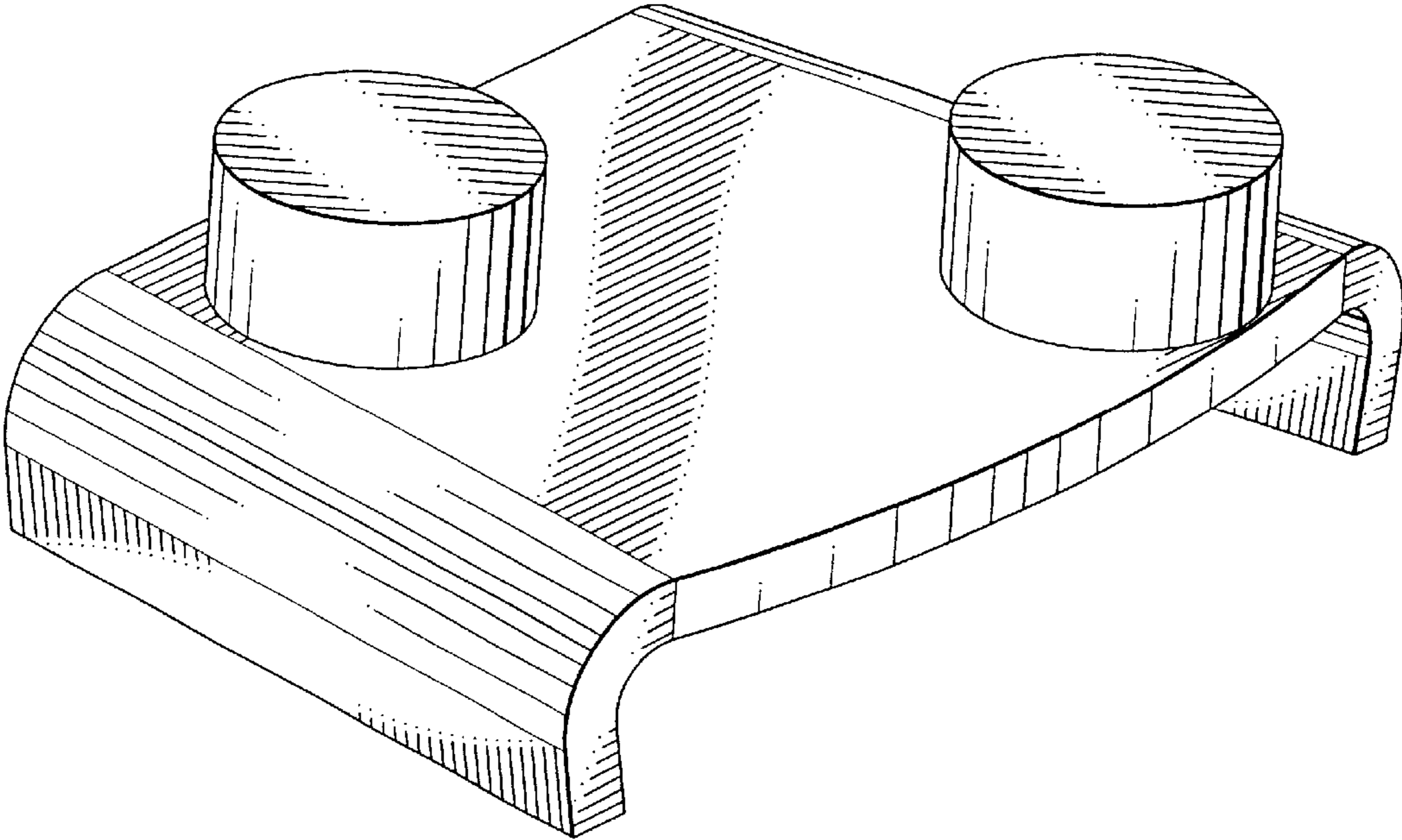


FIG. 1

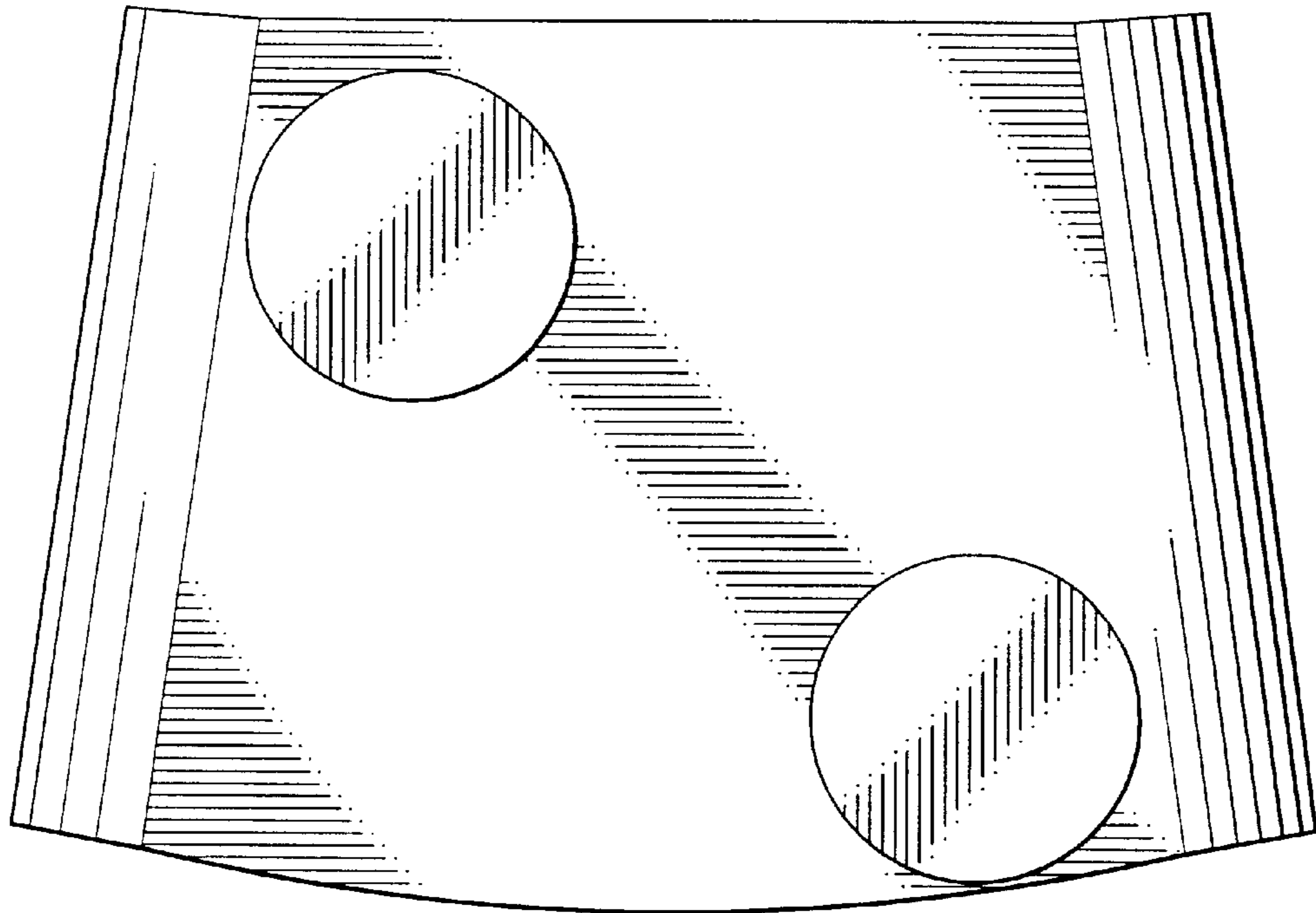


FIG. 2

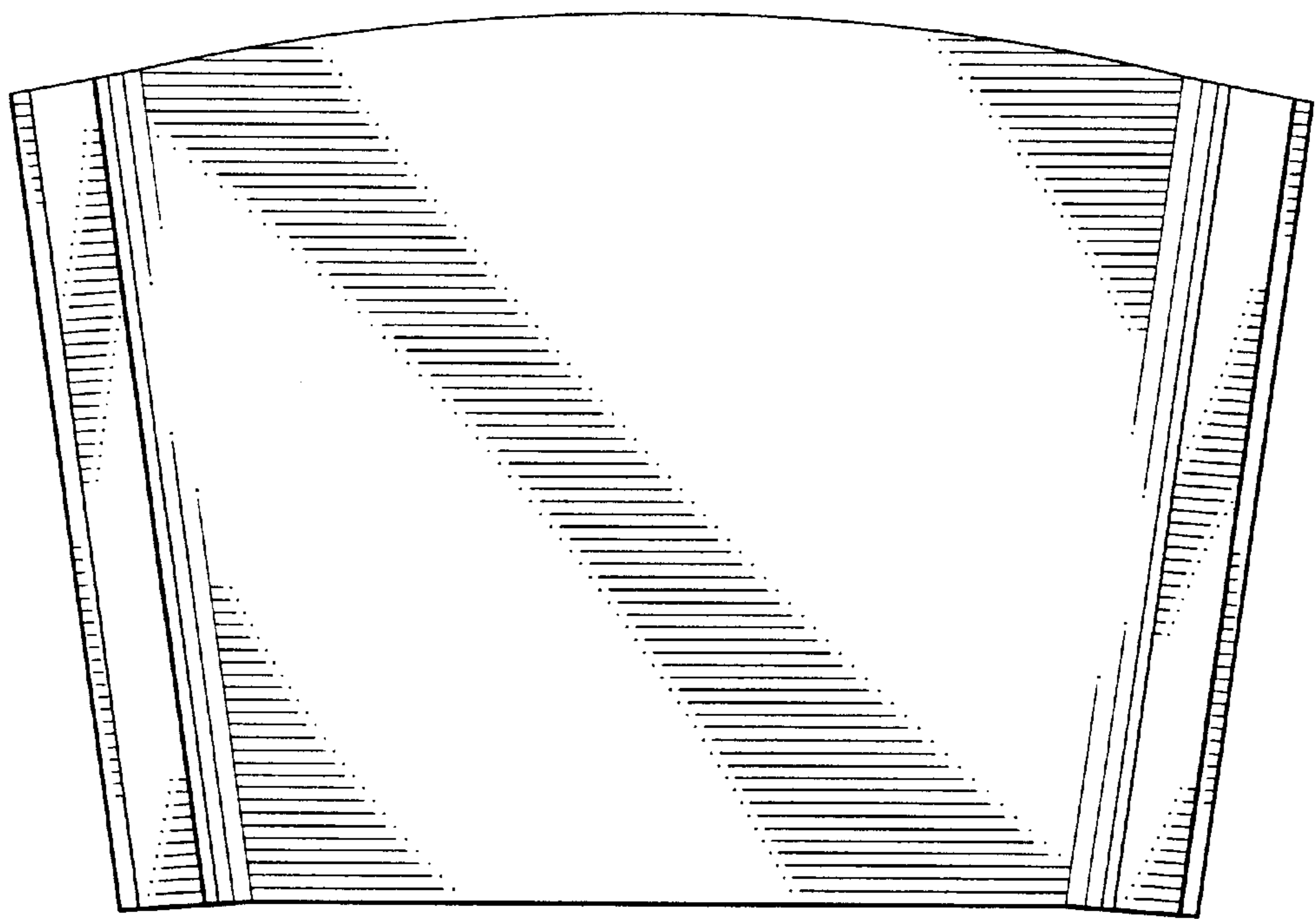


FIG. 3

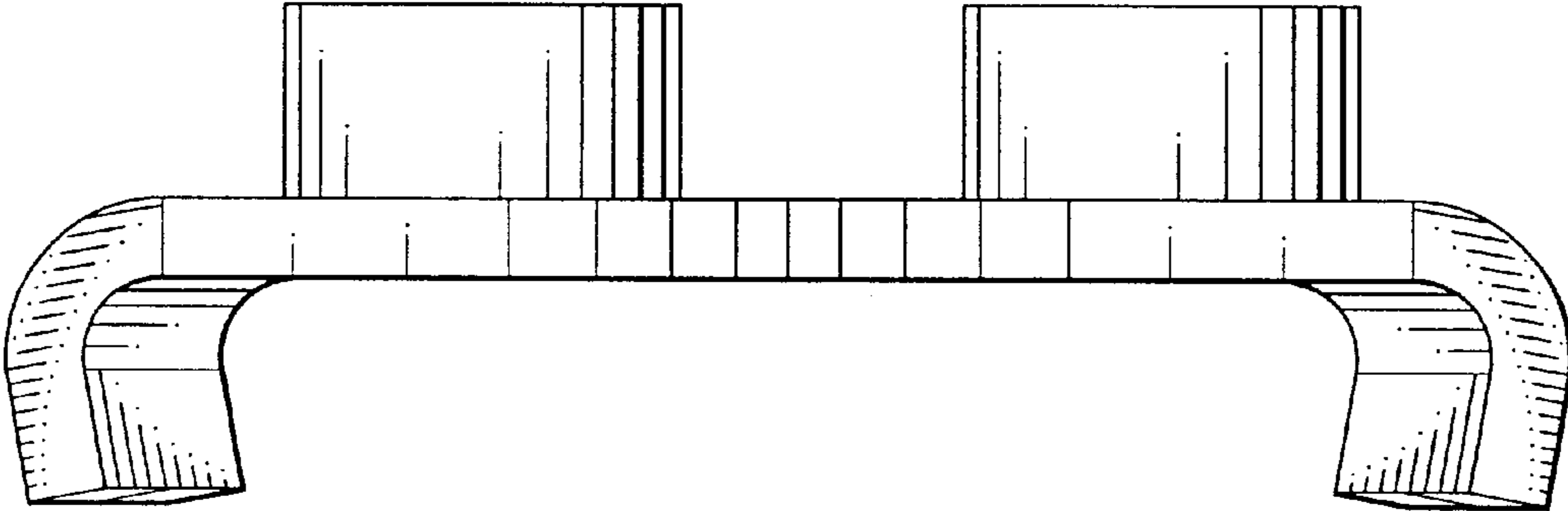


FIG. 4

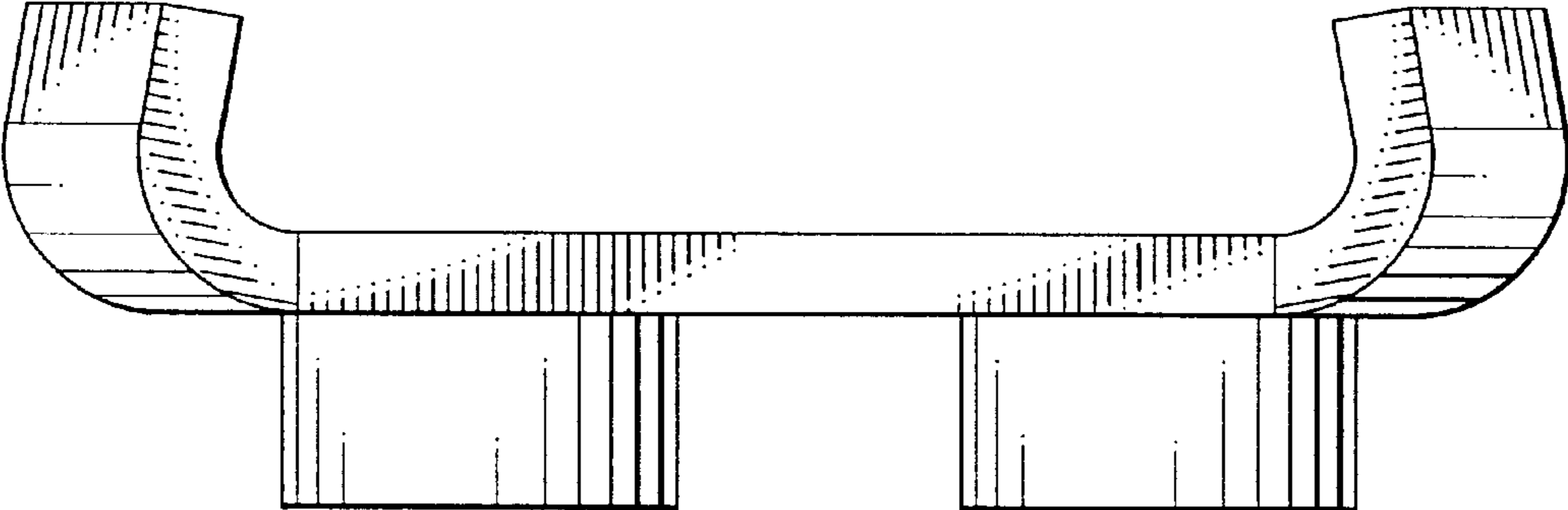


FIG. 5

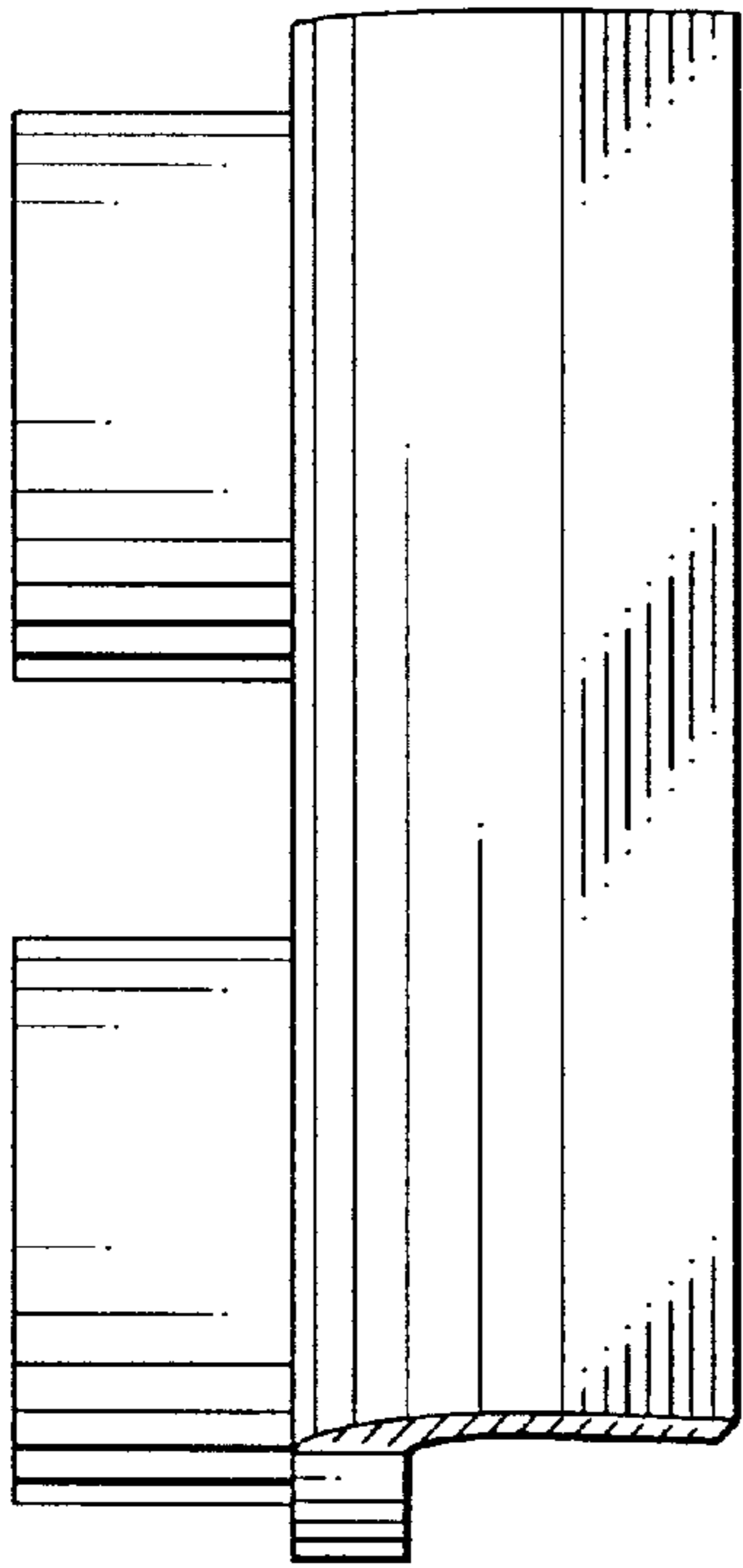


FIG. 6

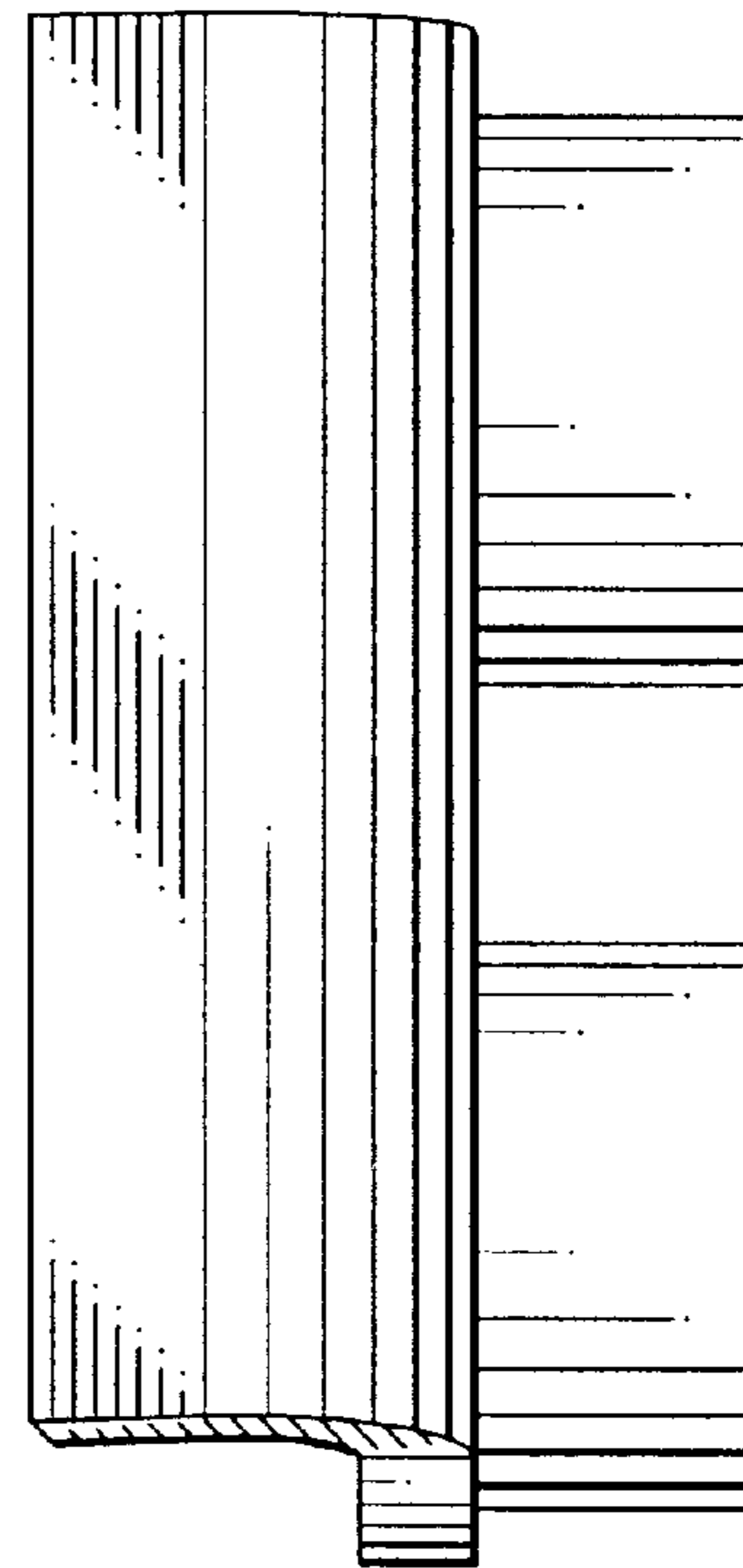


FIG. 7