



US00D506478S

(12) **United States Design Patent**  
**Kuroki**

(10) **Patent No.:** **US D506,478 S**  
(45) **Date of Patent:** **\*\* Jun. 21, 2005**

- (54) **SEWING MACHINE**
- (75) **Inventor:** **Nobufusa Kuroki, Tokyo (JP)**
- (73) **Assignee:** **Janome Sewing Machine Company Limited, Tokyo (JP)**
- (\*\*) **Term:** **14 Years**
- (21) **Appl. No.:** **29/210,739**
- (22) **Filed:** **Aug. 6, 2004**
- (30) **Foreign Application Priority Data**  
Apr. 27, 2004 (JP) ..... 2004-012748
- (51) **LOC (8) Cl.** ..... **15-07**
- (52) **U.S. Cl.** ..... **D15/70; D15/69**
- (58) **Field of Search** ..... **D15/66, 69, 70;**  
**112/154, 444, 217.1, 217.2, 217.3, 217.4,**  
**258-260; D21/527**

- D437,329 S \* 2/2001 Kuroki ..... D15/69
- D450,719 S \* 11/2001 Kuroki et al. .... D15/69
- D450,720 S \* 11/2001 Kuroki ..... D15/69
- D460,765 S \* 7/2002 Kuroki ..... D15/69
- D474,208 S \* 5/2003 Kawaguchi ..... D15/69
- D481,739 S \* 11/2003 Iwai ..... D15/69
- D483,774 S \* 12/2003 Kuroki ..... D15/69

\* cited by examiner

*Primary Examiner*—Stella Reid  
*Assistant Examiner*—Shanda C. Hill  
(74) *Attorney, Agent, or Firm*—Jacobson Holman PLLC

(57) **CLAIM**

The ornamental design for a sewing machine, as shown and described.

**DESCRIPTION**

FIG. 1 is a front perspective view showing my new design for a sewing machine,  
FIG. 2 is a top view thereof;  
FIG. 3 is a bottom view thereof;  
FIG. 4 is a front view thereof;  
FIG. 5 is a rear view thereof;  
FIG. 6 is a left side view thereof; and,  
FIG. 7 is a right side view thereof.

(56) **References Cited**

**U.S. PATENT DOCUMENTS**

- D291,999 S \* 9/1987 Yoneda ..... D15/69
- D359,964 S \* 7/1995 Nakajima et al. .... D15/69
- D433,690 S \* 11/2000 Kuroki ..... D15/70
- D434,781 S \* 12/2000 Kawaguchi ..... D15/69

**1 Claim, 4 Drawing Sheets**

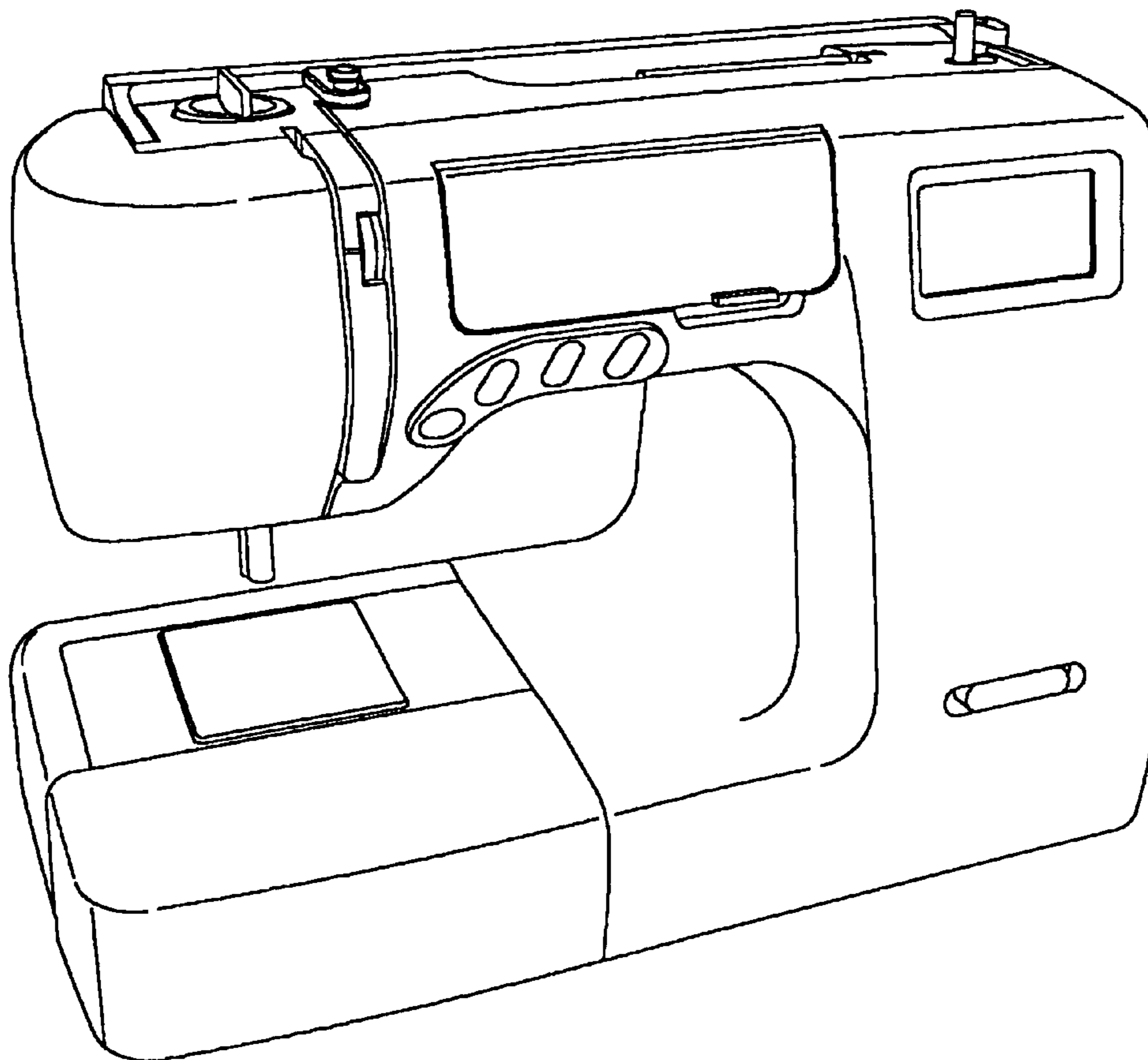


FIG. 1

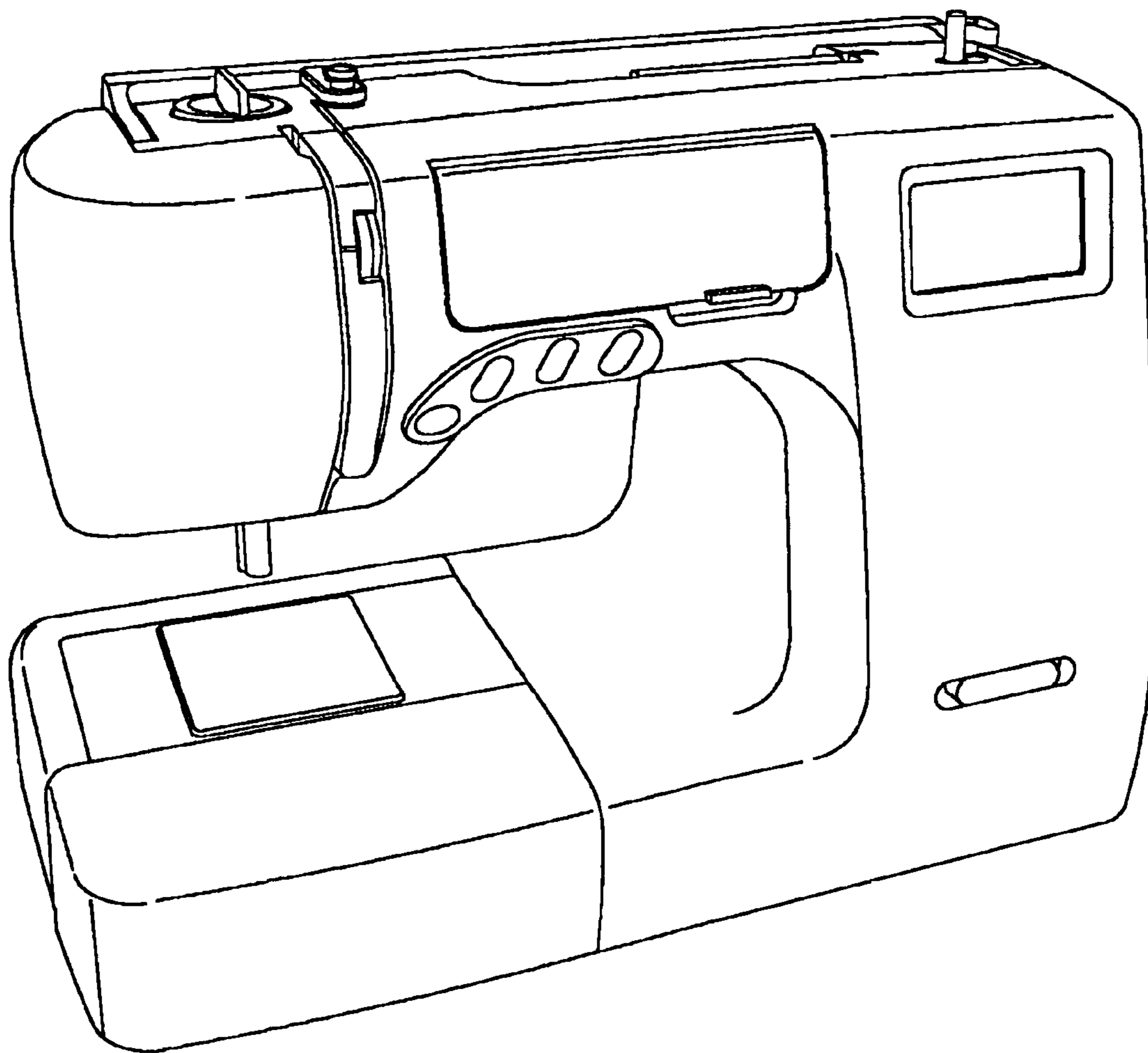


FIG. 2

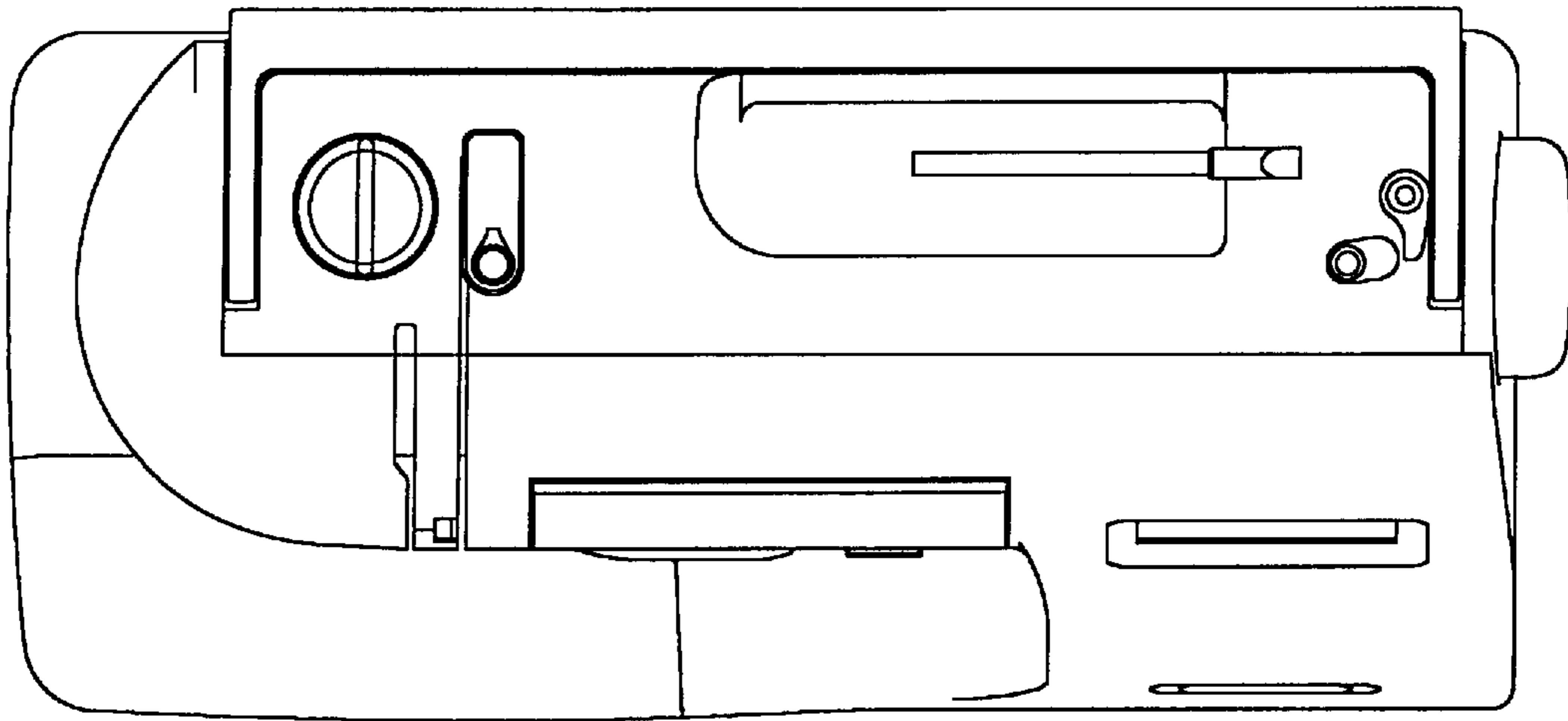


FIG. 3

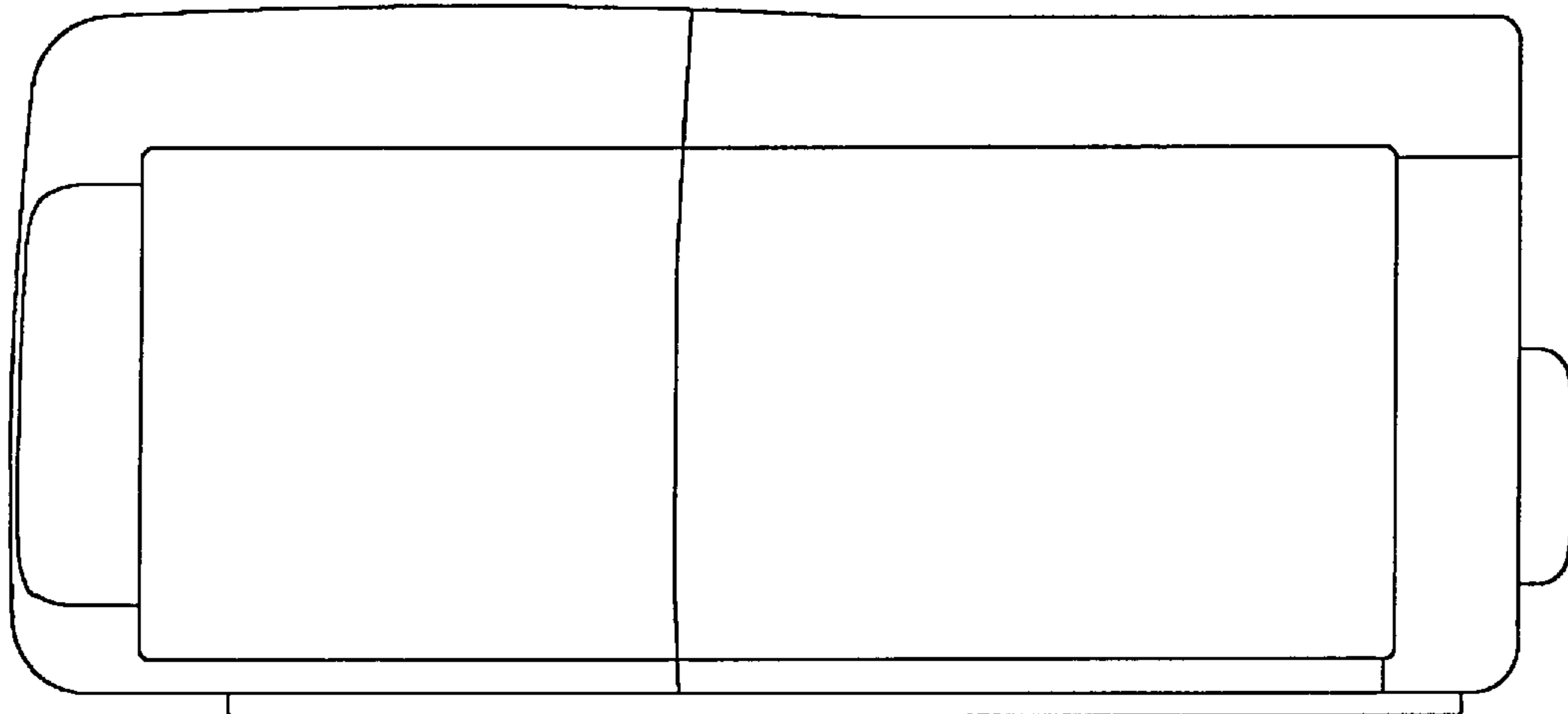


FIG. 4

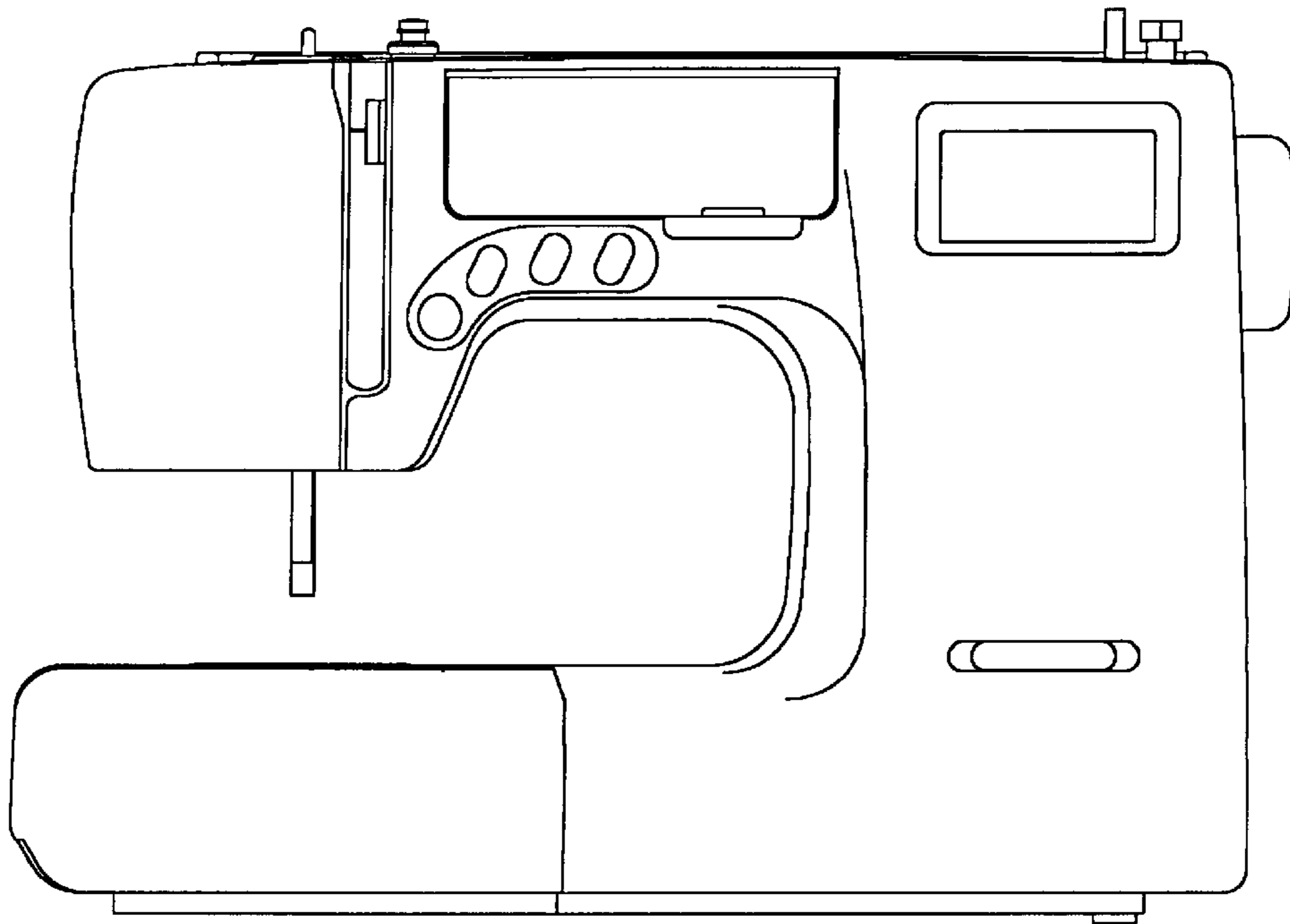


FIG. 5

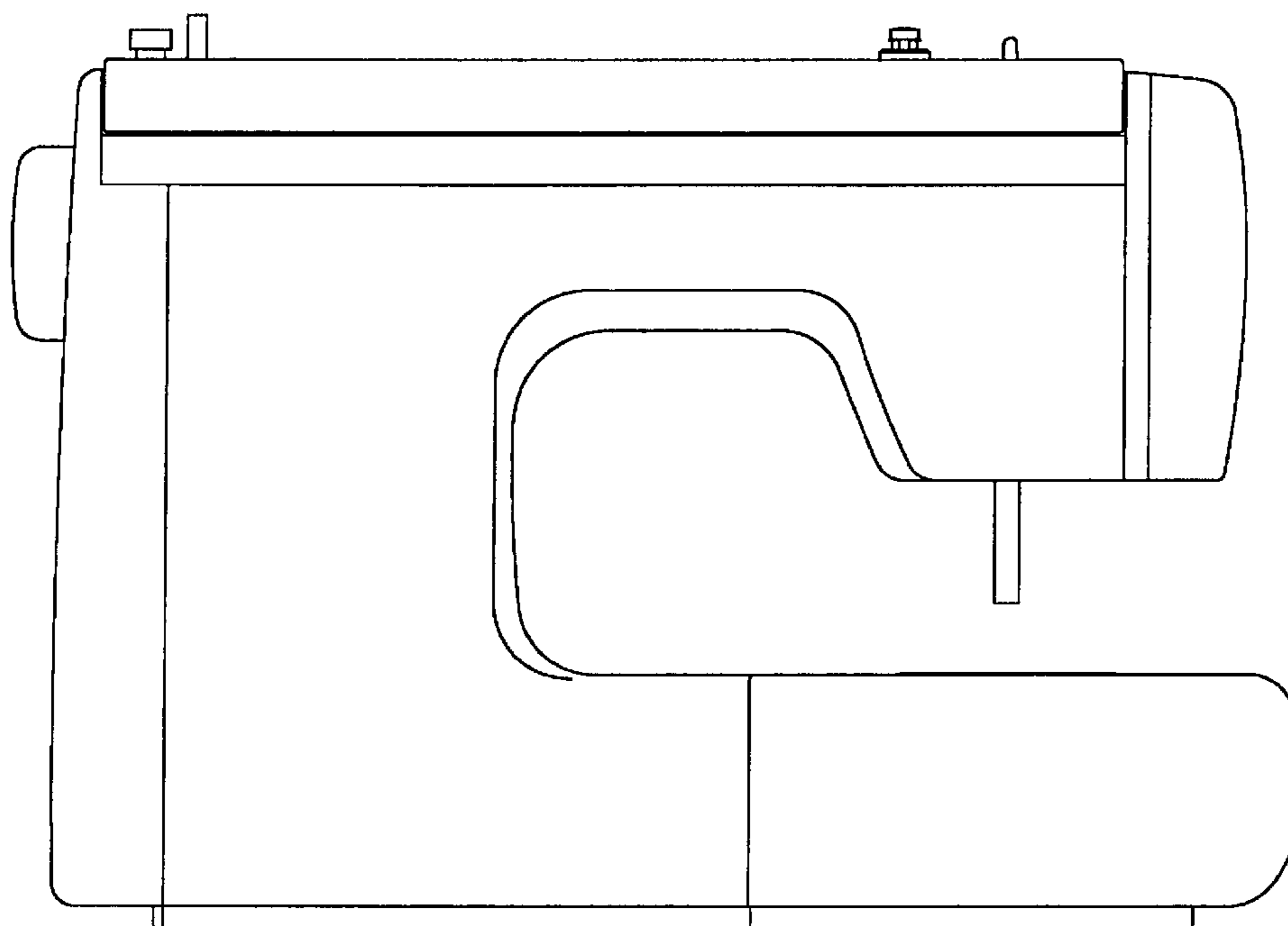


FIG. 6

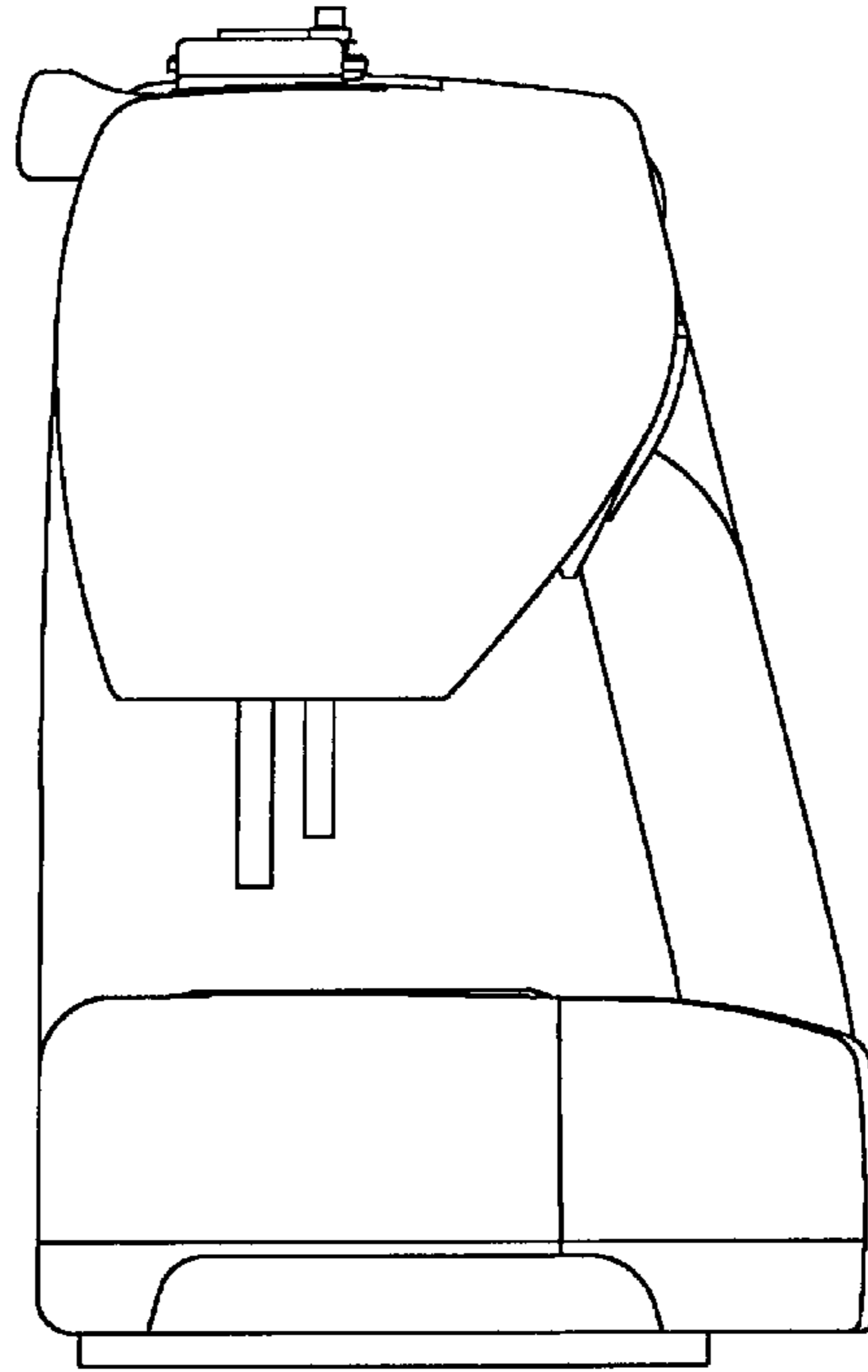


FIG. 7

