

US00D506471S

(12) **United States Design Patent**
Iikura et al.

(10) **Patent No.:** **US D506,471 S**
(45) **Date of Patent:** **** Jun. 21, 2005**

- (54) **DATA MEMORY STORAGE DRIVE**
- (75) Inventors: **Yukio Iikura**, Tokyo (JP); **Satoshi Sukeguchi**, Tokyo (JP)
- (73) Assignee: **TEAC Corporation**, Tokyo (JP)
- (**) Term: **14 Years**
- (21) Appl. No.: **29/199,569**
- (22) Filed: **Feb. 17, 2004**
- (30) **Foreign Application Priority Data**
Aug. 18, 2003 (JP) 2003-023740
- (51) **LOC (8) Cl.** **14-99**
- (52) **U.S. Cl.** **D14/474**
- (58) **Field of Search** D14/156-7, 160-5,
D14/167-168, 188-9, 217-218, 496, 432-438,
474-479; 455/344, 346-51, 2.01; 725/14,
24; 369/75.1

- D445,776 S * 7/2001 Ishii et al. D14/167
- D458,610 S * 6/2002 Kadonaga D14/474
- D486,814 S * 2/2004 Nakamura D14/167
- D487,750 S * 3/2004 Dietel et al. D14/474
- D489,053 S * 4/2004 Nakamura D14/167

* cited by examiner

Primary Examiner—M. H. Tung
(74) *Attorney, Agent, or Firm*—Weingarten, Schurgin,
Gagnebin & Lebovici LLP

(57) **CLAIM**

The ornamental design for a data memory storage drive, as shown.

DESCRIPTION

FIG. 1 is a front view of data memory storage drive;
FIG. 2 is a top view thereof;
FIG. 3 is a bottom view thereof;
FIG. 4 is a left-side view thereof;
FIG. 5 is a right-side view thereof;
FIG. 6 is a perspective view thereof;
FIG. 7 is an exploded front perspective view thereof;
FIG. 8 is a rear perspective view thereof; the cap is shown separately for clarity of illustration; and,
FIG. 9 is a rear view thereof.

1 Claim, 3 Drawing Sheets

- (56) **References Cited**
U.S. PATENT DOCUMENTS
D304,191 S * 10/1989 Sekine D14/192
D417,869 S * 12/1999 Yasutomi D14/168
D426,223 S * 6/2000 Nomura D14/167

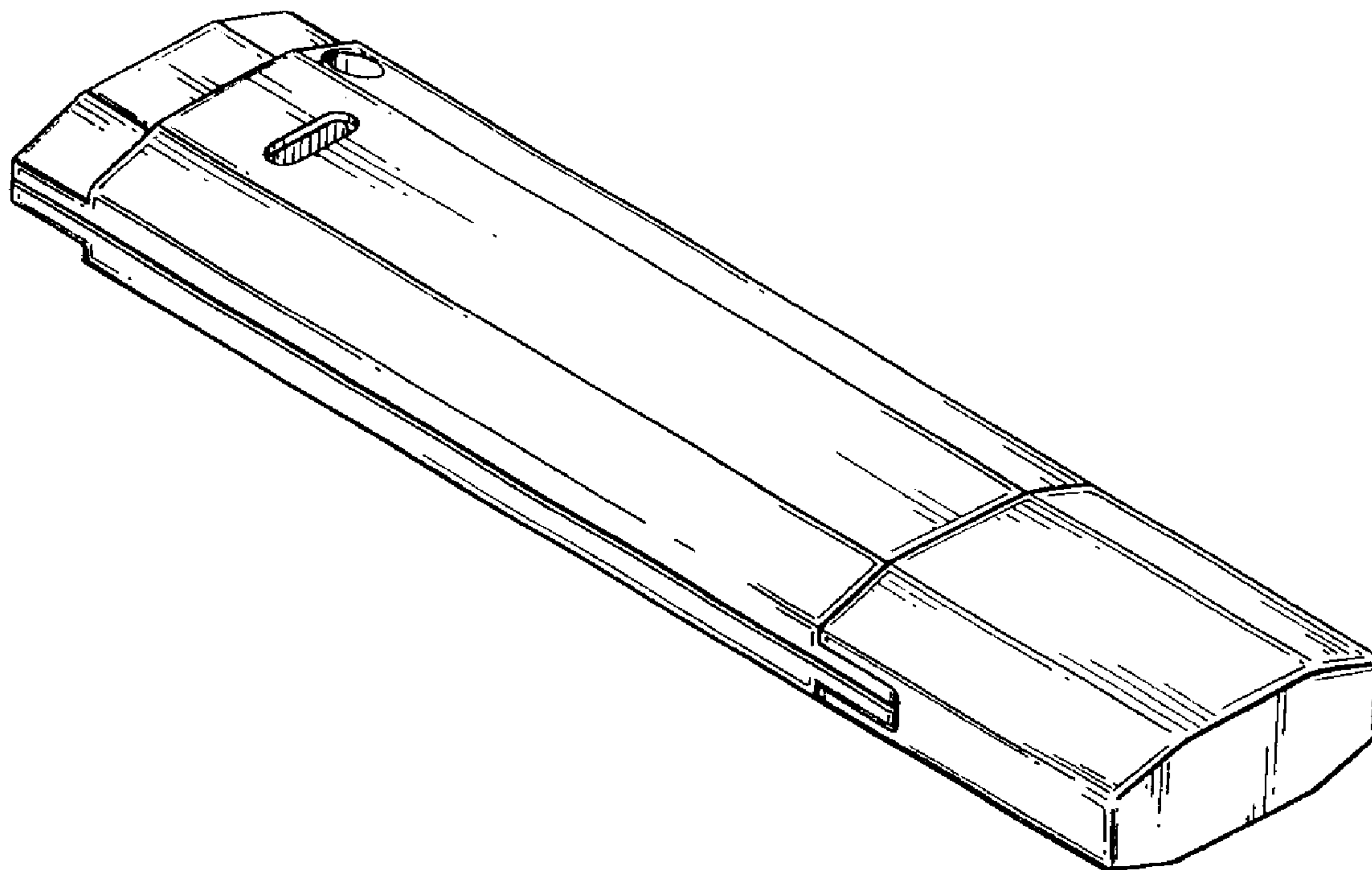


Fig. 1

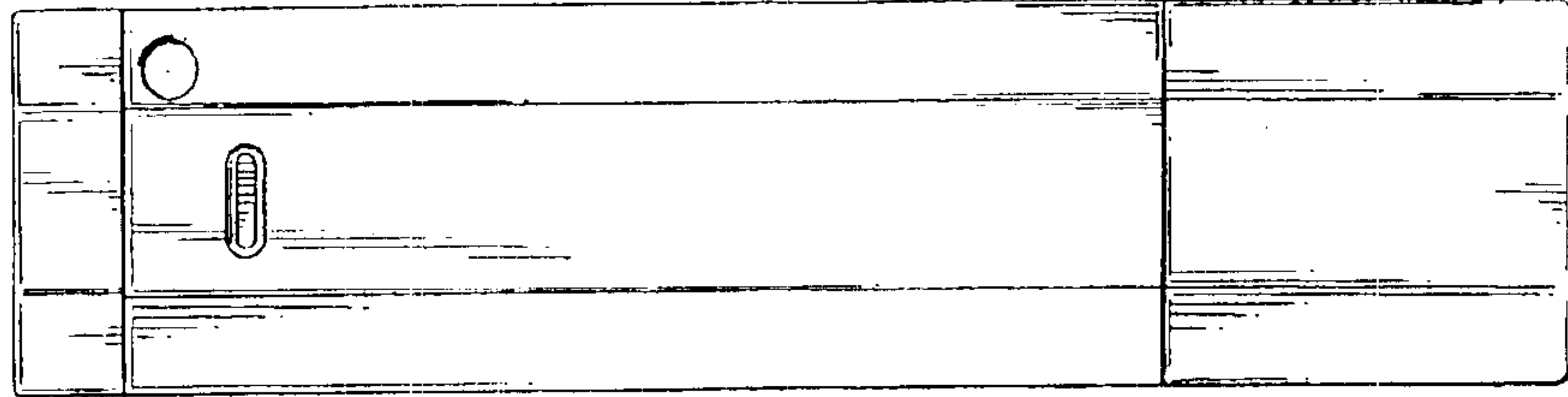


Fig. 2

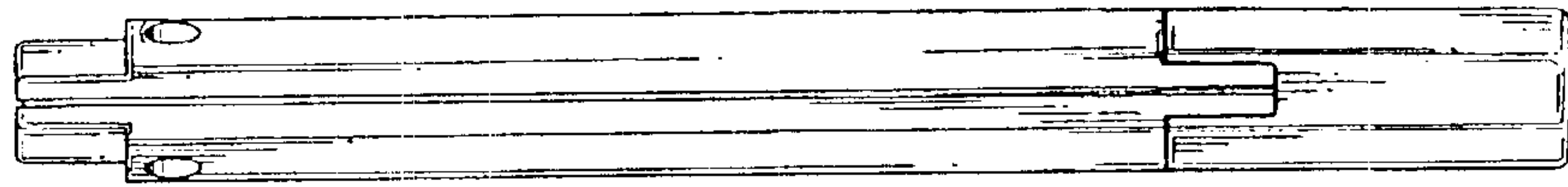


Fig. 3

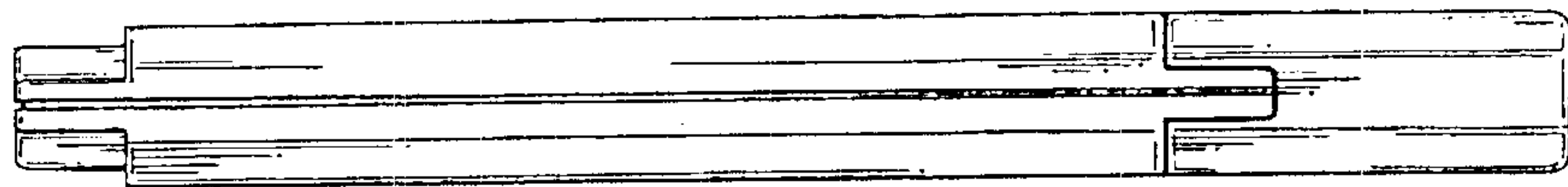


Fig. 4

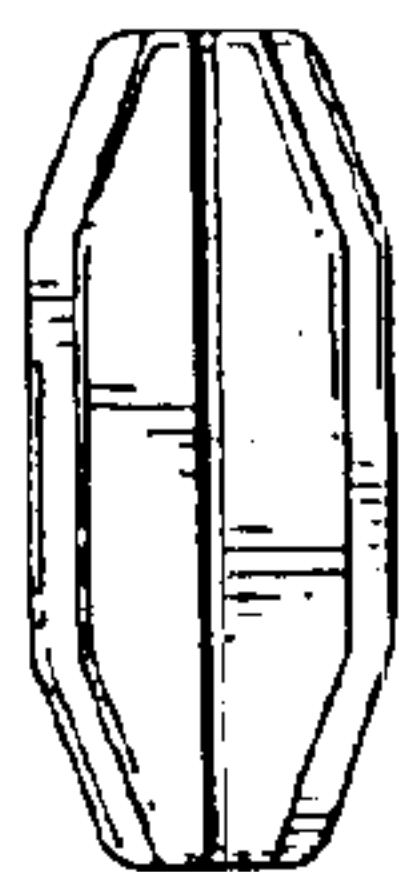


Fig. 5



Fig. 6

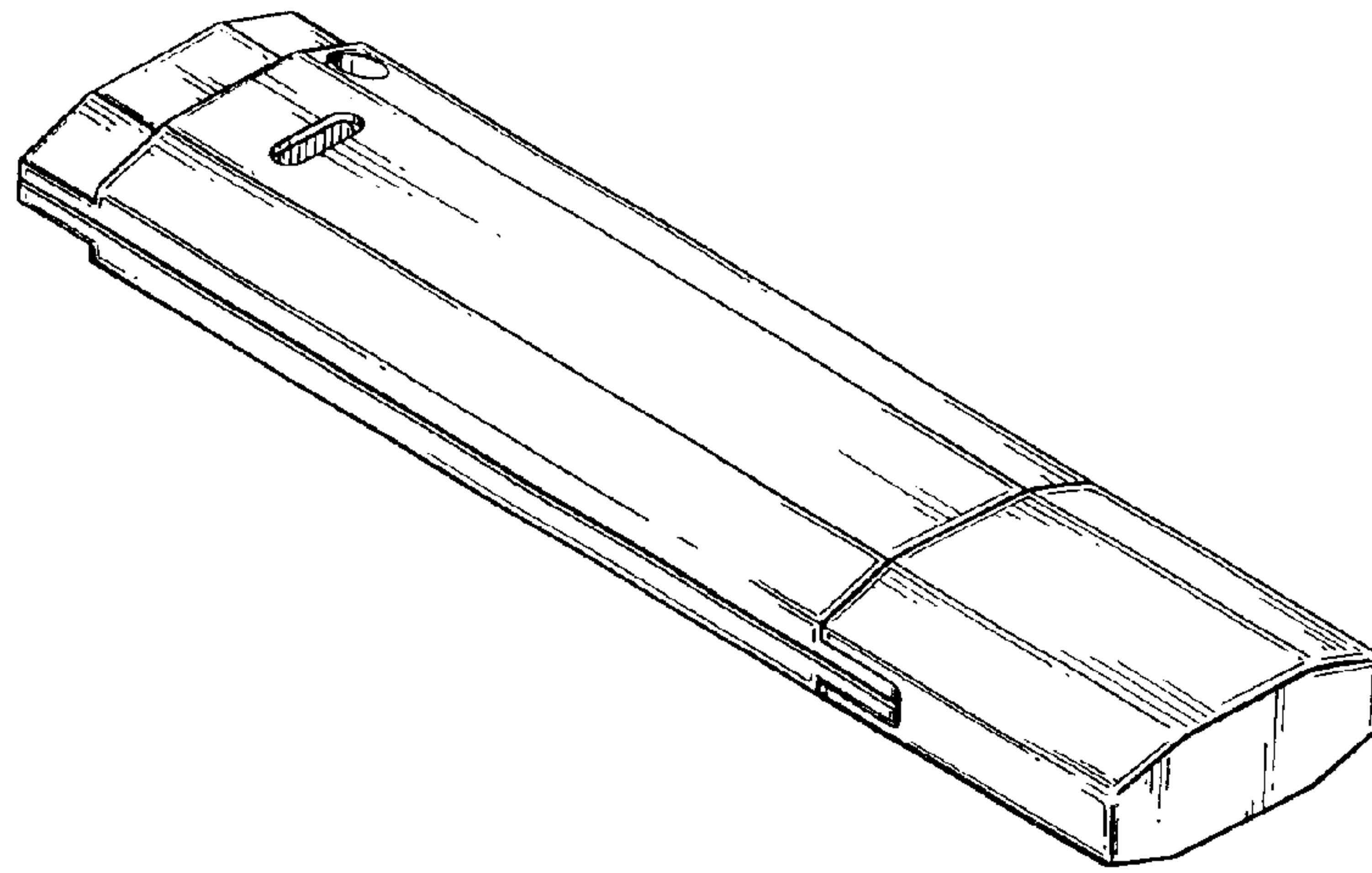


Fig. 7

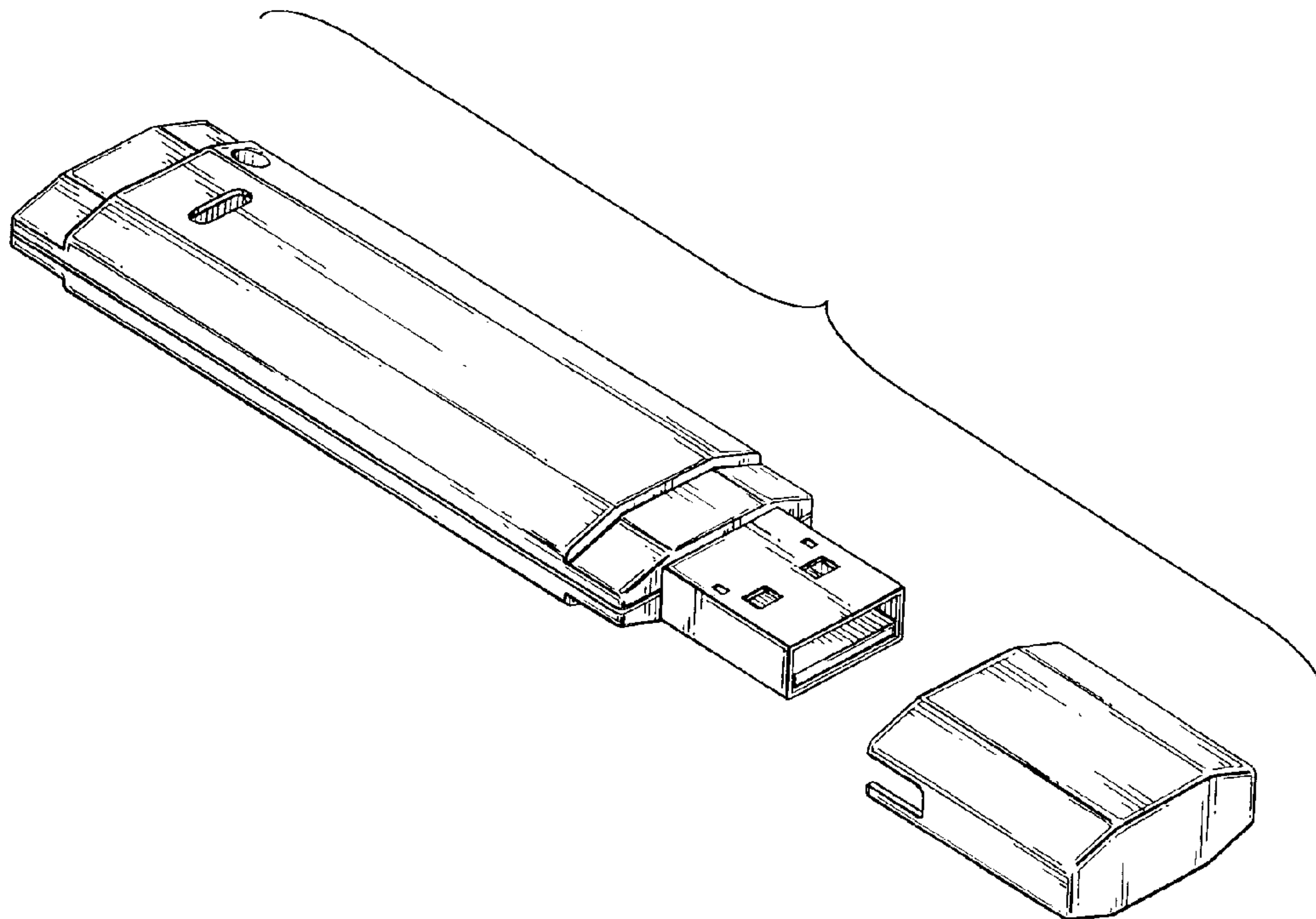


Fig. 8

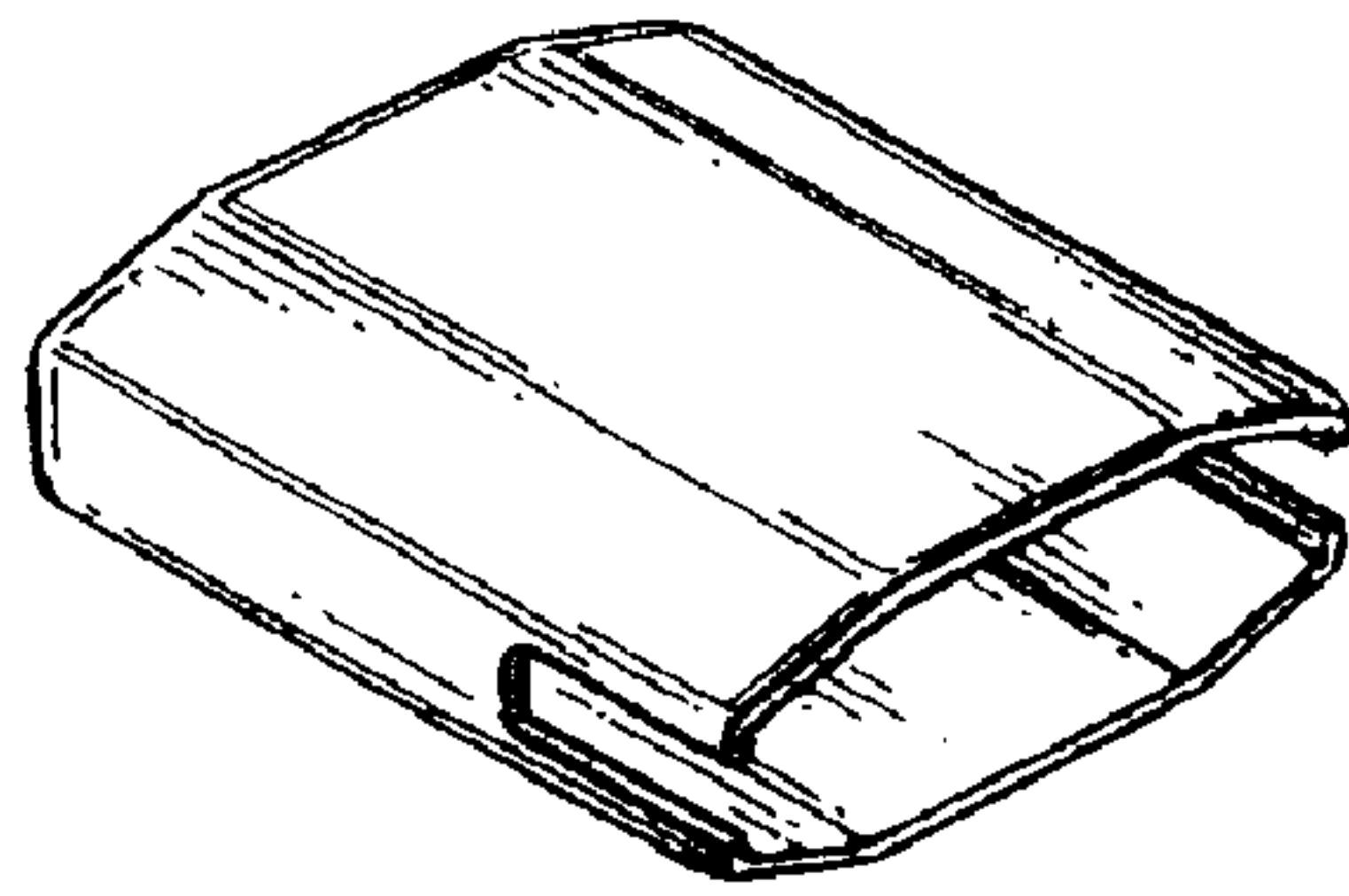


Fig. 9

