

US00D506469S

(12) **United States Design Patent**
Matsunaga

(10) **Patent No.:** **US D506,469 S**
(45) **Date of Patent:** **** Jun. 21, 2005**

(54) **ELECTRICAL CONNECTOR**

(75) Inventor: **Akihiro Matsunaga**, Tachikawa (JP)

(73) Assignee: **Japan Aviation Electronics Industry, Limited**, Tokyo (JP)

(**) Term: **14 Years**

(21) Appl. No.: **29/192,072**

(22) Filed: **Oct. 17, 2003**

(30) **Foreign Application Priority Data**

Apr. 24, 2003 (JP) 2003-015558

(51) **LOC (8) Cl.** **14-02**

(52) **U.S. Cl.** **D14/433**

(58) **Field of Search** D14/432-3, 439,
D14/440-1; 439/65, 295, 159, 441, 660,
862, 152; 361/679-87, 726-7; D13/133,
146, 152

(56) **References Cited**

U.S. PATENT DOCUMENTS

6,482,030 B1 * 11/2002 Kuo 439/541.5
6,626,689 B1 * 9/2003 Yu 439/159
6,629,860 B1 * 10/2003 Hu et al. 439/607
D482,692 S * 11/2003 Nishio et al. D14/433

D484,508 S * 12/2003 Crippen et al. D14/439
D489,725 S * 5/2004 Hu et al. D14/433
2004/0009691 A1 * 1/2004 Chang 439/159

* cited by examiner

Primary Examiner—M. H. Tung

(74) *Attorney, Agent, or Firm*—Collard & Roe, P.C.

(57) **CLAIM**

The ornamental design for an electrical connector, as shown and described.

DESCRIPTION

FIG. 1 is a front, top, and right side perspective view of an electrical connector;

FIG. 2 is a front, bottom, and left side perspective view thereof;

FIG. 3 is a rear, bottom, and right side perspective view thereof;

FIG. 4 is a top plan view thereof;

FIG. 5 is a bottom plan view thereof;

FIG. 6 is a front elevational view thereof;

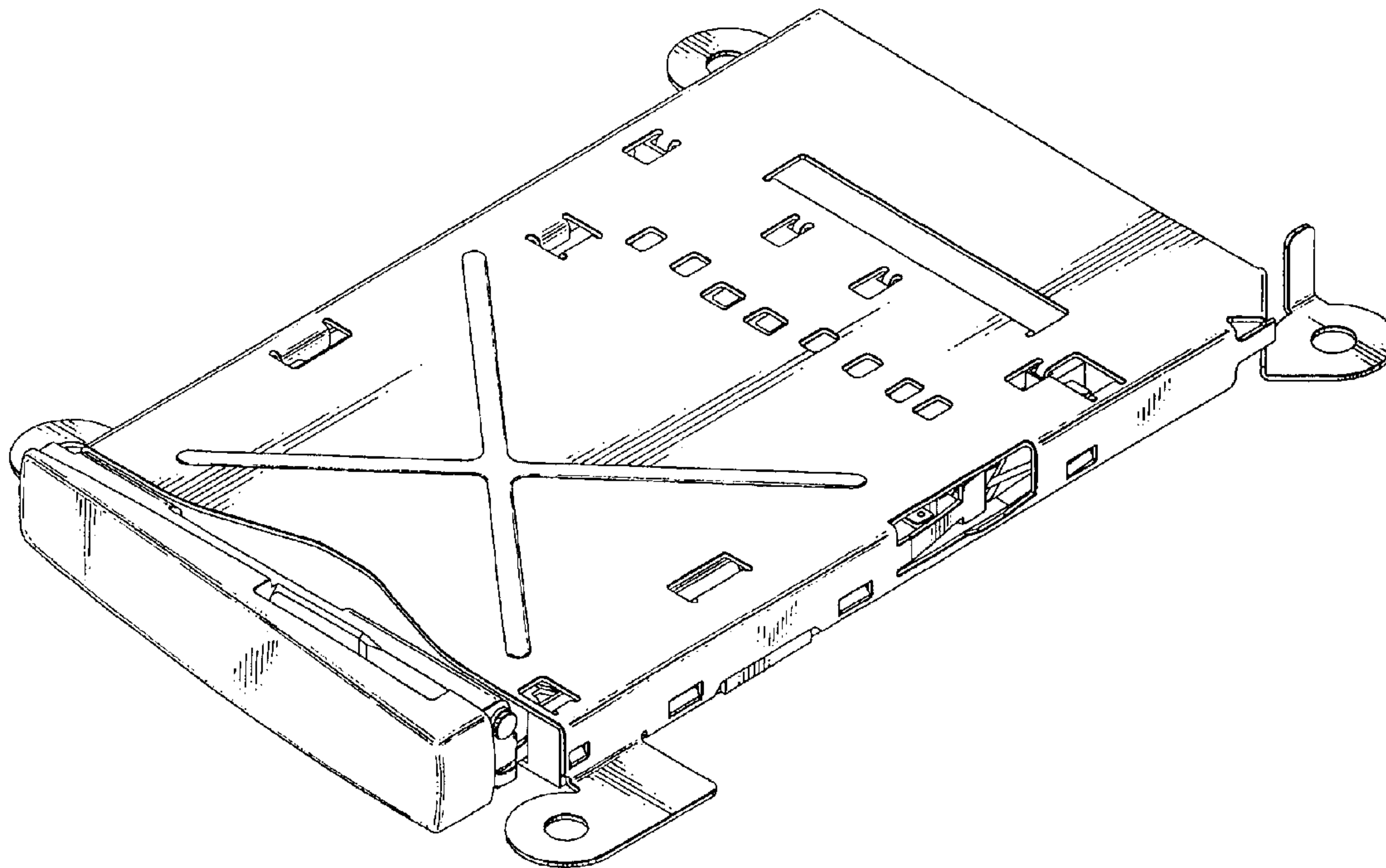
FIG. 7 is a rear elevational view thereof;

FIG. 8 is a left elevational view thereof;

FIG. 9 is a right elevational view thereof; and,

FIG. 10 is a perspective view thereof, in an alternate position, on a reduced scale.

1 Claim, 10 Drawing Sheets



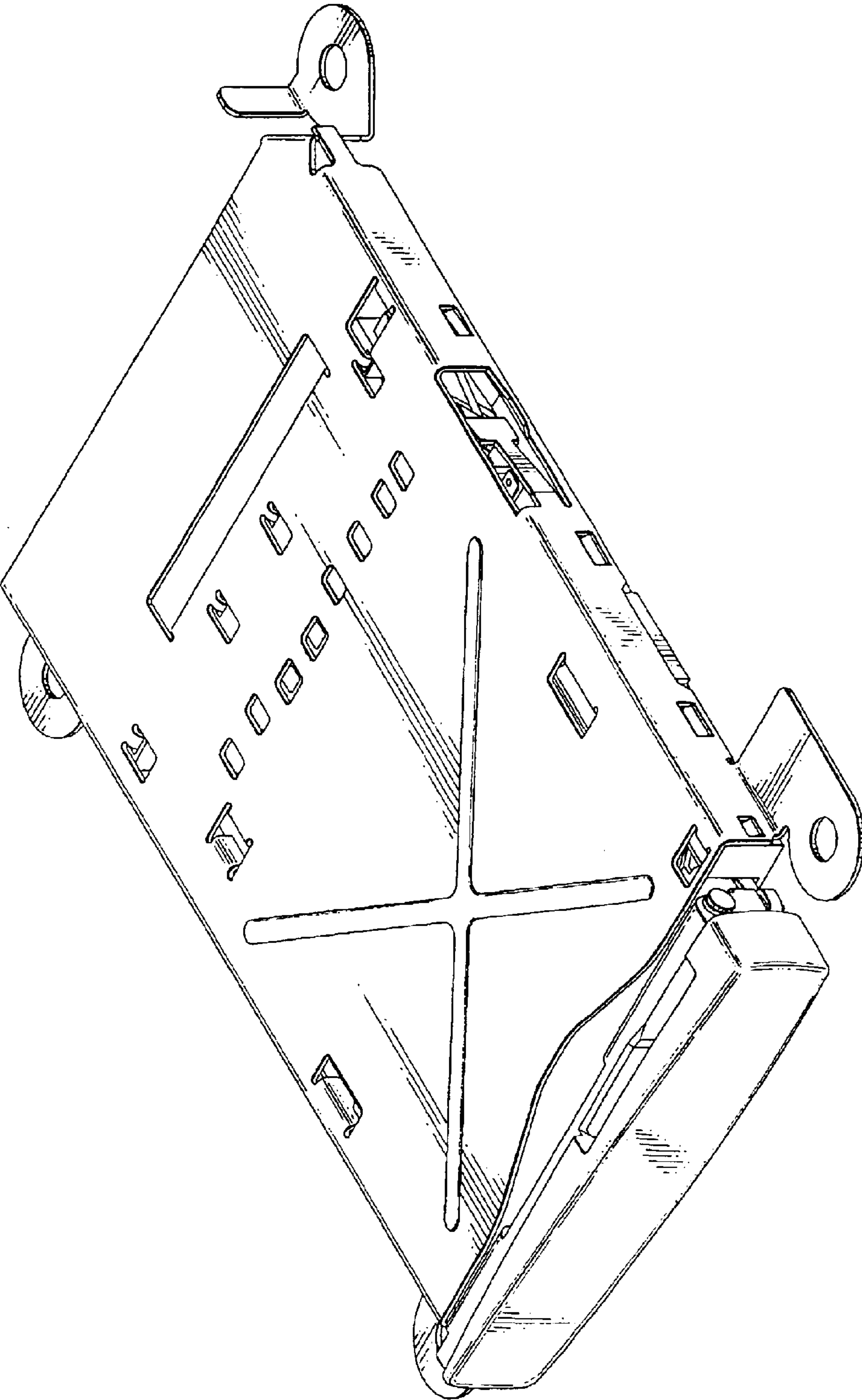


FIG. 1

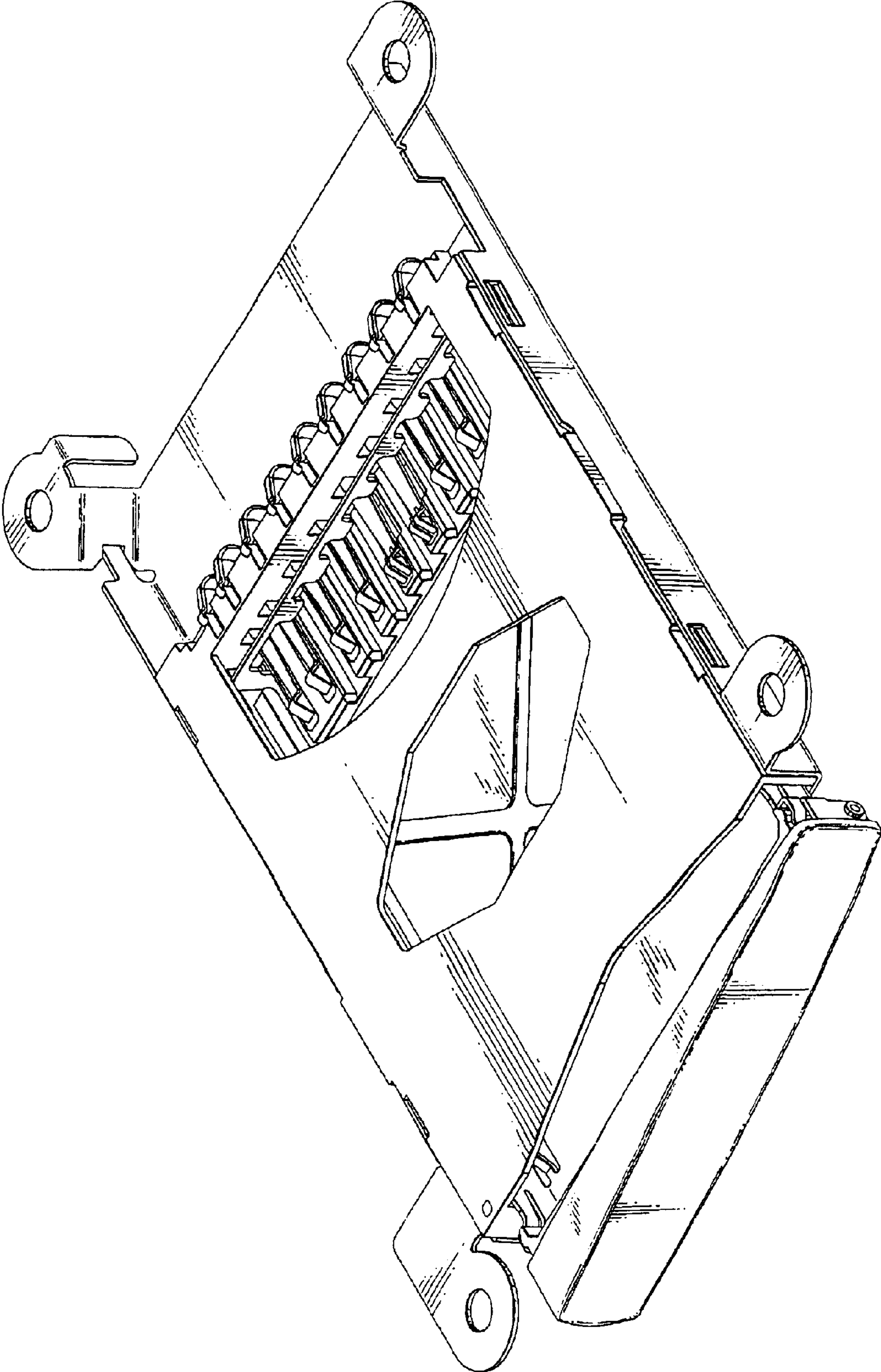


FIG. 2

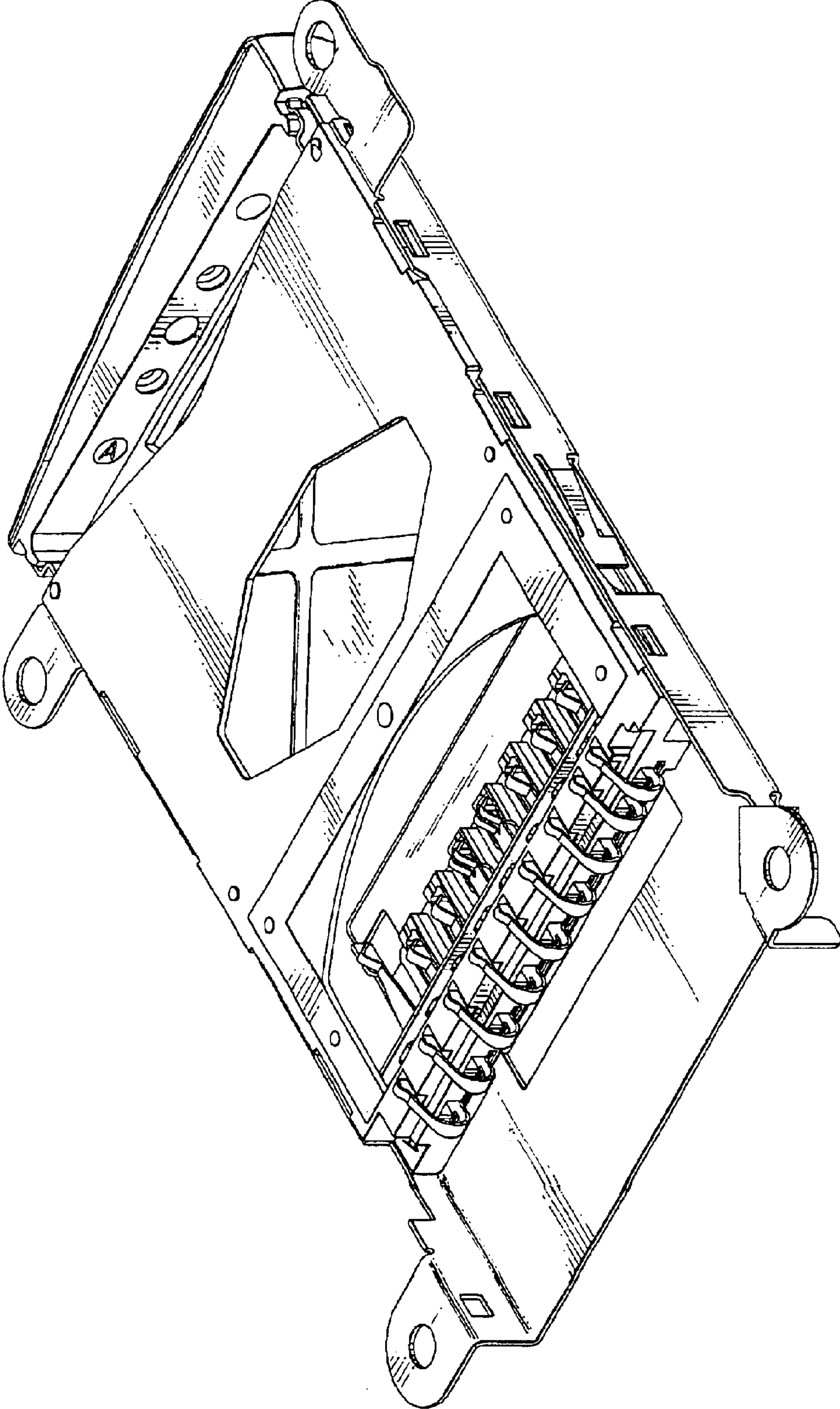


FIG. 3

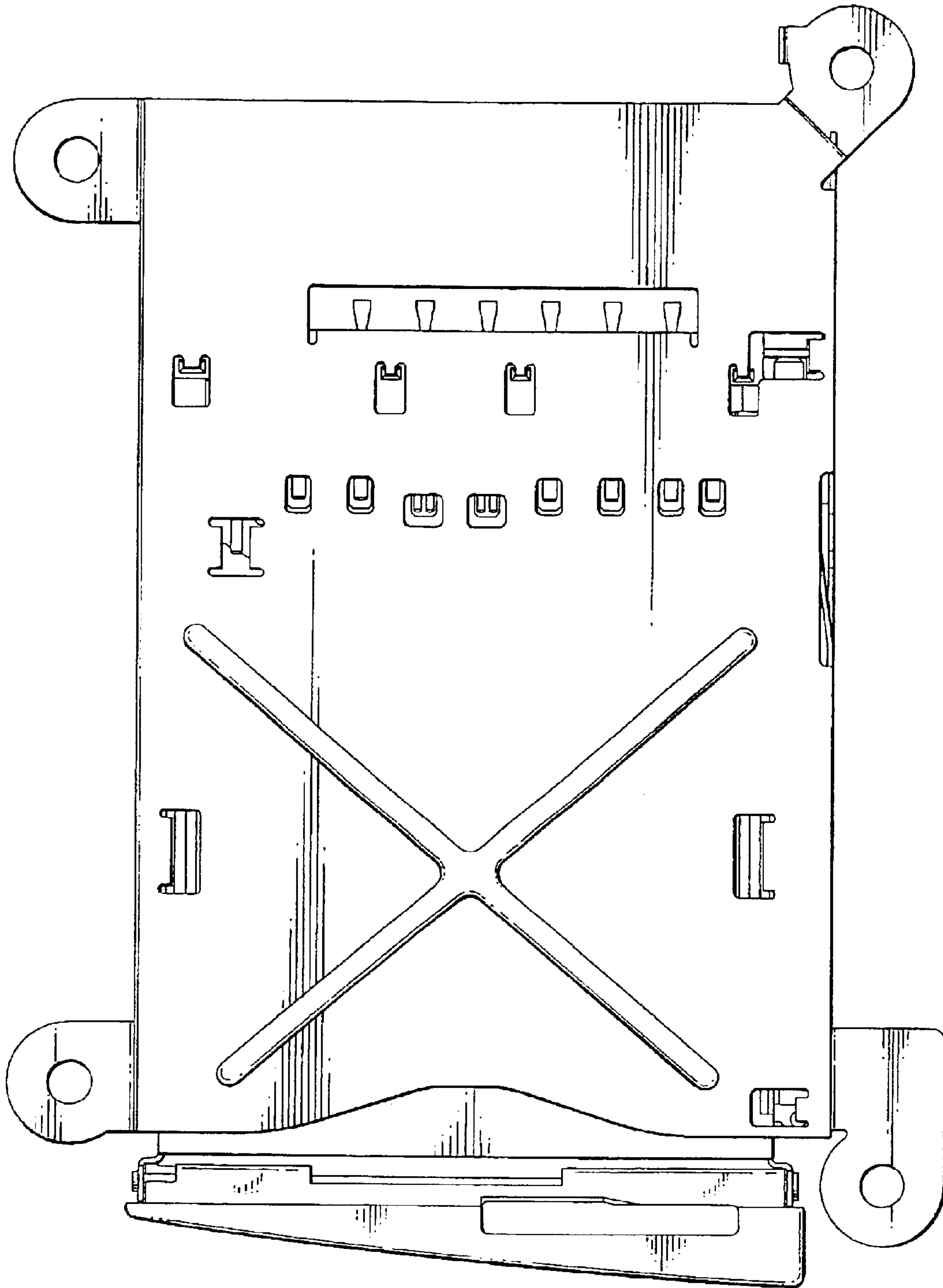


FIG. 4

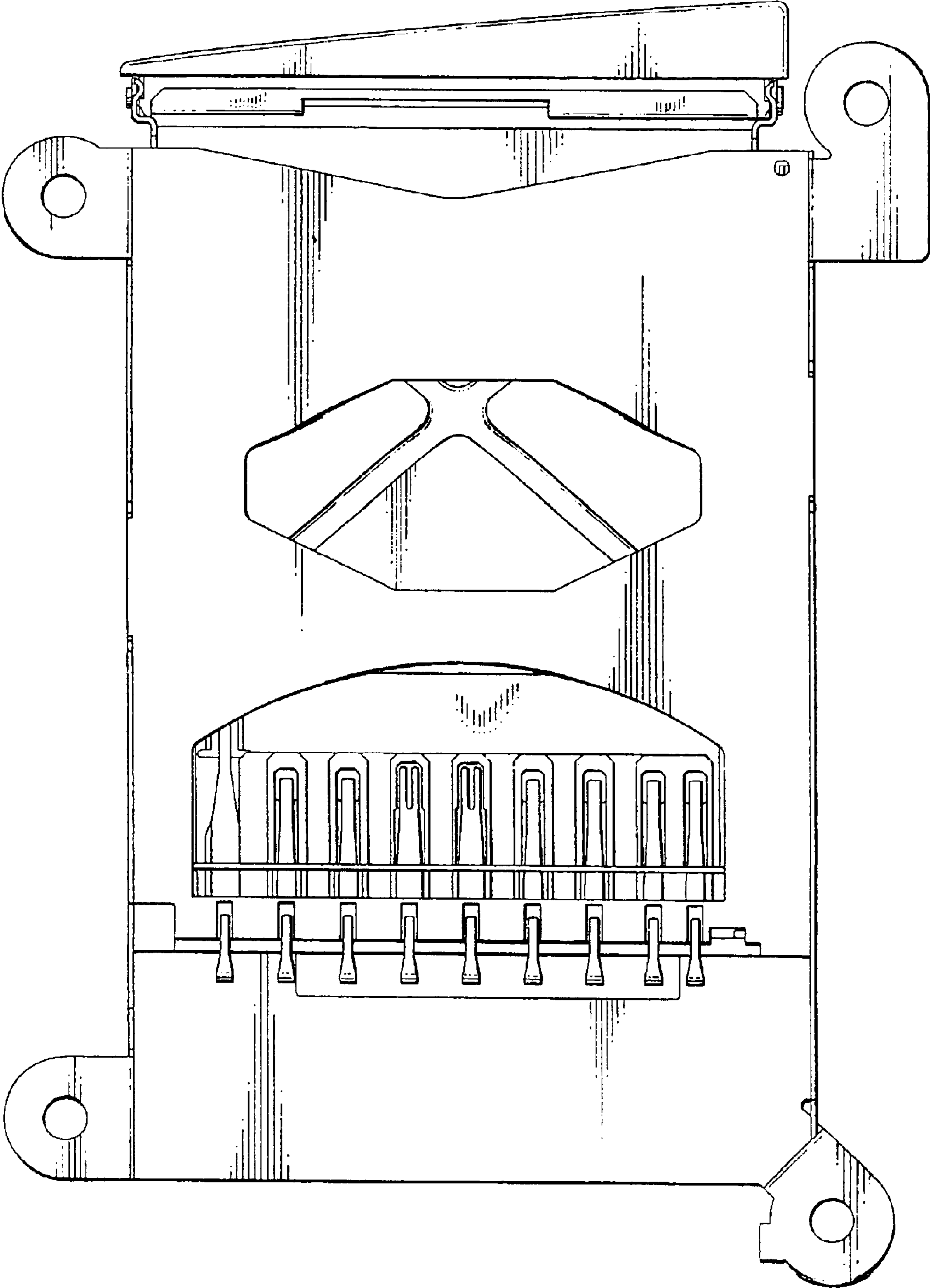


FIG. 5

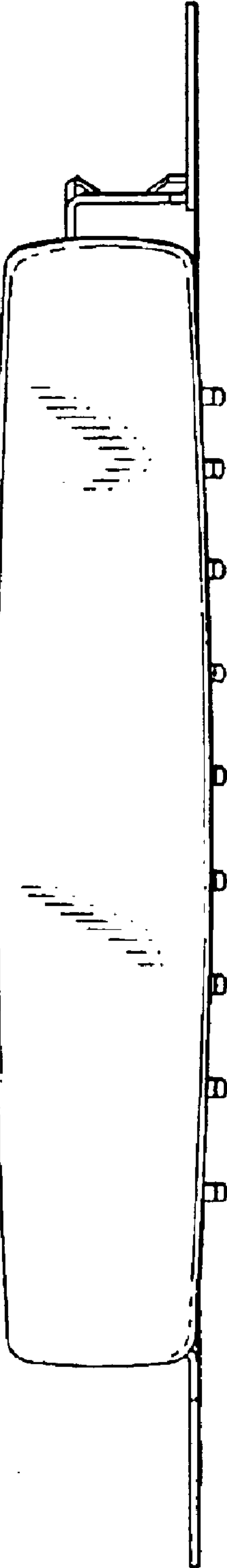


FIG. 6

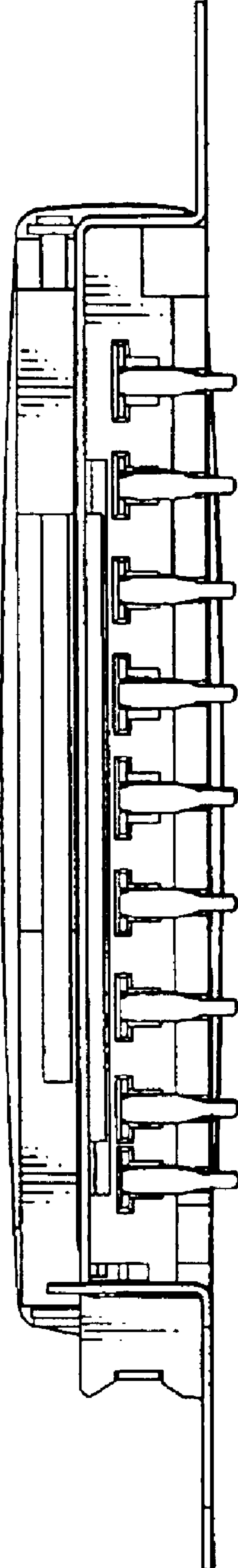


FIG. 7

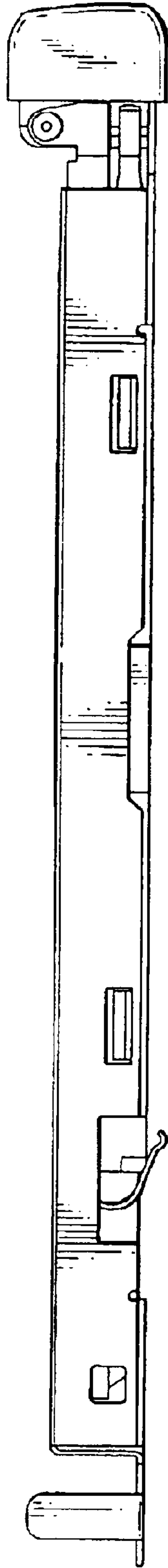


FIG. 8

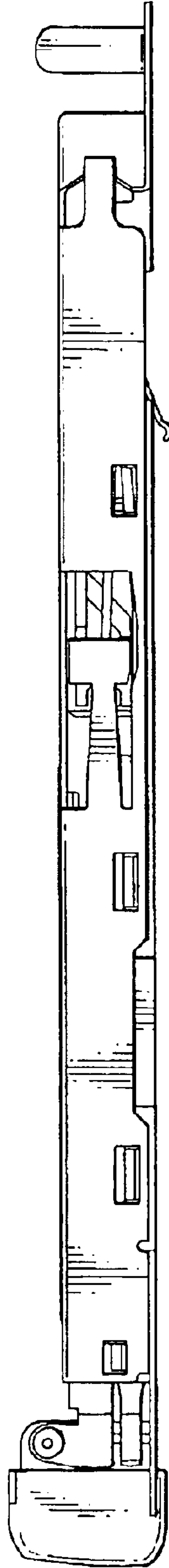


FIG. 9

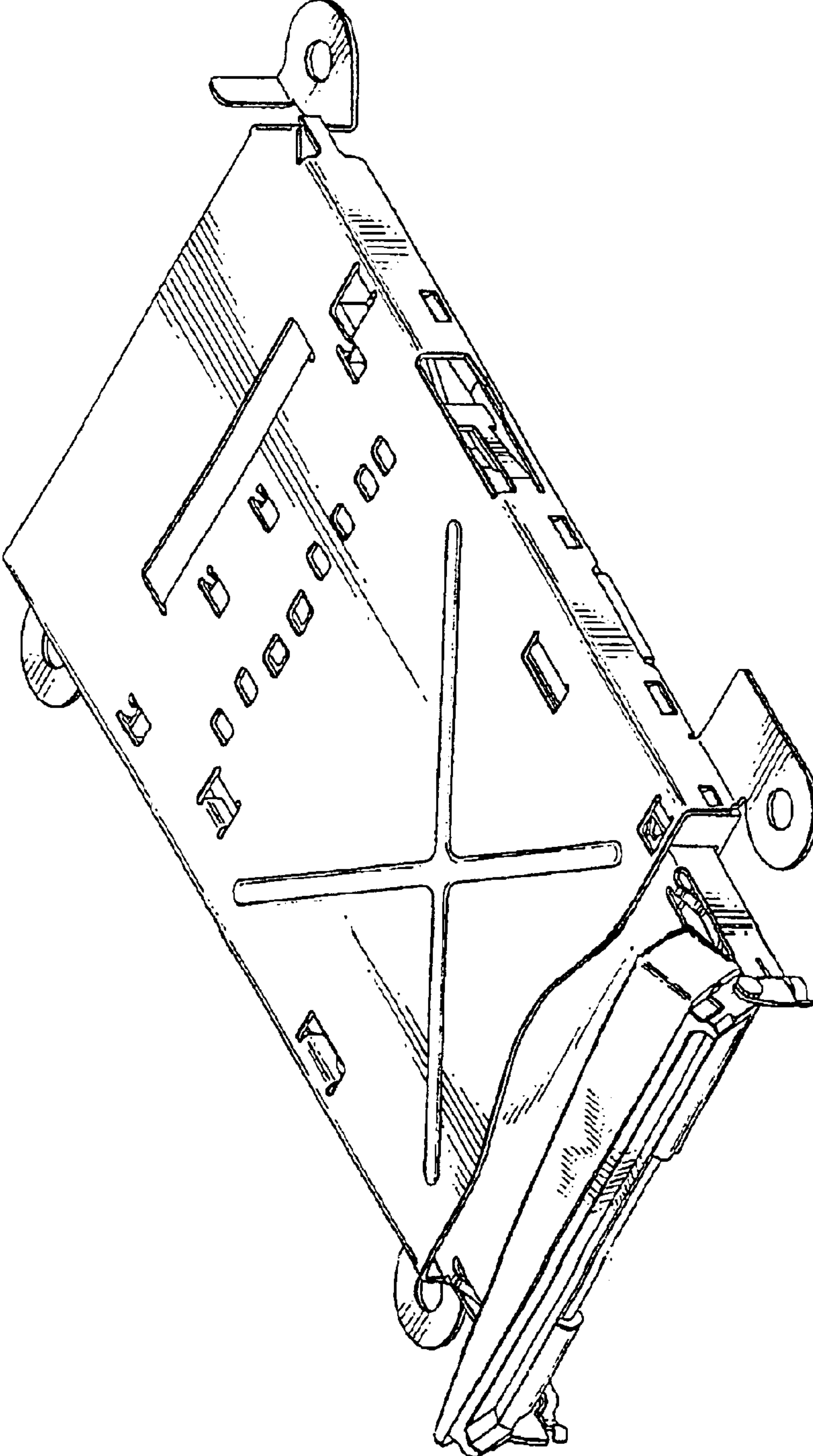


FIG. 10