

US00D506466S

(12) **United States Design Patent**
Hasegawa et al.

(10) **Patent No.:** **US D506,466 S**
(45) **Date of Patent:** **** Jun. 21, 2005**

(54) **COMPUTER DISPLAY**

(75) Inventors: **Kenichi Hasegawa**, Minato-ku (JP);
Naoto Fukasawa, Minato-ku (JP);
Kazushige Miyake, Minato-ku (JP)

(73) Assignee: **NEC - Mitsubishi Electric Visual Systems Corporation**, Tokyo (JP)

(**) Term: **14 Years**

(21) Appl. No.: **29/212,395**

(22) Filed: **Sep. 1, 2004**

Related U.S. Application Data

(62) Division of application No. 29/174,121, filed on Jan. 13, 2003, now Pat. No. Des. 498,756.

(30) **Foreign Application Priority Data**

Jul. 12, 2002	(JP)	2002-18852
Jul. 12, 2002	(JP)	2002-18853
Jul. 12, 2002	(JP)	2002-18854
Jul. 12, 2002	(JP)	2002-18855

(51) **LOC (8) Cl.** **14-02**

(52) **U.S. Cl.** **D14/375**

(58) **Field of Search** D14/371-375,
D14/125-129; 345/104, 156, 168, 173;
348/180, 184, 325, 739; 248/917-924;
341/12; 349/1, 2, 11, 62

(56) **References Cited**

U.S. PATENT DOCUMENTS

D431,566 S * 10/2000 Chuo et al. D14/375

D432,101 S * 10/2000 Oba D14/126
D498,756 S * 11/2004 Hasegawa et al. D14/375

* cited by examiner

Primary Examiner—Freda S. Nunn

(74) *Attorney, Agent, or Firm*—Sughrue Mion, PLLC

(57) **CLAIM**

The ornamental design for a computer display, as shown and described.

DESCRIPTION

FIG. 1 is a top plan view of a computer display showing our new design;

FIG. 2 is a front elevational view thereof;

FIG. 3 is a bottom plan view thereof;

FIG. 4 is a rear elevational view thereof;

FIG. 5 is a left side elevational view thereof;

FIG. 6 is a right side elevational view thereof;

FIG. 7 is a cross-sectional view taken along the line 7—7 as shown in FIG. 2 thereof, which omits internal structure;

FIG. 8 is a front elevational view with the stand extended vertically;

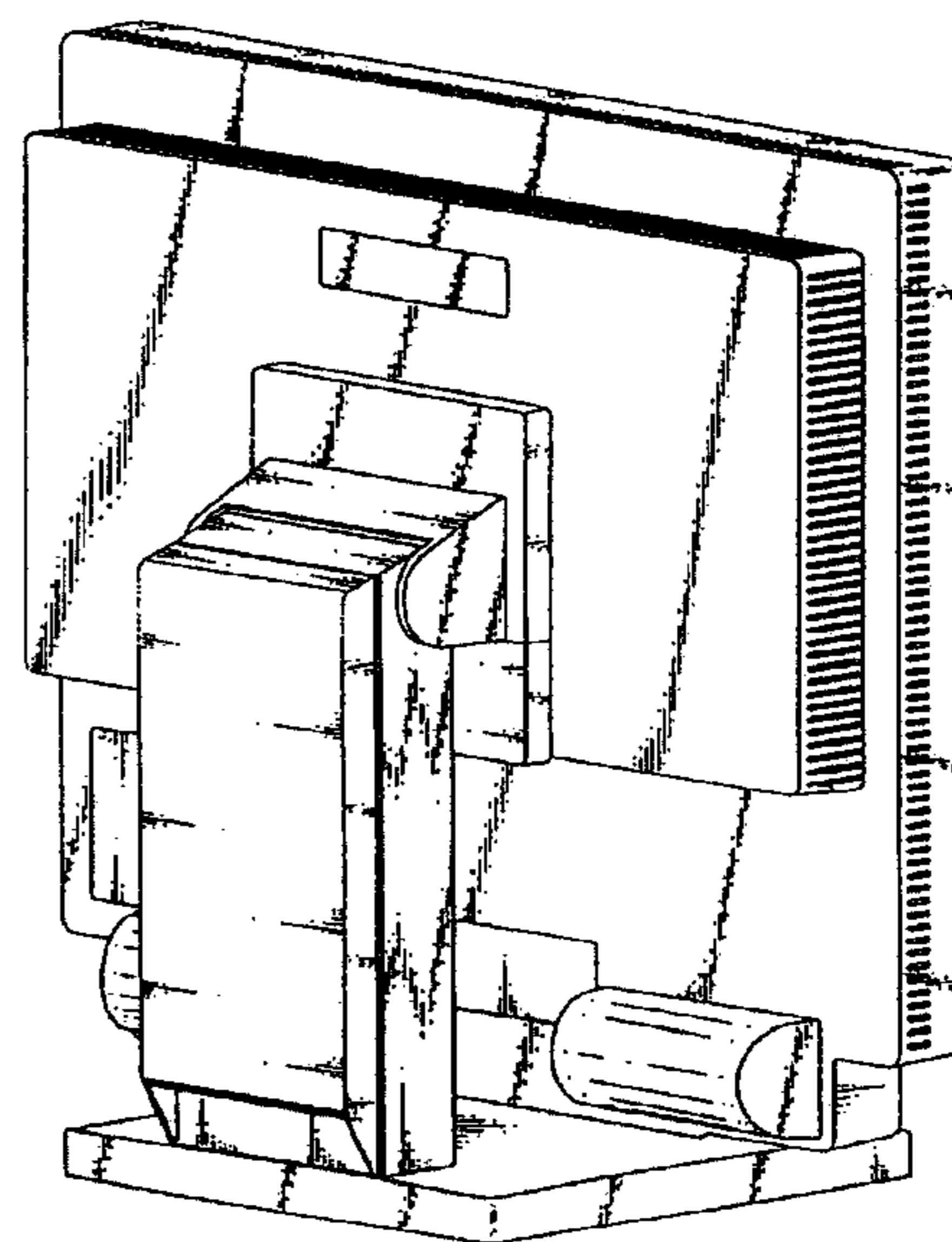
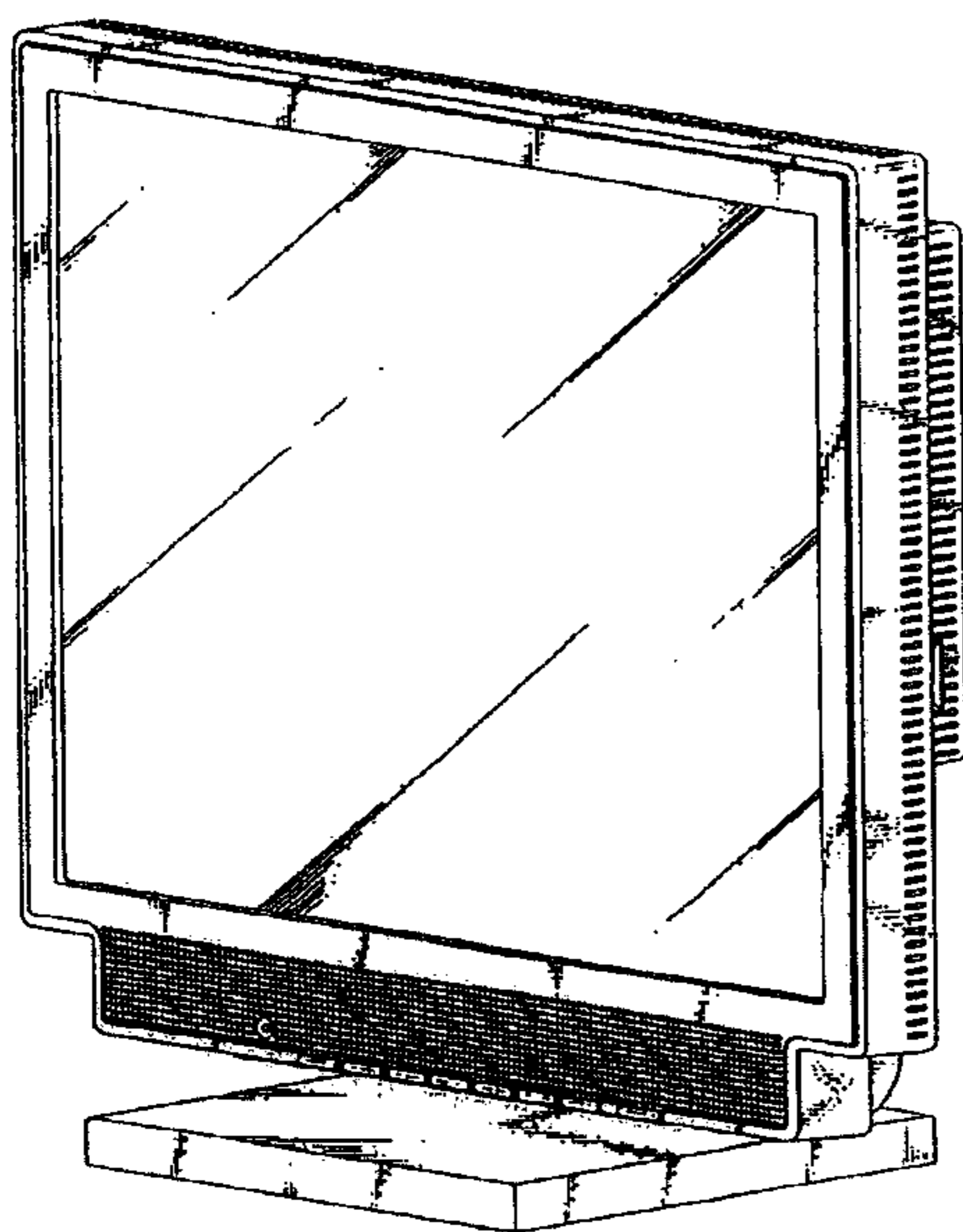
FIG. 9 is a right side elevational view with the stand extended vertically;

FIG. 10 is a cross-sectional view taken along the line 10—10 as shown in FIG. 8 with the stand extended vertically and omitting the internal structure;

FIG. 11 is a perspective view of the top, front and right side thereof; and,

FIG. 12 is a perspective view of the top, rear and left side thereof with the cable cover attached.

1 Claim, 12 Drawing Sheets



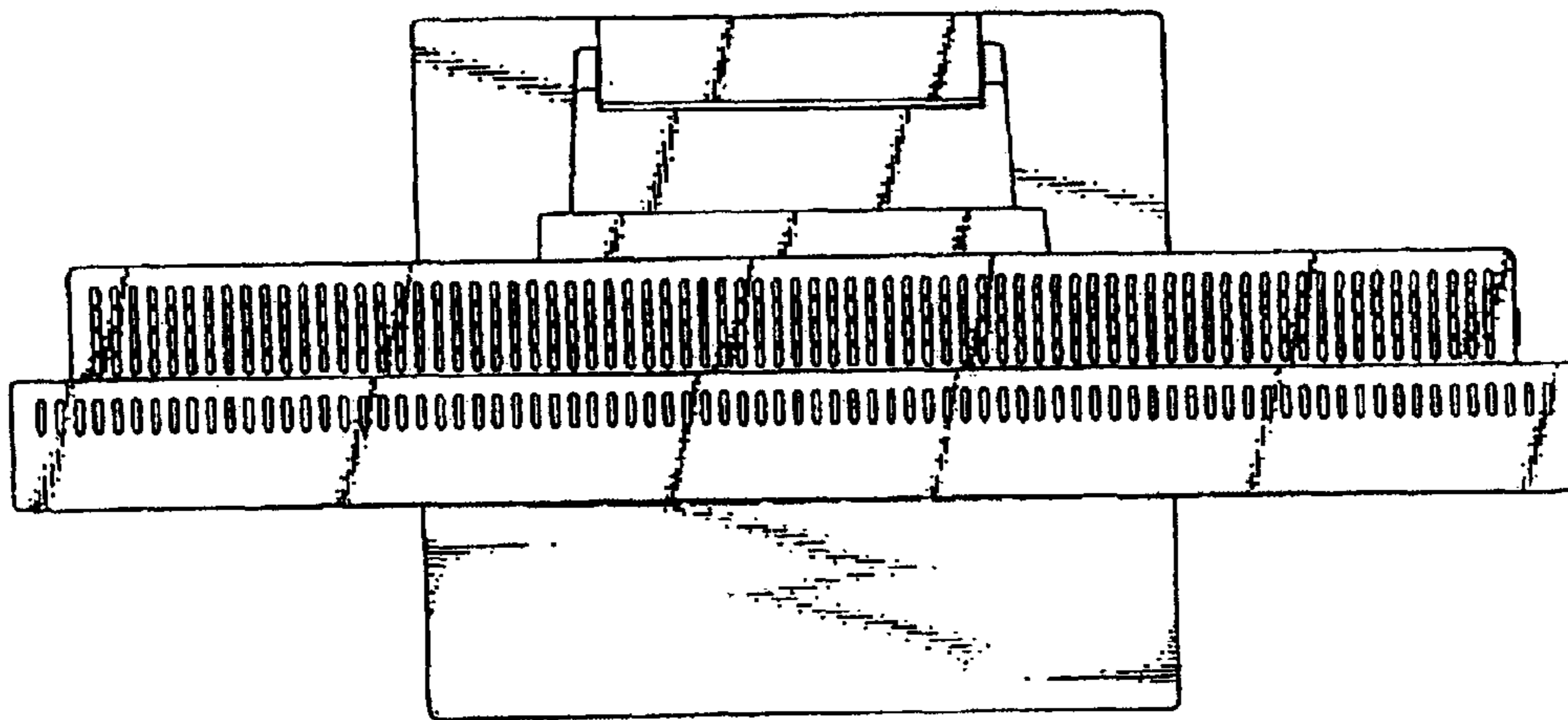


Fig. 1

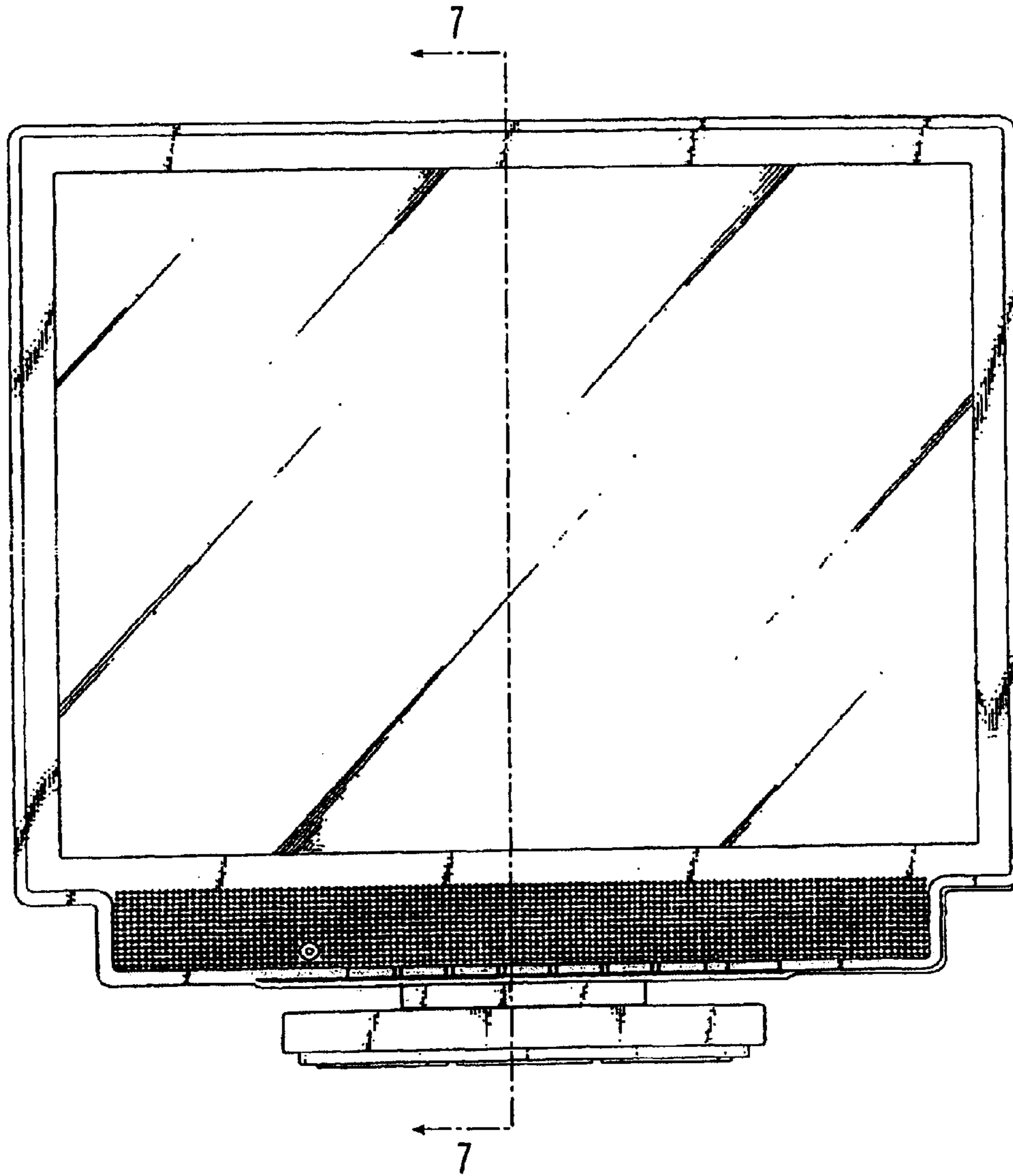


Fig. 2

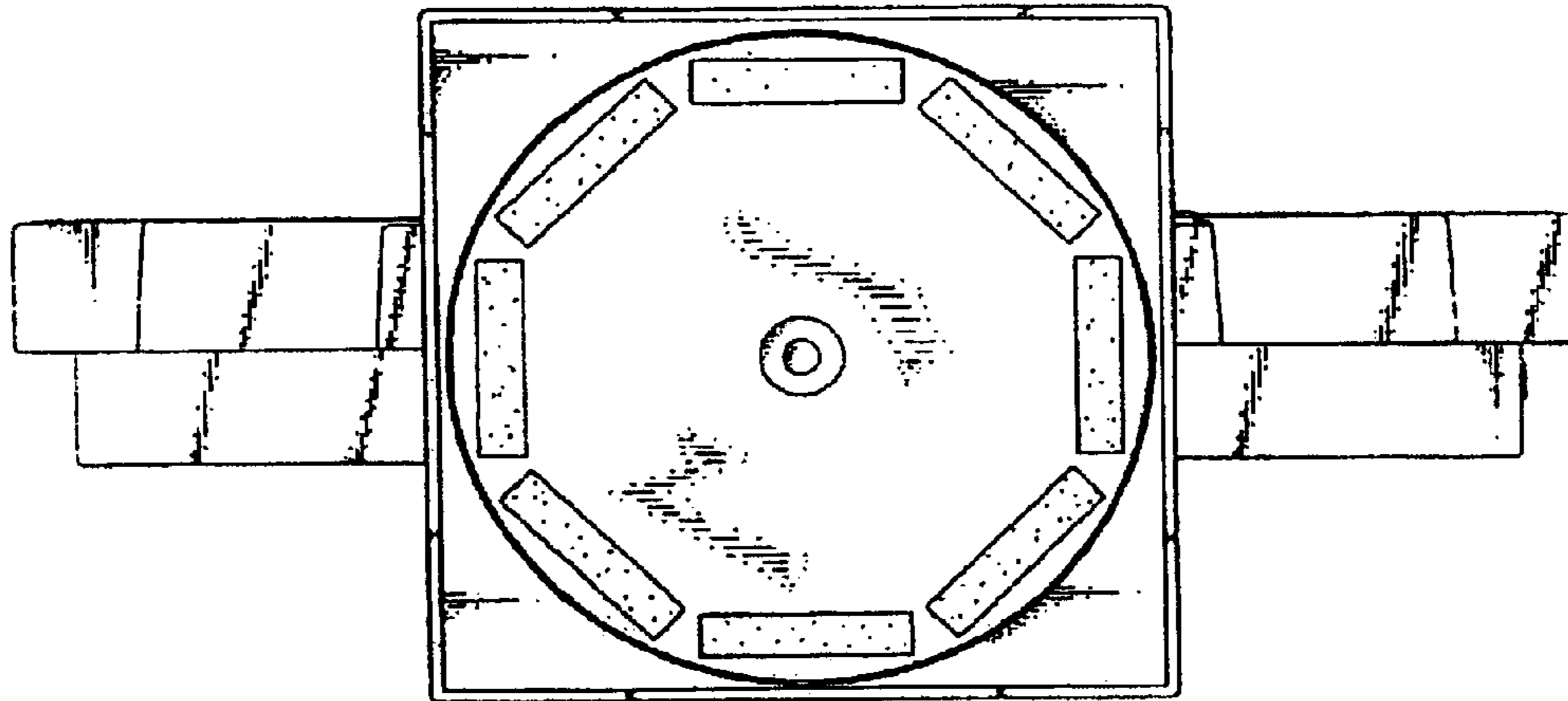


Fig. 3

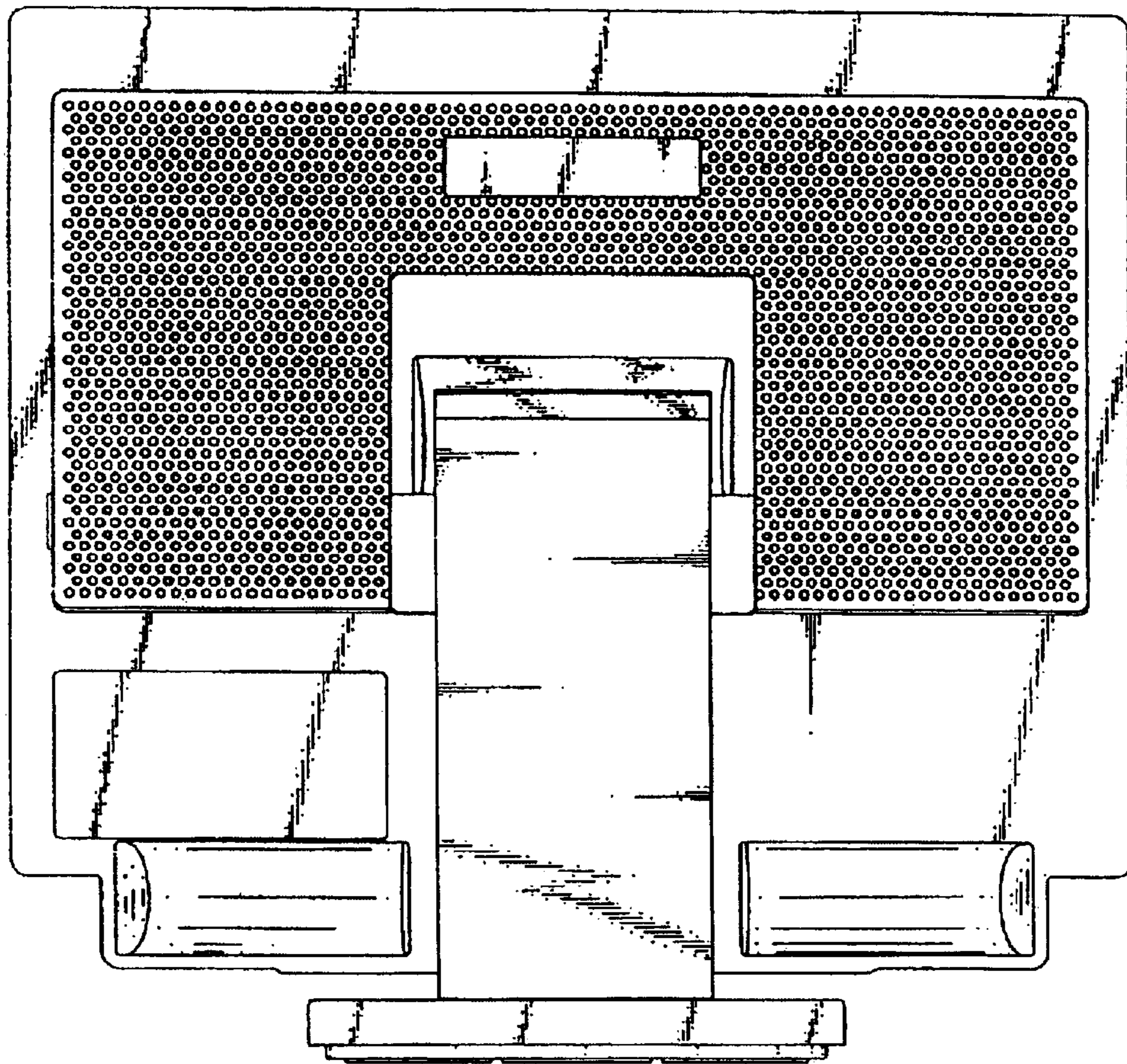


Fig. 4

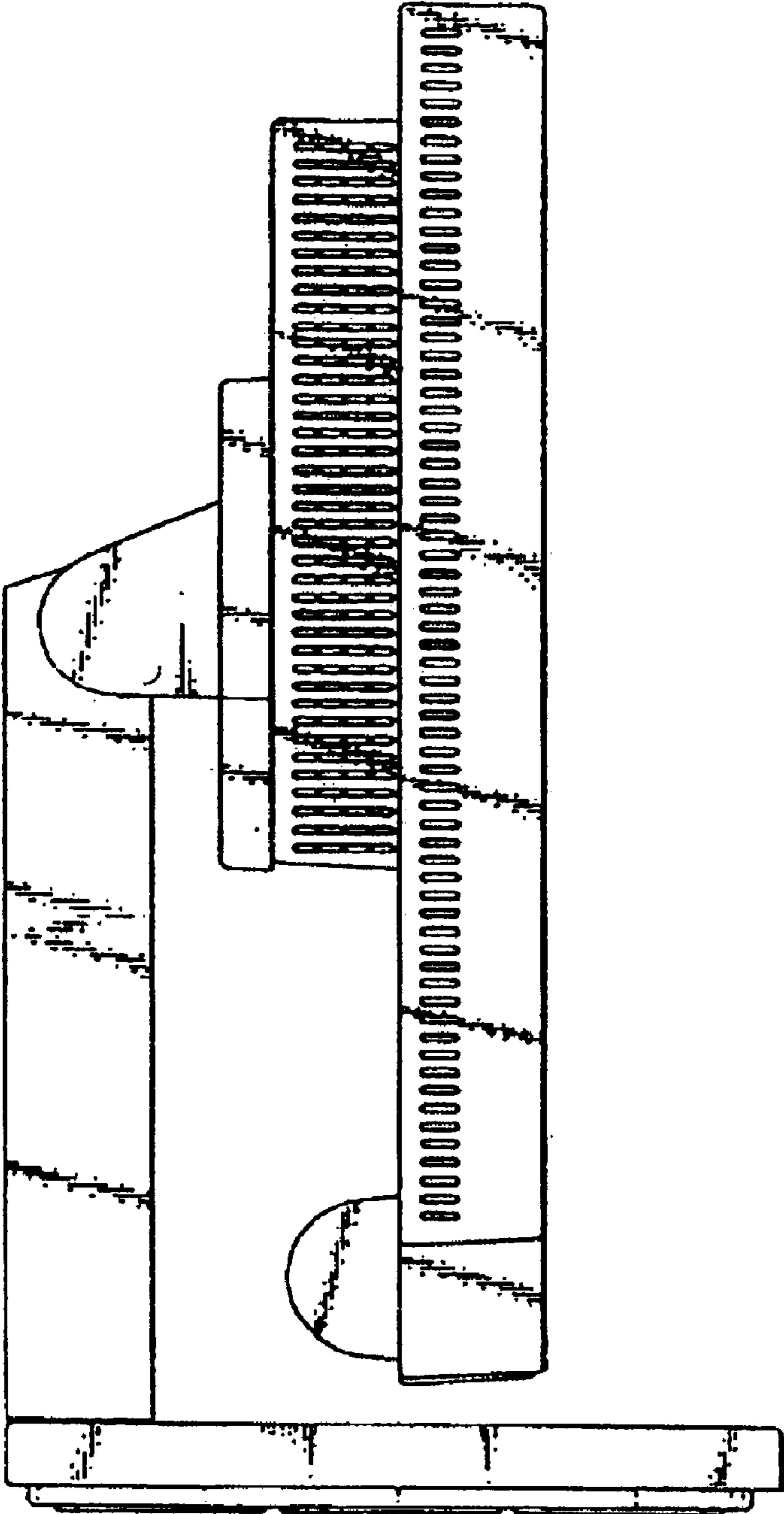


Fig. 5

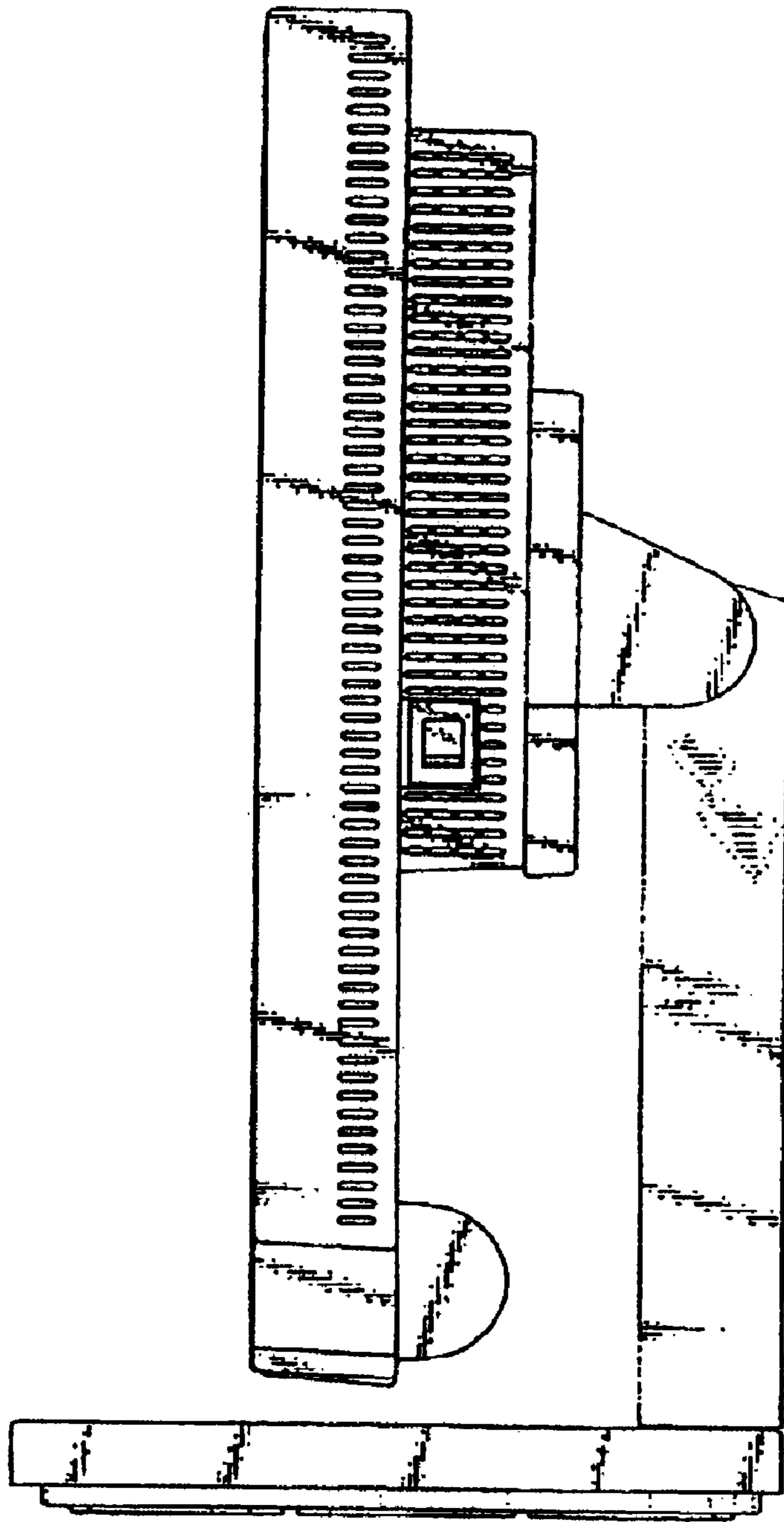


Fig. 6

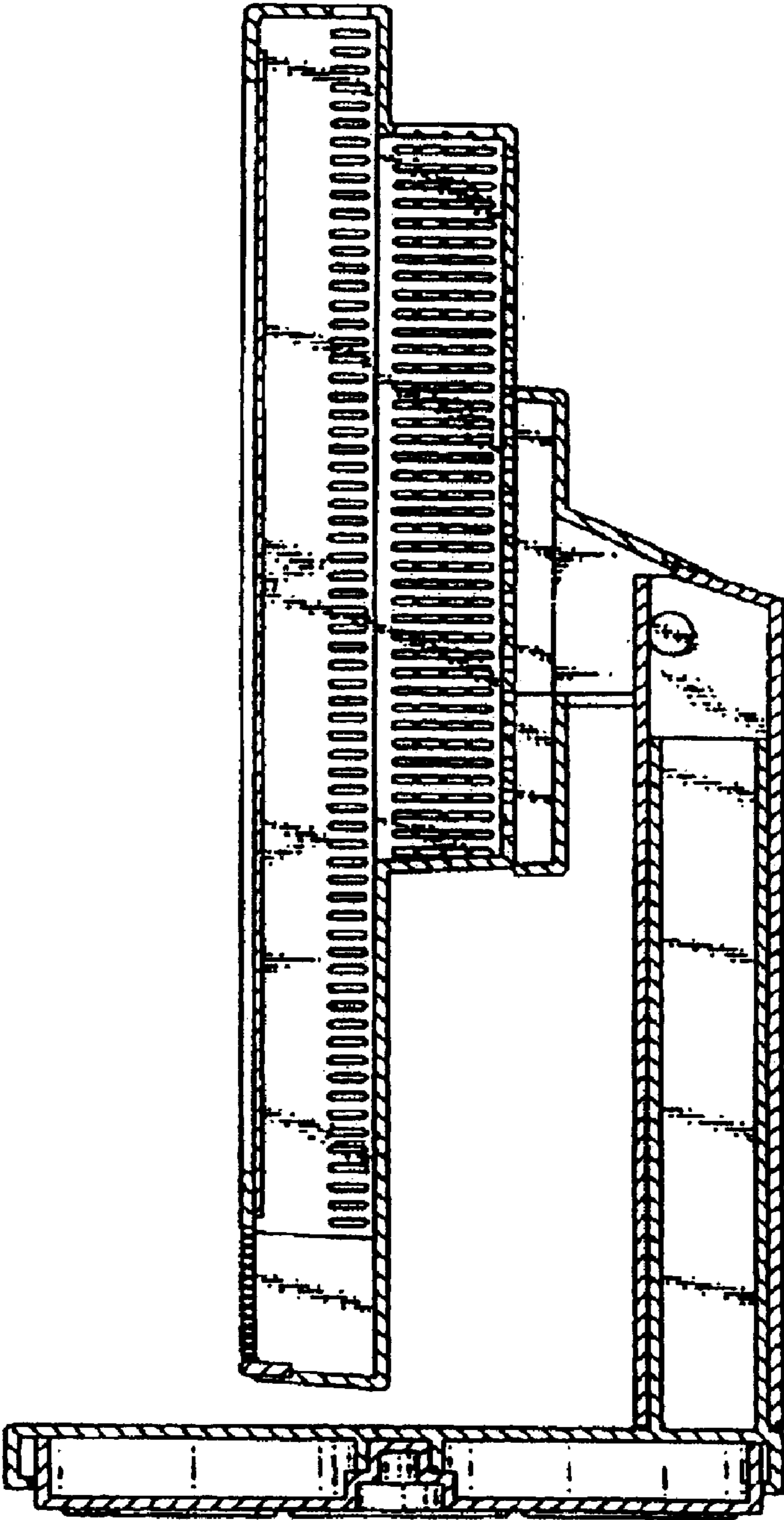


Fig. 7

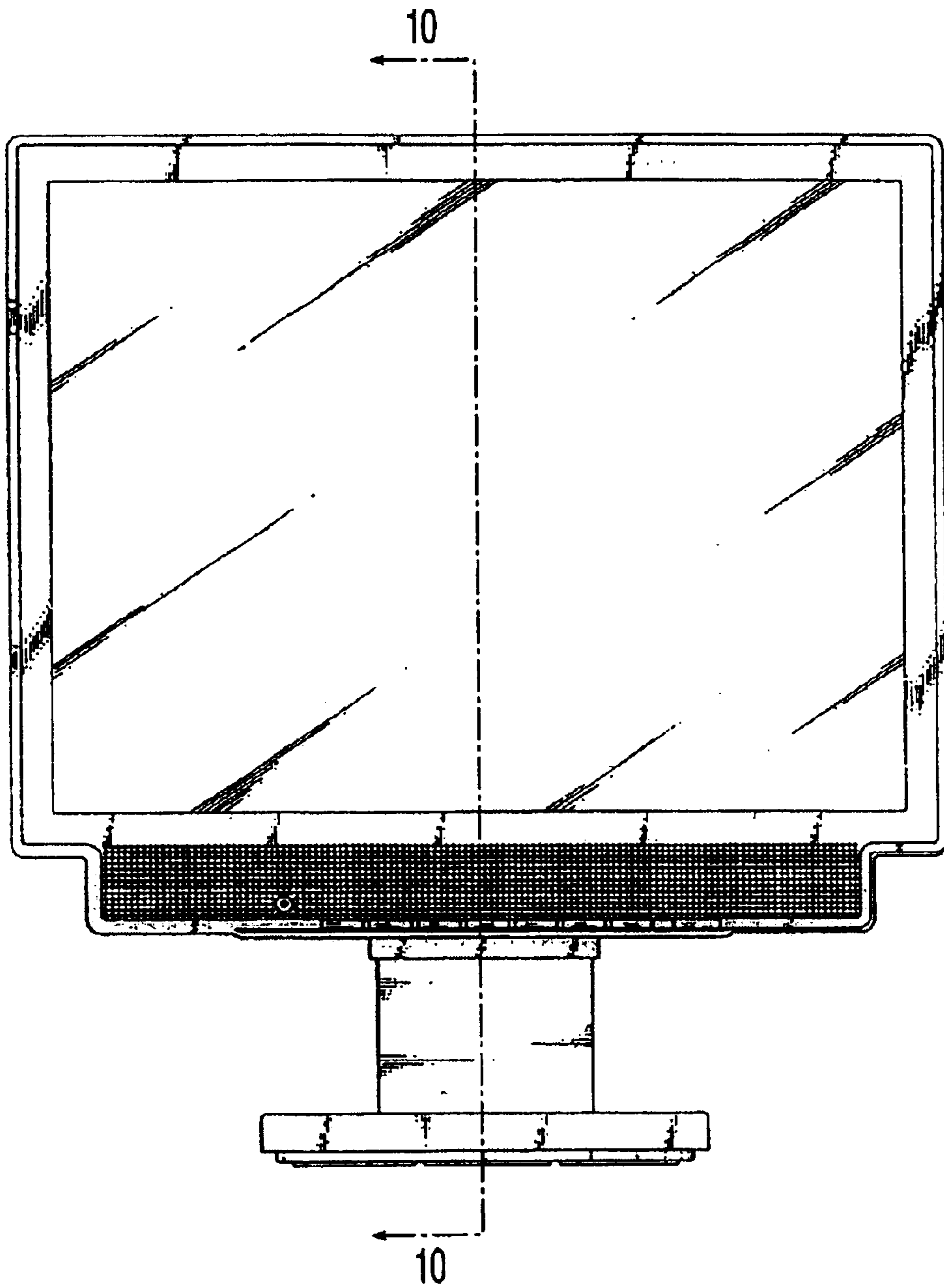


Fig. 8

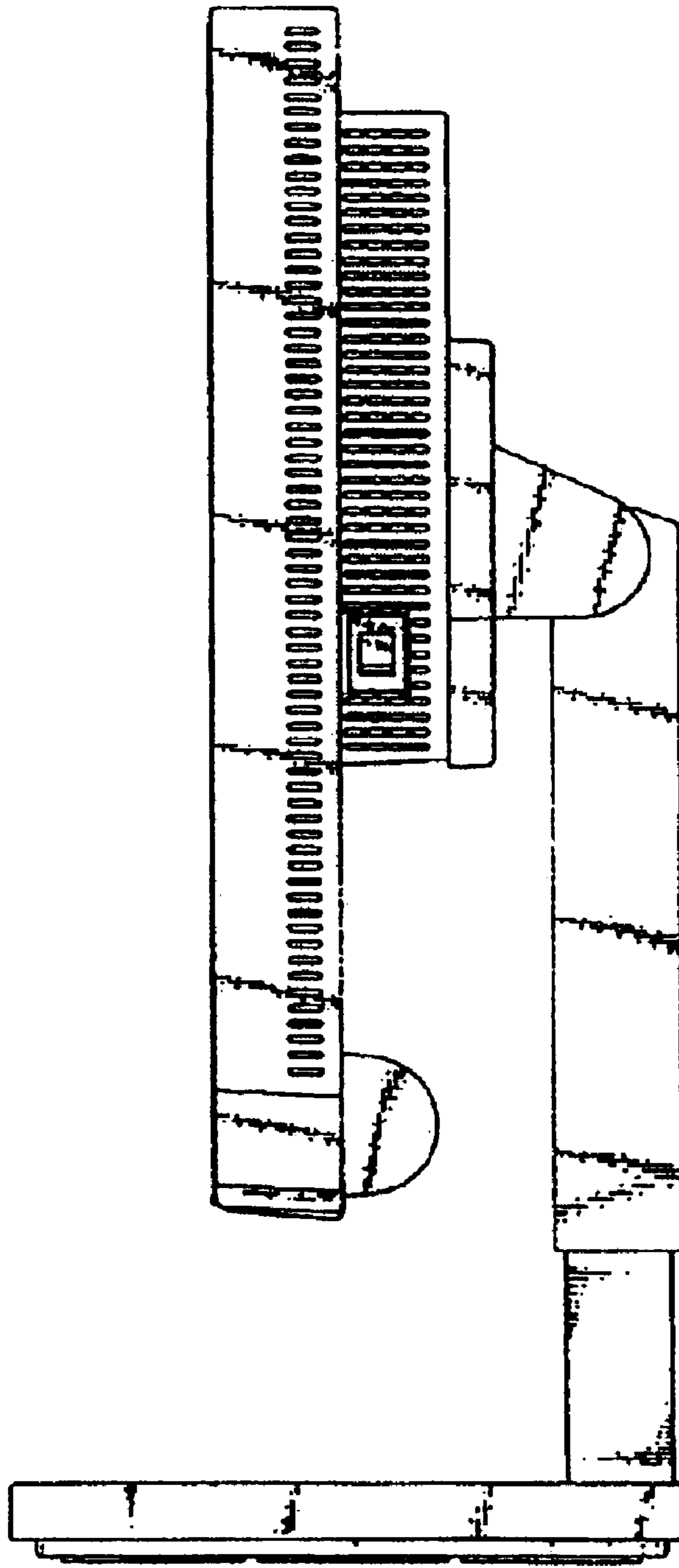


Fig. 9

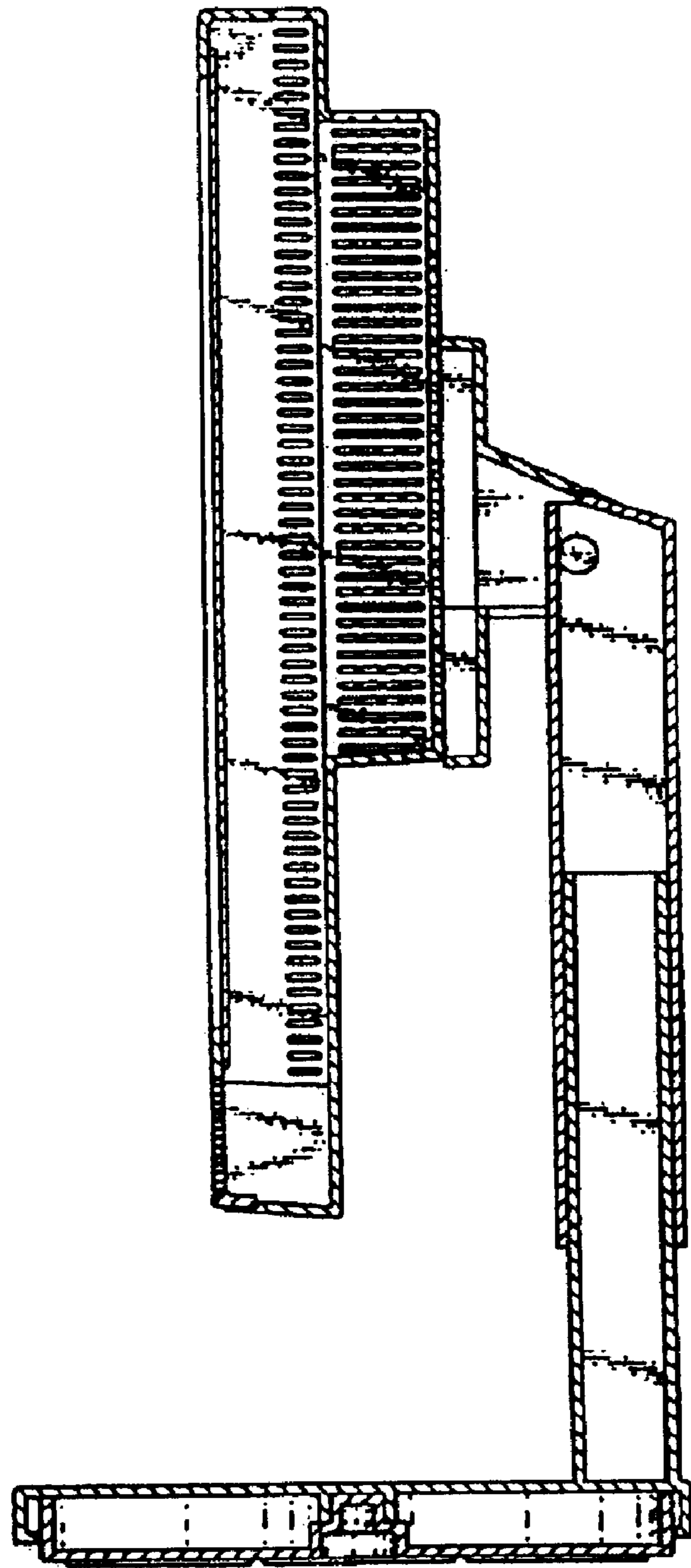


Fig. 10

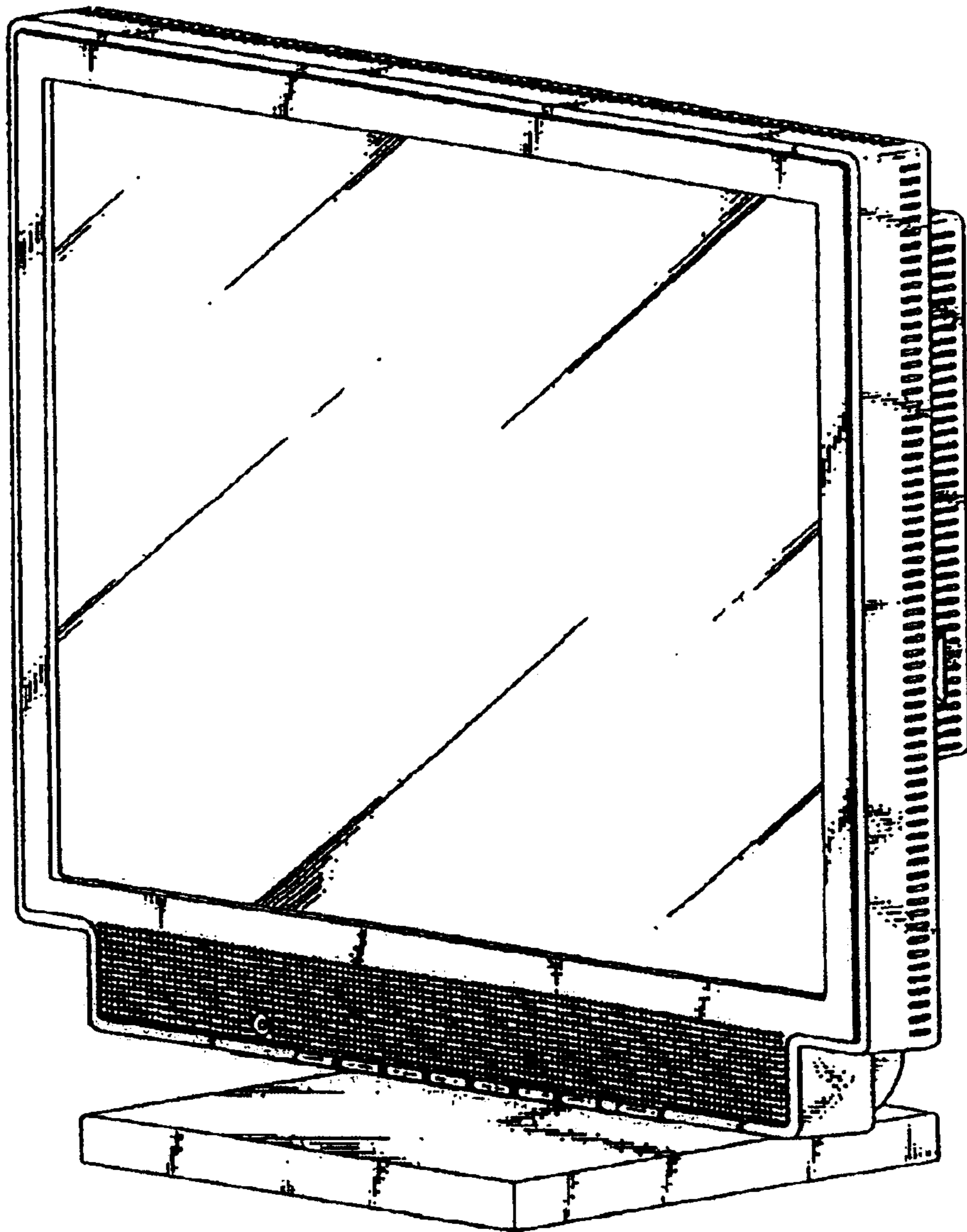


Fig. 11

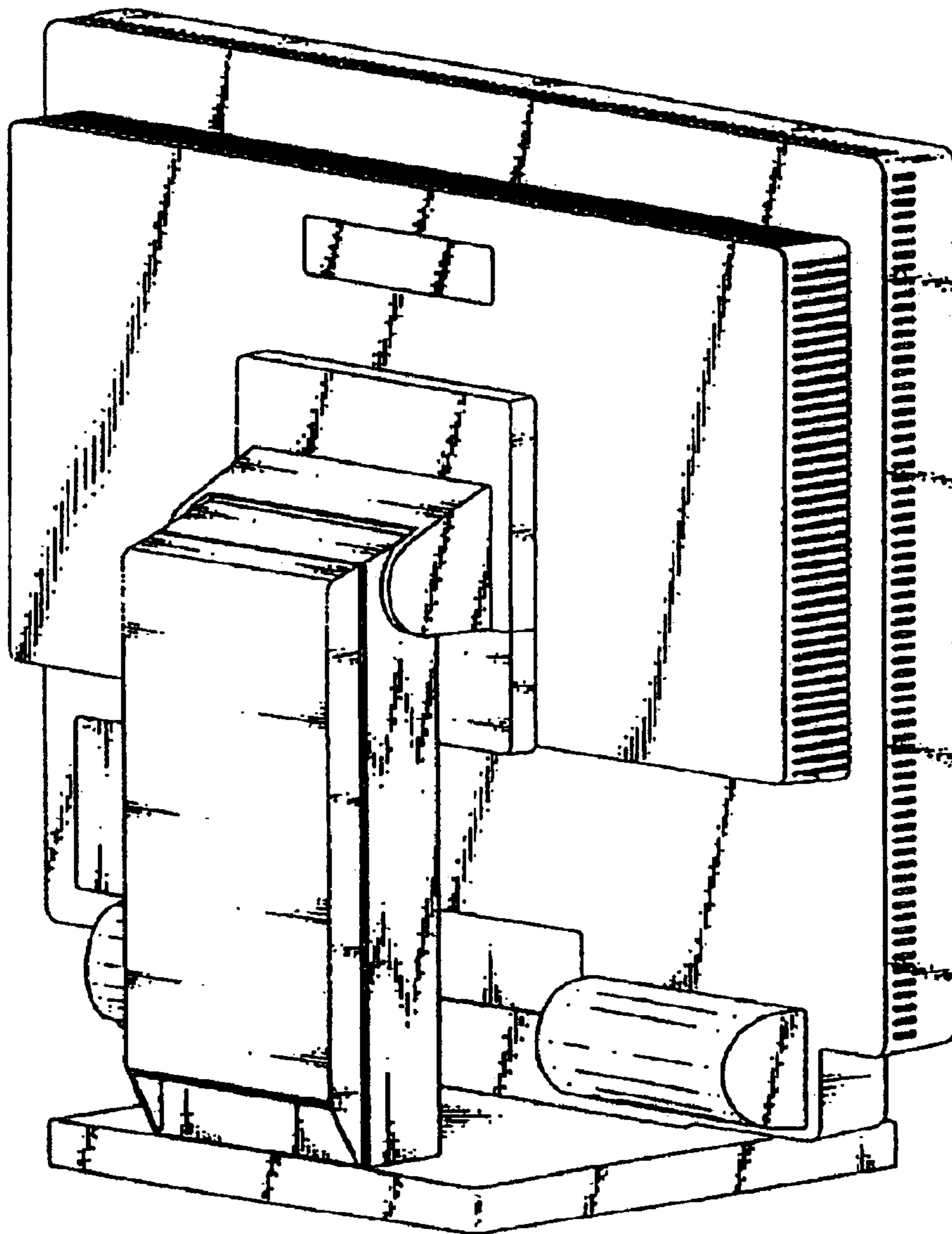


Fig. 12