

US00D506458S

(12) **United States Design Patent**  
**Obata et al.**

(10) **Patent No.: US D506,458 S**  
(45) **Date of Patent: \*\* Jun. 21, 2005**

(54) **COMBINED DISC PLAYER, RADIO RECEIVER AND TAPE RECORDER**

(75) Inventors: **Shinichi Obata**, Tokyo (JP); **Satoshi Suzuki**, Tokyo (JP)

(73) Assignee: **Sony Corporation**, Tokyo (JP)

(\*\*) Term: **14 Years**

(21) Appl. No.: **29/200,688**

(22) Filed: **Mar. 4, 2004**

(51) **LOC (8) Cl.** ..... **14-01**

(52) **U.S. Cl.** ..... **D14/168**

(58) **Field of Search** ..... D14/135-136,  
D14/160-168, 188, 197-198, 156-157,  
217; 455/100, 344, 346-351, 157.1, 350;  
369/75.1, 75.2, 77.2

(56) **References Cited**

**U.S. PATENT DOCUMENTS**

D310,835 S	*	9/1990	Grimes	.....	D14/163
D410,649 S		6/1999	Kobayashi		
D410,651 S		6/1999	Suzuki		
D442,160 S		5/2001	Tsuchiya		
D469,077 S	*	1/2003	Jerome	.....	D14/168
D475,361 S	*	6/2003	Yoneda et al.	.....	D14/168
D482,015 S	*	11/2003	Ng	.....	D14/168
D486,468 S		2/2004	Suzuki		

**OTHER PUBLICATIONS**

Web page "Radiograbador FM/AM con CD, CFD-G55"  
<http://www.sony.com.pa/corporate?page=productsDetalles&model=CFD-G55> 2 sheets, Sony (Sep. 2003).

Web page "Radiograbador FM/AM con CD, CFD-G35"  
<http://www.sony.com.pa/corporate?page=productsDetalles&model=CFD-G35&top=1039> 2 sheets, Sony (Sep. 2003).

\* cited by examiner

*Primary Examiner*—Nanda Bondade

(74) *Attorney, Agent, or Firm*—Rader, Fishman & Grauer PLLC

(57) **CLAIM**

The ornamental design for a combined disc player, radio receiver and tape recorder, as shown and described.

**DESCRIPTION**

FIG. 1 is a perspective view of a combined disc player, radio receiver and tape recorder showing our new design;

FIG. 2 is a front elevational view thereof;

FIG. 3 is a left side elevational view thereof;

FIG. 4 is a right side elevational view thereof;

FIG. 5 is a top plan view thereof; and,

FIG. 6 is a bottom plan view thereof.

Portions of FIGS. 1-6 that are shown as broken lines are for illustrative purpose only and form no part of the claimed design.

**1 Claim, 4 Drawing Sheets**

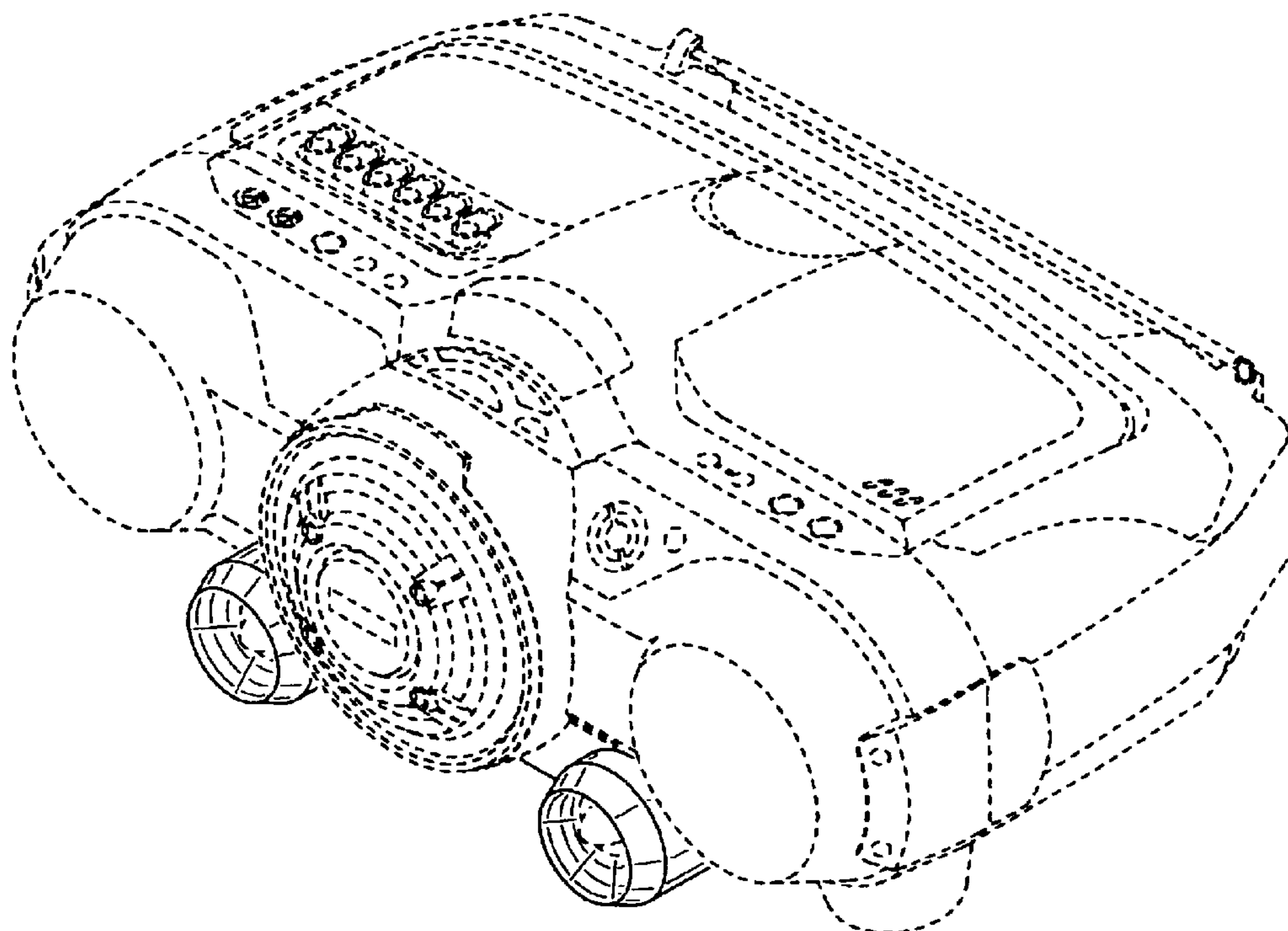


Fig. 1

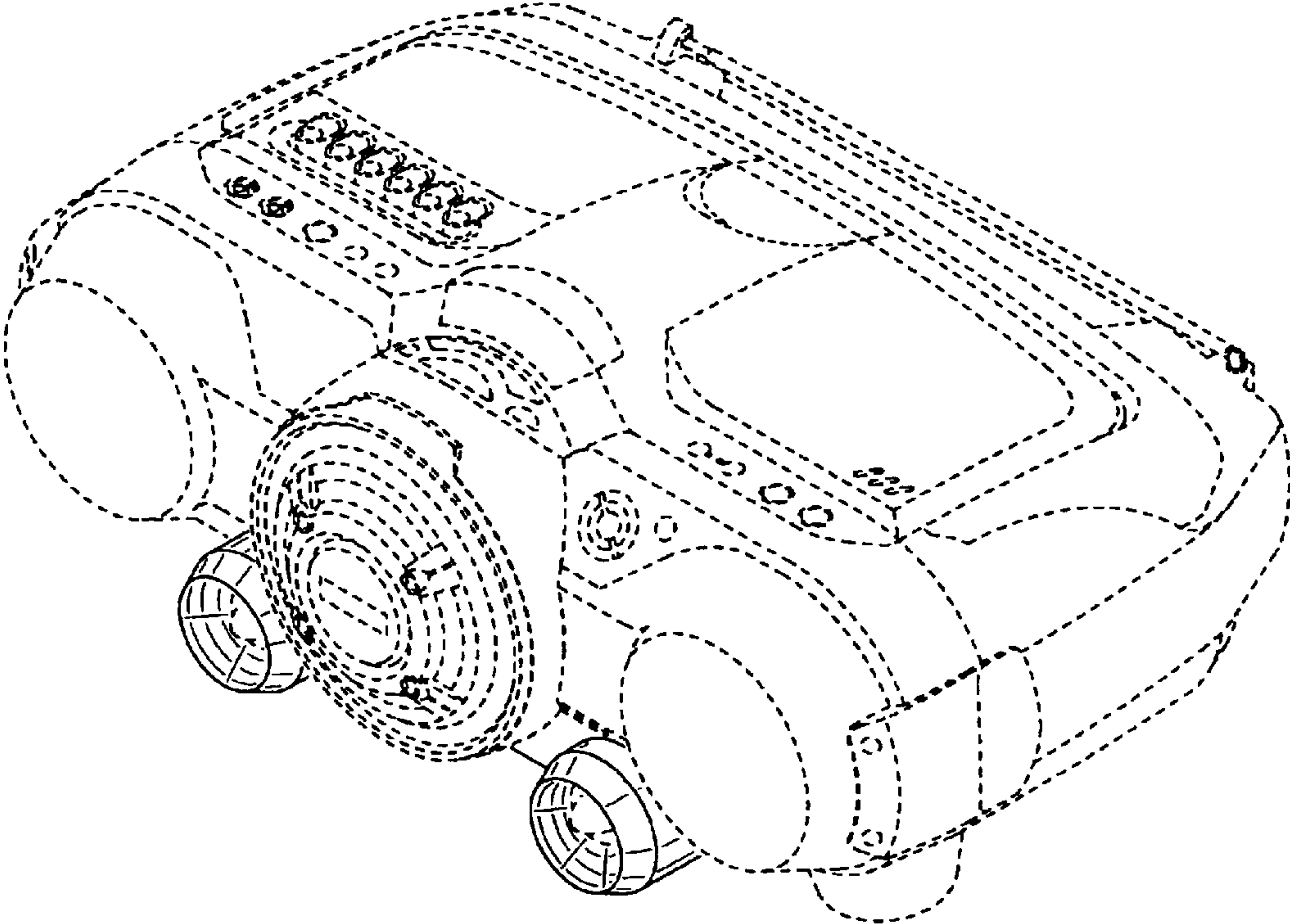


Fig.2

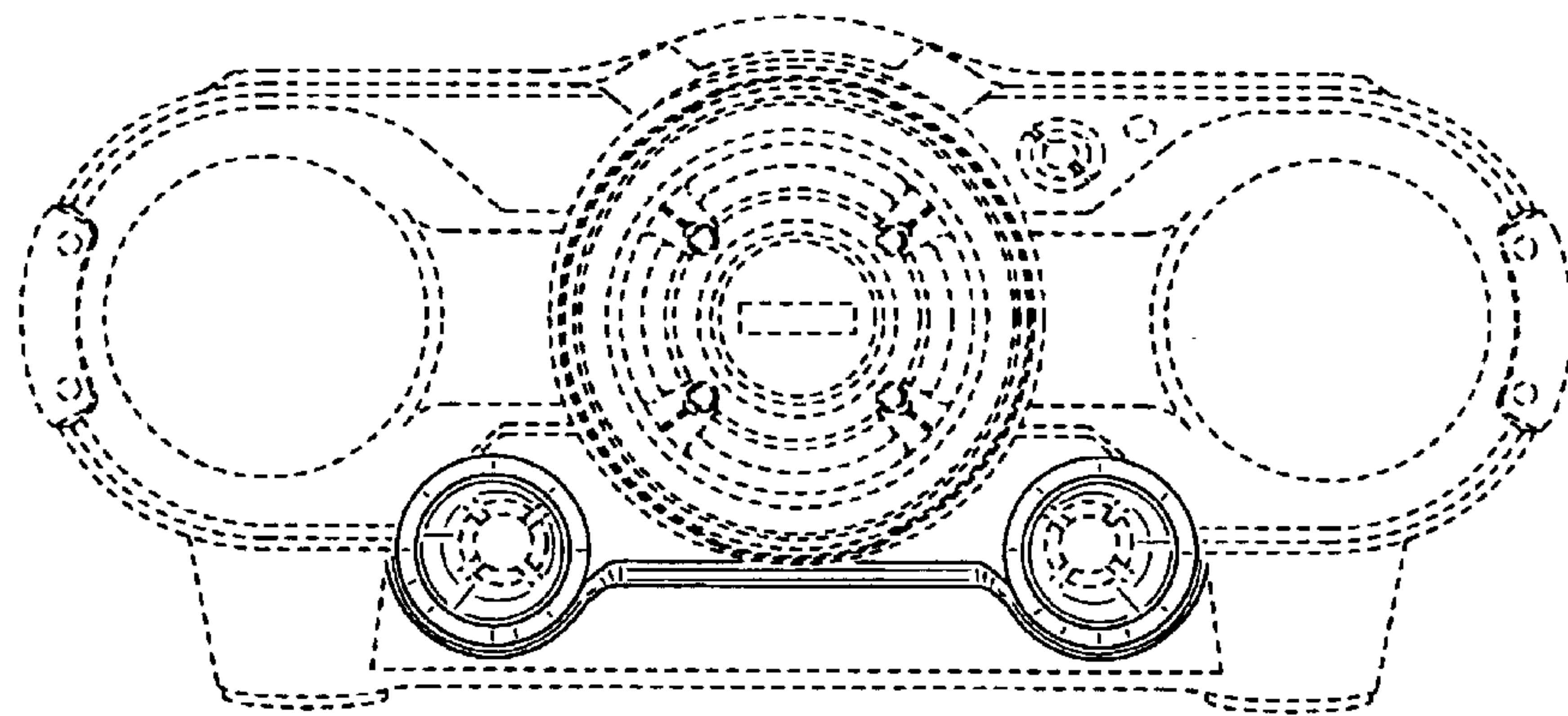


Fig.3

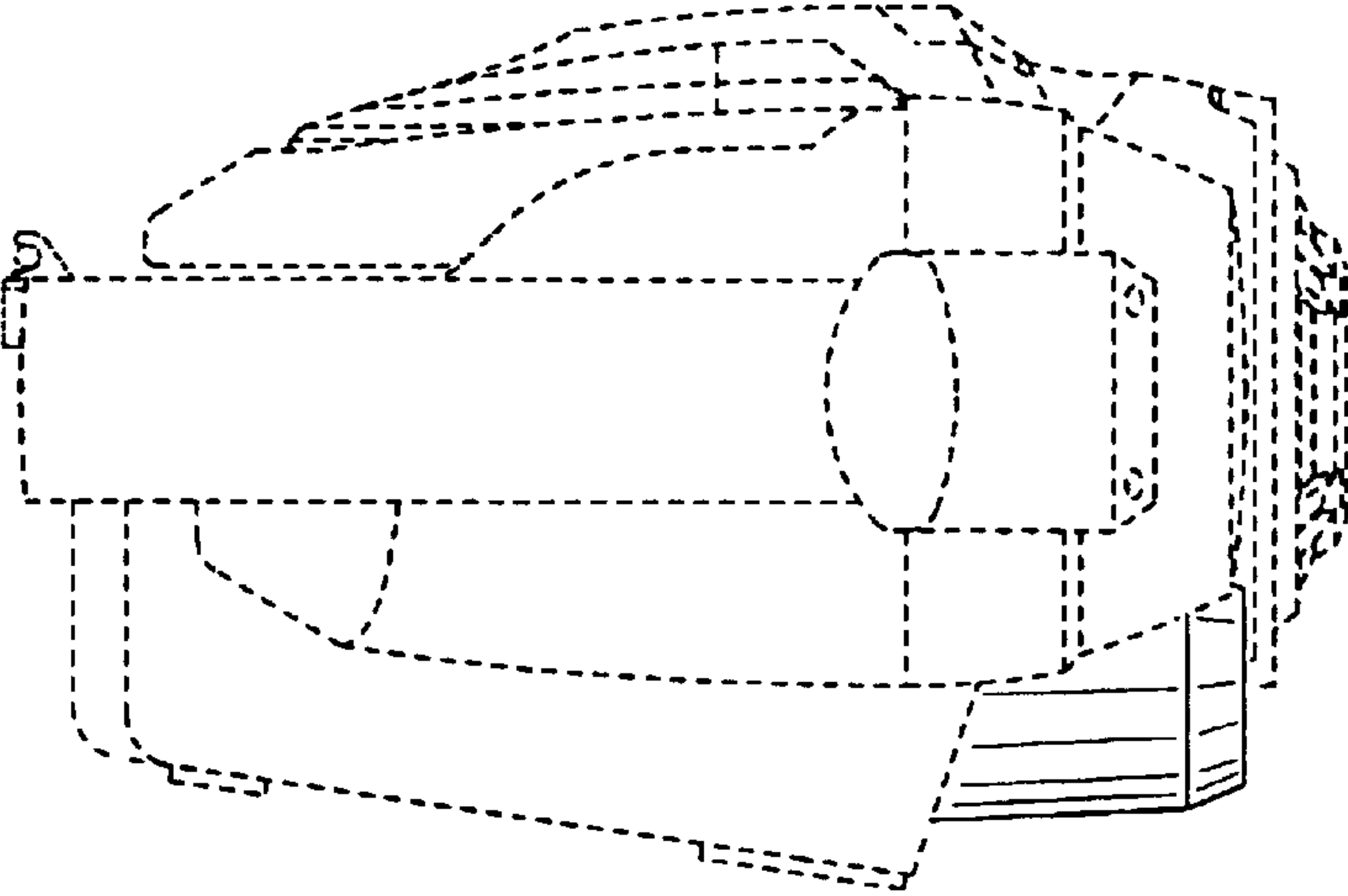


Fig.4

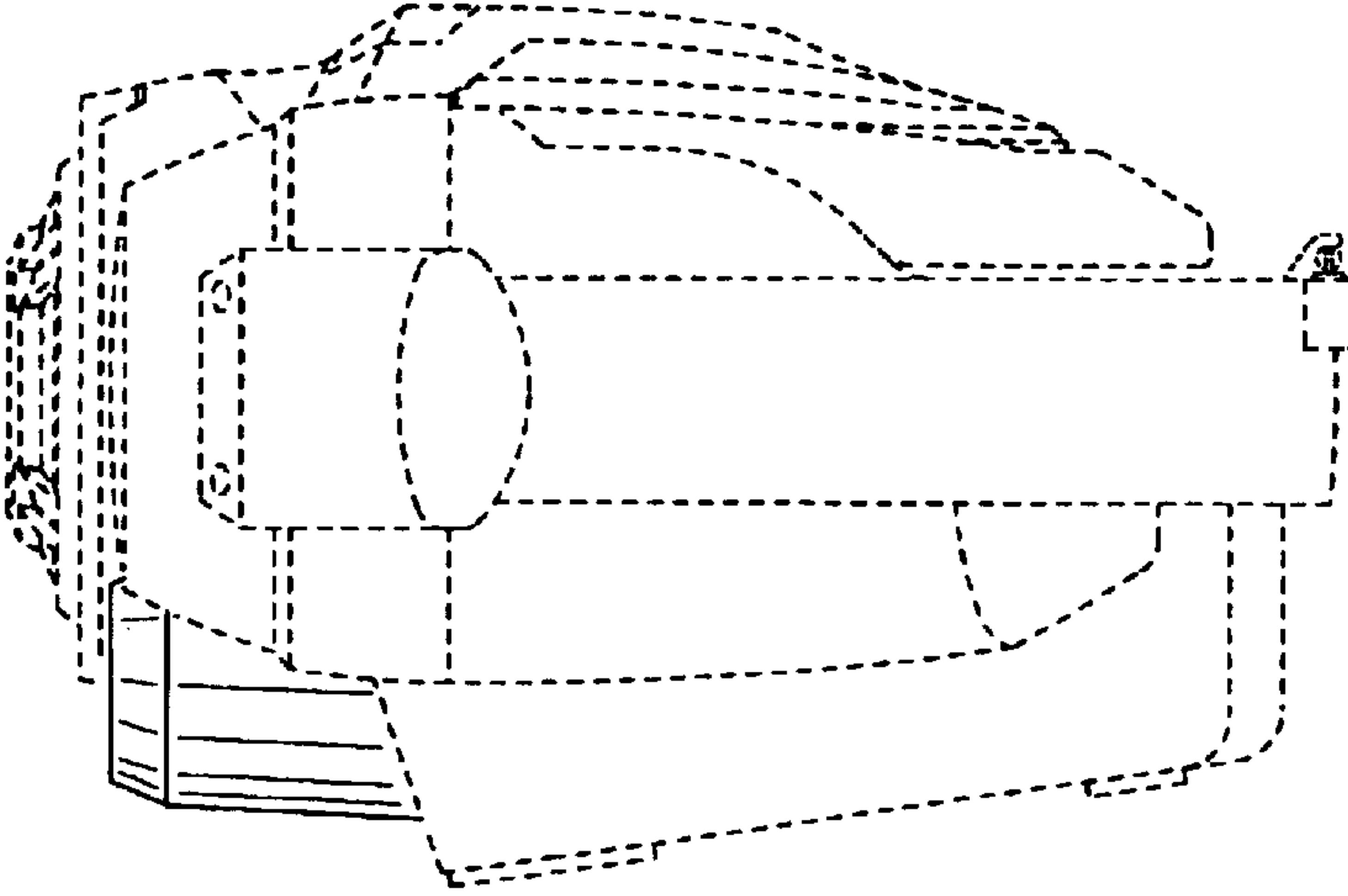


Fig.5

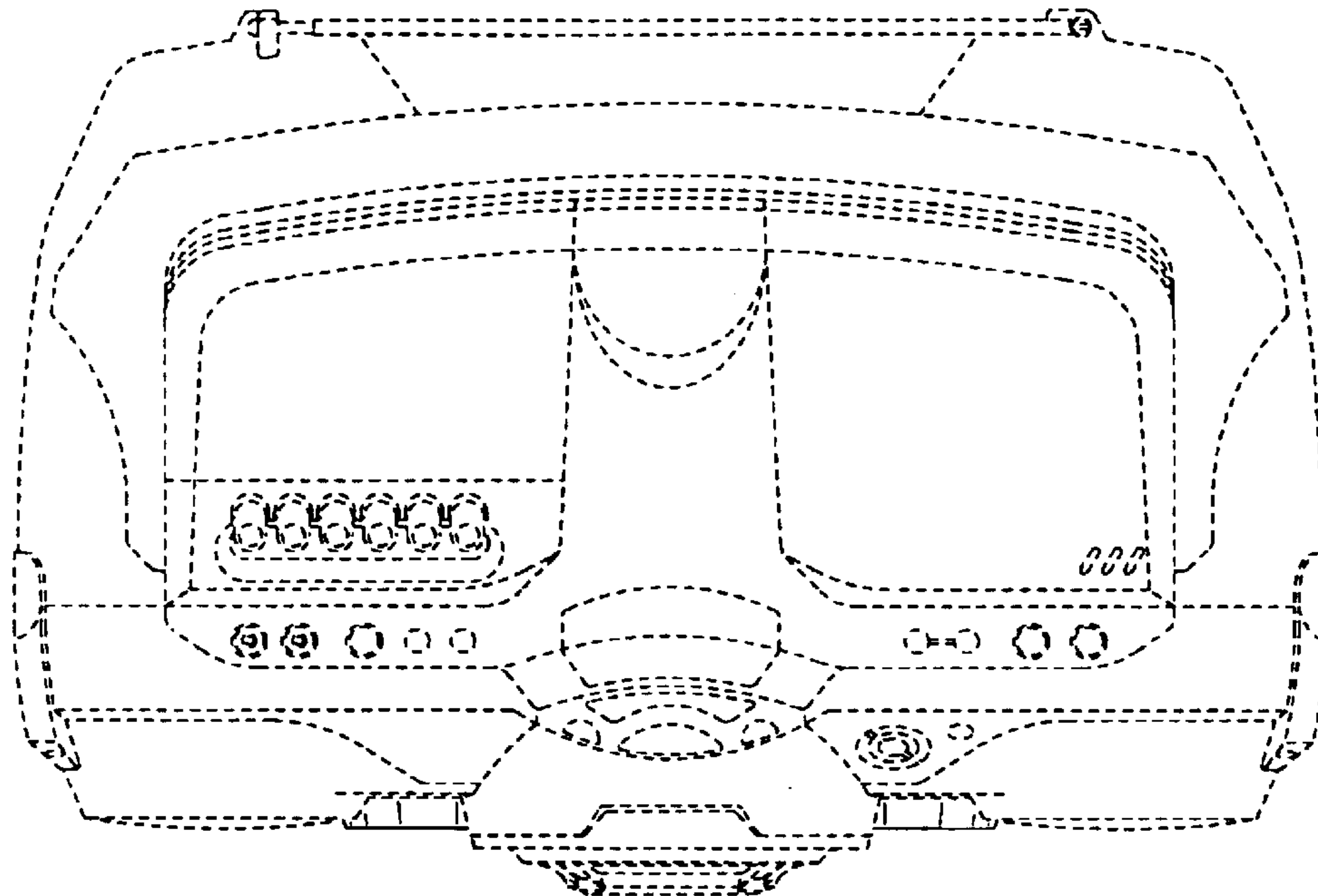


Fig.6

