



US00D506456S

(12) **United States Design Patent** (10) **Patent No.:** **US D506,456 S**
Shindo (45) **Date of Patent:** **** Jun. 21, 2005**

(54) **DISC PLAYER**

(75) Inventor: **Koji Shindo**, Tokyo (JP)

(73) Assignee: **Sony Corporation**, Tokyo (JP)

(**) Term: **14 Years**

(21) Appl. No.: **29/200,449**

(22) Filed: **Mar. 1, 2004**

(51) **LOC (8) Cl.** **14-01**

(52) **U.S. Cl.** **D14/156**

(58) **Field of Search** D14/135-136,
D14/156-157, 160-165, 167-168, 192-198,
188, 217, 257, 258, 445; 360/99.02, 99.07;
369/75.11, 75.21, 77.21, 77.11; 720/612,
619, 647, 655; 455/344, 347-351

(56) **References Cited**

U.S. PATENT DOCUMENTS

D471,887 S	*	3/2003	Nishii et al.	D14/157
D480,701 S		10/2003	Sogabe	
D481,373 S		10/2003	Sogabe	
D486,134 S	*	2/2004	Hori et al.	D14/157
D487,447 S		3/2004	Sadatsuki	

OTHER PUBLICATIONS

Web page "AV Watch,f-cd07" <http://www.watch.impress.co.jp/av/docs/20031216/kenwood2.jpg>, 3 sheets, Impress Corporation (Dec. 2003).

Web page "Sony I Car Audio, MEX-1HD" http://www.sony.jp/products/me/contents/caraudio/lineup/mex_1hd.html, 1 sheet, Sony (Dec. 2003).

Web page "Sony I Car Audio, CDX-MP200X" http://www.sony.jp/products/me/contents/caraudio/lineup/cdx_mp200x.html, 1 sheet, Sony (Dec. 2003).

Web page "Sony Xplod, CDX-MP40" <http://www.xplodsony.com/products/?CATEGORY=CD&MD=CDX-MP40>, 1 sheet, Sony (Dec. 2003).

Web page "Sony Xplod, CDX-CA810X" <http://www.xplodsony.com/products/?CATEGORY=CD&MD=CDX-CA810X>, 1 sheet, Sony (Dec. 2003).

Web page "Sony Xplod, CDX-L510X" <http://www.xplodsony.com/products/?CATEGORY=CD&MD=CDX-L510X>, 1 sheet, Sony (Dec. 2003).

Web page "carrozeria I Audio:1D Main Unit [CD]> DEH-P919, DEH-P919" http://www.pioneer.co.jp/carrozeria/products/audio/1d_cd/deh-p919/index.html, 1 sheet, Pioneer (Dec. 2003).

Web page "AUTOBACS.COM, JVC KD-CZ501 CD" http://www.autobacs.com/cgi-bin/inetcgi/scripts/spg_last01.jsp?BV_SessionID=AAAA16776814..., 1 sheet, Autobacs Seven Co., Ltd. (Dec. 2003).

Catalog "In Car Autumn/Wint r2003,CDX-M1000TF", 3 sheets, Sony (Dec. 2003).

* cited by examiner

Primary Examiner—Nanda Bondade

(74) *Attorney, Agent, or Firm*—Rader, Fishman & Grauer PLLC

(57) **CLAIM**

The ornamental design for a disc player, as shown.

DESCRIPTION

FIG. 1 is a perspective view of a disc player showing my new design;

FIG. 2 is a front elevational view thereof;

FIG. 3 is a rear elevational view thereof;

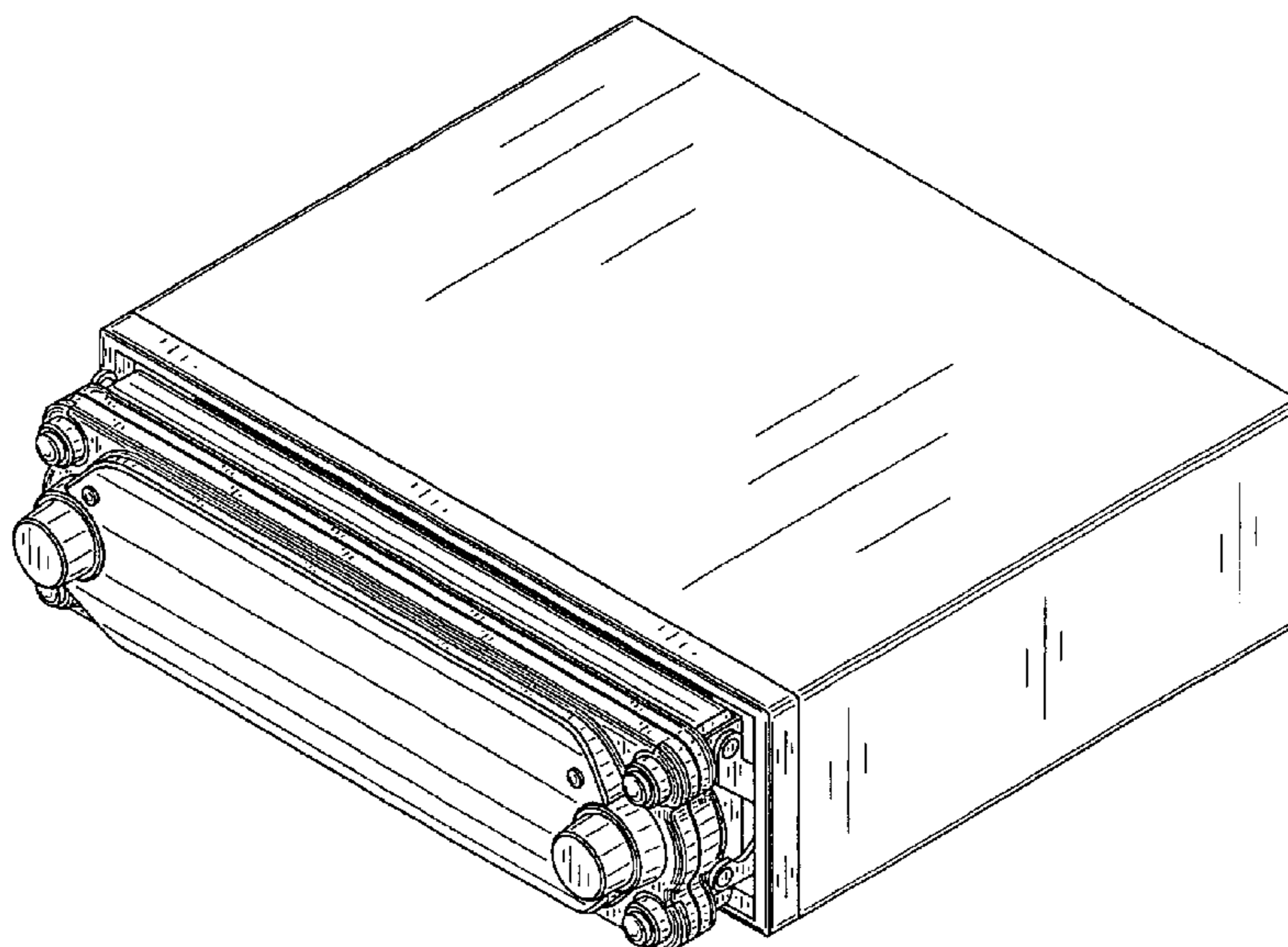
FIG. 4 is a left side elevational view thereof;

FIG. 5 is a right side elevational view thereof;

FIG. 6 is a top plan view thereof; and,

FIG. 7 is a bottom plan view thereof.

1 Claim, 5 Drawing Sheets



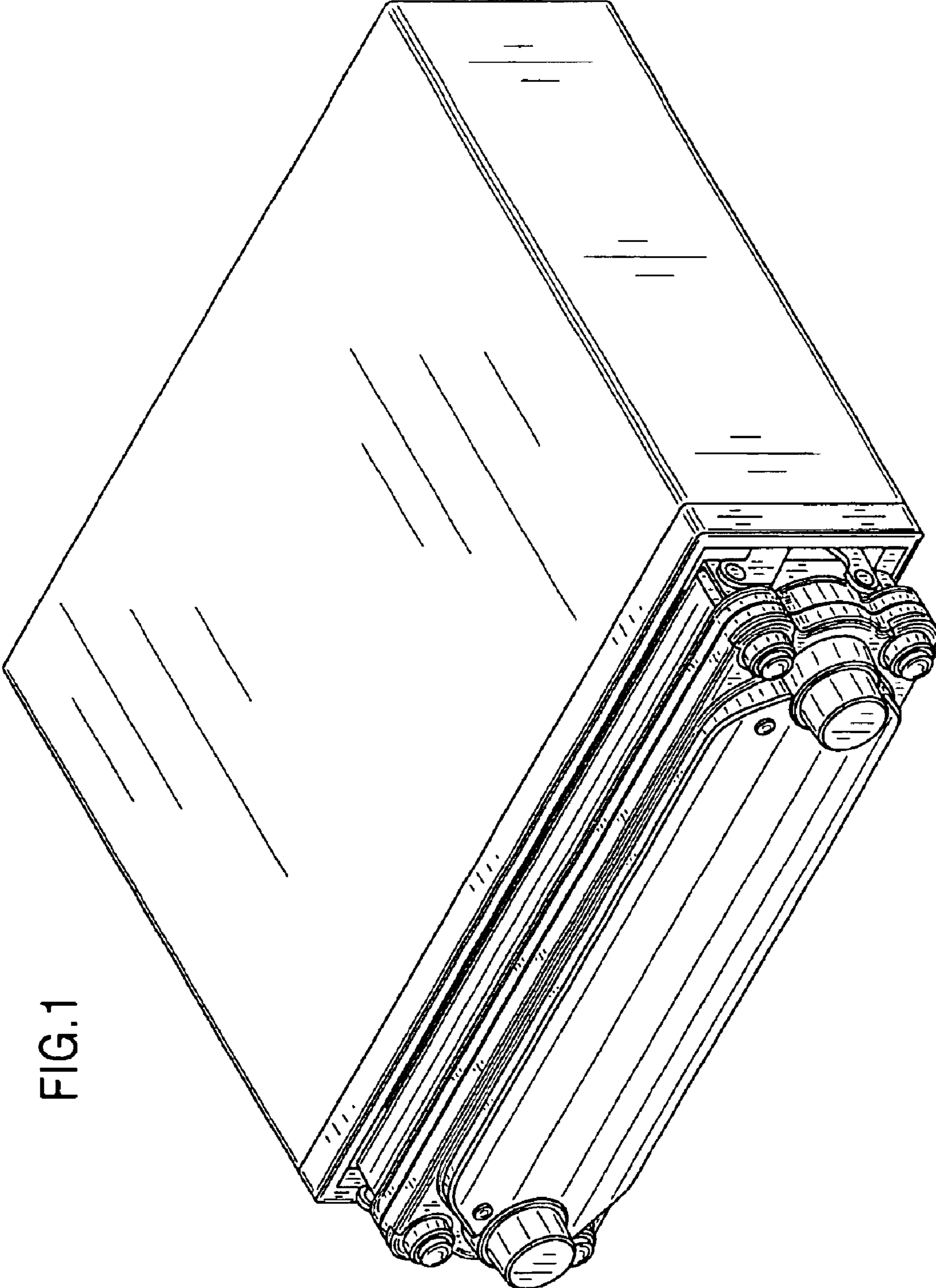


FIG.1

FIG.2

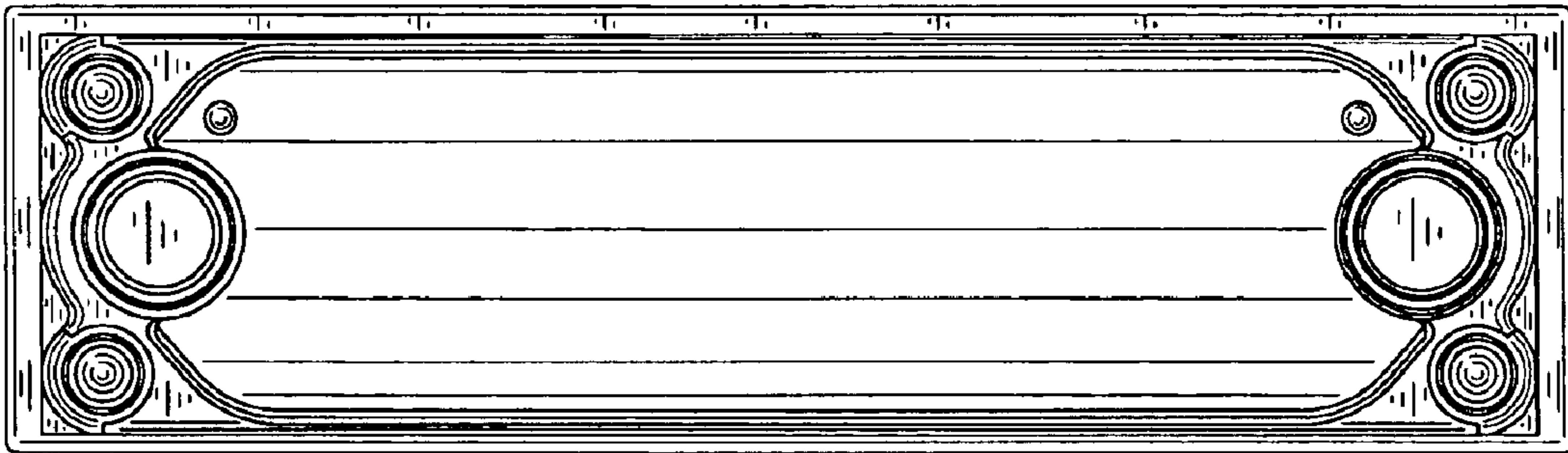


FIG.3

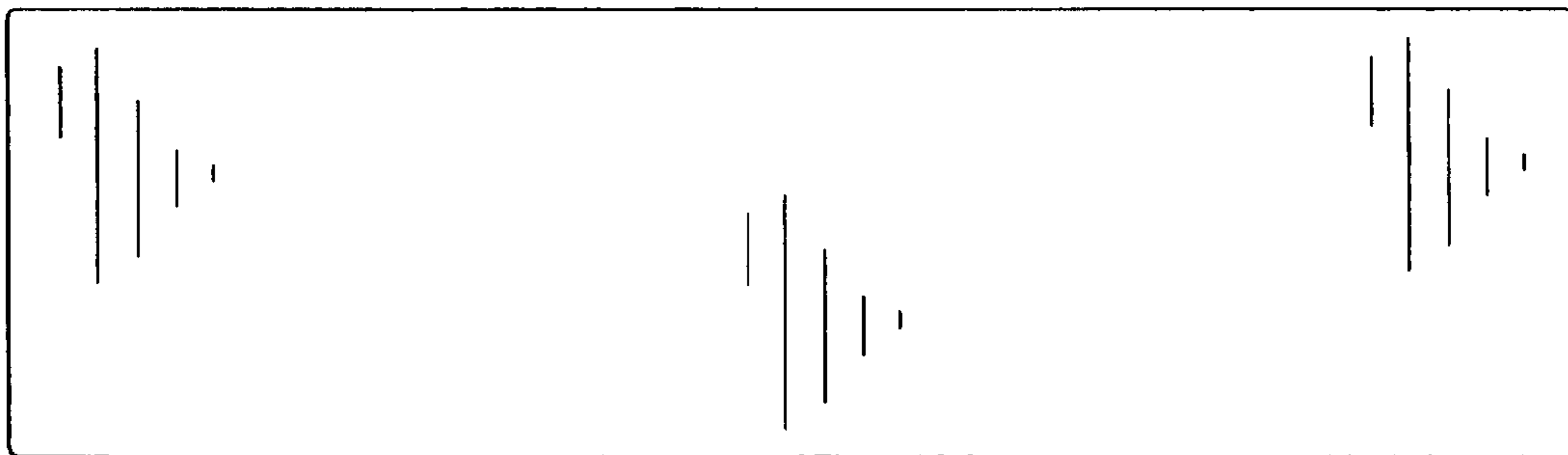


FIG.4

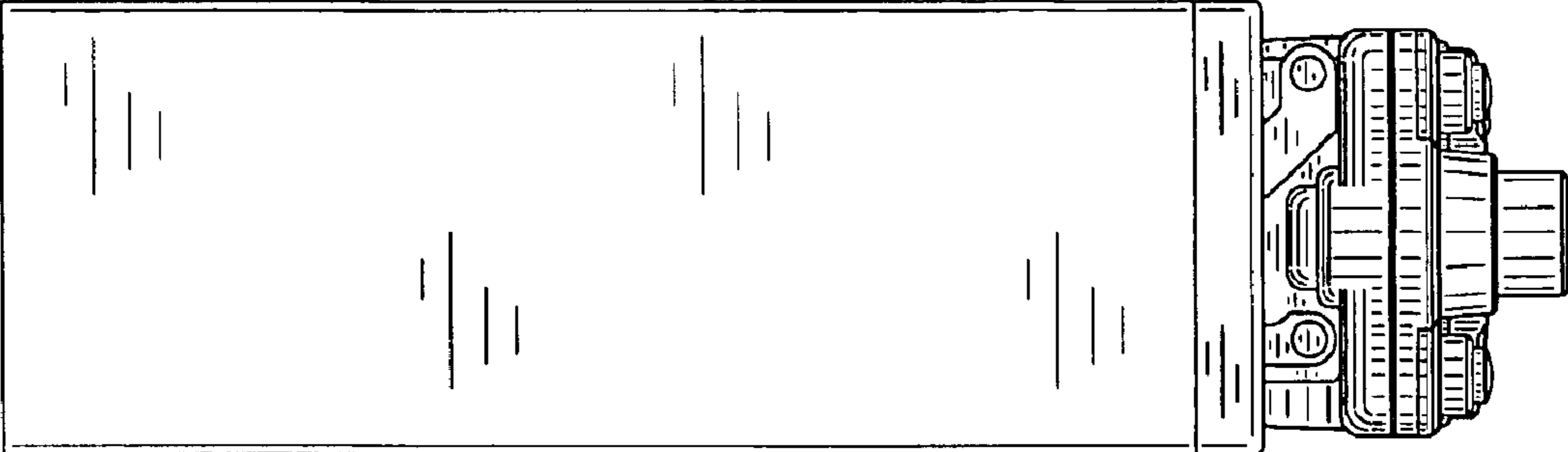


FIG.5

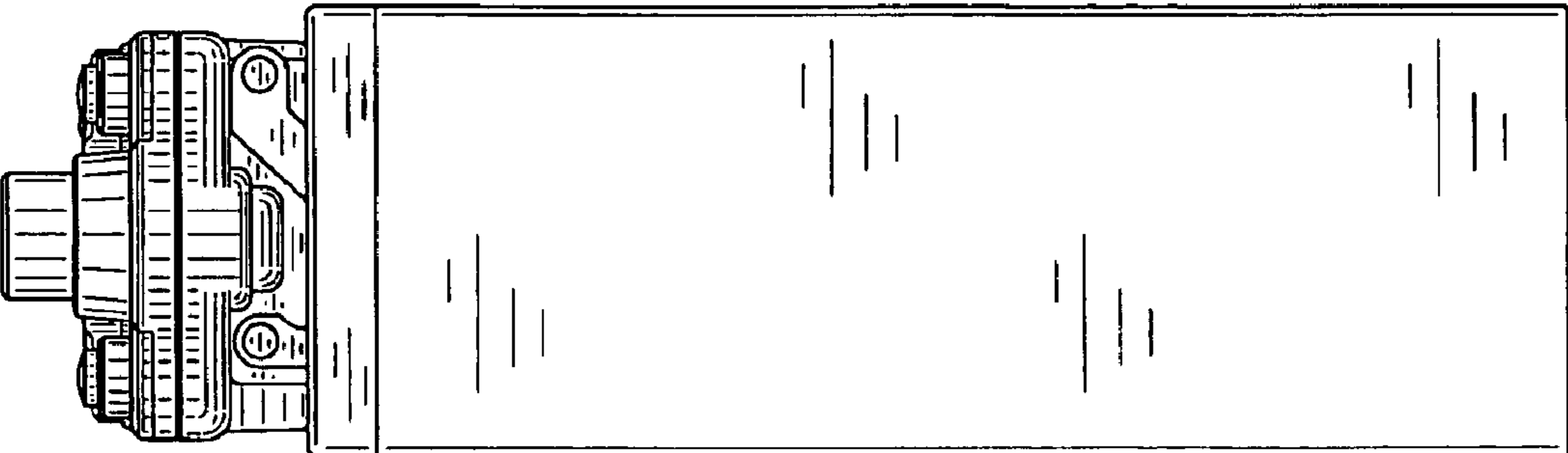


FIG.6

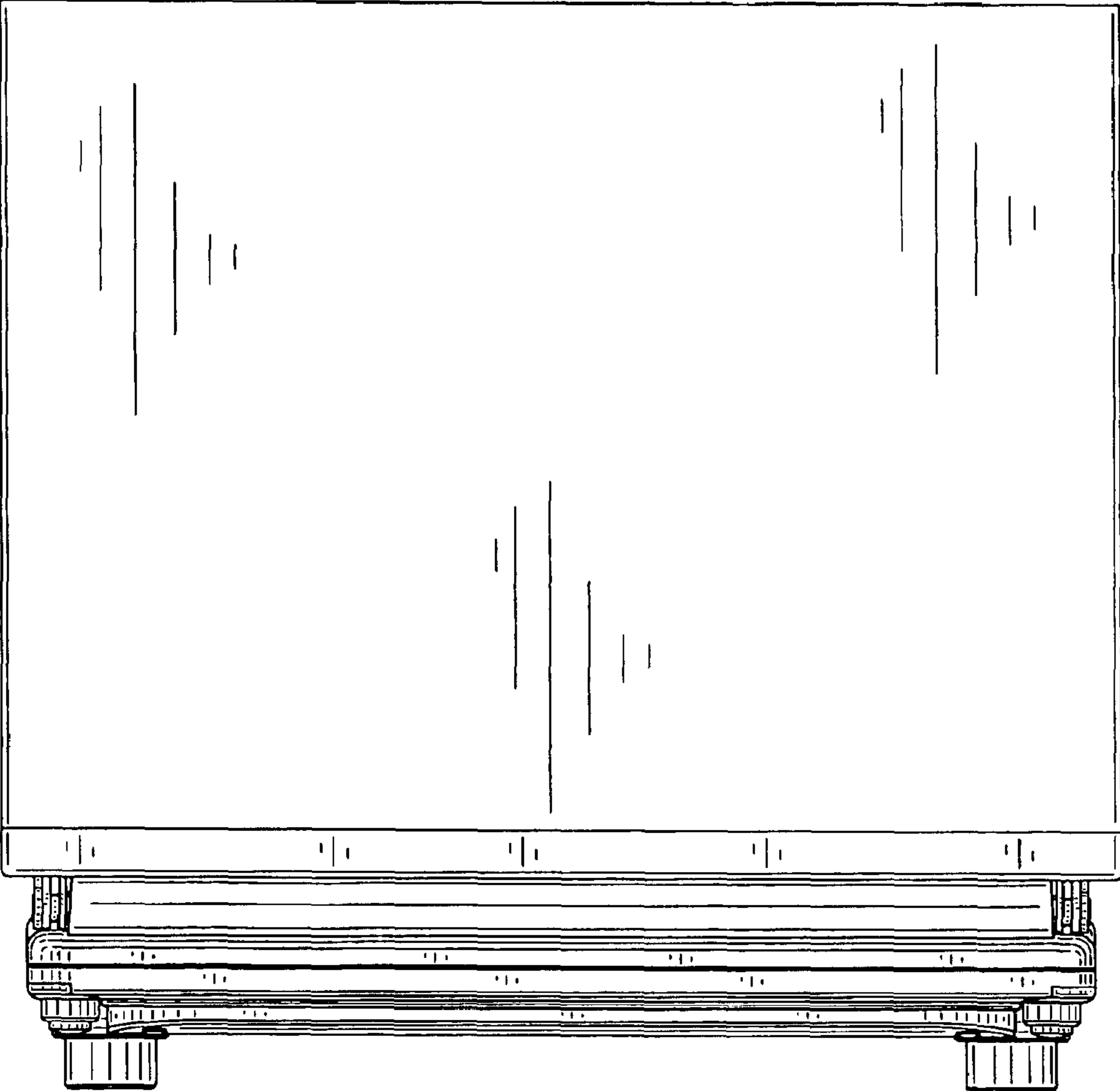


FIG. 7

