

US00D506451S

(12) **United States Design Patent**  
**Peng**

(10) **Patent No.:** **US D506,451 S**

(45) **Date of Patent:** **\*\* Jun. 21, 2005**

(54) **DVD PLAYER**

(75) **Inventor:** **Juen-Tien Peng, Chung Li (TW)**

(73) **Assignee:** **Action Electronics Co., Ltd., Chung Li (TW)**

(\*\*) **Term:** **14 Years**

(21) **Appl. No.:** **29/199,495**

(22) **Filed:** **Feb. 18, 2004**

(51) **LOC (8) Cl.** ..... **14-01**

(52) **U.S. Cl.** ..... **D14/136**

(58) **Field of Search** ..... D14/135-136,  
D14/156-157, 160-165, 167-168, 192-198,  
217, 257, 258, 445; 455/347-351; 369/75.1,  
75.2, 77.1, 77.2

(56) **References Cited**

**U.S. PATENT DOCUMENTS**

D420,350 S \* 2/2000 Matsuzaka ..... D14/135

D428,865 S \* 8/2000 Nishiwaki et al. .... D14/135  
D430,123 S \* 8/2000 Shinohara et al. .... D14/135  
D436,089 S \* 1/2001 Nishiwaki et al. .... D14/135  
D475,030 S \* 5/2003 Senda et al. .... D14/135

\* cited by examiner

*Primary Examiner*—Nanda Bondade

(74) *Attorney, Agent, or Firm*—Rosenberg, Klein & Lee

(57) **CLAIM**

The ornamental design for a DVD player, as shown.

**DESCRIPTION**

FIG. 1 is a perspective view of DVD player embodying my design.

FIG. 2 is a front elevational view thereof;

FIG. 3 is rear elevational view thereof.

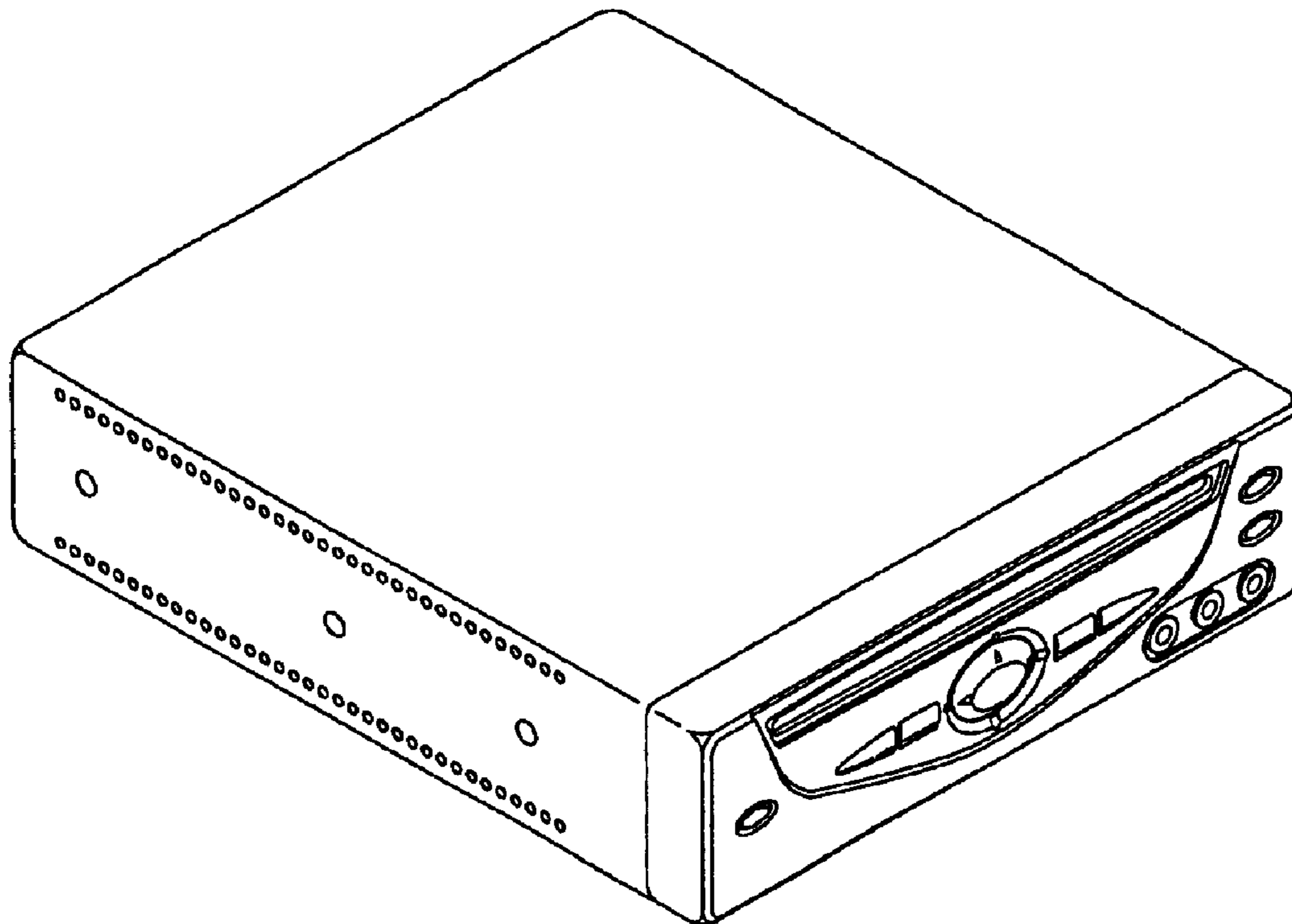
FIG. 4 is left elevational view thereof;

FIG. 5 is a right elevational view thereof;

FIG. 6 is a top view thereof; and,

FIG. 7 is a bottom view thereof.

**1 Claim, 4 Drawing Sheets**



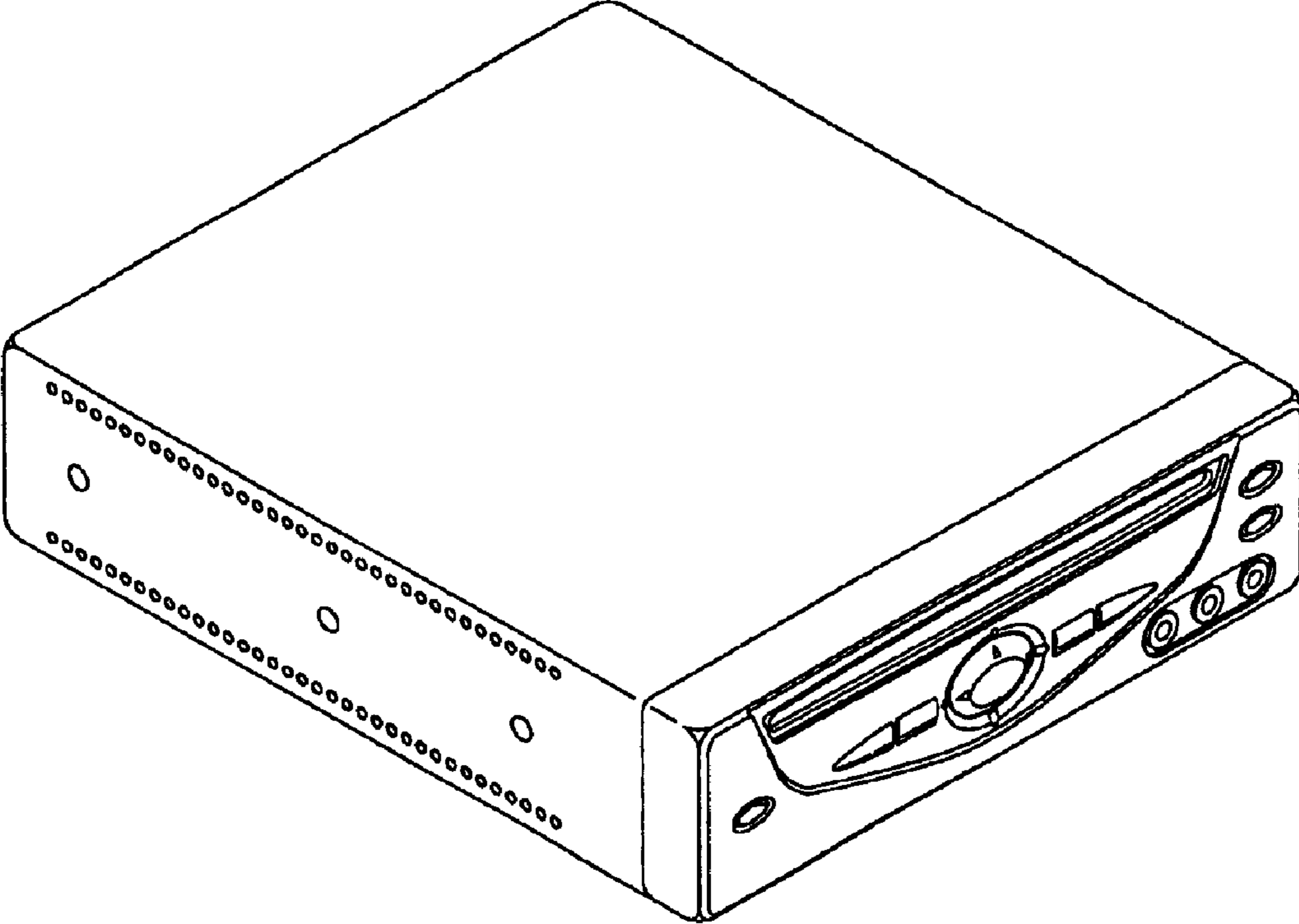


FIG.1

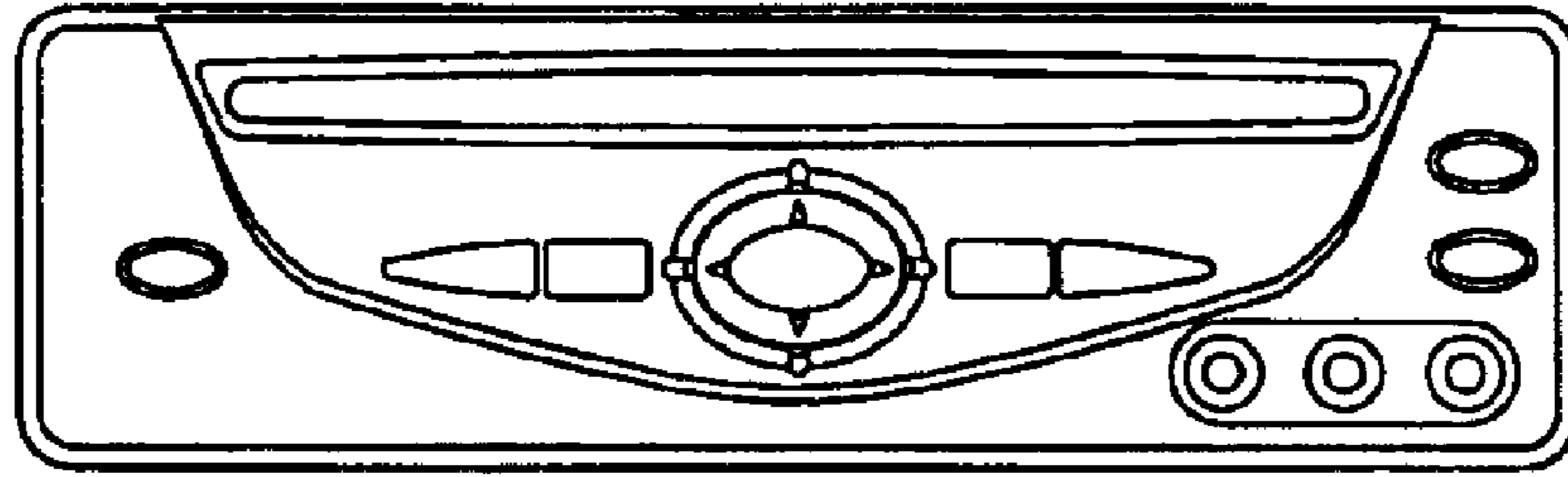


FIG. 2

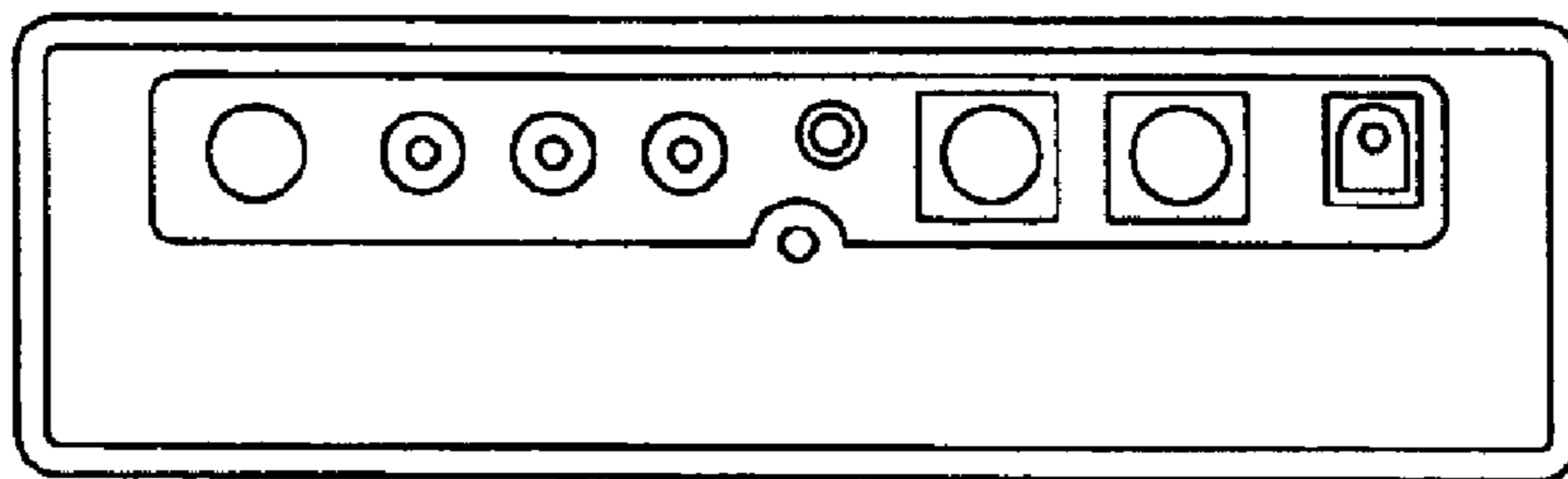


FIG. 3

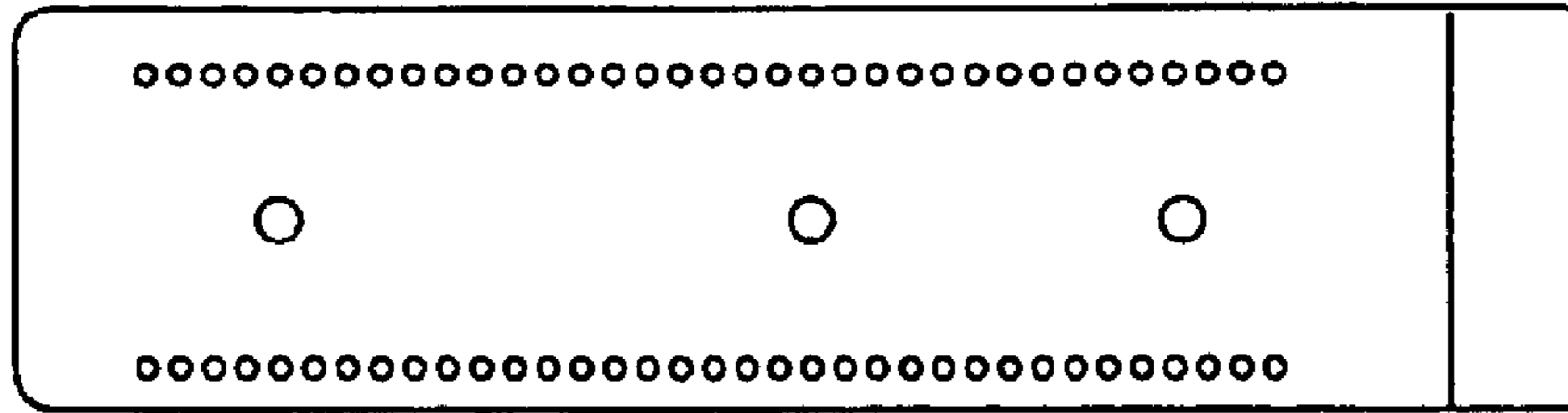


FIG. 4

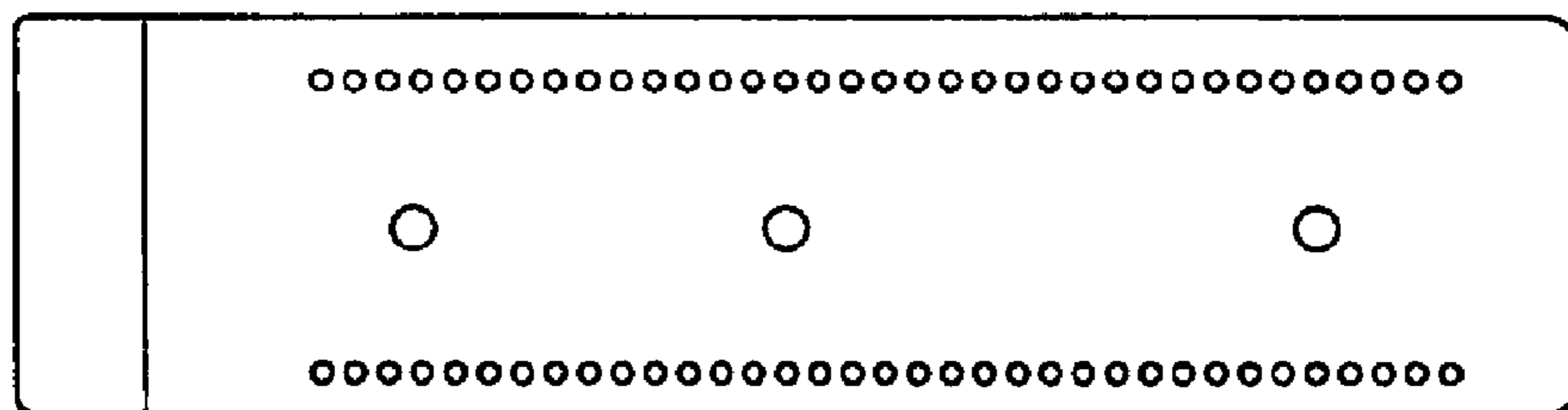


FIG. 5

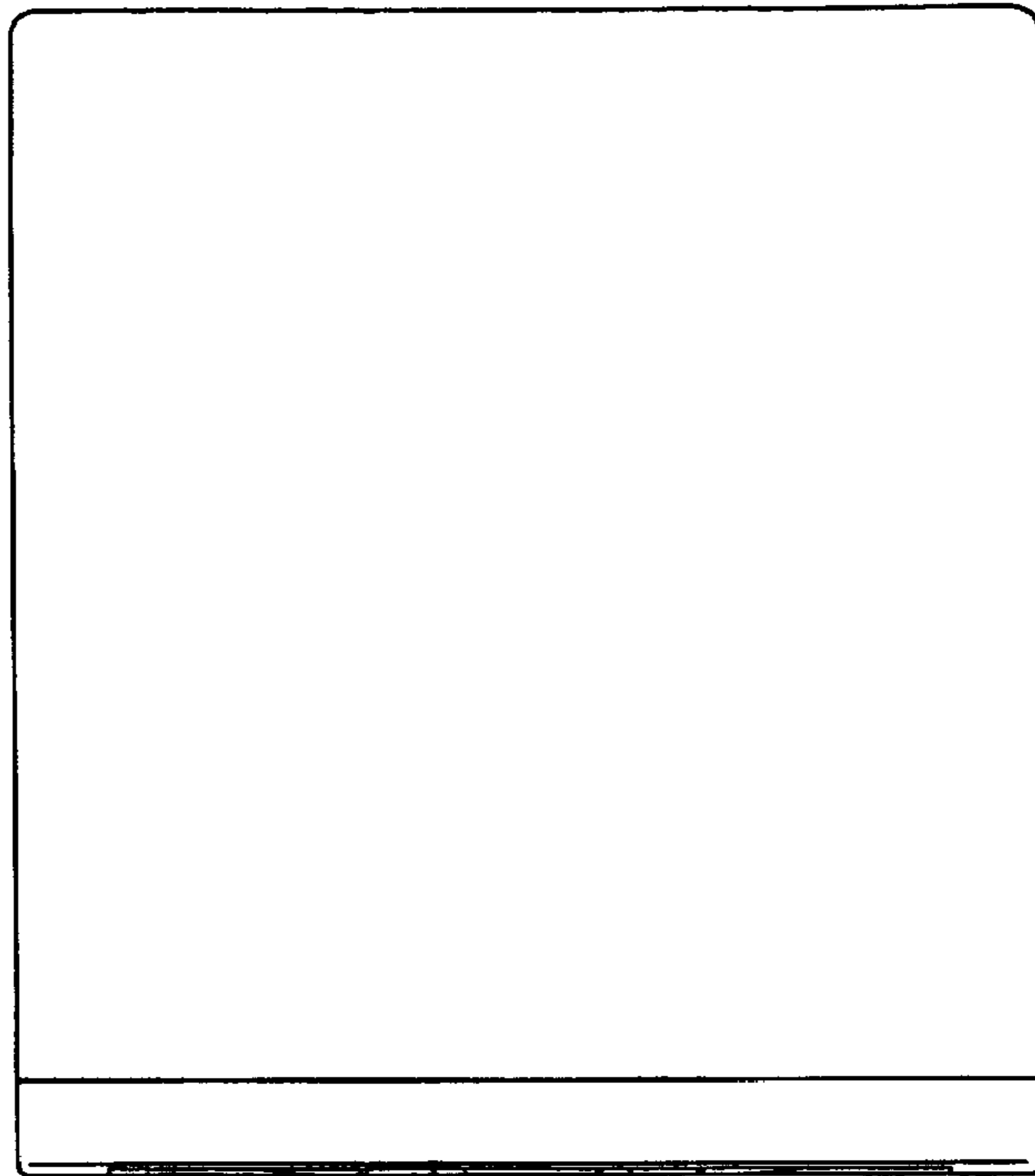


FIG. 6

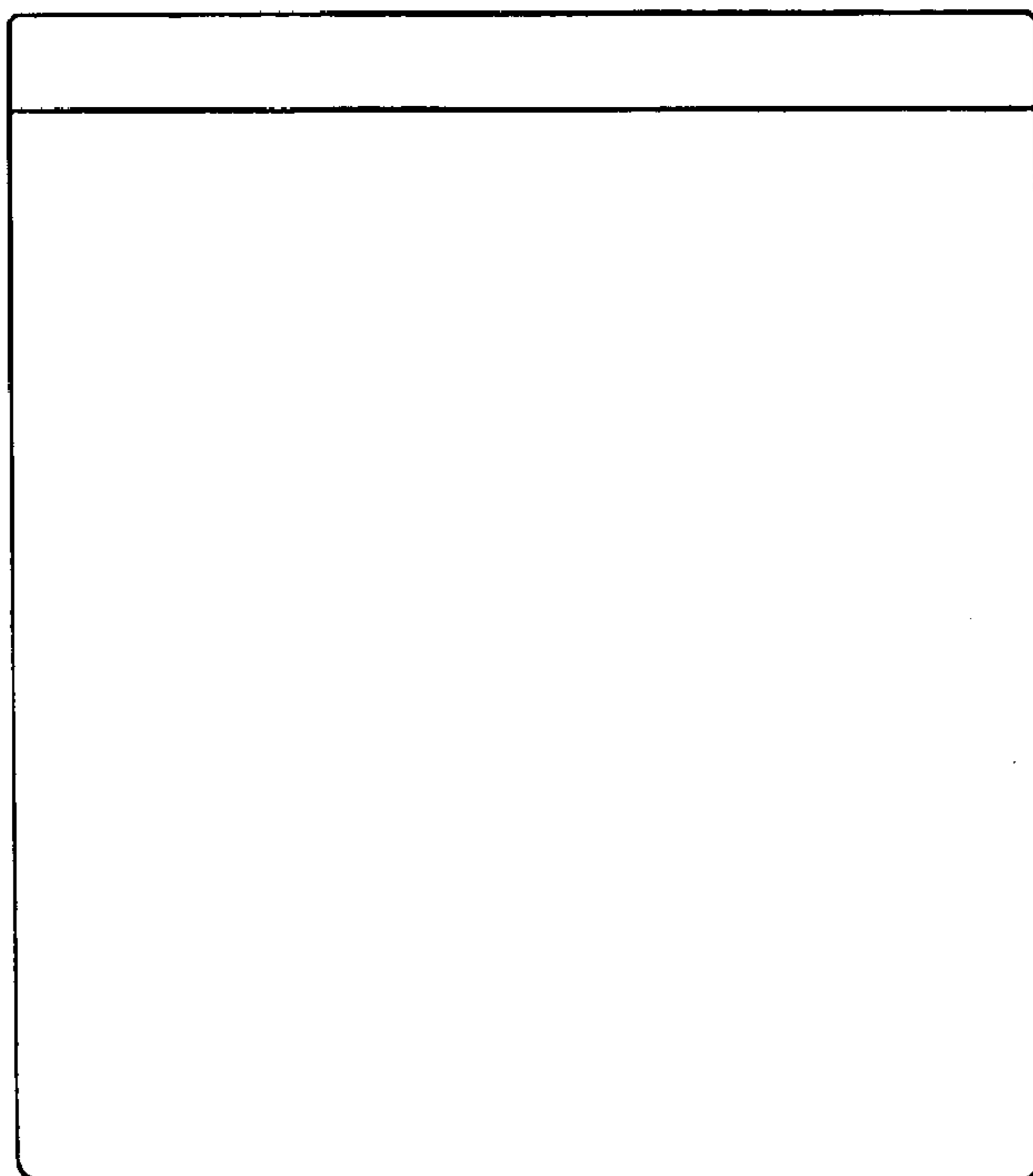


FIG. 7