

US00D506450S

(12) **United States Design Patent**  
**Takeuchi**

(10) **Patent No.:** **US D506,450 S**  
(45) **Date of Patent:** **\*\* Jun. 21, 2005**

(54) **OPTICAL SEMICONDUCTOR DEVICE**

(75) **Inventor:** **Teruo Takeuchi, Kitakyushu (JP)**

(73) **Assignee:** **Kabushiki Kaisha Toshiba (JP)**

(\*\*) **Term:** **14 Years**

(21) **Appl. No.:** **29/199,357**

(22) **Filed:** **Feb. 17, 2004**

(30) **Foreign Application Priority Data**

Aug. 27, 2003 (JP) ..... 2003-024880

(51) **LOC (8) Cl.** ..... **13-03**

(52) **U.S. Cl.** ..... **D13/182**

(58) **Field of Search** ..... D13/182; 250/216;  
257/98, 730, 787; 438/22, 25, 26

(56) **References Cited**

**U.S. PATENT DOCUMENTS**

D280,812 S	*	10/1985	Takahashi	.....	D13/182
4,808,812 A	*	2/1989	Tanaka et al.	.....	250/216
5,032,953 A	*	7/1991	Carl et al.	.....	361/730
5,309,460 A	*	5/1994	Fujimaki et al.	.....	372/36
5,485,479 A	*	1/1996	Kitamura et al.	.....	372/43
6,509,584 B2	*	1/2003	Suzuki	.....	257/98
D476,296 S	*	6/2003	Koizumi	.....	D13/182

**FOREIGN PATENT DOCUMENTS**

JP	801836	12/1990
JP	1096720	1/2001

**OTHER PUBLICATIONS**

Hokuyo Automatic Catalog, p. 11, FC51C. Dated Dec. 2, 1999.

\* cited by examiner

*Primary Examiner*—Stella Reid  
*Assistant Examiner*—Selina Sikder

(74) *Attorney, Agent, or Firm*—Banner & Witcoff, Ltd.

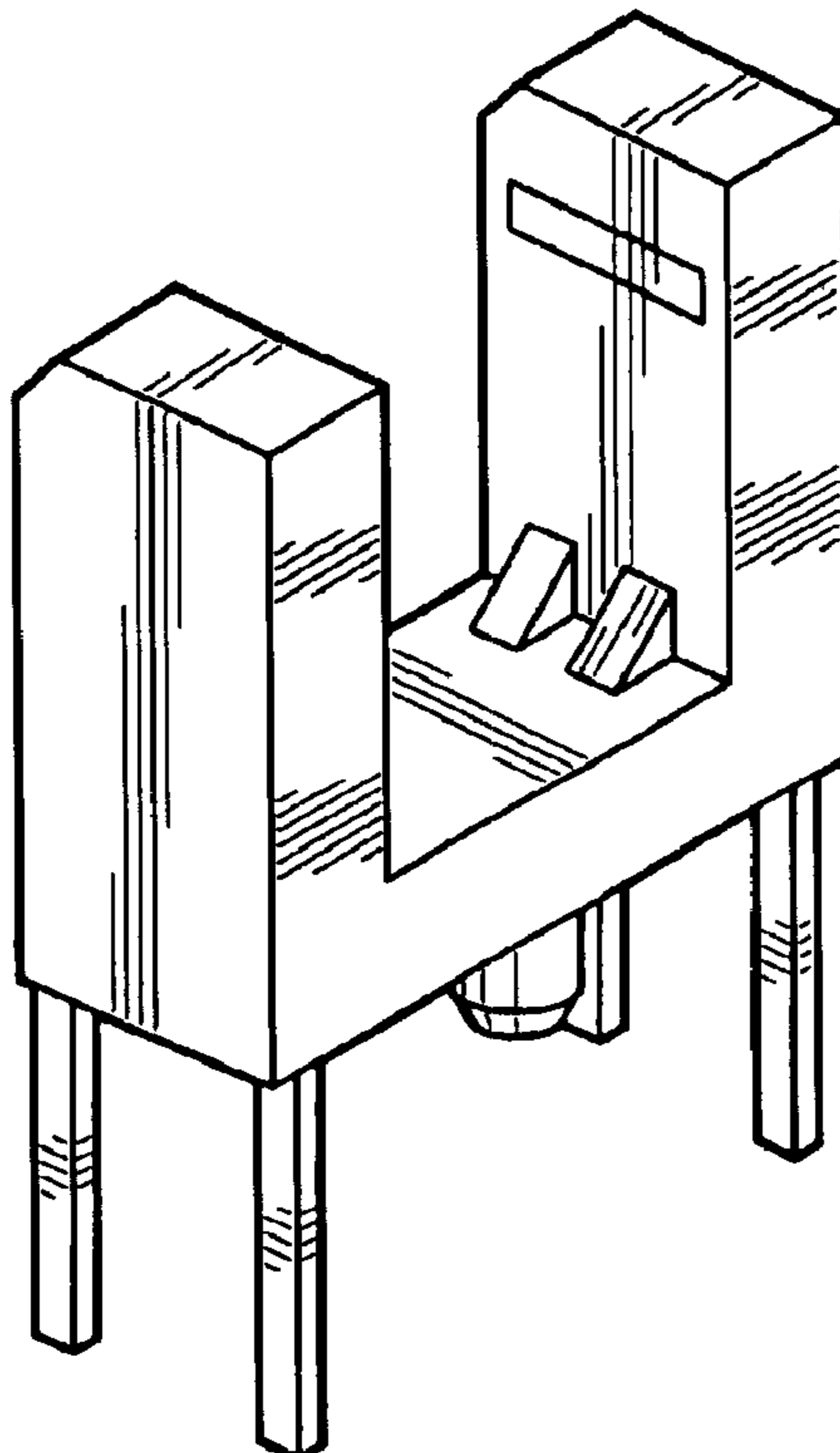
(57) **CLAIM**

The ornamental design for an optical semiconductor device, as shown and described.

**DESCRIPTION**

FIG. 1 is a front, top and left side perspective view of an optical semiconductor device, showing my new design; FIG. 2 is a top plan view thereof; FIG. 3 is a front elevational view thereof; FIG. 4 is a right side elevational view thereof; the opposite side being a mirror image thereof; FIG. 5 is a rear elevational view thereof; and, FIG. 6 is a bottom plan view thereof.

**1 Claim, 2 Drawing Sheets**



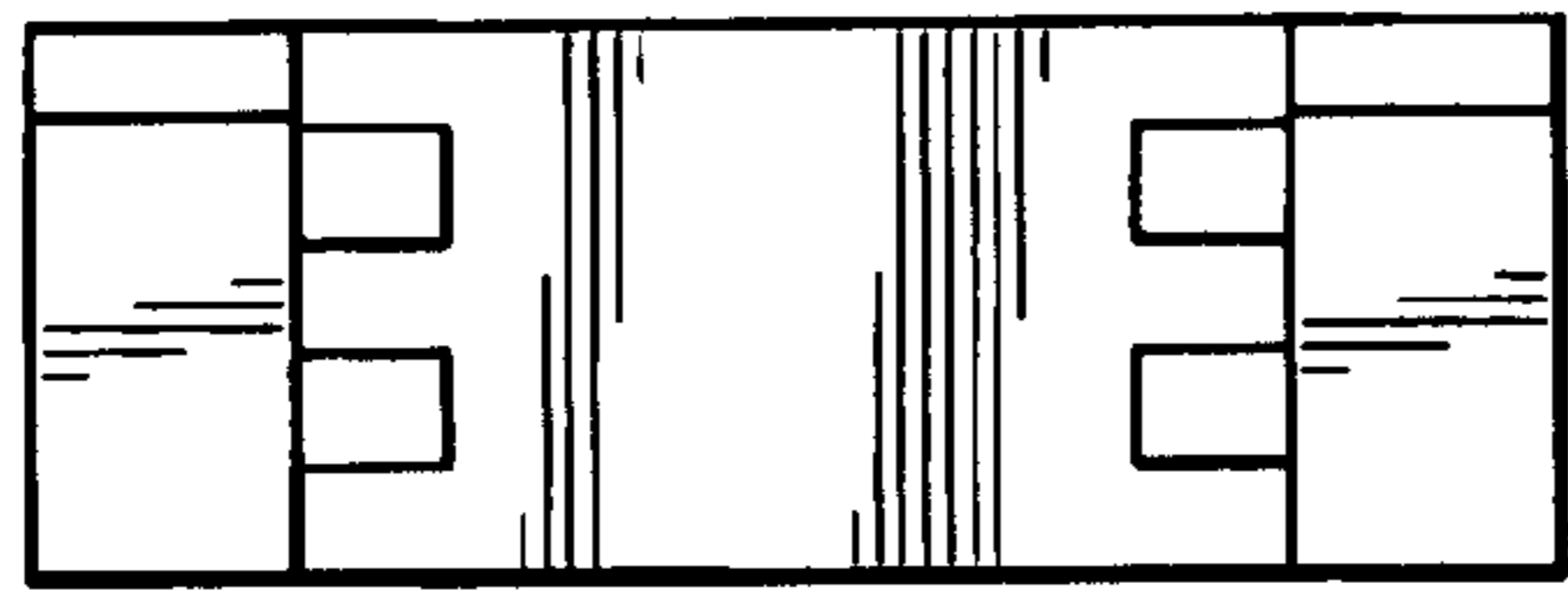


FIG. 2

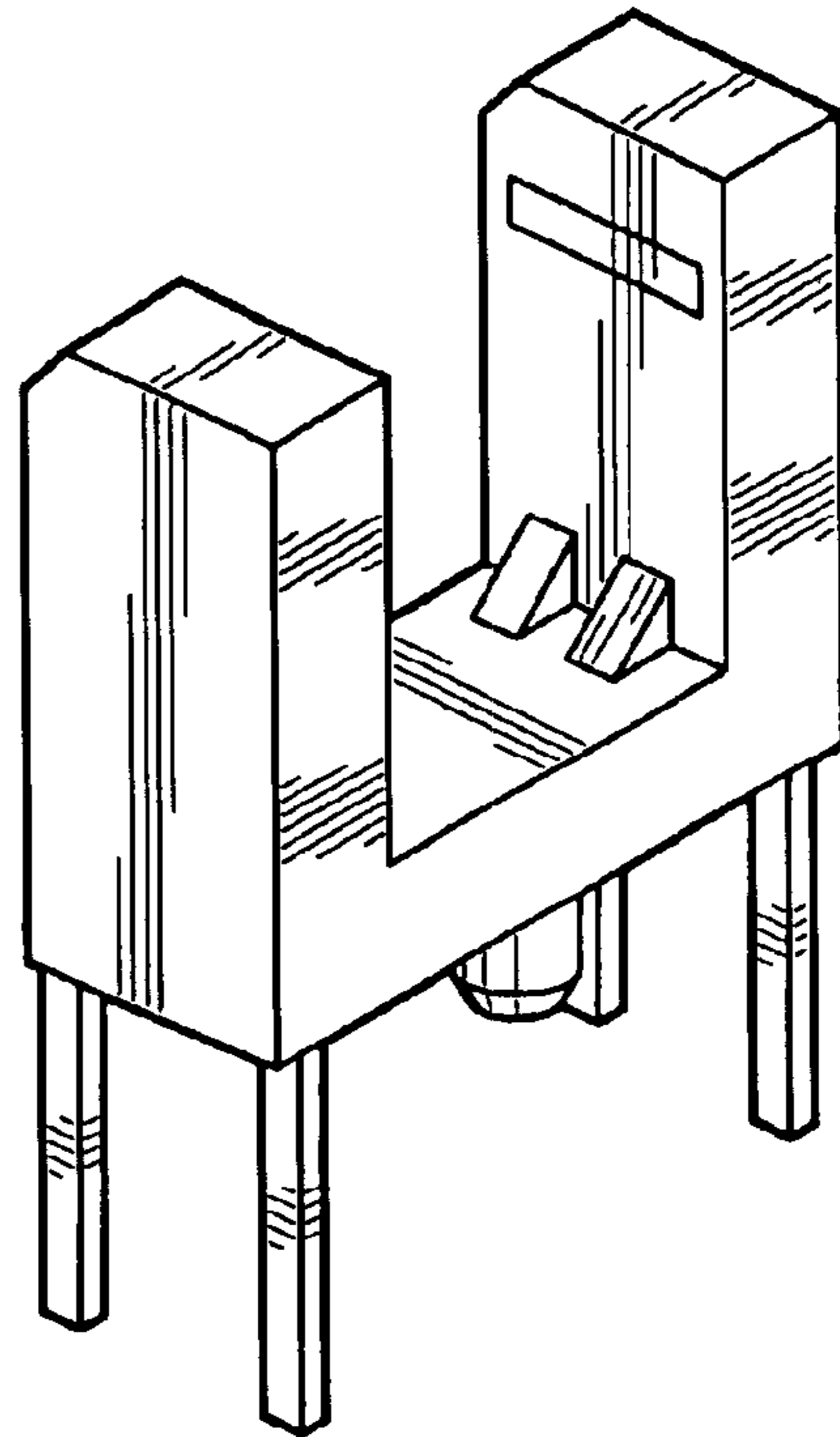


FIG. 1

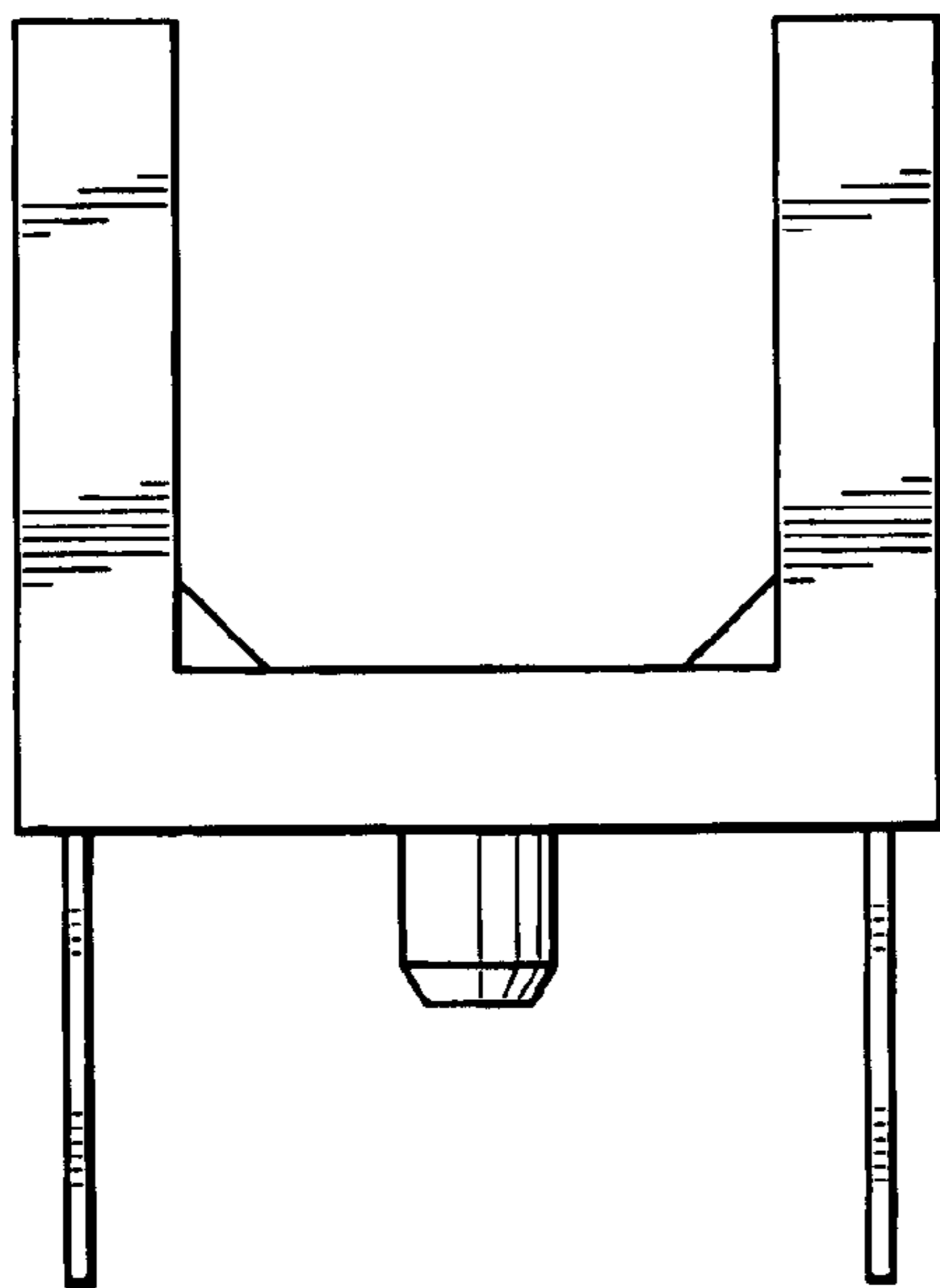


FIG. 3

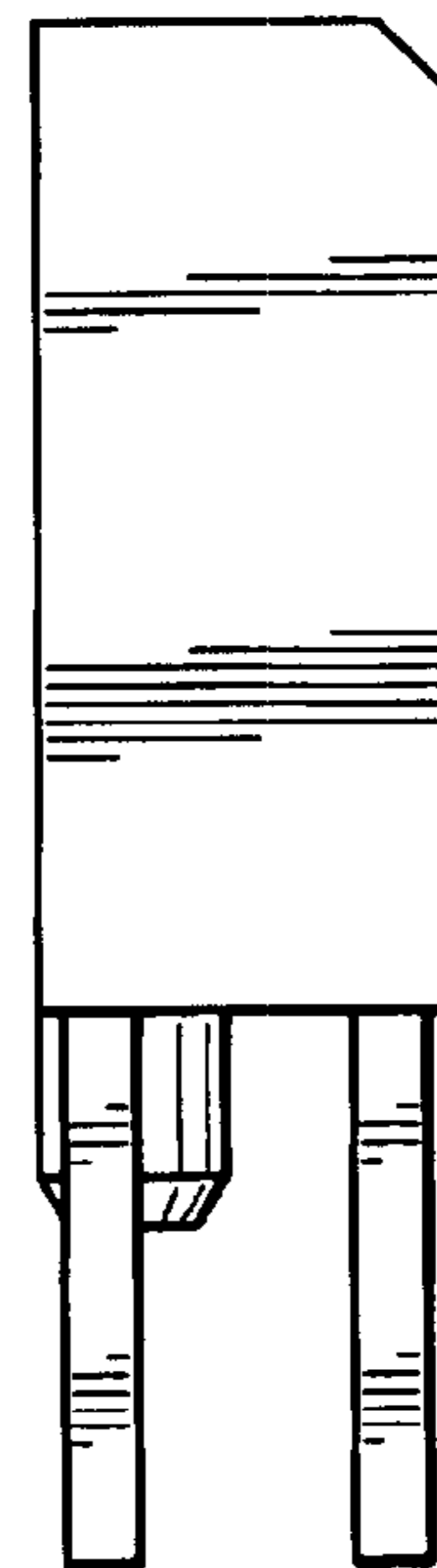


FIG. 4

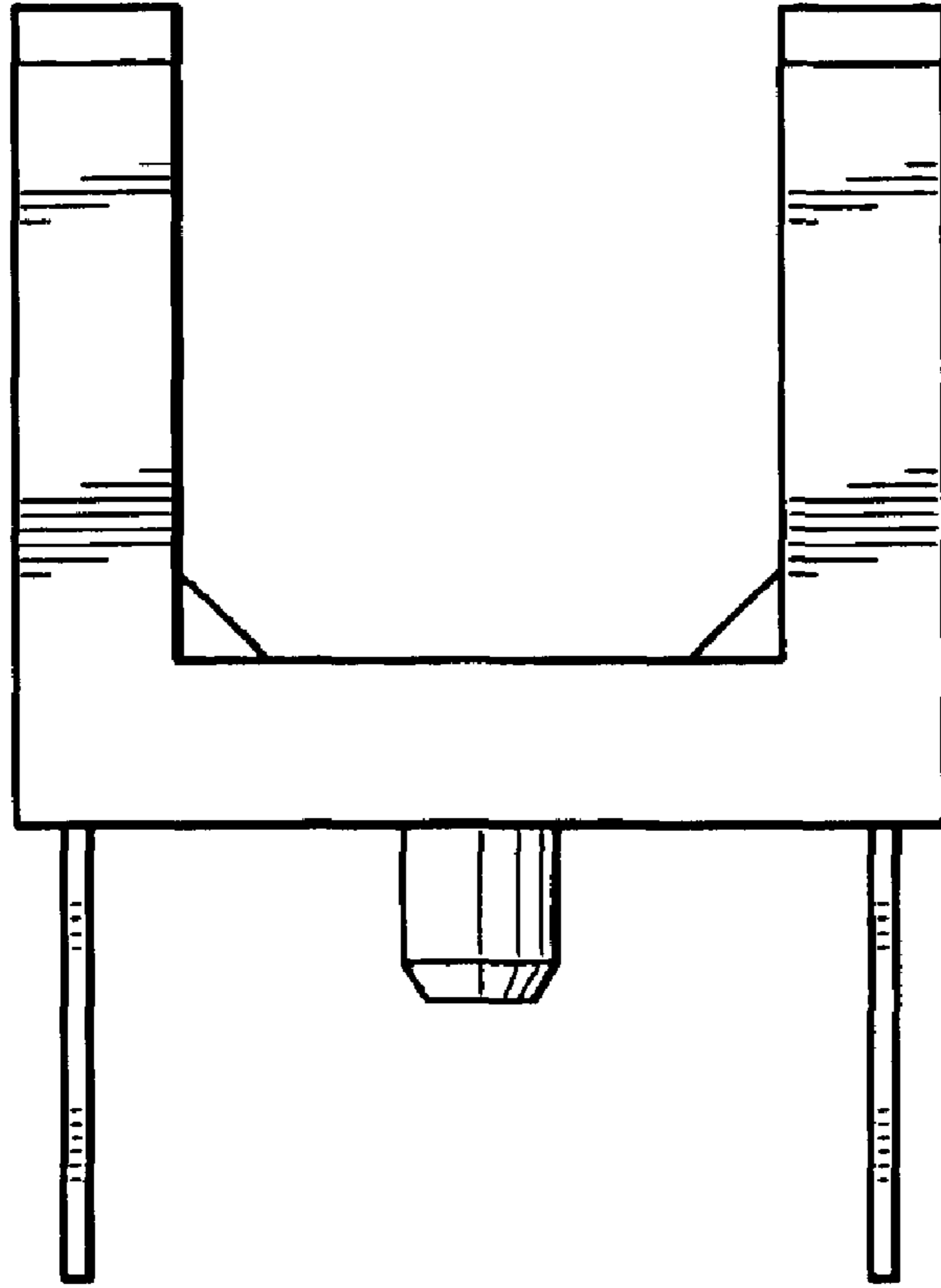


FIG. 5

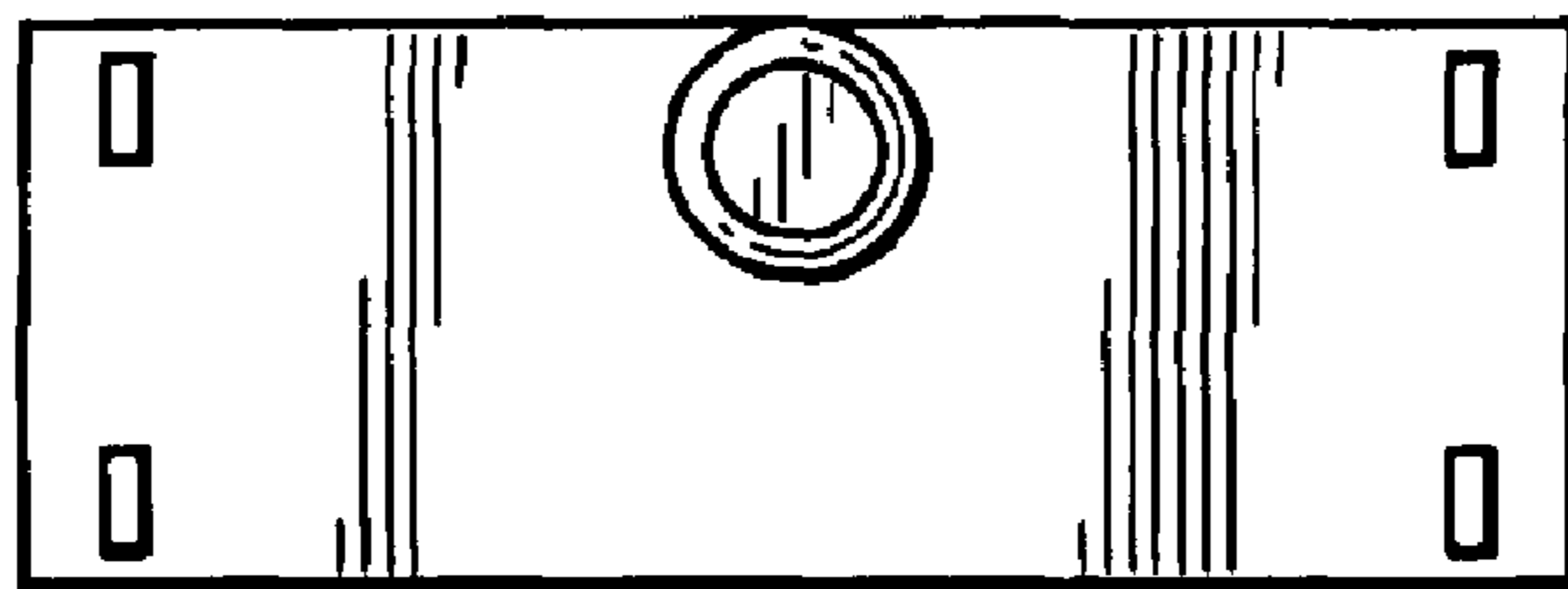


FIG. 6