



US00D506446S

(12) **United States Design Patent**
Montena

(10) **Patent No.:** **US D506,446 S**
(45) **Date of Patent:** **** Jun. 21, 2005**

- (54) **CO-AXIAL CABLE CONNECTOR**
- (75) **Inventor:** **Noah P. Montena**, Syracuse, NY (US)
- (73) **Assignee:** **John Mezzalingua Associates, Inc., E.**
Syracuse, NY (US)
- (**) **Term:** **14 Years**
- (21) **Appl. No.:** **29/209,466**
- (22) **Filed:** **Jul. 14, 2004**
- (51) **LOC (8) Cl.** **13-03**
- (52) **U.S. Cl.** **D13/154**
- (58) **Field of Search** D13/146, 154,
D13/133; 439/578, 580, 583-585, 174,
175

- 6,077,087 A * 6/2000 Endres et al. 439/63
- 6,153,830 A * 11/2000 Montena 174/88 C
- 2003/0178845 A1 * 9/2003 Islam 285/322

OTHER PUBLICATIONS

Amphenol Components GL-3; May 1, 1973; pp. 14, 17, 18.*

* cited by examiner

Primary Examiner—Alan P. Douglas
Assistant Examiner—Cynthia M. Chin
(74) *Attorney, Agent, or Firm*—Schmeiser, Olsen & Watts

(57) **CLAIM**

The ornamental design for a co-axial cable connector, as shown and described.

DESCRIPTION

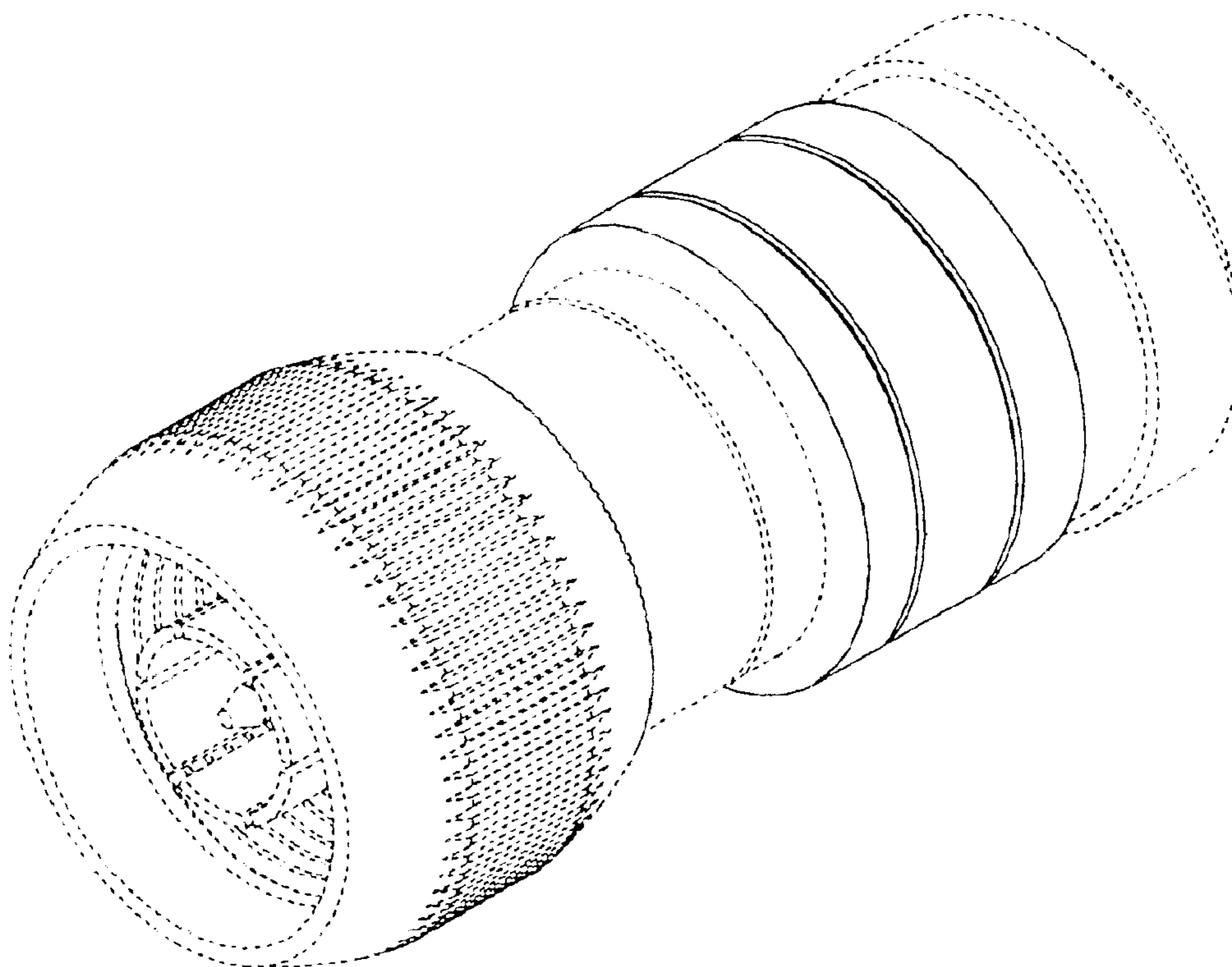
FIG. 1 is a perspective view of a co-axial cable connector showing my new design; FIG. 2 is a side elevational view thereof, the other side, top plan and bottom plan views being mirror images; FIG. 3 is a left end view of FIG. 1; and, FIG. 4 is a right end view of FIG. 1. The broken lines depict environmental structure and form no part of the claimed design.

1 Claim, 4 Drawing Sheets

(56) **References Cited**

U.S. PATENT DOCUMENTS

- 3,323,098 A * 5/1967 O'Keefe et al. 439/585
- 3,445,794 A * 5/1969 O'Keefe et al. 333/260
- 3,853,061 A * 12/1974 Schmidt 102/214
- 4,772,222 A * 9/1988 Laudig et al. 439/578
- D300,425 S * 3/1989 Sumita D13/133
- D355,639 S * 2/1995 Cheng D13/133
- 5,514,001 A * 5/1996 Szegda 439/263
- 5,934,943 A * 8/1999 McCarthy 439/695



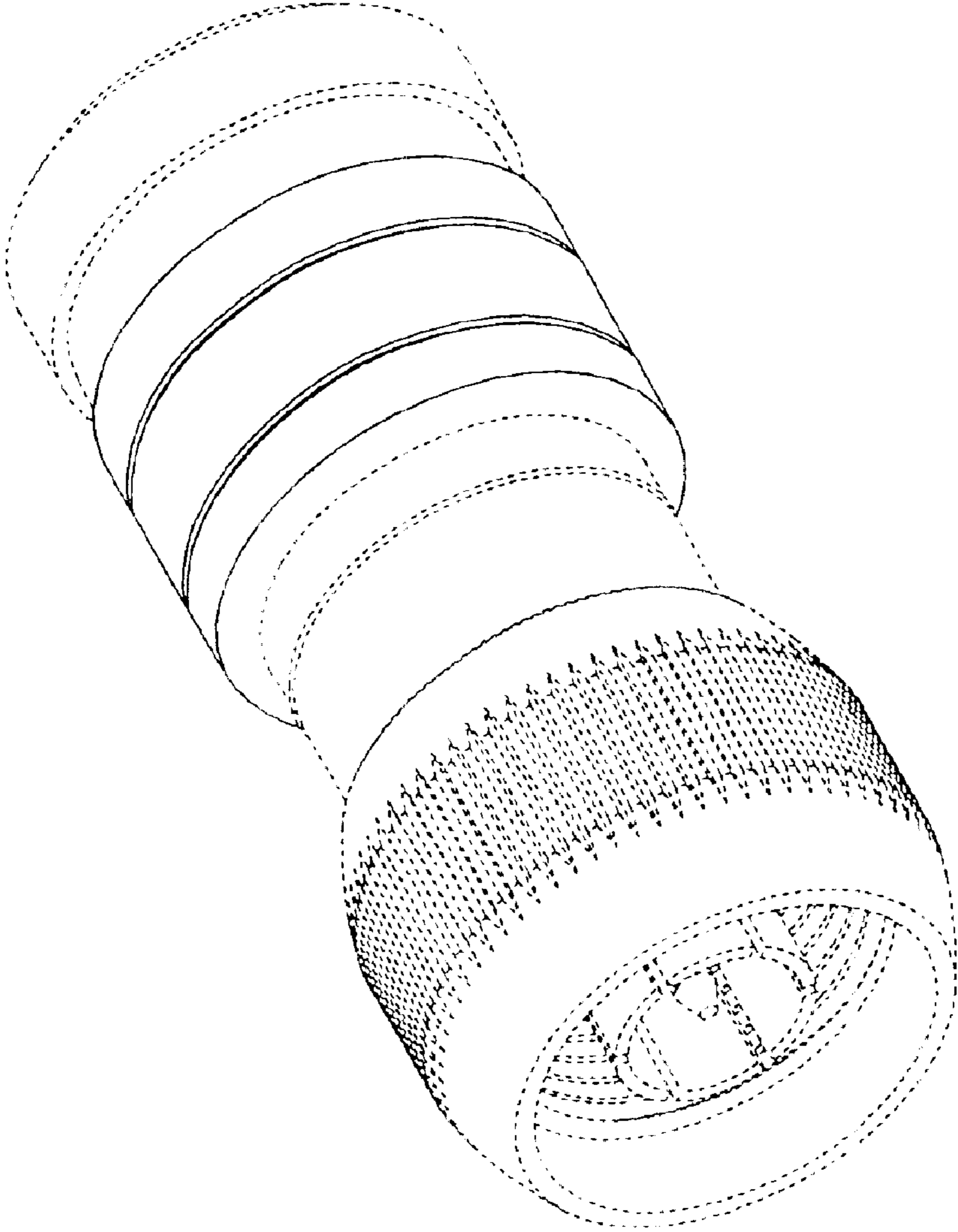


FIG. 1

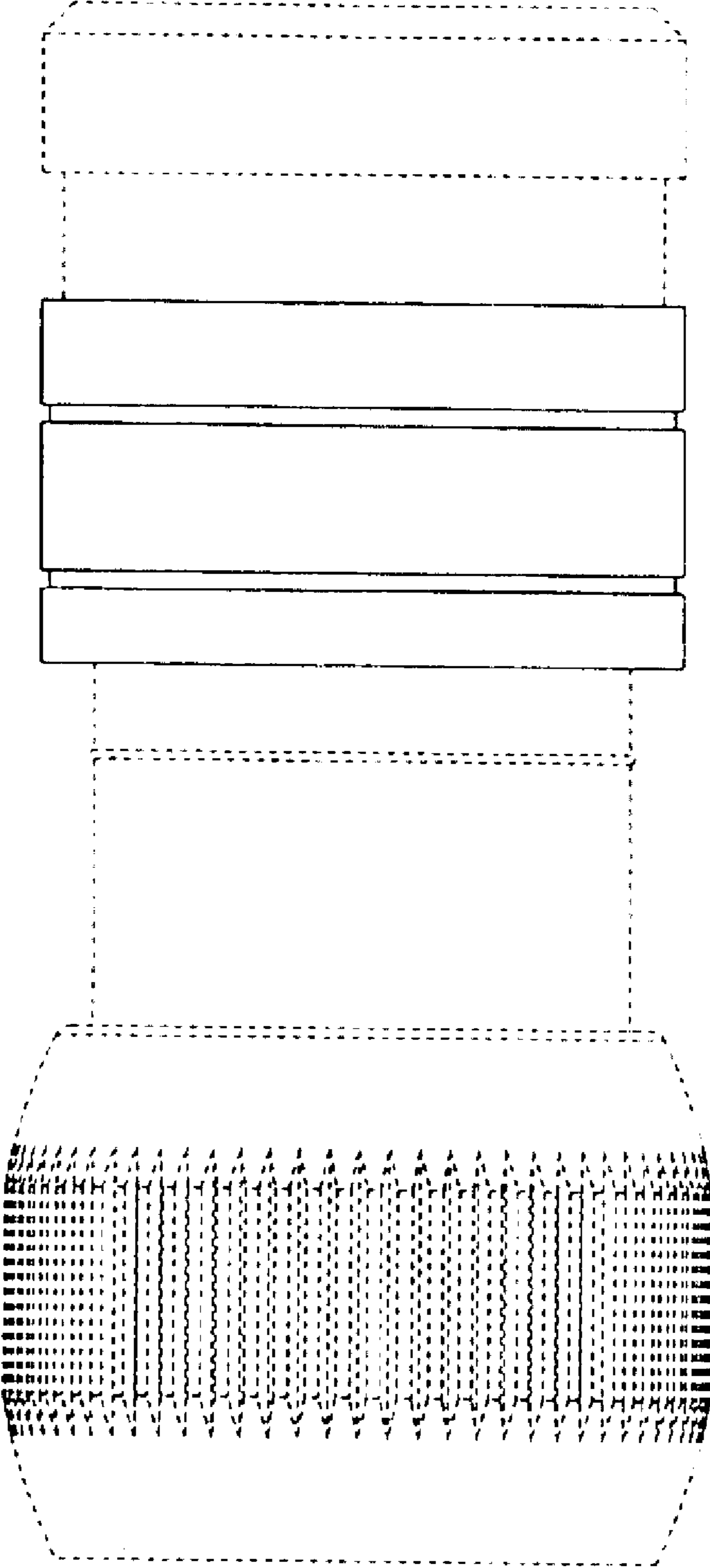


FIG. 2

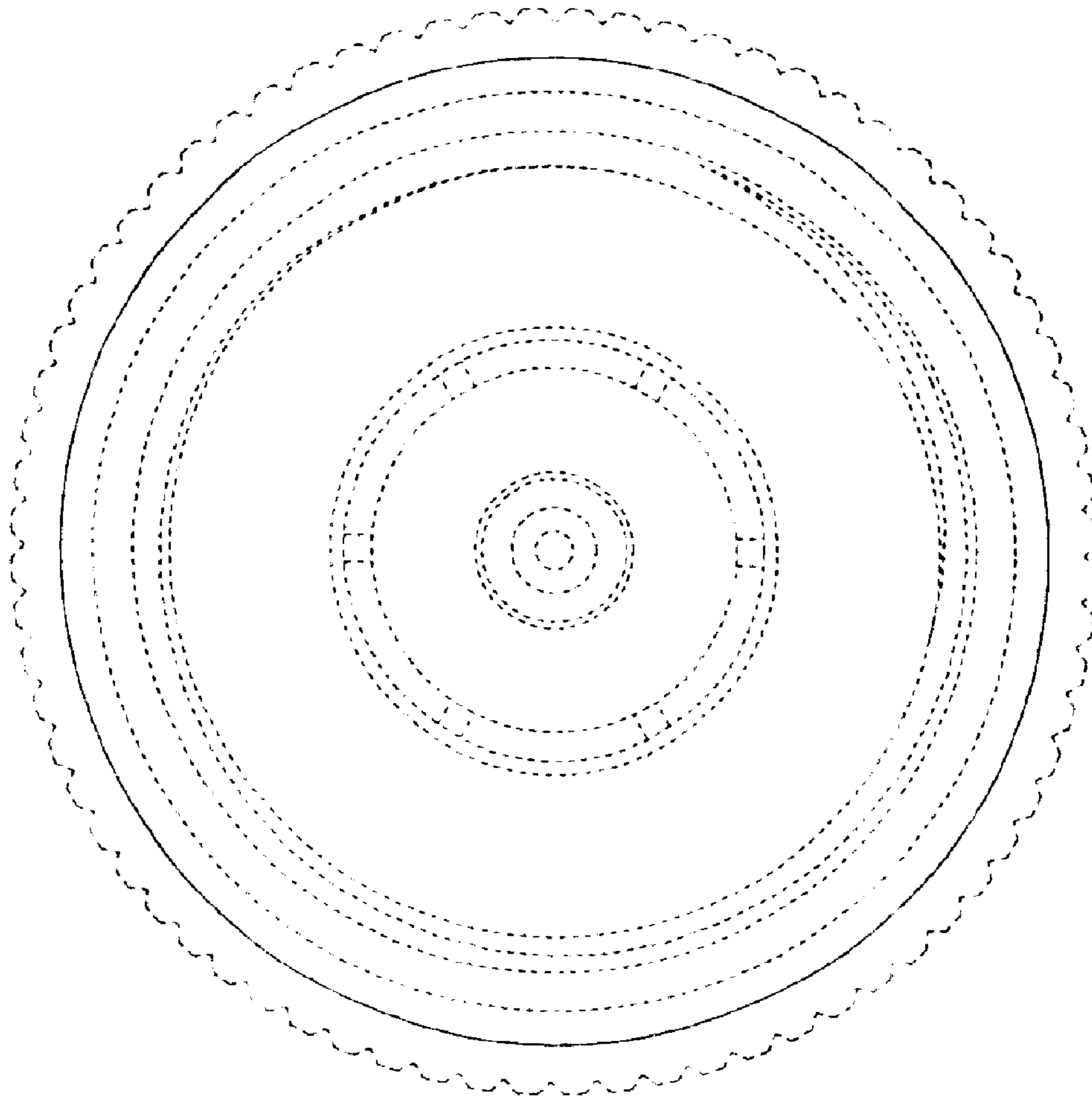


FIG. 3

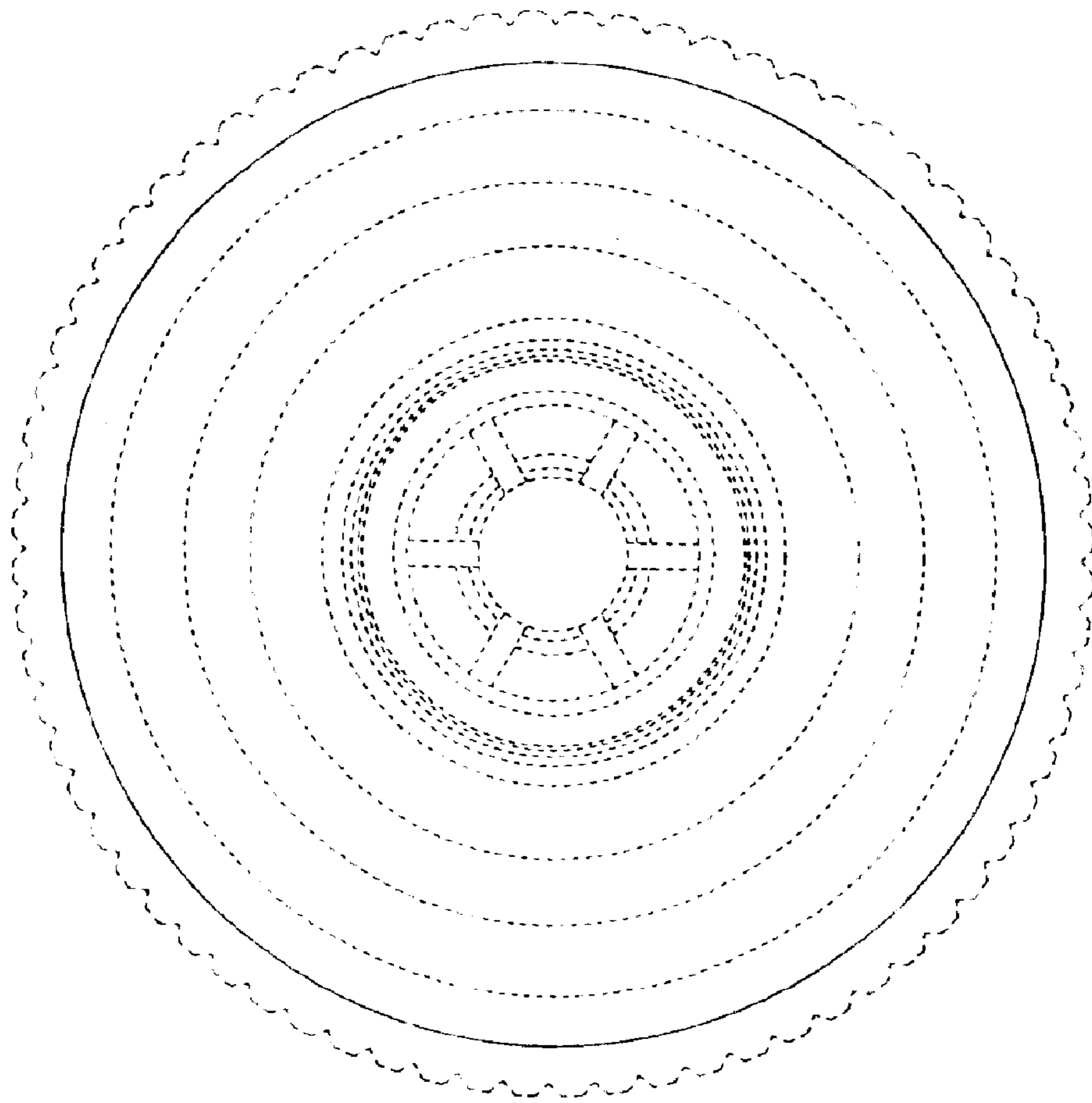


FIG. 4