



US00D506445S

(12) **United States Design Patent** (10) **Patent No.:** **US D506,445 S**  
**Mahoney** (45) **Date of Patent:** **\*\* Jun. 21, 2005**

(54) **HOUSING ASSEMBLY WITH GROUND WIRE CONNECTION**

(75) Inventor: **William G. Mahoney**, Suwanee, GA (US)

(73) Assignee: **Scientific-Atlanta, Inc.**, Lawrenceville, GA (US)

(\*\*) Term: **14 Years**

(21) Appl. No.: **29/204,788**

(22) Filed: **May 4, 2004**

(51) **LOC (8) Cl.** ..... **13-03**

(52) **U.S. Cl.** ..... **D13/154**

(58) **Field of Search** ..... D13/133, 154, D13/157, 146, 147; D14/217, 230, 299; 439/578, 535; 333/100; 174/52.1, 59, 65 R

(56) **References Cited**

**U.S. PATENT DOCUMENTS**

5,055,056	A	10/1991	Auclair et al.	439/98
5,182,696	A *	1/1993	Her	361/679
5,364,281	A	11/1994	Leto	439/100
5,756,935	A *	5/1998	Balanovsky et al.	174/52.1
D396,691	S *	8/1998	Shen	D13/147
D404,713	S *	1/1999	Hsiang	D13/147
D409,985	S *	5/1999	Hsiang	D13/151
D452,681	S *	1/2002	Inoue	D13/151
D452,850	S *	1/2002	Inoue	D13/151
2003/0094299	A1 *	5/2003	Lee	174/59

**OTHER PUBLICATIONS**

“Motorola Broadband Signal Splitter” Overview, Motorola.com website, Motorola, Inc., 2004, p. 1.

“Motorola Signal Booster” Overview, Motorola.com website, Motorola, Inc., 2004, p. 1.

\* cited by examiner

*Primary Examiner*—Alan P. Douglas

*Assistant Examiner*—Cynthia M. Chin

(74) *Attorney, Agent, or Firm*—Wm. Brook Lafferty

(57) **CLAIM**

The ornamental design for a housing assembly with ground wire connection, as shown and described.

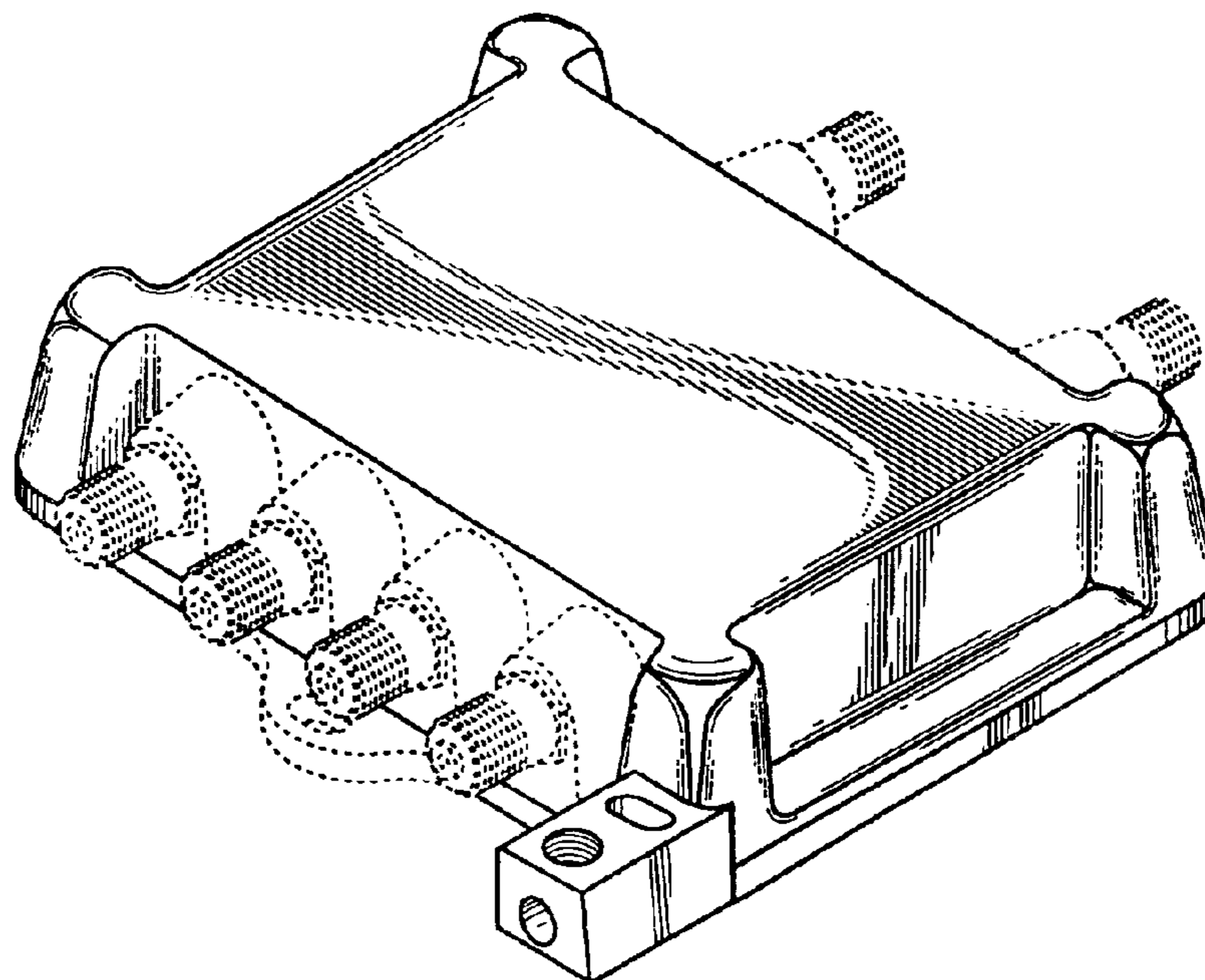
**DESCRIPTION**

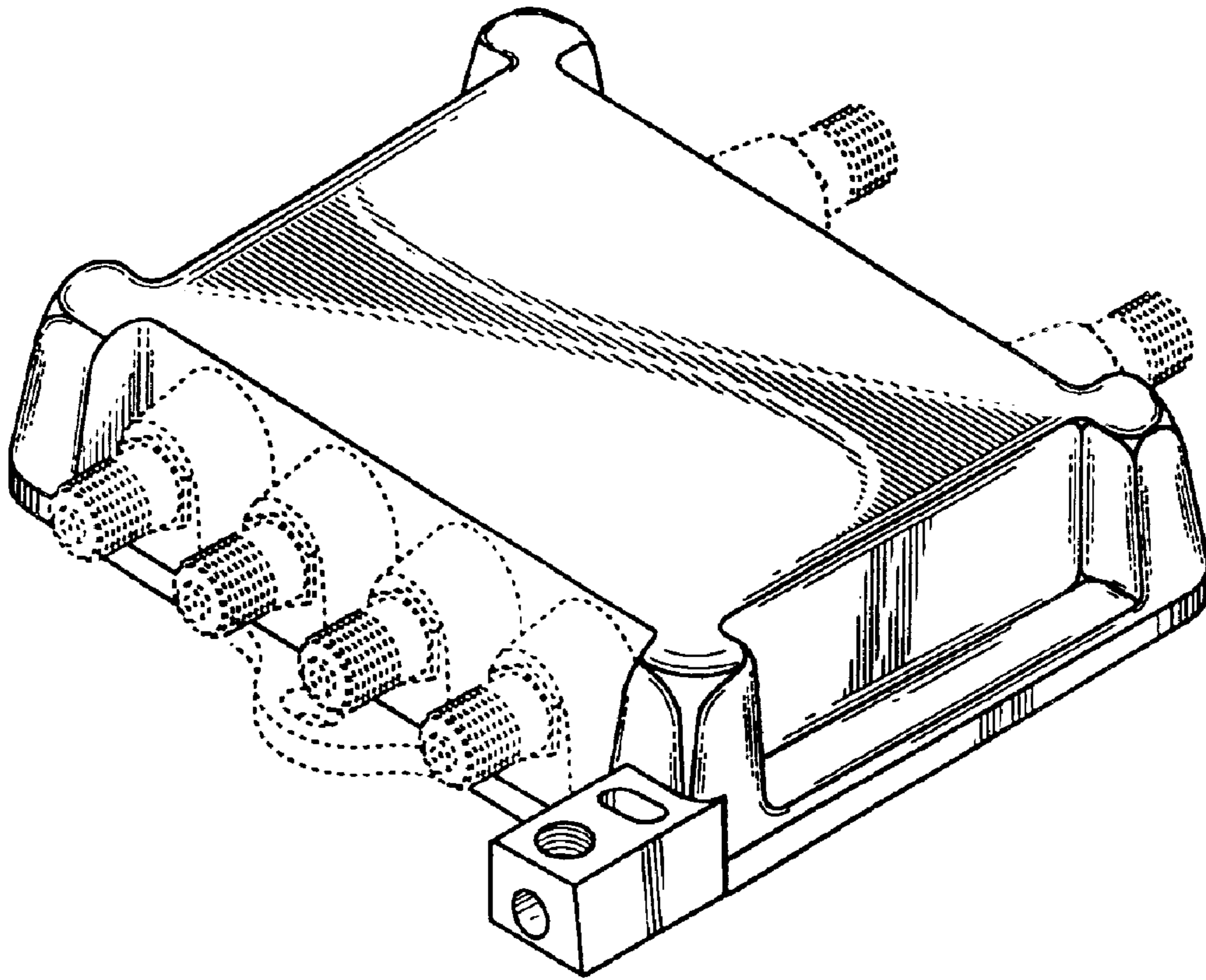
This design application is related to U.S. utility application Ser. No. 10/838,631 entitled “Indicator for Mounting Ground Wire”, U.S. utility application Ser. No. 10/838,630 entitled “Mounting Tabs Arrangement”, U.S. design application Ser. No. 29/204,749 entitled “Housing Assembly Surface Configuration”, and U.S. design application Ser. No. 29/204,750 entitled “Ground Wire Connection Portion”, all to the same inventor, which are incorporated herein by reference, and having been filed concurrently with the present design application.

FIG. 1 is a perspective view of a new housing assembly with ground wire connection according to the present invention; FIG. 2 is a front view of the design shown in FIG. 1; FIG. 3 is a rear view of the design shown in FIG. 1; FIG. 4 is a left side view of the design shown in FIG. 1; FIG. 5 is a right side view of the design shown in FIG. 1; FIG. 6 is a top view of the design shown in FIG. 1; and, FIG. 7 is a bottom view of the design shown in FIG. 1.

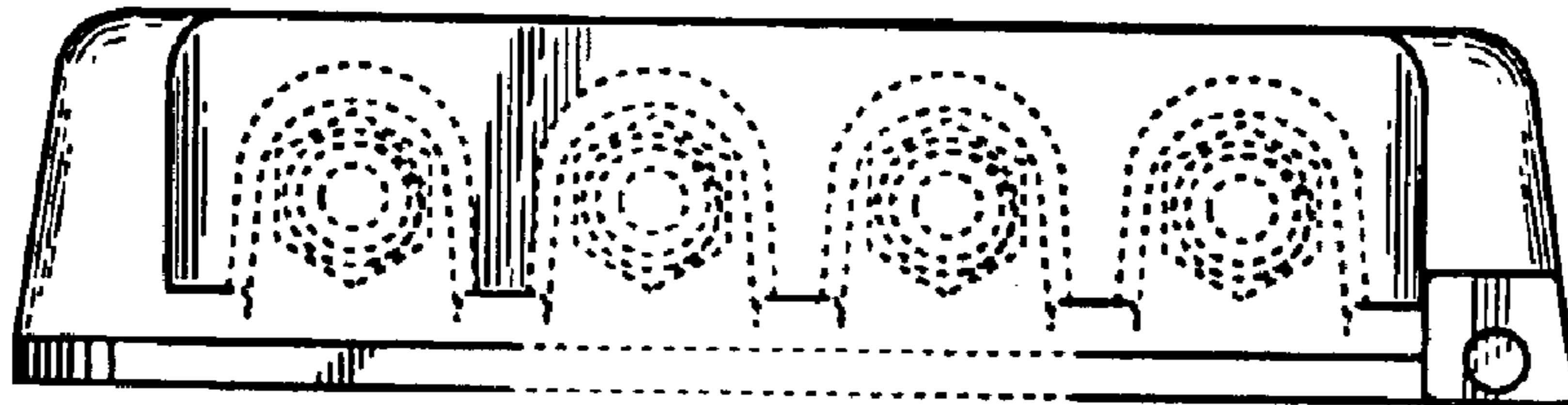
The broken lines in the drawings are for illustrative purposes only and form no part of the claimed design.

**1 Claim, 3 Drawing Sheets**

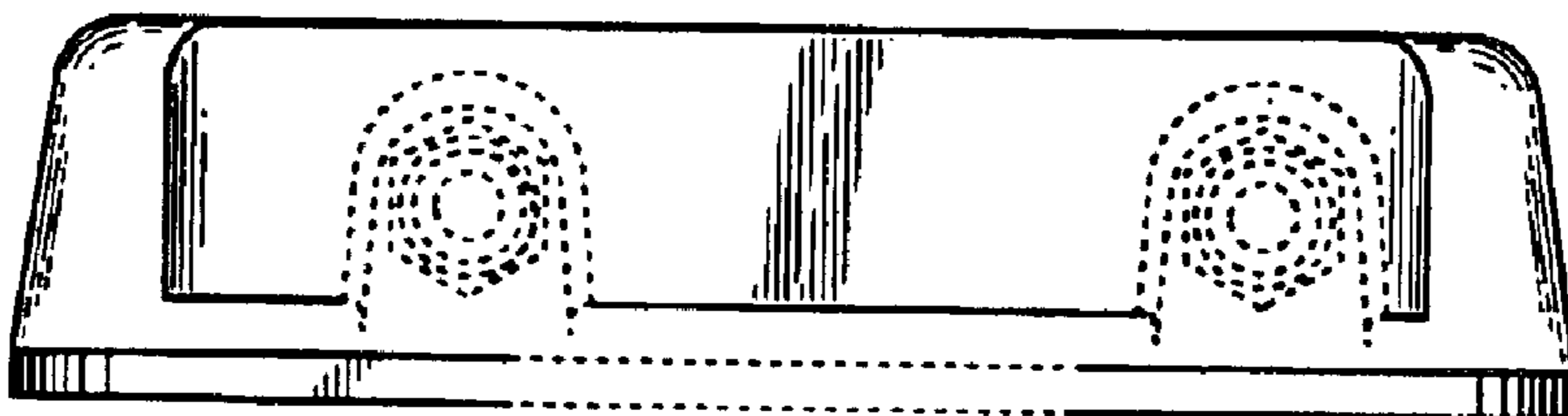




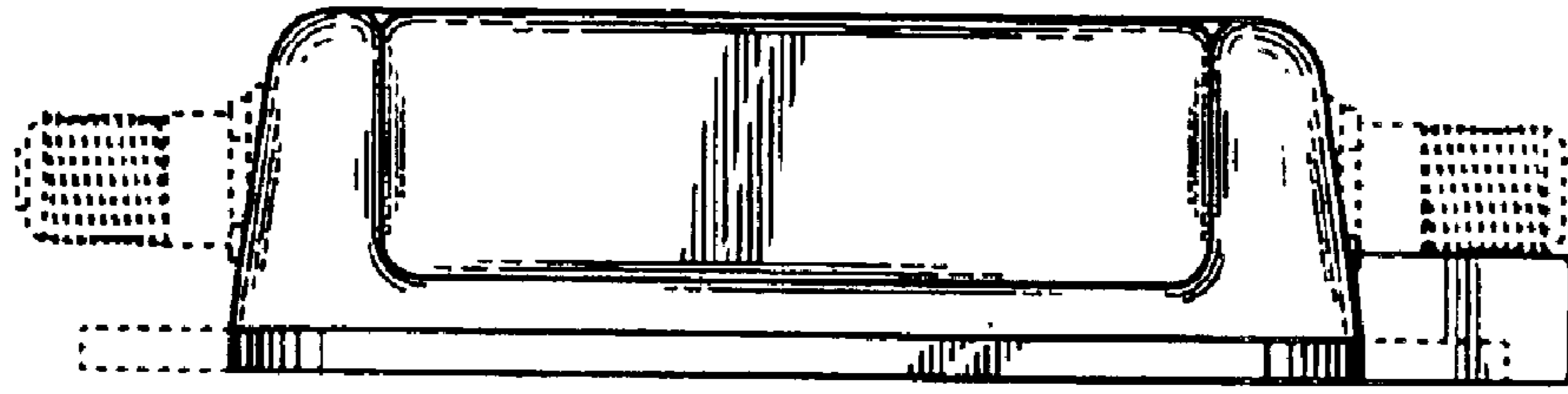
*Fig. 1*



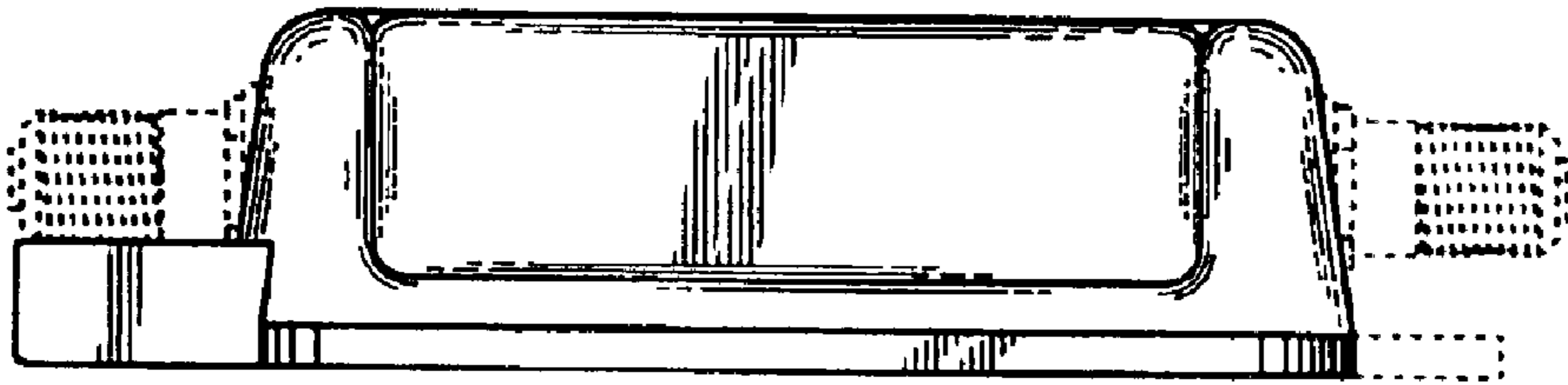
*Fig. 2*



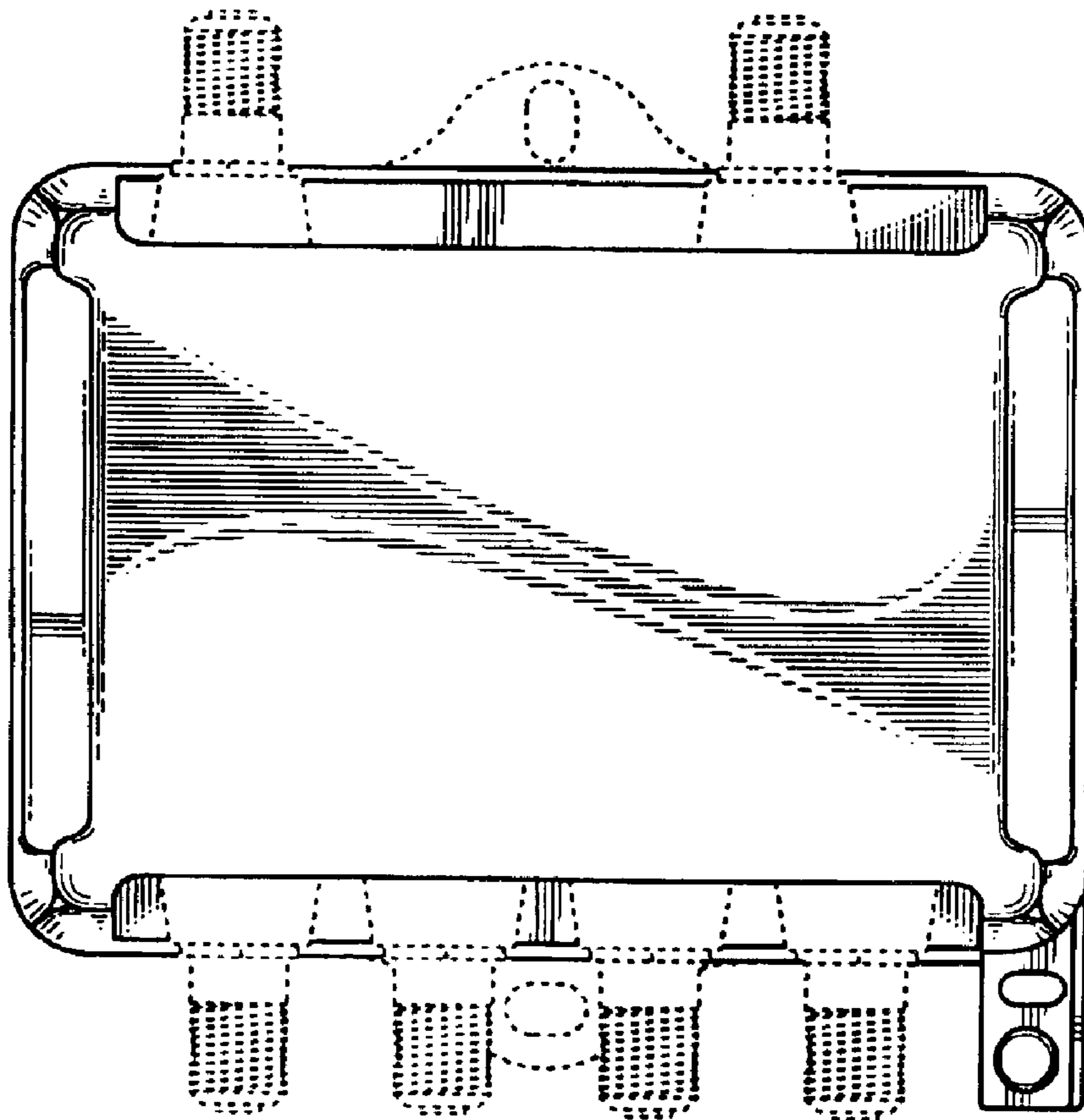
*Fig. 3*



*Fig. 4*

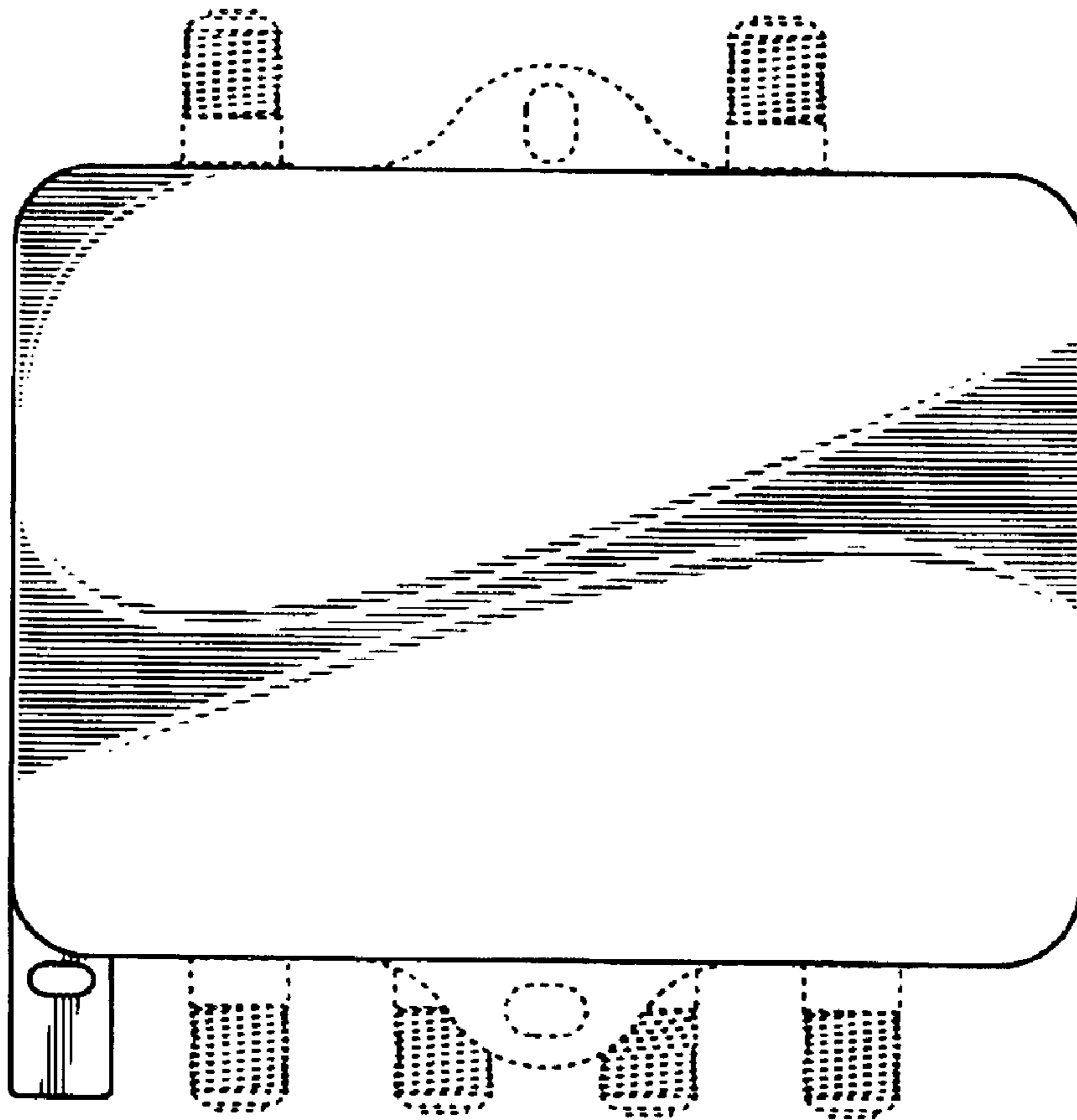


*Fig. 5*



*Fig. 6*





*Fig. 1*