

US00D506444S

(12) **United States Design Patent**
Nakamura

(10) **Patent No.:** **US D506,444 S**
(45) **Date of Patent:** **** Jun. 21, 2005**

(54) **ELECTRICAL CONDUIT**

(75) **Inventor:** **Toshinobu Nakamura, Tokyo (JP)**

(73) **Assignee:** **Shinagawa Shoko Co., Ltd., Tokyo (JP)**

(**) **Term:** **14 Years**

(21) **Appl. No.:** **29/203,164**

(22) **Filed:** **Apr. 8, 2004**

(51) **LOC (8) Cl.** **13-03**

(52) **U.S. Cl.** **D13/153**

(58) **Field of Search** **D13/152-155;**
174/36, 68, 71, 83, 99, 135, 136; 29/825,
869; 138/128, 166

(56) **References Cited**

U.S. PATENT DOCUMENTS

6,034,329 A * 3/2000 Kawamura 174/102 R
6,488,053 B1 * 12/2002 Tadokoro 138/156
D489,336 S * 5/2004 Kitamura D13/153

6,740,818 B2 * 5/2004 Clark 174/135

* cited by examiner

Primary Examiner—Alan P. Douglas

(74) *Attorney, Agent, or Firm*—Frishauf, Holtz, Goodman & Chick, P.C.

(57) **CLAIM**

The ornamental design for an electrical conduit, as shown and described.

DESCRIPTION

FIG. 1 is a perspective view of my new design for an electrical conduit, shown broken away as being of indeterminate length and extendable in both directions;

FIG. 2 is a front view thereof;

FIG. 3 is a rear view thereof;

FIG. 4 is a top plan view thereof;

FIG. 5 is a bottom view thereof;

FIG. 6 is a right side view thereof;

FIG. 7 is a left side view thereof; and,

FIG. 8 is a sectional view thereof, taken on line 8—8 in FIG. 4.

1 Claim, 4 Drawing Sheets

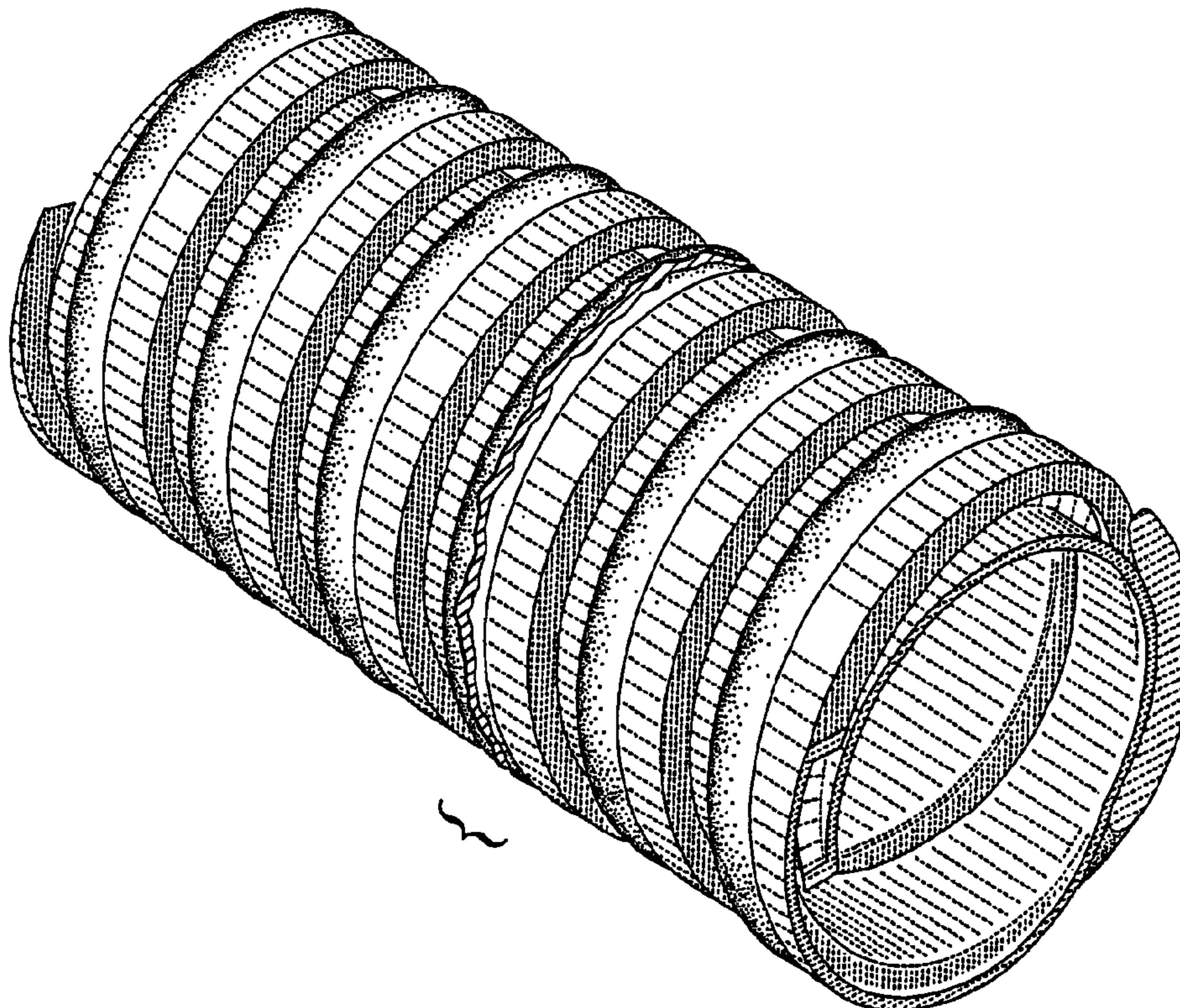


FIG. 1

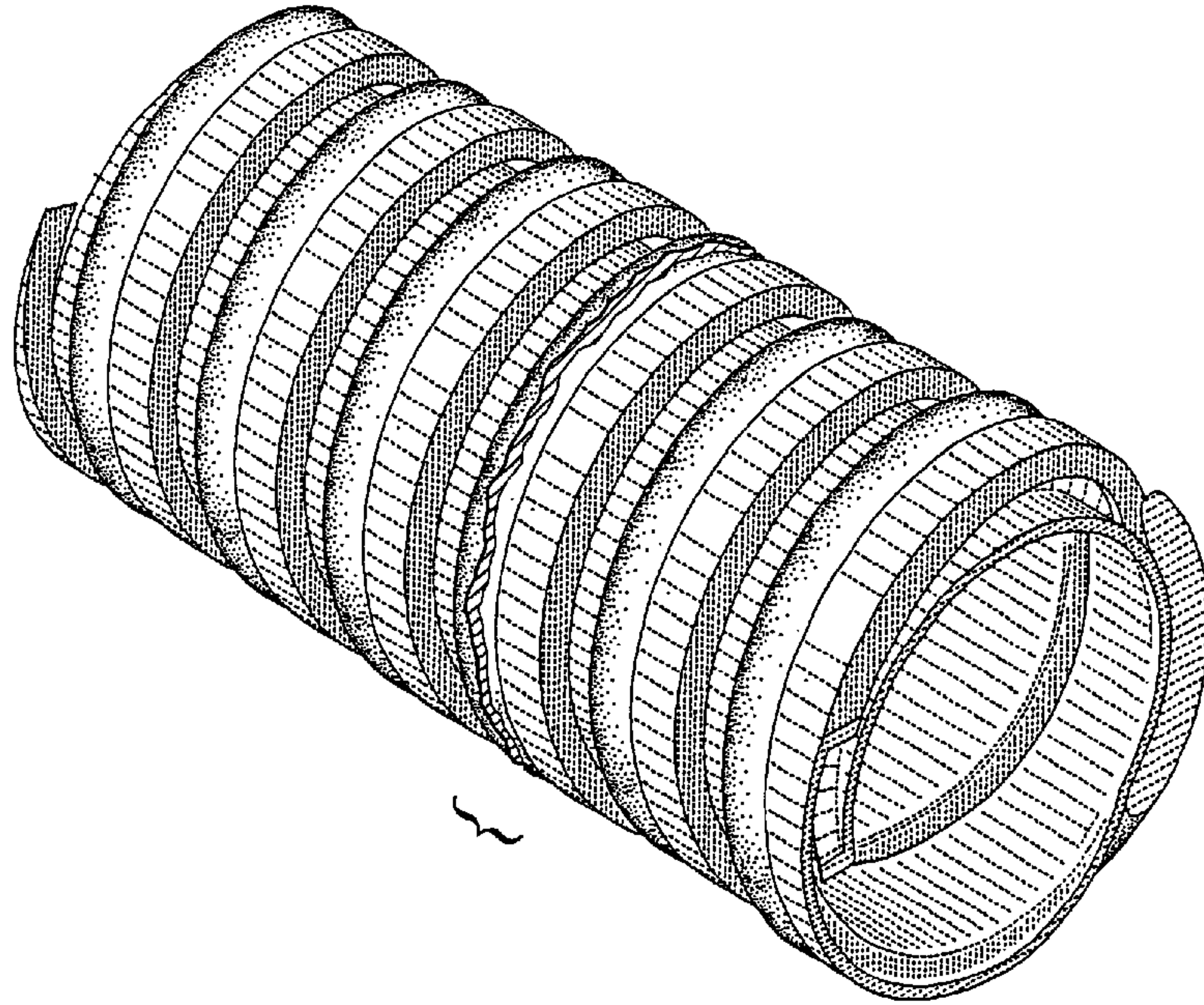


FIG. 8

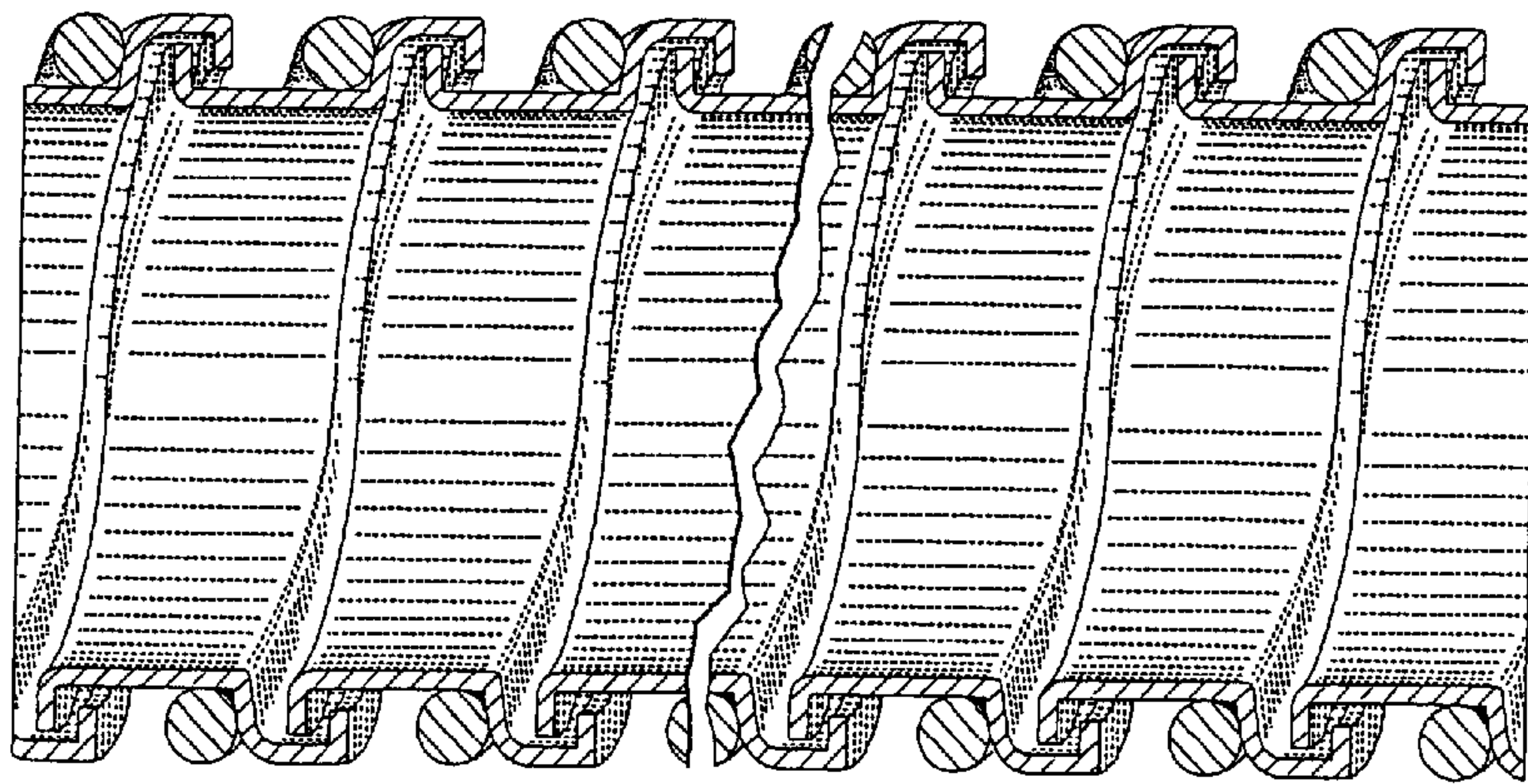


FIG. 2

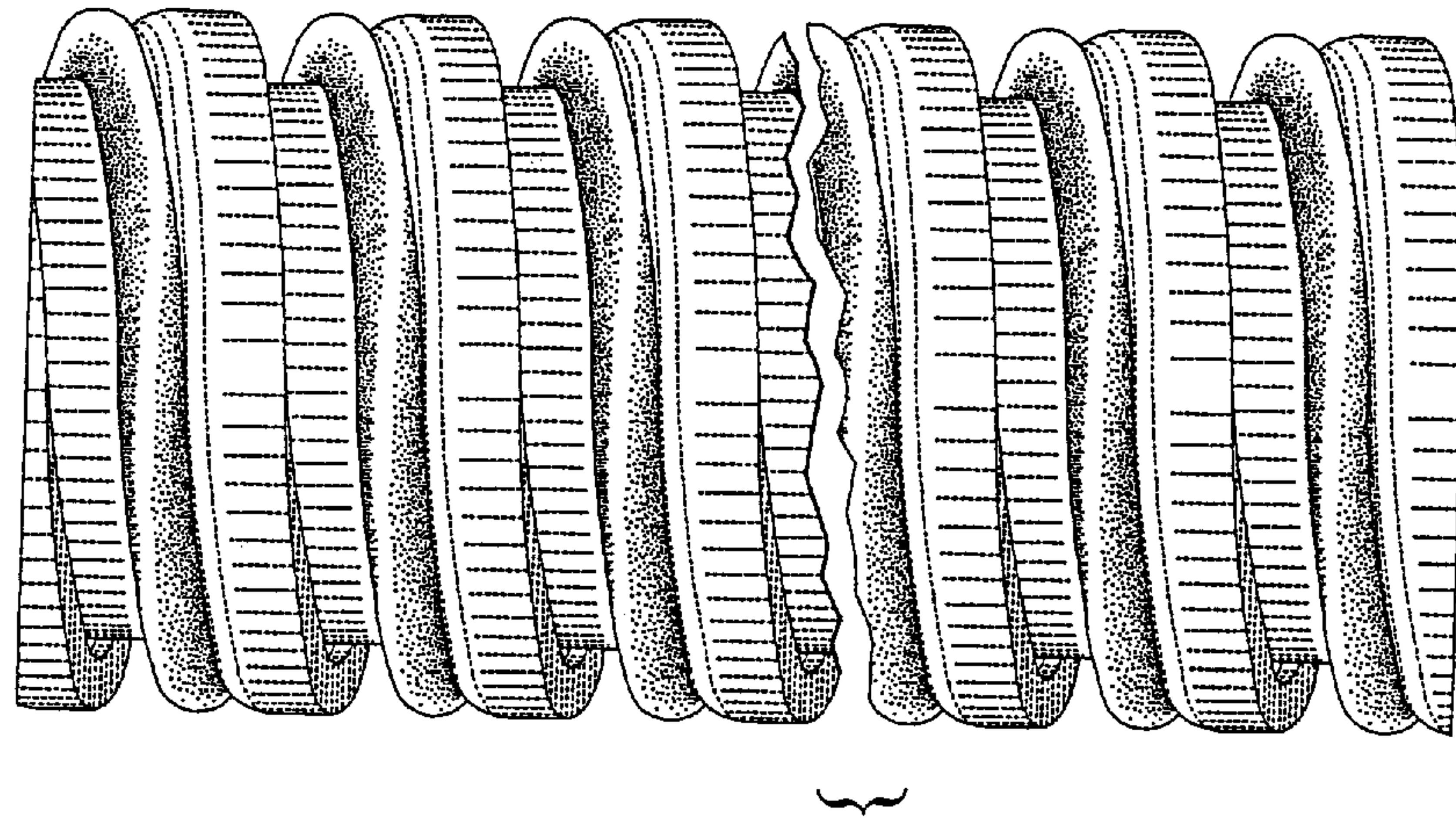


FIG. 3

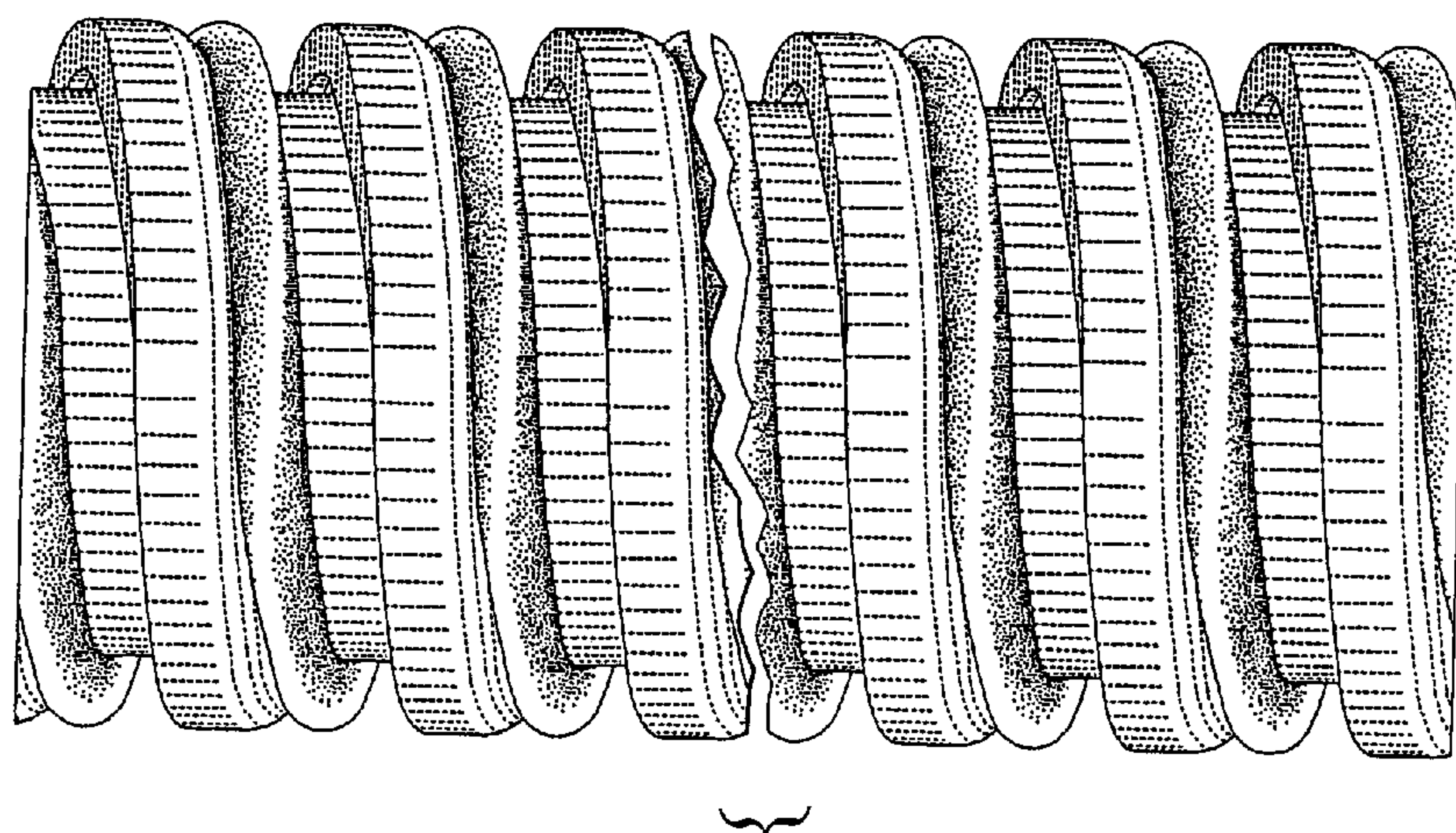


FIG. 4

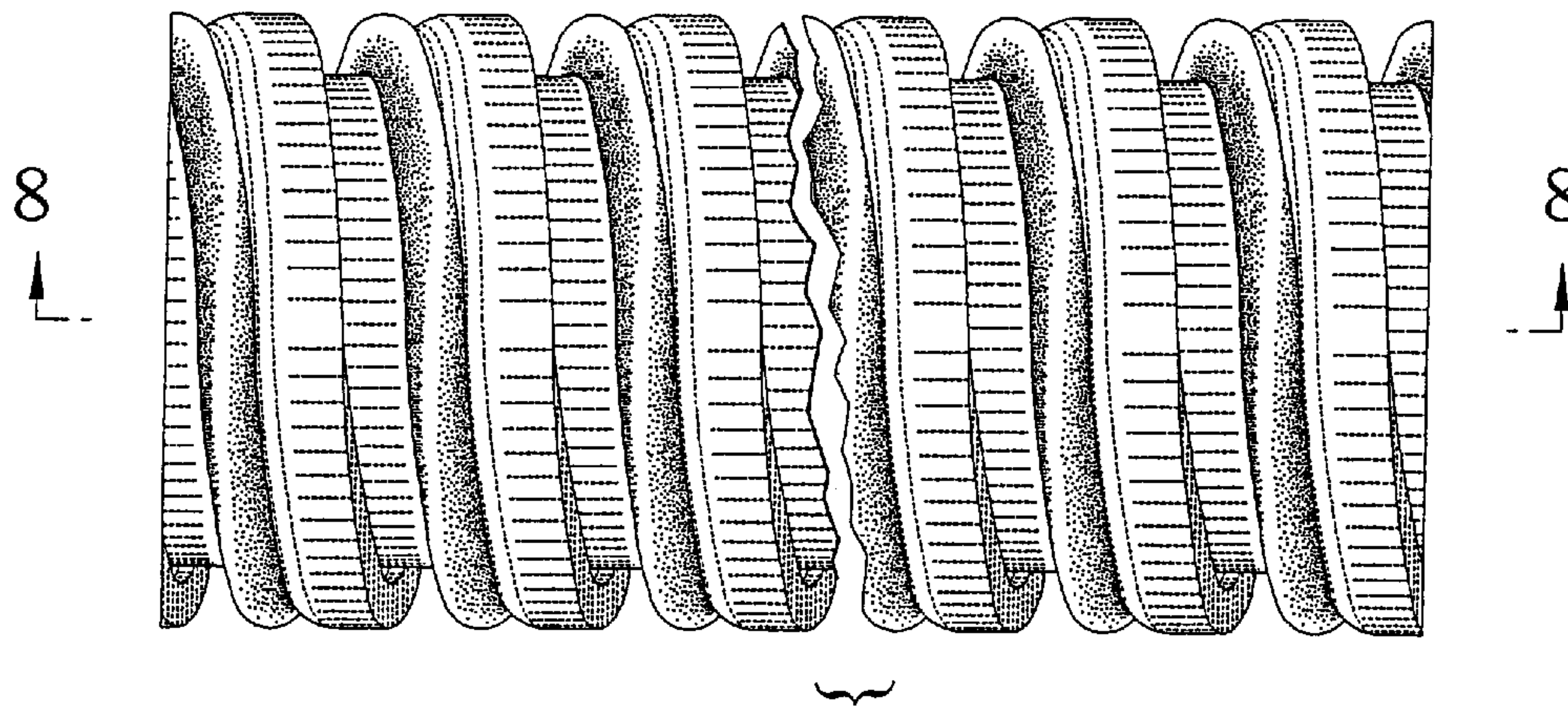


FIG. 5

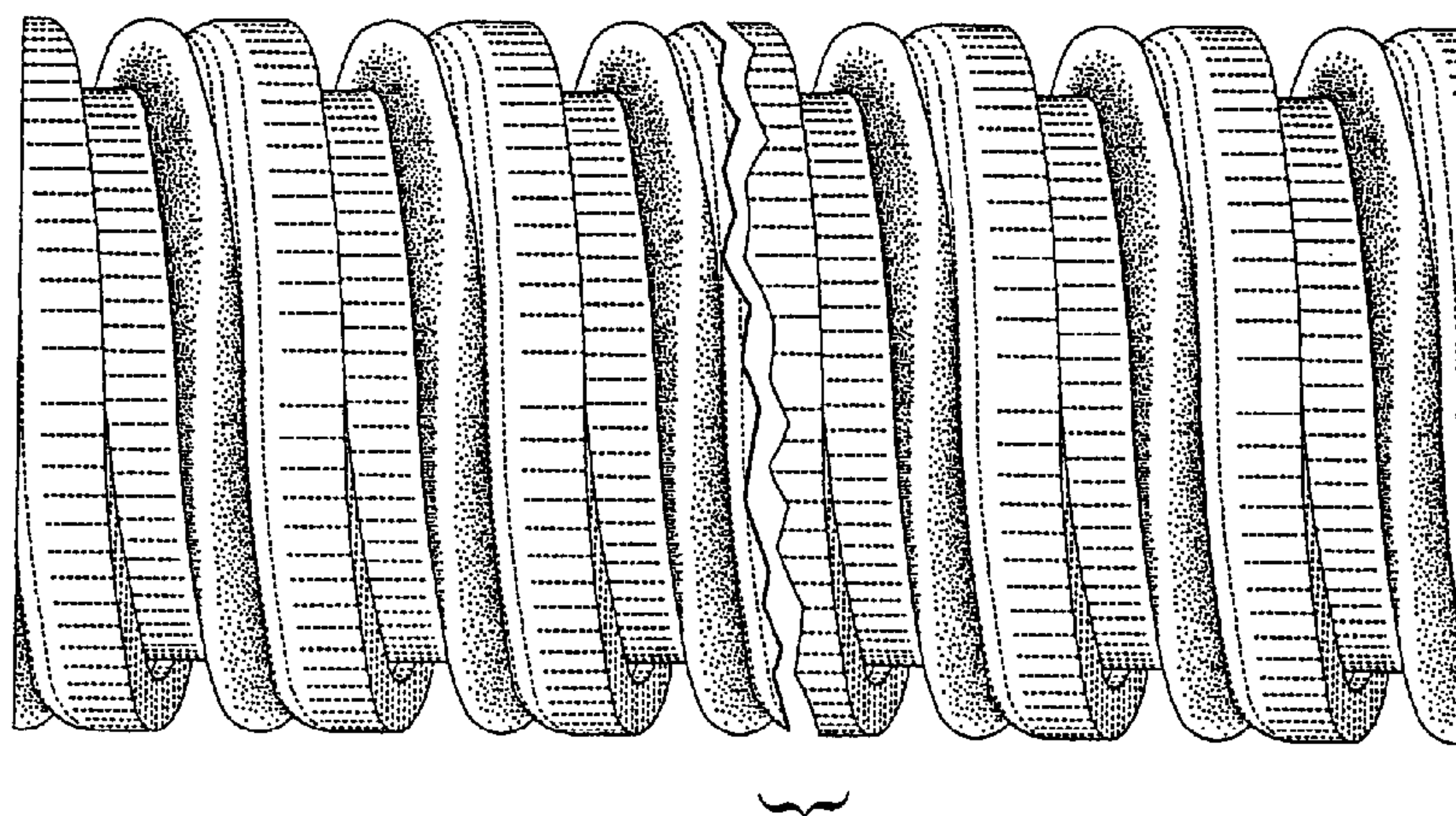


FIG. 6

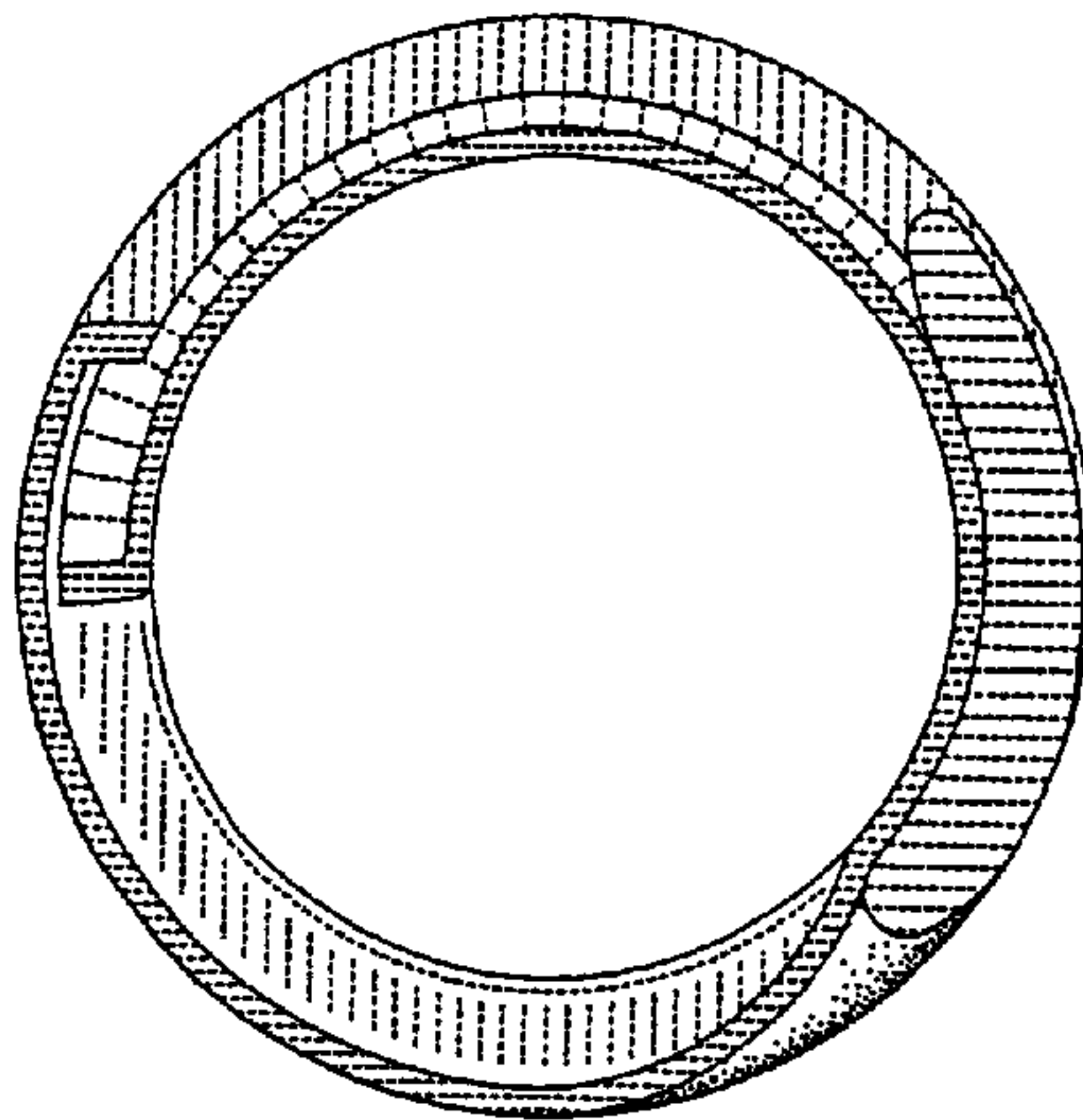


FIG. 7

