

US00D506443S

(12) **United States Design Patent**
Moritake

(10) **Patent No.:** **US D506,443 S**
(45) **Date of Patent:** **** Jun. 21, 2005**

(54) **ELECTRICAL CONNECTOR**

D491,528 S * 6/2004 Fan D13/147

(75) Inventor: **Toshiyuki Moritake**, Tokyo (JP)

* cited by examiner

(73) Assignee: **Japan Aviation Electronics Industry, Limited**, Tokyo (JP)

Primary Examiner—Stella Reid
Assistant Examiner—Daniel Bui

(**) Term: **14 Years**

(74) *Attorney, Agent, or Firm*—Collard & Roe, P.C.

(21) Appl. No.: **29/208,268**

(57) **CLAIM**

(22) Filed: **Jun. 25, 2004**

The ornamental design for an electrical connector, as shown and described.

(30) **Foreign Application Priority Data**

DESCRIPTION

Dec. 26, 2003 (JP) 2003-039261

(51) **LOC (8) Cl.** **13-03**

FIG. 1 is a front, top, and right side perspective view of an electrical connector;

(52) **U.S. Cl.** **D13/147**

FIG. 2 is a front elevational view thereof;

(58) **Field of Search** D13/123, 133,

FIG. 3 is a top plan view thereof;

D13/146, 147, 184, 199; 439/74, 79, 83,
108, 181, 607–610, 637, 660, 638, 910

FIG. 4 is a bottom plan view thereof;

(56) **References Cited**

FIG. 5 is a rear elevational view thereof;

U.S. PATENT DOCUMENTS

D409,981 S * 5/1999 Wu D13/147

FIG. 6 is a right side elevational view thereof;

D456,011 S * 4/2002 Shi et al. D13/147

FIG. 7 is a left side elevational view thereof;

6,565,390 B2 * 5/2003 Wu 439/680

FIG. 8 is a rear, bottom, and left side perspective view thereof;

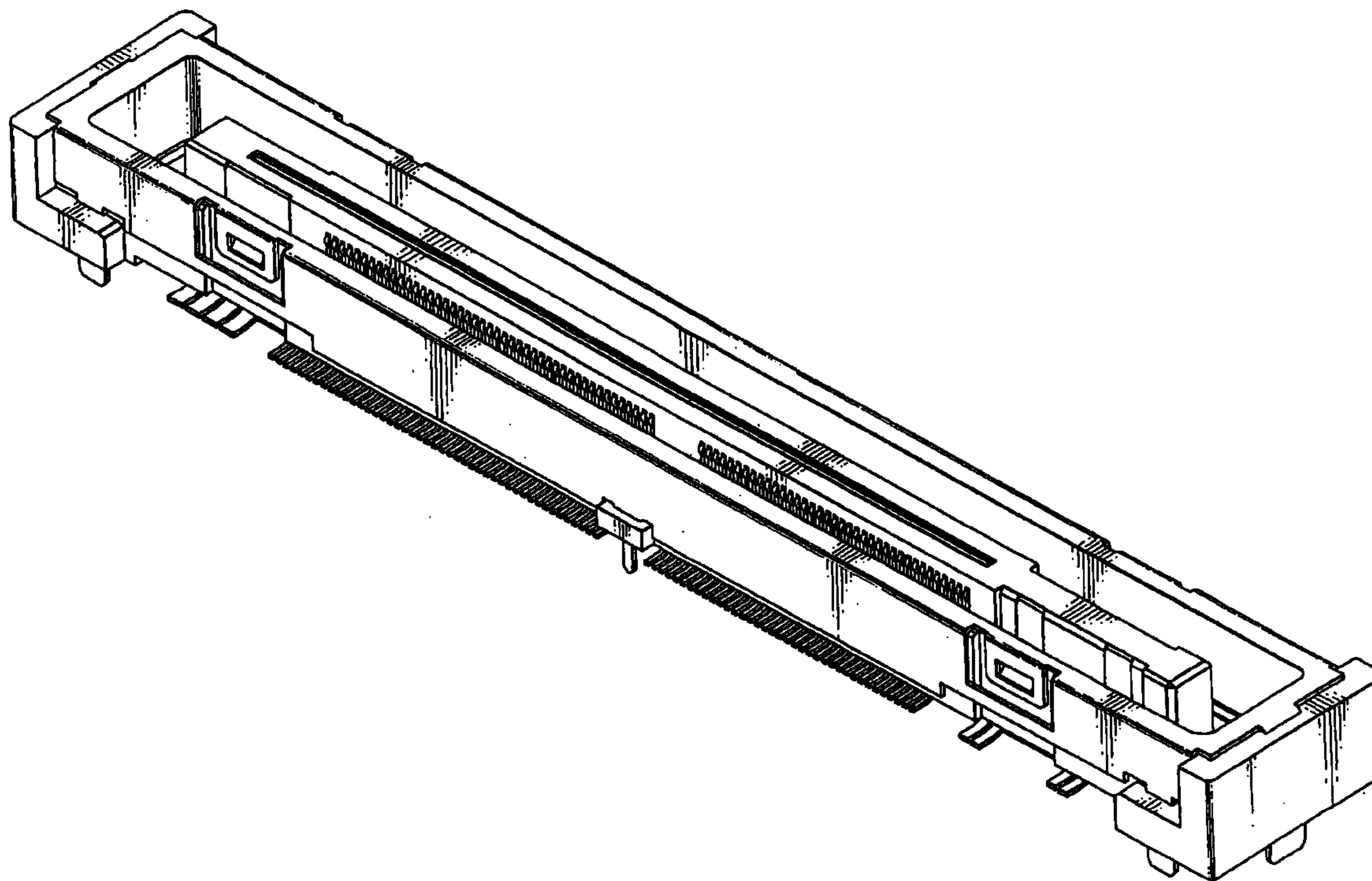
D489,687 S * 5/2004 Kawase et al. D13/147

FIG. 9 is a sectional view taken along a line IX—IX of FIG. 2; and,

D491,527 S * 6/2004 Fan D13/147

FIG. 10 is a sectional view taken along a line X—X of FIG. 2.

1 Claim, 5 Drawing Sheets



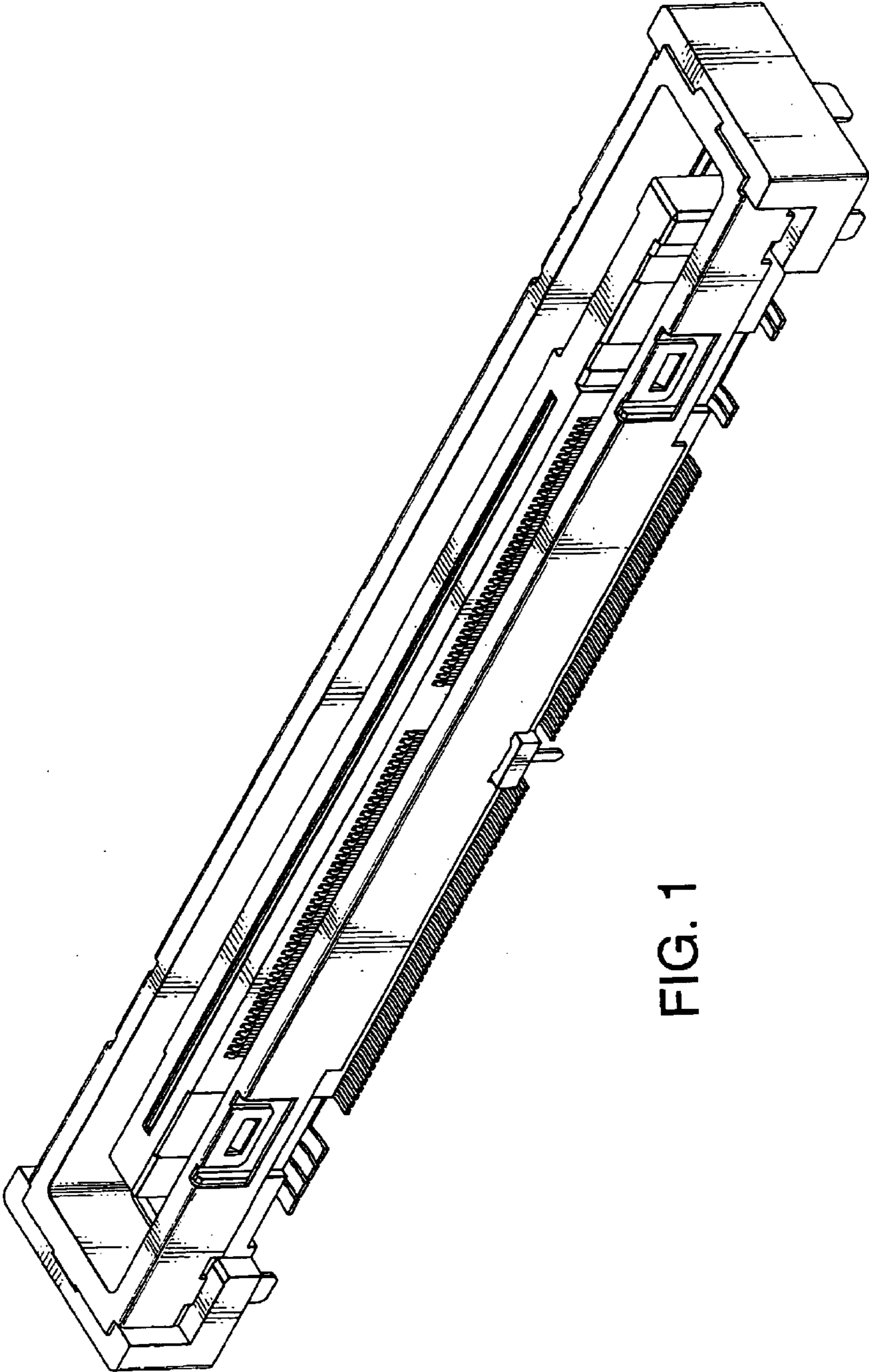


FIG. 1

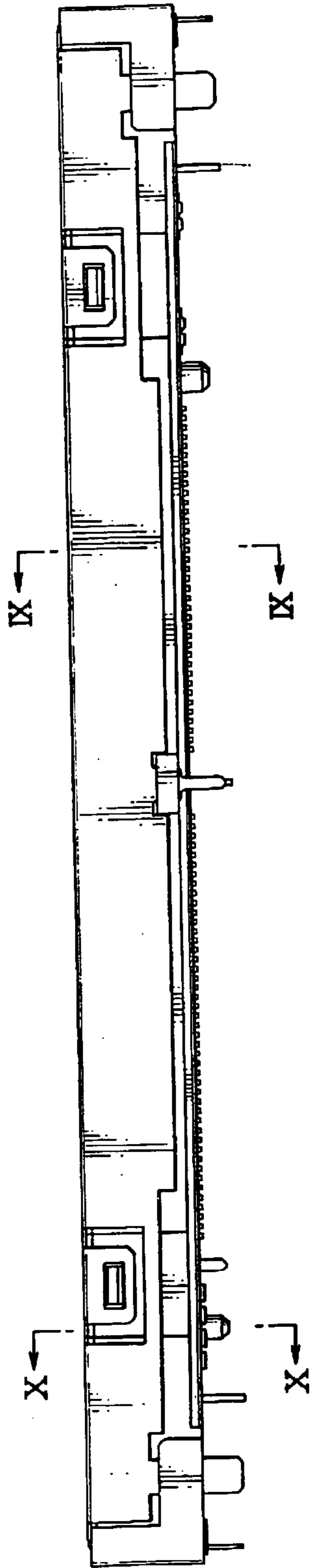


FIG. 2

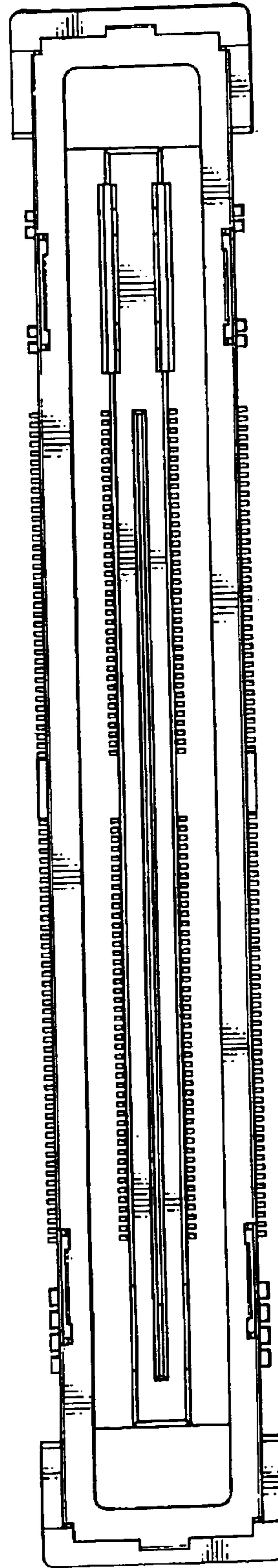


FIG. 3

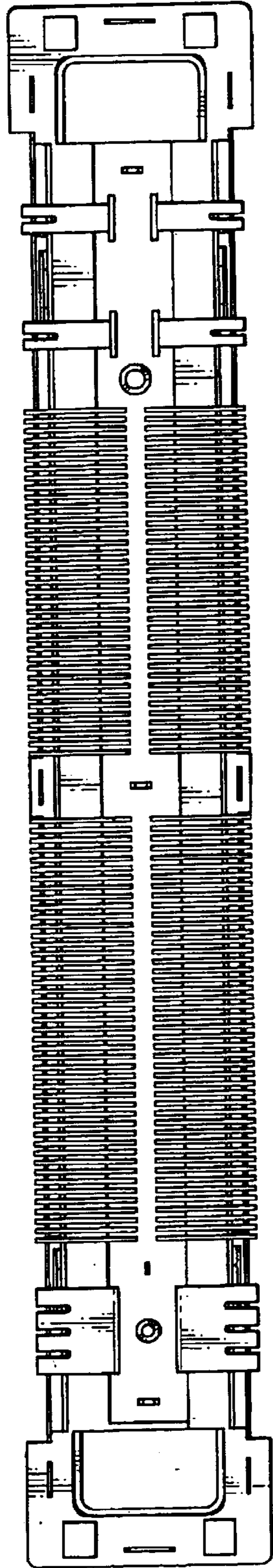


FIG. 4

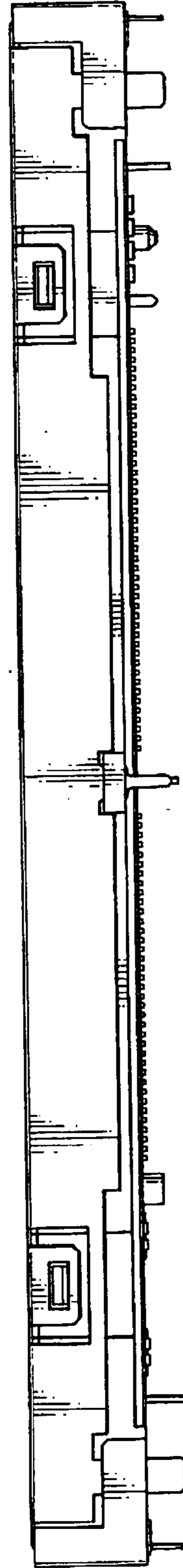


FIG. 5

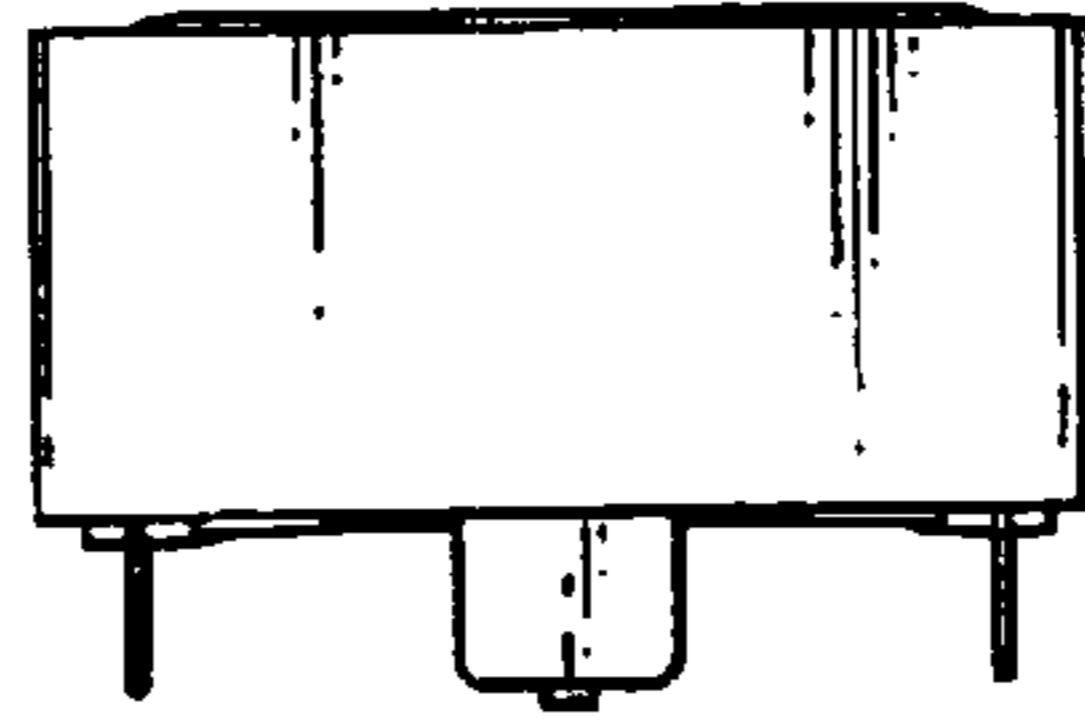


FIG. 6

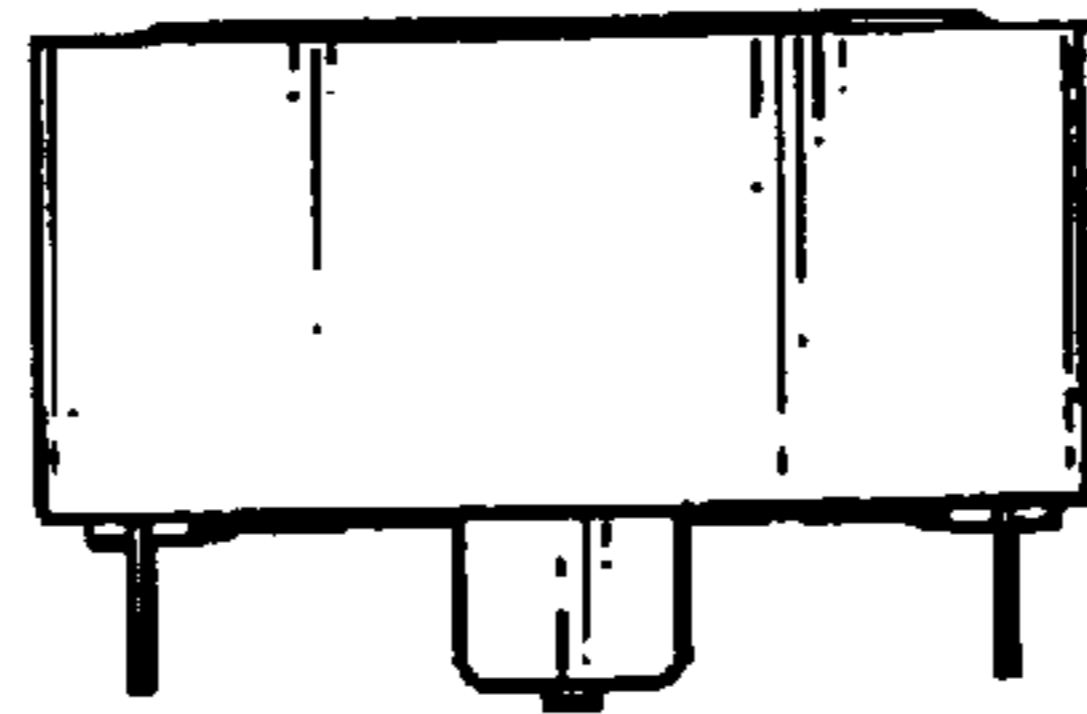


FIG. 7

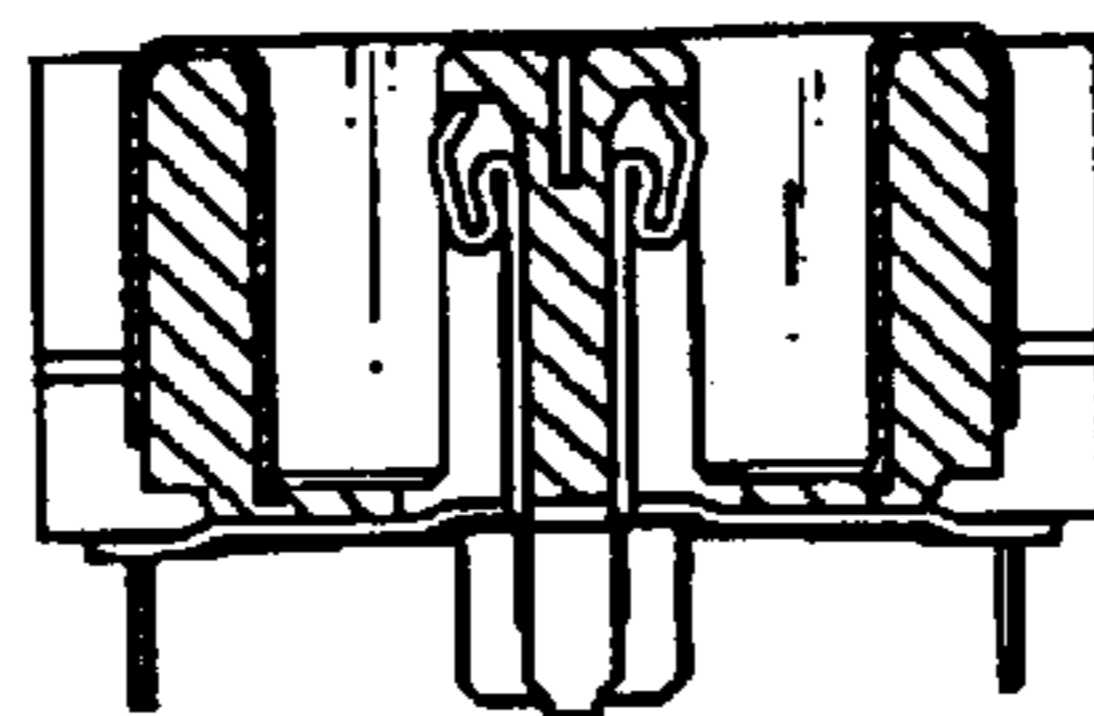


FIG. 9

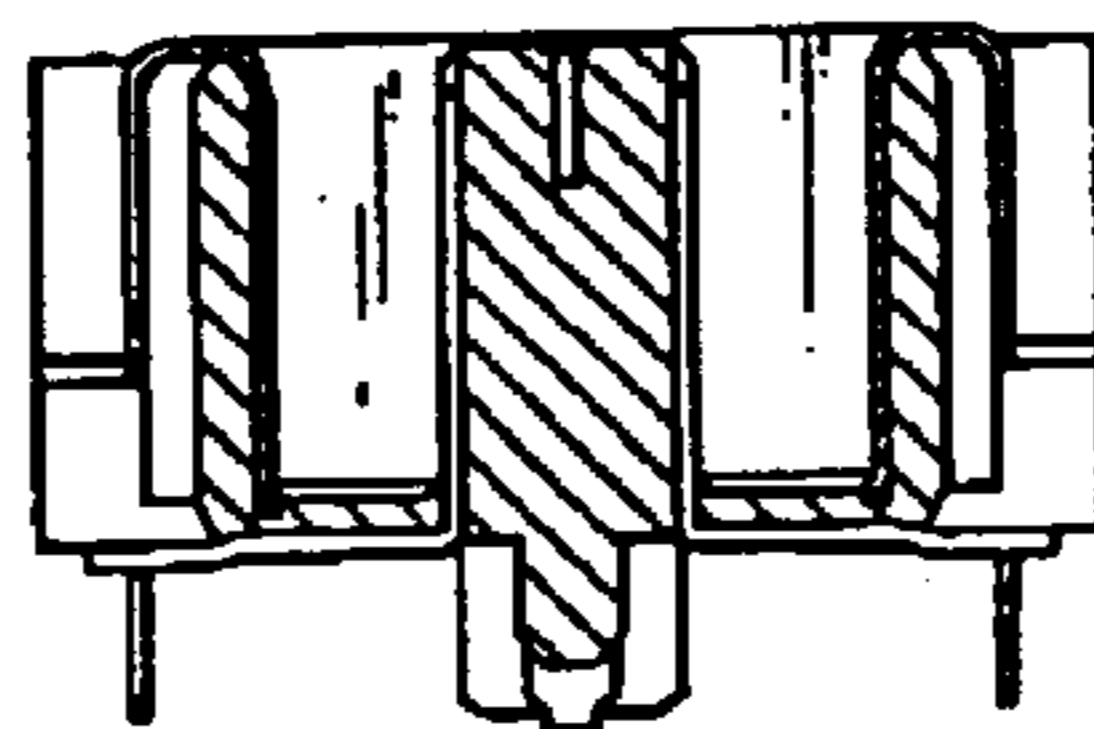


FIG. 10

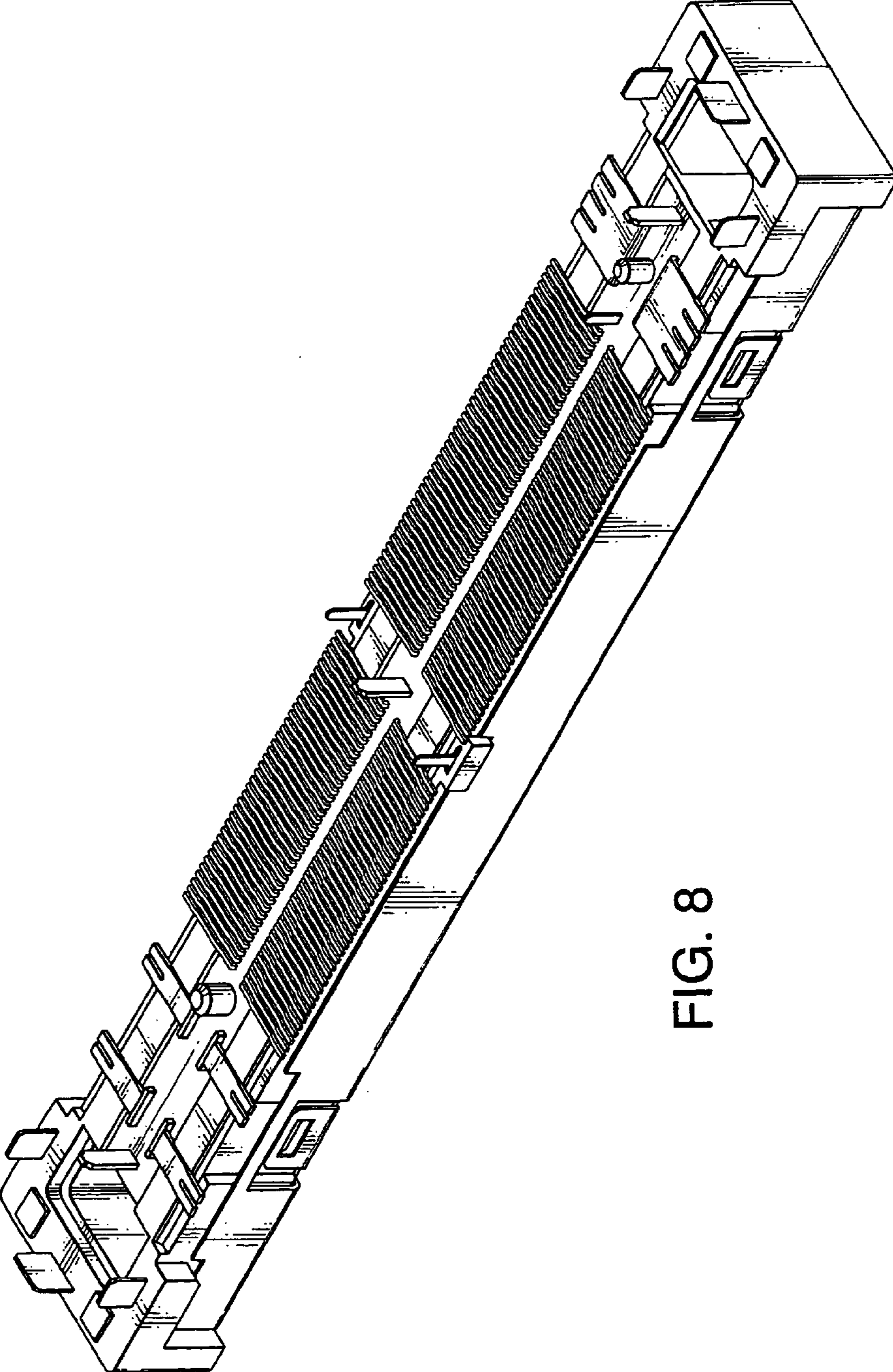


FIG. 8