

US00D506442S

(12) **United States Design Patent**
Obikane et al.

(10) **Patent No.: US D506,442 S**
(45) **Date of Patent: ** Jun. 21, 2005**

(54) **ELECTRICAL CONNECTOR**

(75) Inventors: **Hiroaki Obikane**, Tokyo (JP);
Hidenobu Takahashi, Tokyo (JP)

(73) Assignee: **Japan Aviation Electronics Industry, Limited**, Tokyo (JP)

(**) Term: **14 Years**

(21) Appl. No.: **29/205,130**

(22) Filed: **May 10, 2004**

(30) **Foreign Application Priority Data**

Nov. 12, 2003 (JP) 2003-037071

(51) **LOC (8) Cl.** **13-03**

(52) **U.S. Cl.** **D13/147**

(58) **Field of Search** D13/123, 133,
D13/146, 147, 184, 199; 439/74, 79, 83,
108, 181, 607-610, 637, 660, 638, 910

(56) **References Cited**

U.S. PATENT DOCUMENTS

6,033,238 A * 3/2000 Fogg et al. 439/108
D451,884 S * 12/2001 Hisatomi et al. D13/147
D471,522 S * 3/2003 Azuma D13/147
6,634,894 B1 * 10/2003 Ko 439/108

6,663,402 B1 * 12/2003 Yu 439/108
D485,532 S * 1/2004 Lai D13/147
D499,378 S * 12/2004 Lee et al. D13/147
2003/0176110 A1 * 9/2003 Wu et al. 439/660
2004/0023537 A1 * 2/2004 Sasame et al. 439/181

* cited by examiner

Primary Examiner—Stella Reid
Assistant Examiner—Daniel Bui
(74) *Attorney, Agent, or Firm*—Collard & Roe, P.C.

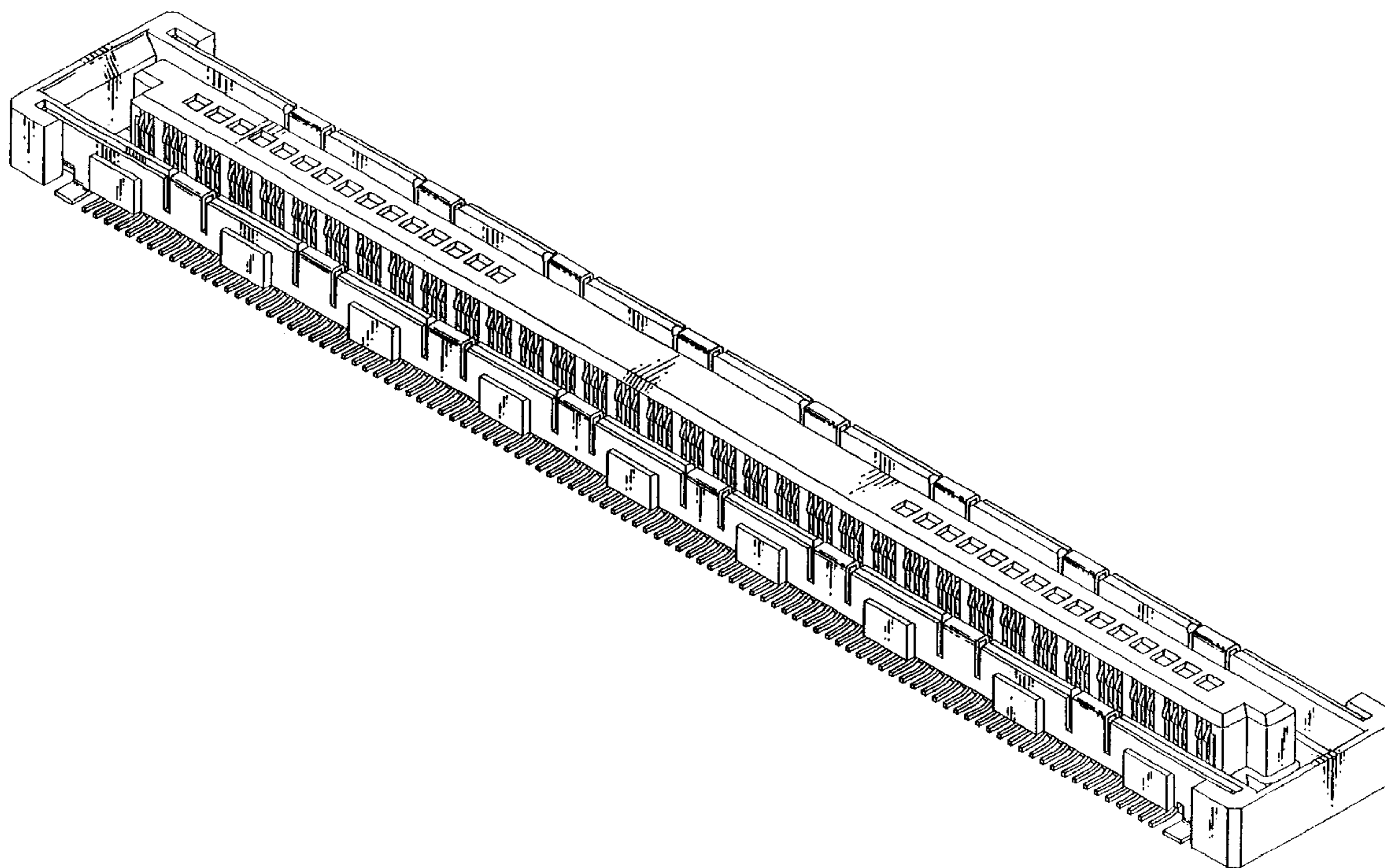
(57) **CLAIM**

The ornamental design for an electrical connector, as shown and described.

DESCRIPTION

FIG. 1 is a front, top, and right side perspective view of an electrical connector;
FIG. 2 is a front elevational view thereof;
FIG. 3 is a rear elevational view thereof;
FIG. 4 is a top plan view thereof;
FIG. 5 is a bottom plan view thereof;
FIG. 6 is a left side elevational view thereof;
FIG. 7 is a right side elevational view thereof; and,
FIG. 8 is a sectional view taken along a line VIII—VIII in FIG. 2.

1 Claim, 4 Drawing Sheets



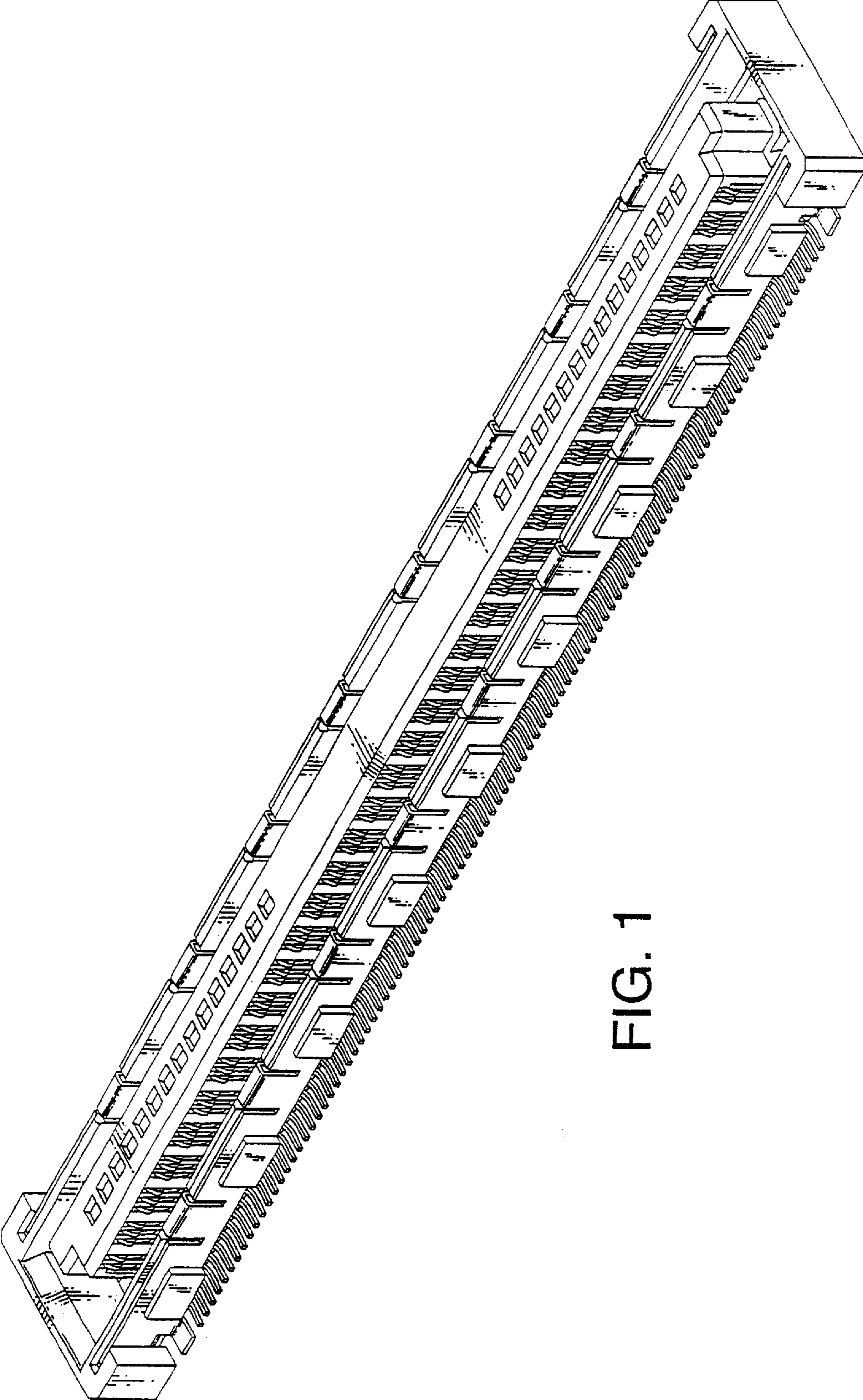


FIG. 1

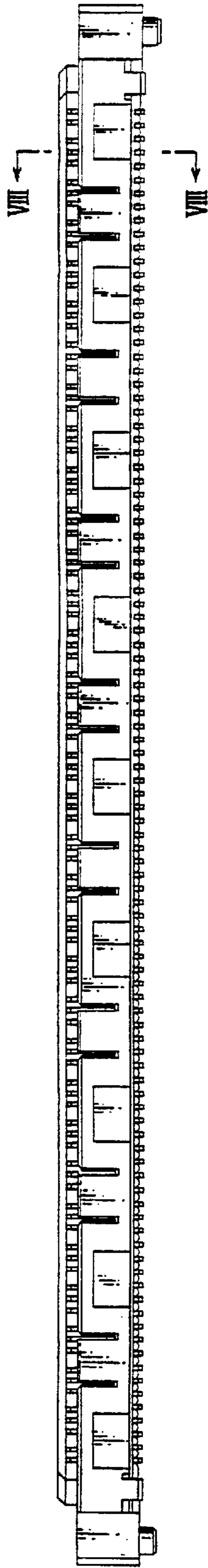


FIG. 2

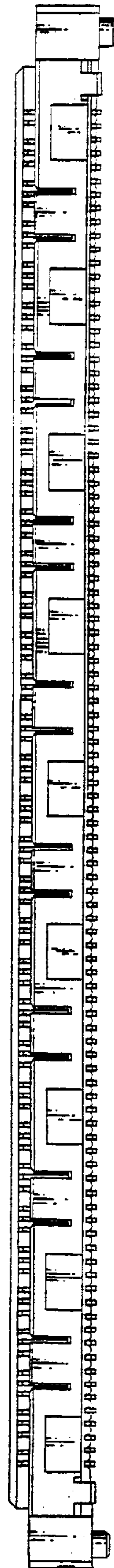


FIG. 3

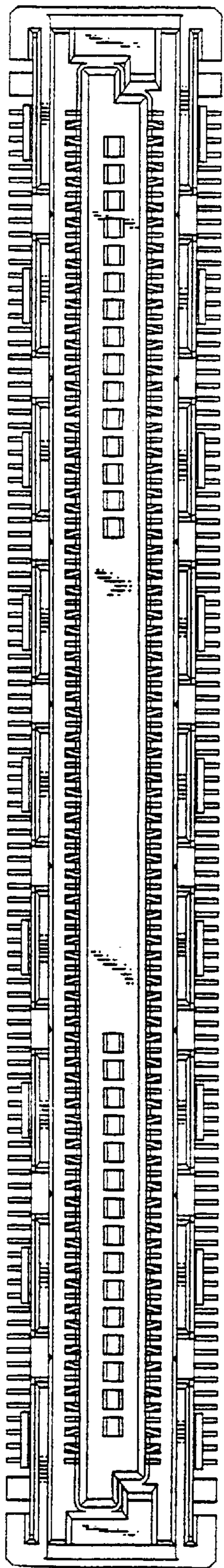


FIG. 4

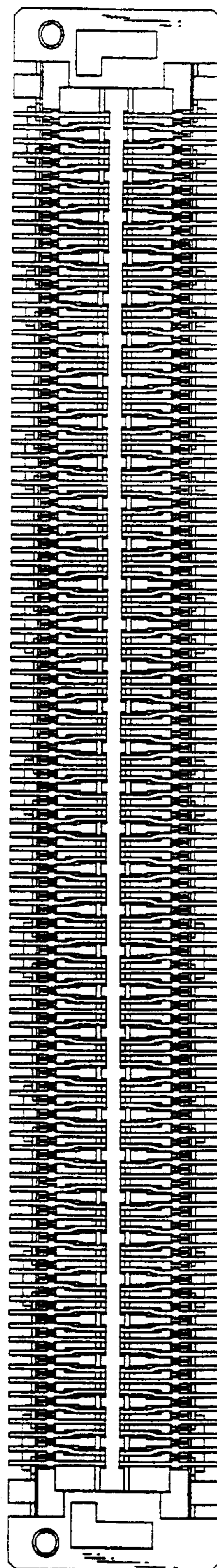


FIG. 5

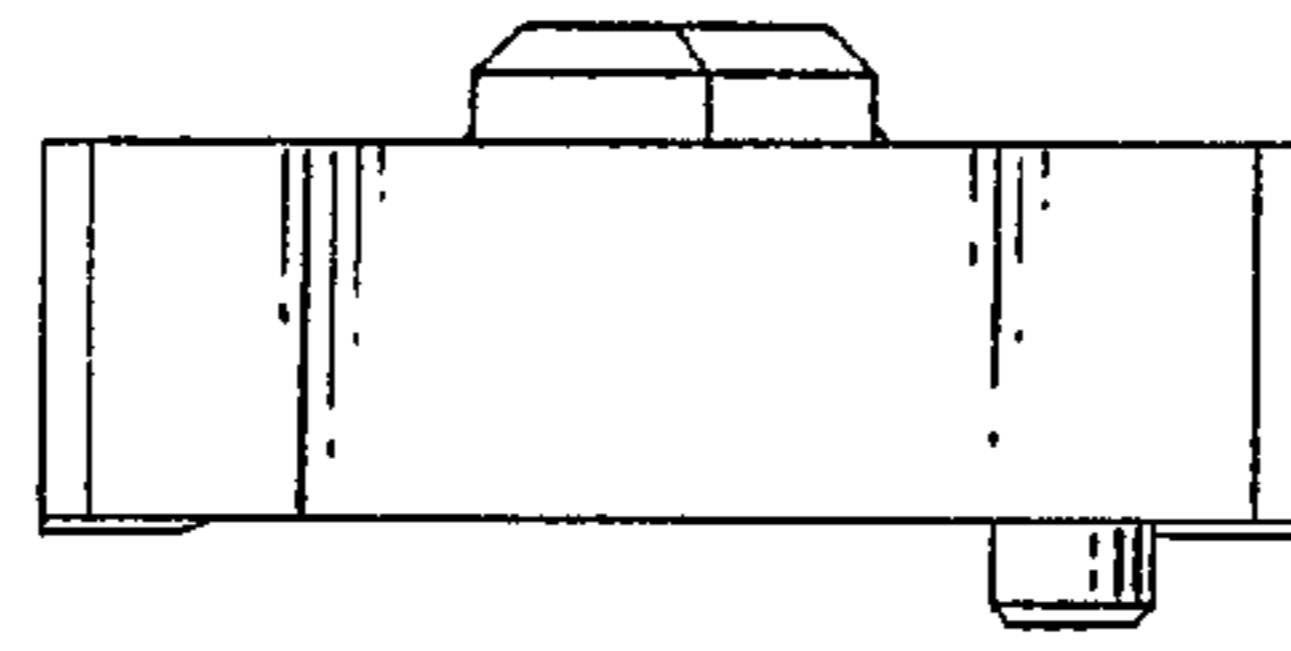


FIG. 6

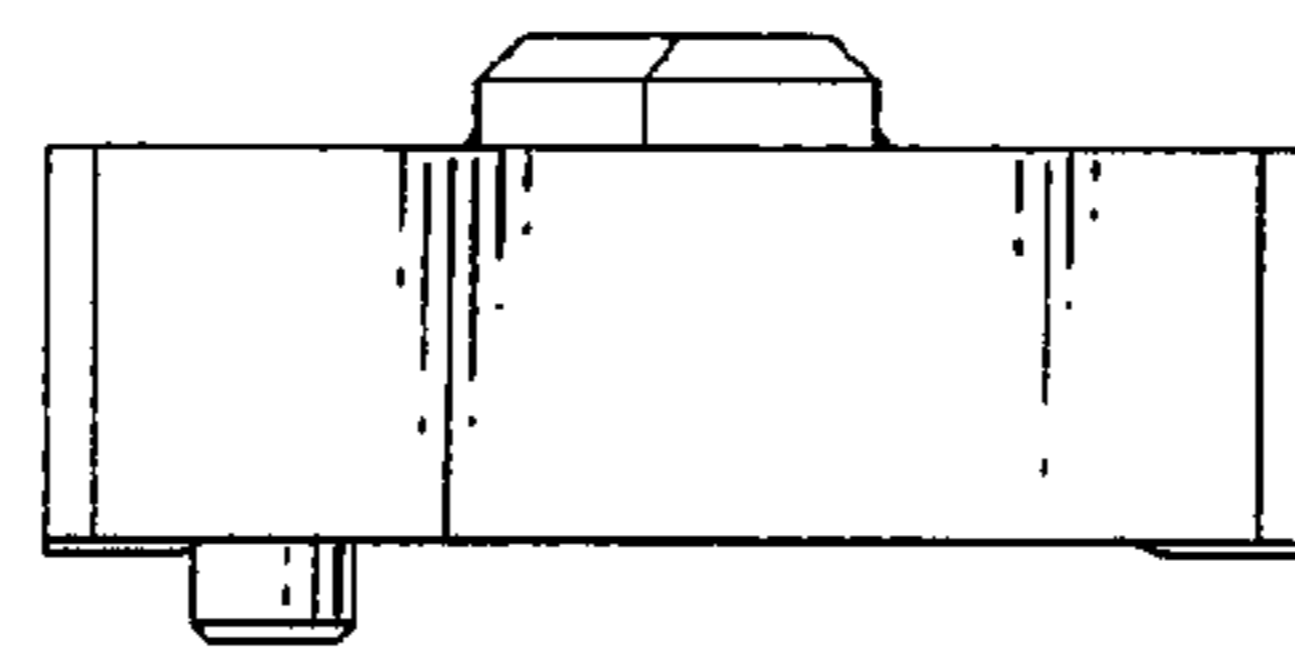


FIG. 7

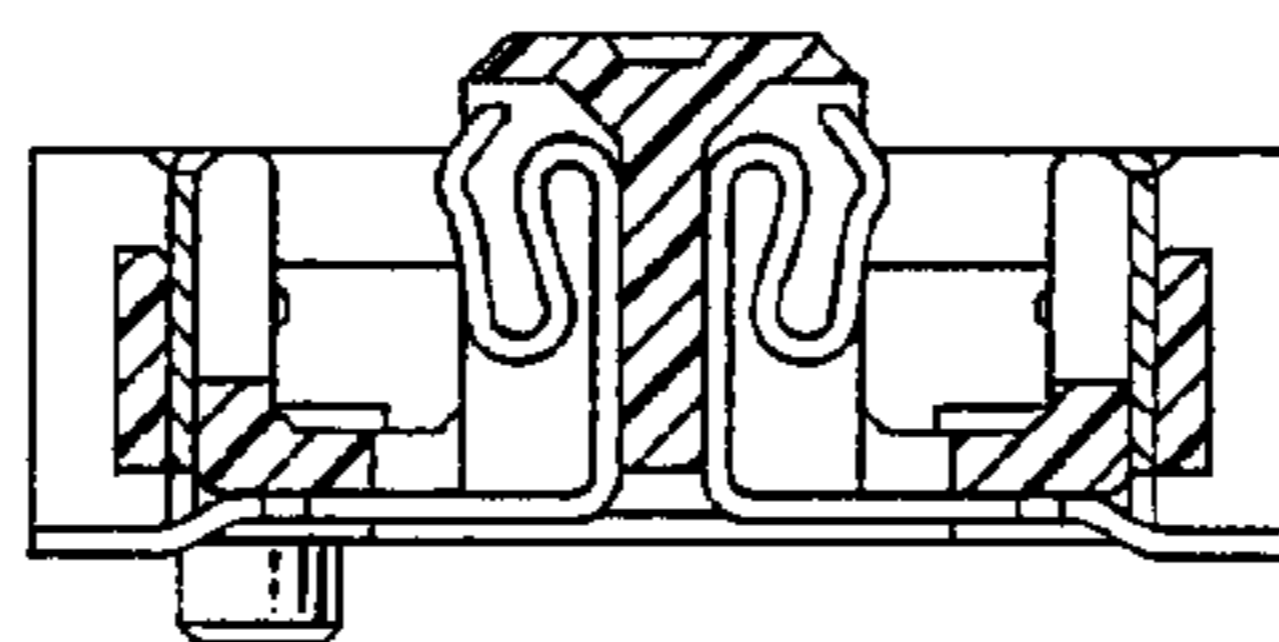


FIG. 8