

US00D506439S

(12) **United States Design Patent**
Wang

(10) **Patent No.:** **US D506,439 S**

(45) **Date of Patent:** **** *Jun. 21, 2005**

(54) **ELECTRICAL CONNECTOR**

(75) **Inventor:** **Wei Che Wang, Tu-Chen (TW)**

(73) **Assignee:** **Hon Hai Precision Ind. Co., Ltd.,
Taipei Hsien (TW)**

(*) **Notice:** This patent is subject to a terminal disclaimer.

(**) **Term:** **14 Years**

(21) **Appl. No.:** **29/171,493**

(22) **Filed:** **Nov. 21, 2002**

(30) **Foreign Application Priority Data**

Nov. 13, 2002 (TW) 91306565

(51) **LOC (8) Cl.** **13-03**

(52) **U.S. Cl.** **D13/133**

(58) **Field of Search** D13/133; 439/583,
439/578, 584, 857, 579, 585, 465

(56) **References Cited**

U.S. PATENT DOCUMENTS

D296,325 S * 6/1988 Hugin D13/133

4,854,893 A * 8/1989 Morris 439/578

5,195,156 A * 3/1993 Freeman et al. 385/92

D368,070 S * 3/1996 Krokauger D13/133

5,649,838 A * 7/1997 Sung 439/578

5,975,948 A * 11/1999 Weaver 439/578

6,336,832 B2 * 1/2002 Nobe 439/857

6,491,546 B1 * 12/2002 Perry 439/620

* cited by examiner

Primary Examiner—Philip S. Hyder

(74) *Attorney, Agent, or Firm*—Wei Te Chung

(57) **CLAIM**

The ornamental design for an electrical connector, as shown.

DESCRIPTION

FIG. 1 is a front, top and right side perspective view of an electrical connector showing my new design;

FIG. 2 is a front elevational view of FIG. 1;

FIG. 3 is a rear elevational view of FIG. 1;

FIG. 4 is a left side elevational view of FIG. 1;

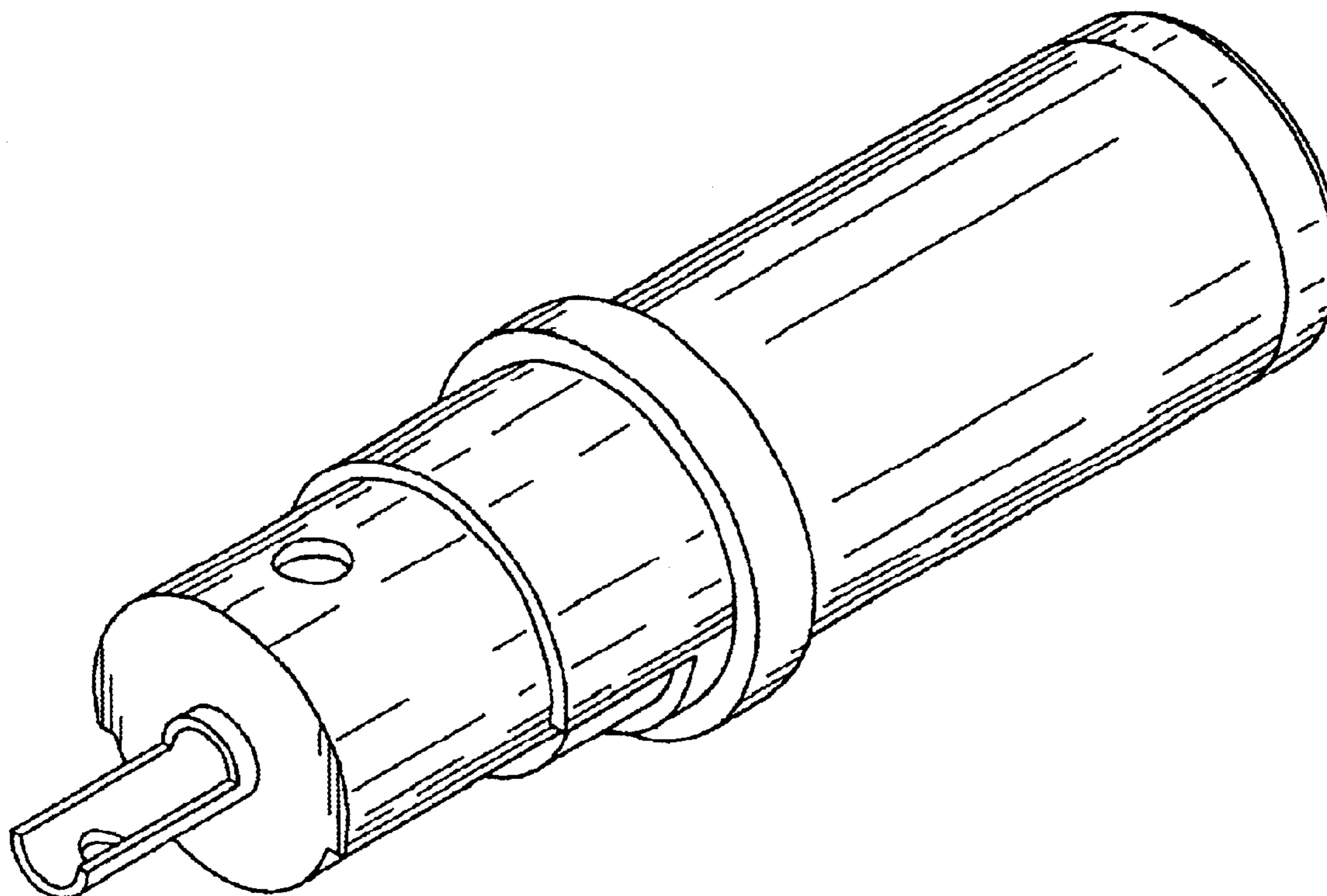
FIG. 5 is a right side elevational view of FIG. 1;

FIG. 6 is a top plan view of FIG. 1;

FIG. 7 is a bottom plan view of FIG. 1; and,

FIG. 8 is a cross-sectional view taken along line 8—8 of FIG. 2.

1 Claim, 8 Drawing Sheets



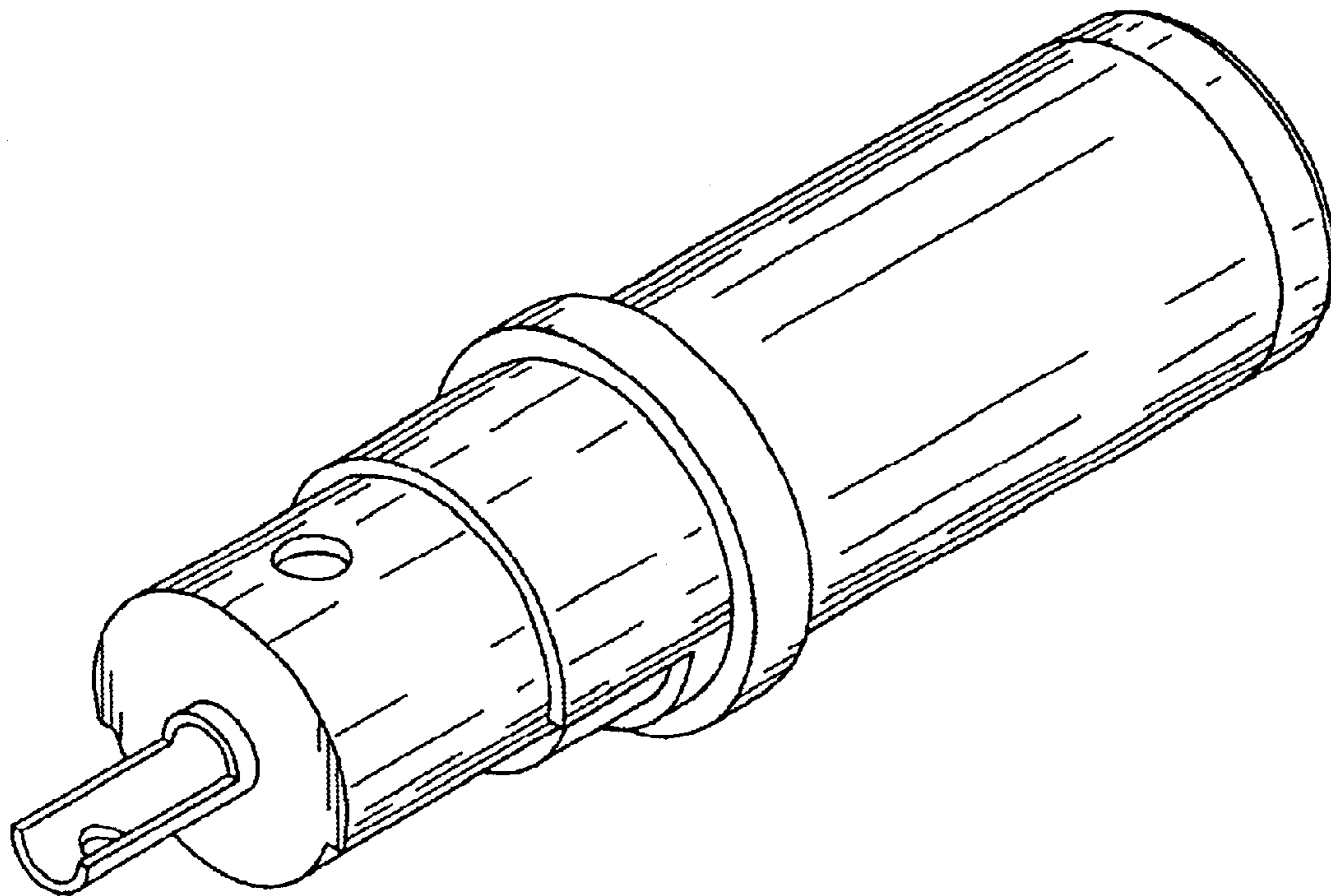


FIG. 1

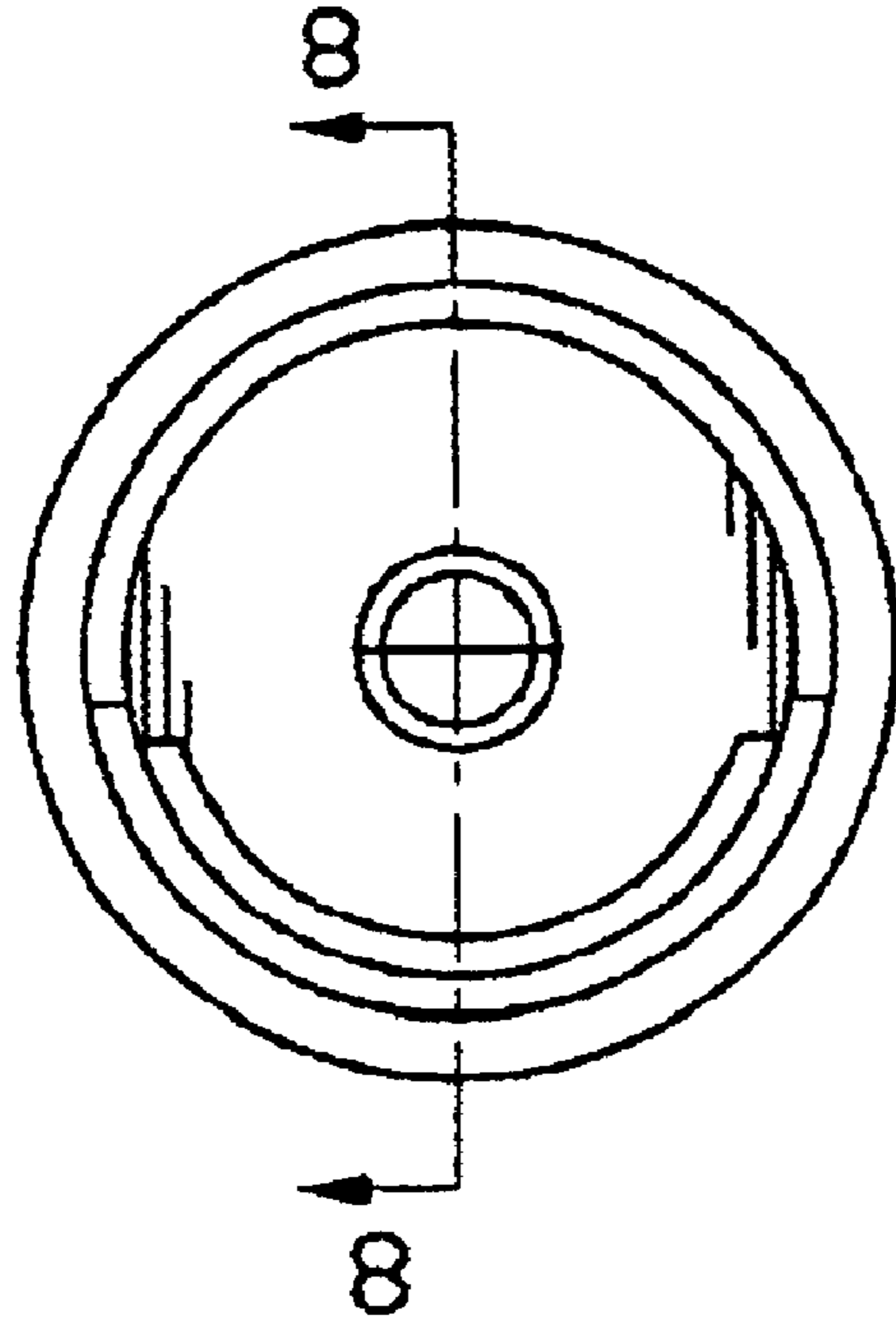


FIG. 2

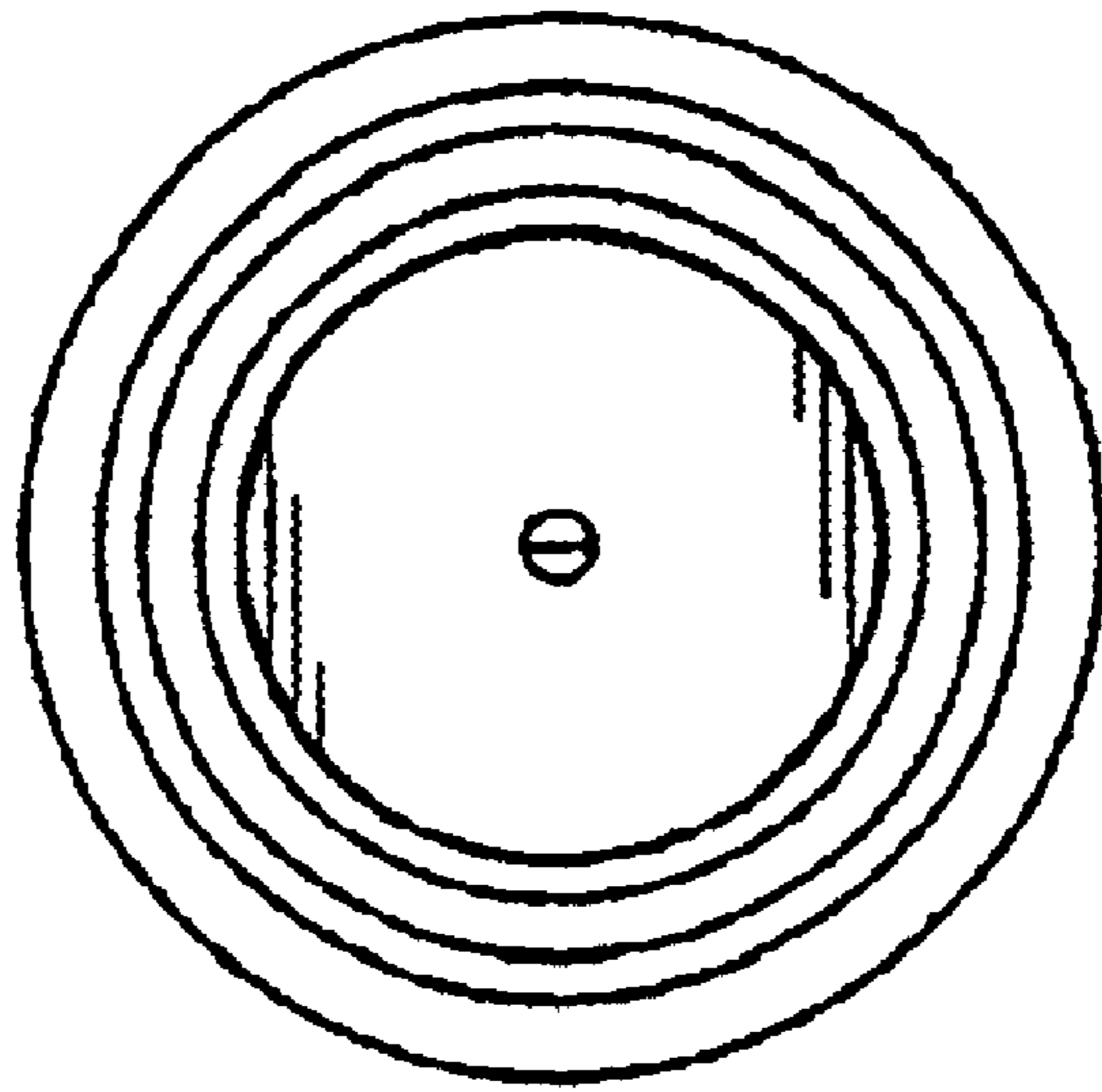


FIG. 3

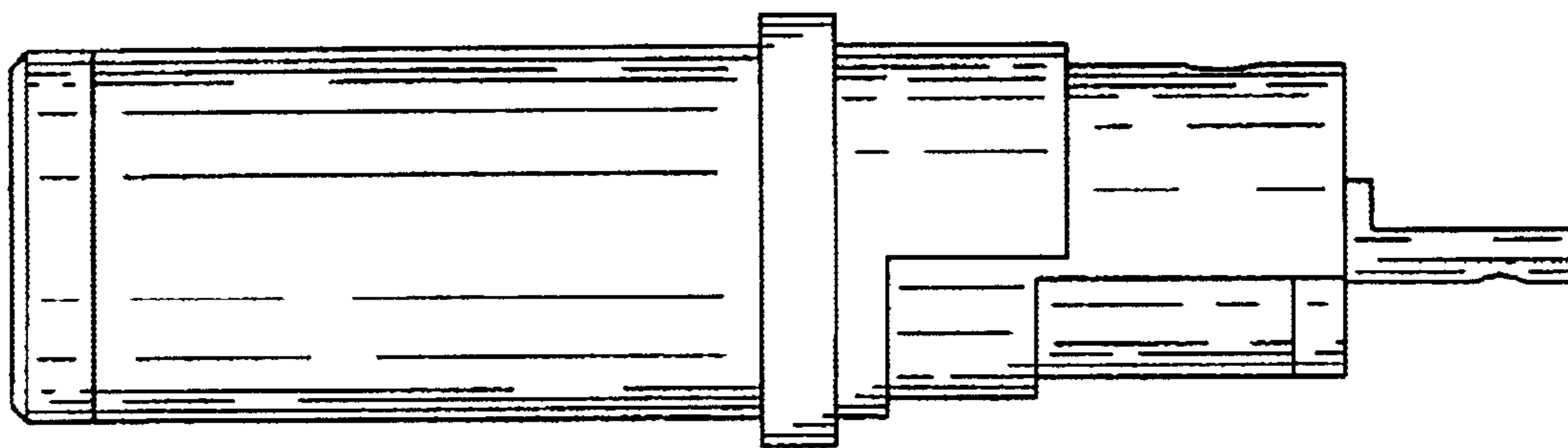


FIG. 4

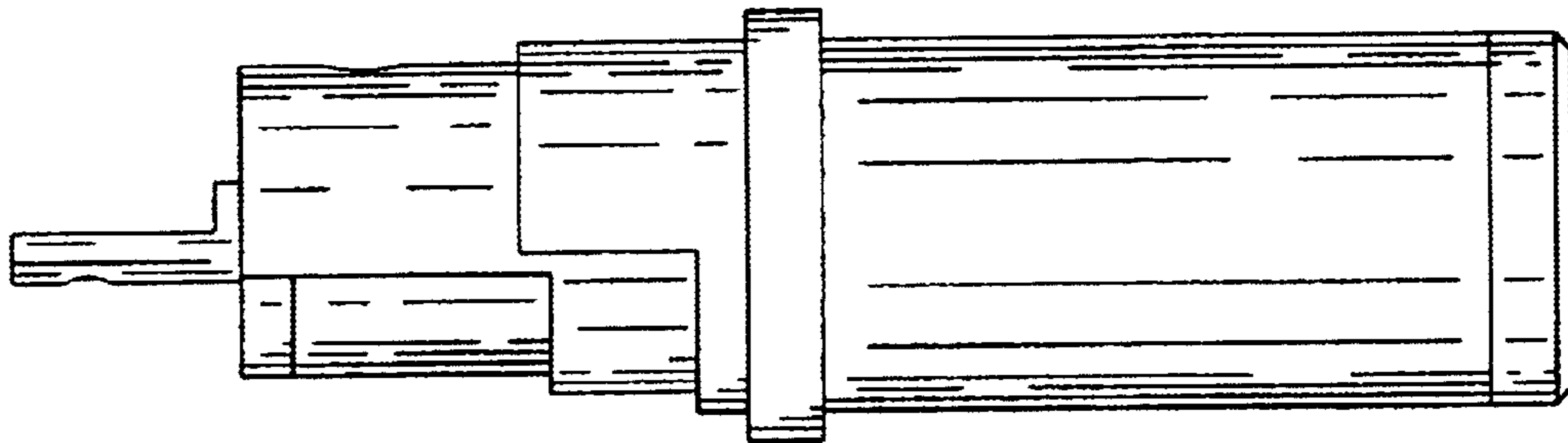


FIG. 5

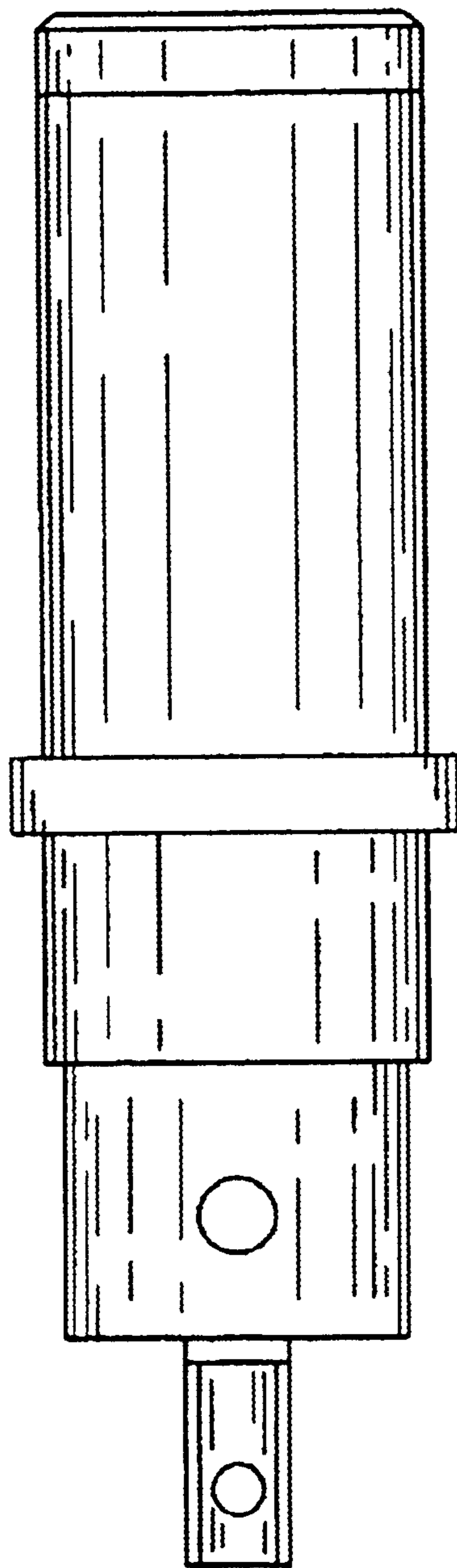


FIG. 6

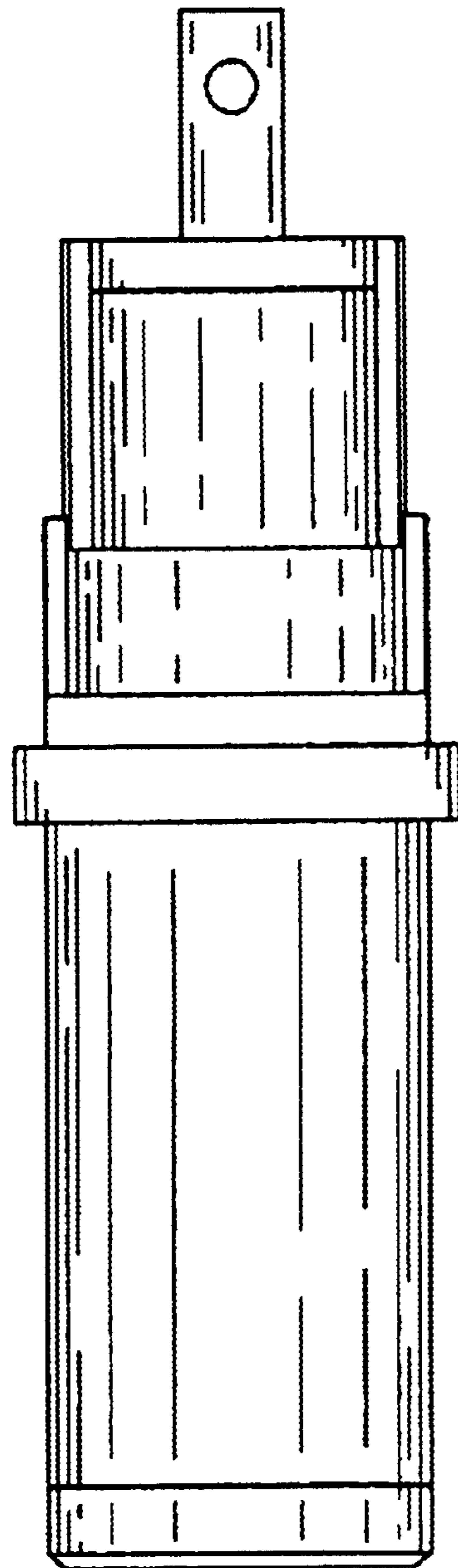


FIG. 7

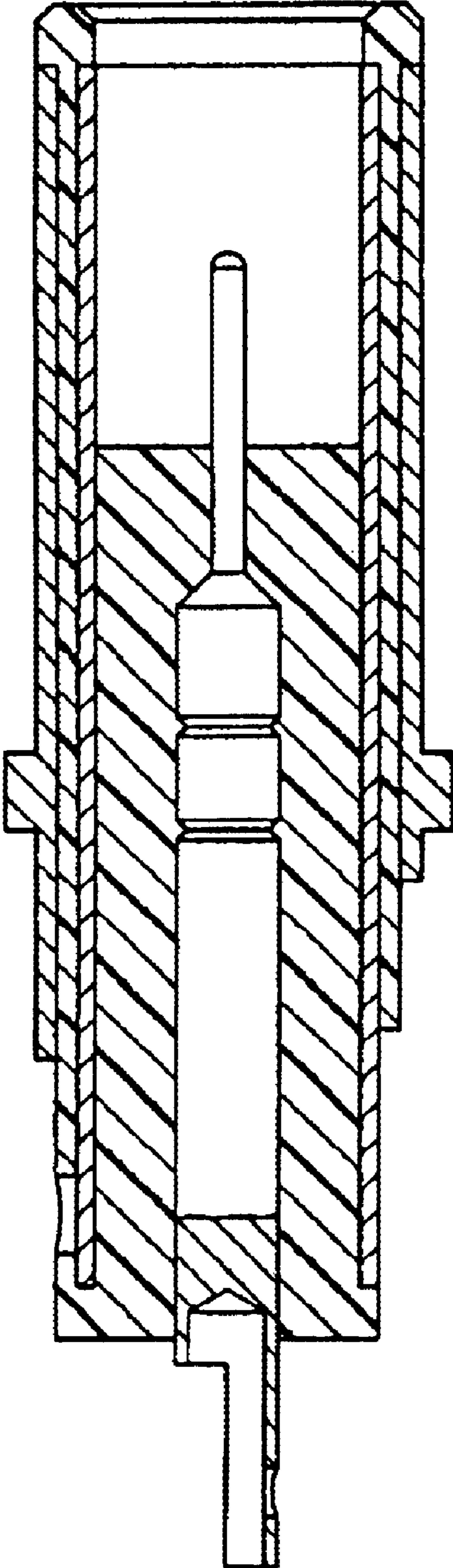


FIG. 8