

US00D506438S

(12) **United States Design Patent** (10) **Patent No.:** **US D506,438 S**
Vinciarelli et al. (45) **Date of Patent:** **** Jun. 21, 2005**

(54) **POWER CONVERTER BODY**

(75) Inventors: **Patrizio Vinciarelli**, Boston, MA (US);
Michael B. Lafleur, East Hampstead,
NH (US)

(73) Assignee: **VLT, Inc.**, Sunnyvale, CA (US)

(**) Term: **14 Years**

(21) Appl. No.: **29/211,384**

(22) Filed: **Aug. 13, 2004**

Related U.S. Application Data

(60) Division of application No. 29/180,324, filed on Apr. 22,
2003, now Pat. No. Des. 496,906, which is a continuation-
in-part of application No. 10/303,613, filed on Nov. 25,
2002.

(51) **LOC (8) Cl.** **13-02**

(52) **U.S. Cl.** **D13/110**

(58) **Field of Search** D13/101, 110,
D13/112, 199; 307/150, 151; 340/473;
363/132, 141, 146; 439/638, 668, 952

(56) **References Cited**

U.S. PATENT DOCUMENTS

D297,928 S	10/1988	Harpley et al.
D339,104 S	9/1993	Jackson
D340,222 S	10/1993	Bedell
D340,907 S	11/1993	Smith et al.
D344,928 S	3/1994	Vinciarelli et al.
D363,056 S	10/1995	Vinciarelli et al.
D371,110 S	6/1996	Harris et al.
D407,066 S	3/1999	Renk
6,025,768 A	2/2000	Martich
6,052,045 A	4/2000	Martich
6,294,971 B1	9/2001	Martich
D466,076 S	11/2002	Nagashima et al.
D469,059 S	1/2003	Ando et al.

Primary Examiner—Prabhakar Deshmukh
Assistant Examiner—Daniel Bui

(74) *Attorney, Agent, or Firm*—Fish & Richardson P.C.

(57) **CLAIM**

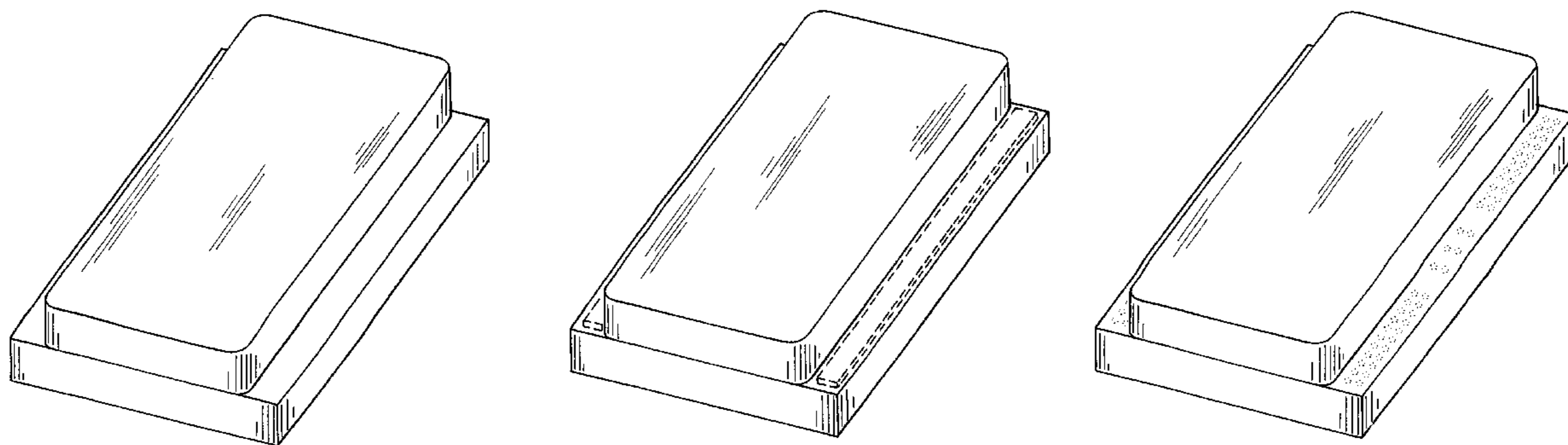
The ornamental design for a power converter body, as shown
and described.

DESCRIPTION

FIG. 1 is a perspective view of a power converter body.
 FIG. 2 is a top plan view thereof.
 FIG. 3 is a bottom plan view thereof.
 FIG. 4 is a right side elevational view thereof.
 FIG. 5 is a left side elevational view thereof.
 FIG. 6 is a front elevational view thereof.
 FIG. 7 is a rear elevational view thereof.
 FIG. 8 is a perspective view of a power converter body with
 broken lines illustrating environment (e.g. electrical contact
 areas) that is not part of the design.
 FIG. 9 is a top plan view thereof.
 FIG. 10 is a bottom plan view thereof.
 FIG. 11 is a right side elevational view thereof.
 FIG. 12 is a left side elevational view thereof.
 FIG. 13 is a front elevational view thereof.
 FIG. 14 is a rear elevational view thereof.
 FIG. 15 is a perspective view of a power converter body with
 broken lines illustrating environment (e.g. a ball grid array)
 that is not part of the design.
 FIG. 16 is a top plan view thereof.
 FIG. 17 is a bottom plan view thereof.
 FIG. 18 is a right side elevational view thereof.
 FIG. 19 is a left side elevational view thereof.
 FIG. 20 is a front elevational view thereof; and,
 FIG. 21 is a rear elevational view thereof.

The stippling in each embodiment indicates a contrasting
 color (e.g., black or dark gray or another color) of the
 stippled portion of the design relative to the color (e.g.,
 metallic color or light gray or another color) of the non-
 stippled portion of the design.

1 Claim, 3 Drawing Sheets



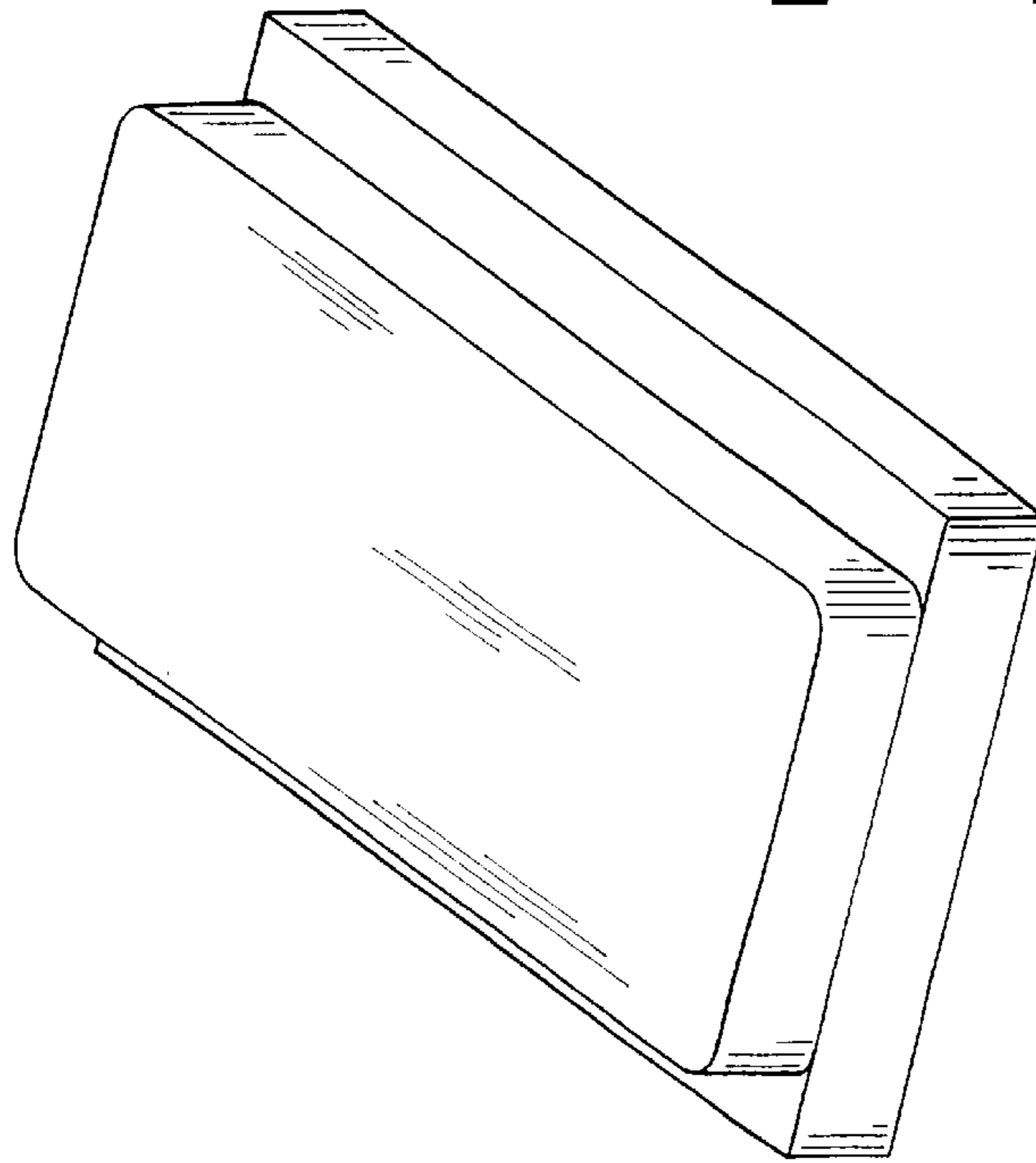


FIG. 1

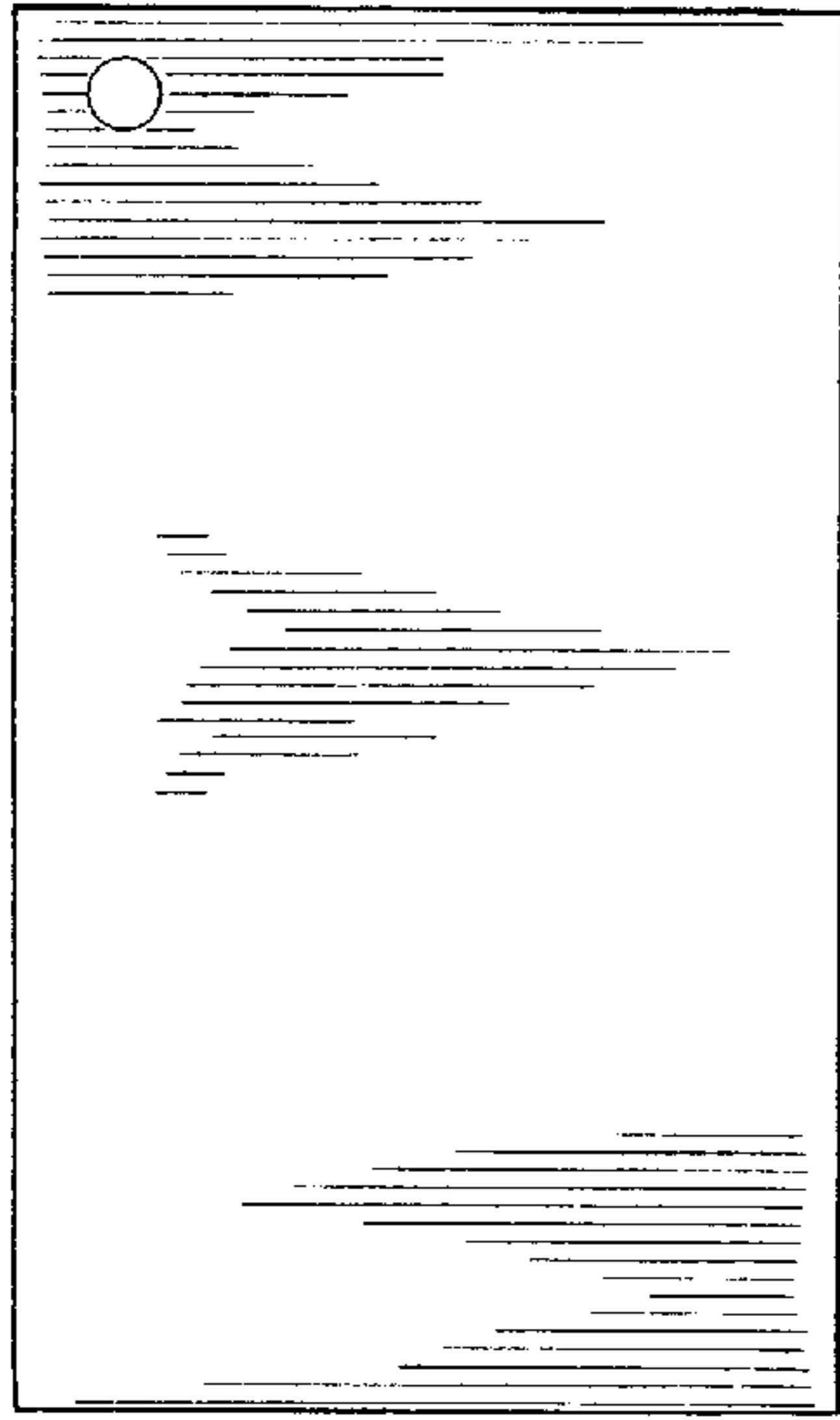


FIG. 2

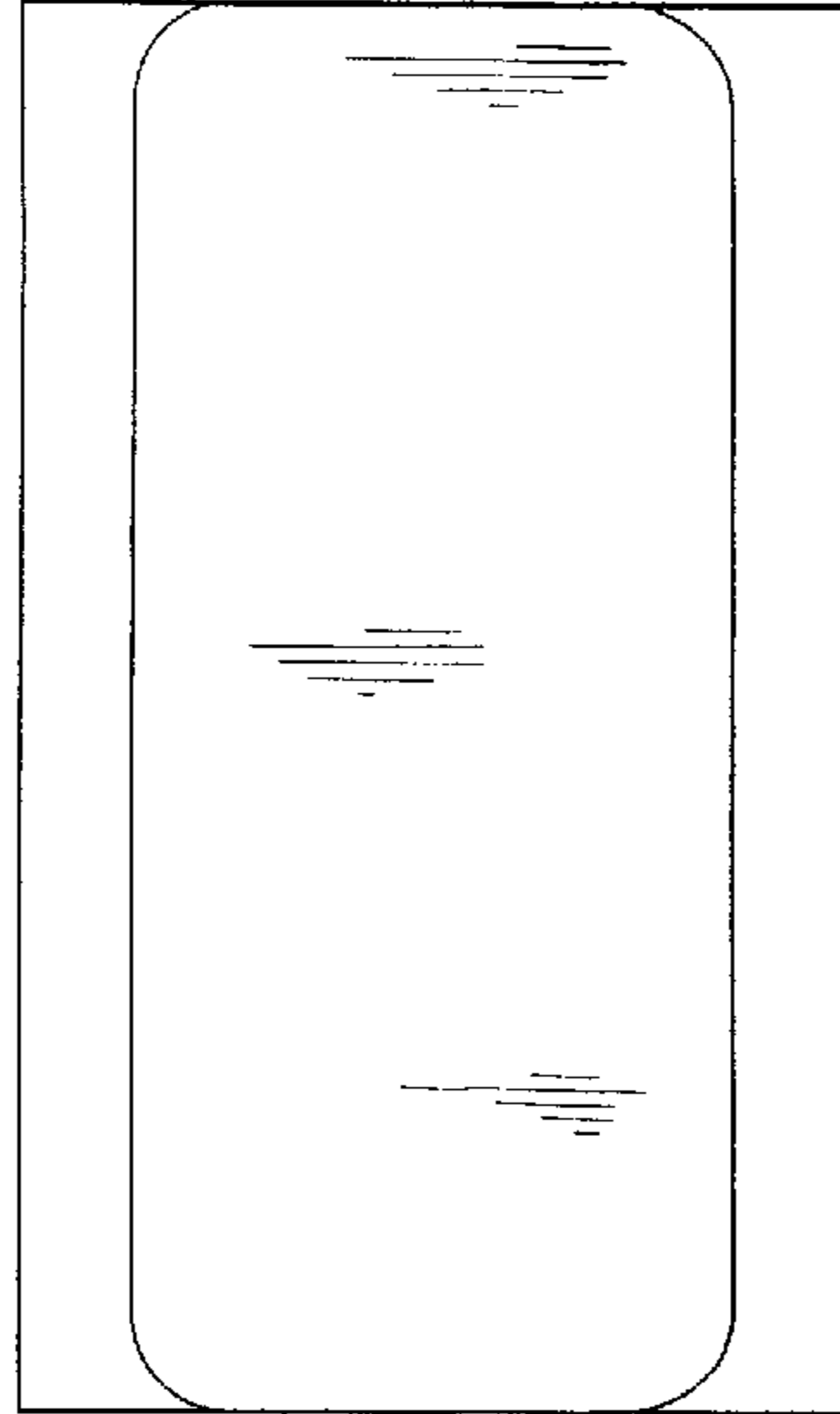


FIG. 3

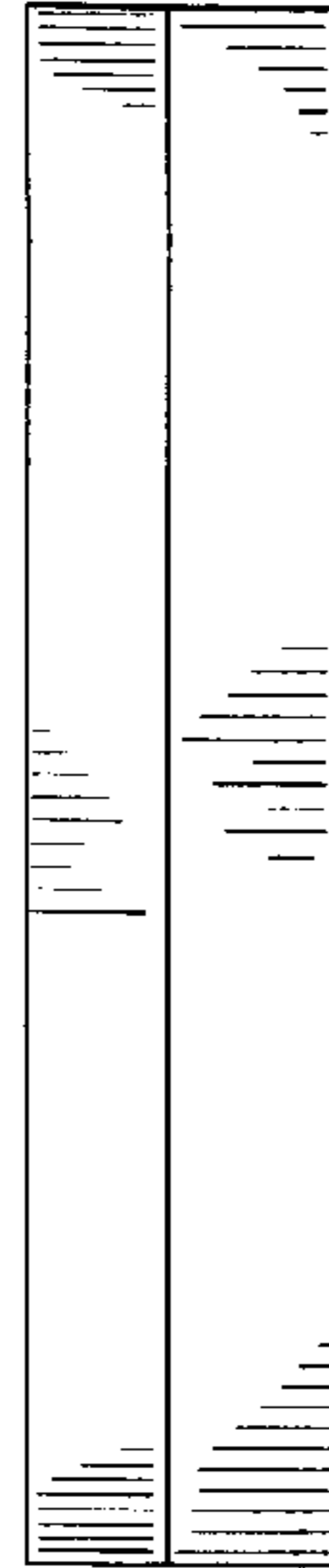


FIG. 4

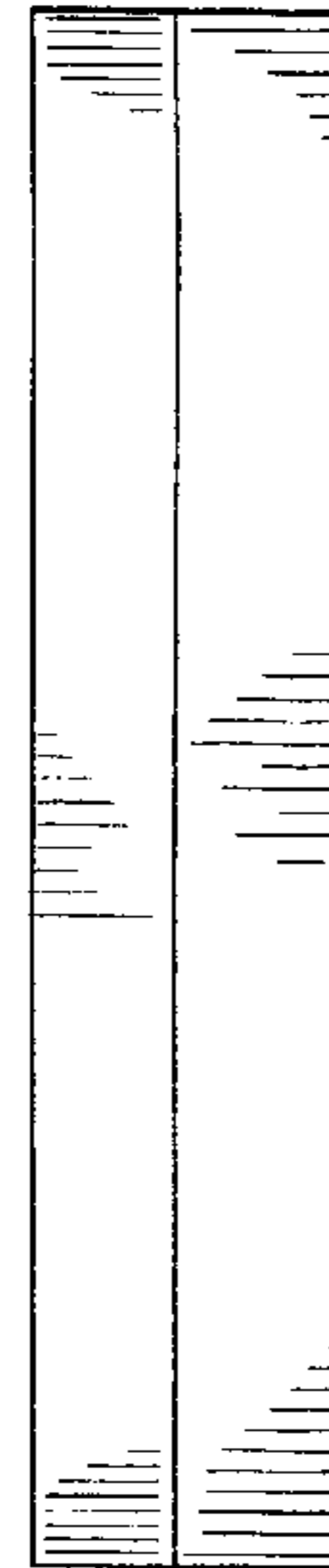


FIG. 5



FIG. 6

FIG. 7

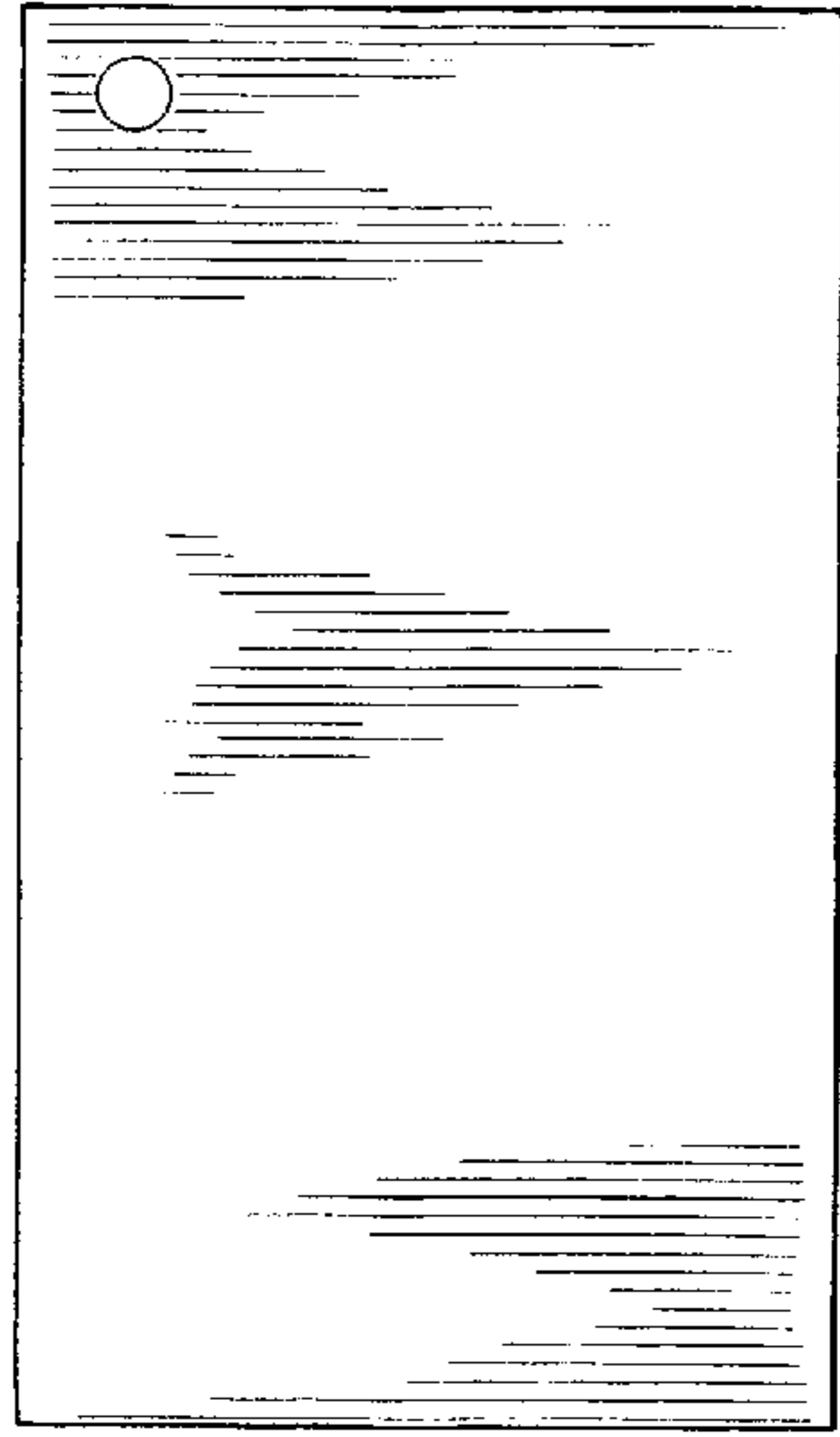


FIG. 9

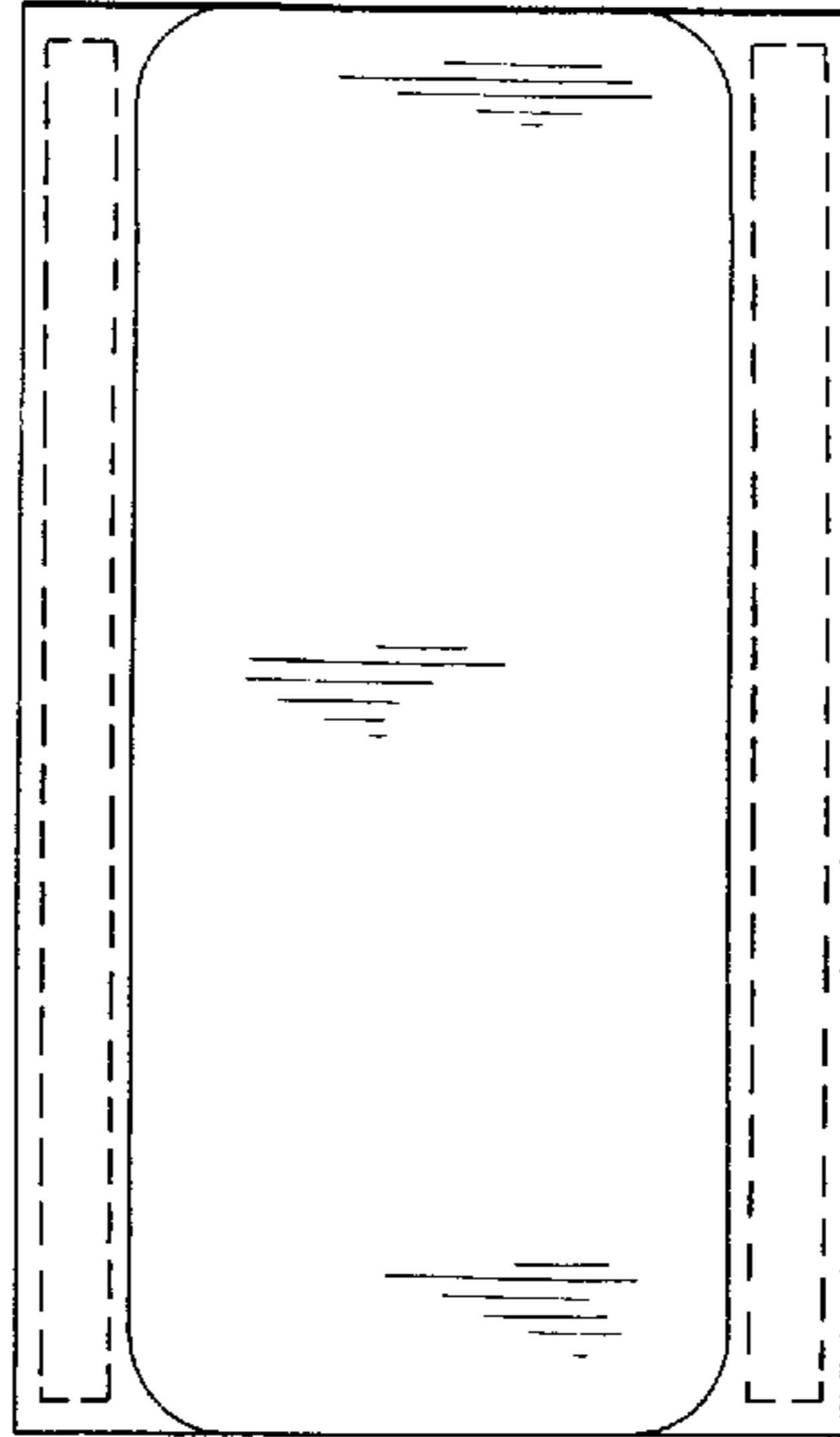


FIG. 10

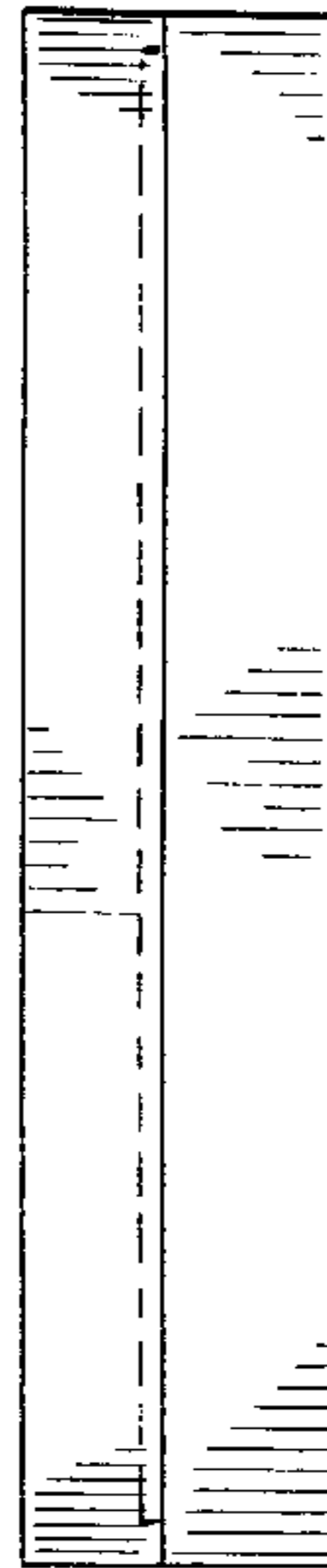


FIG. 11

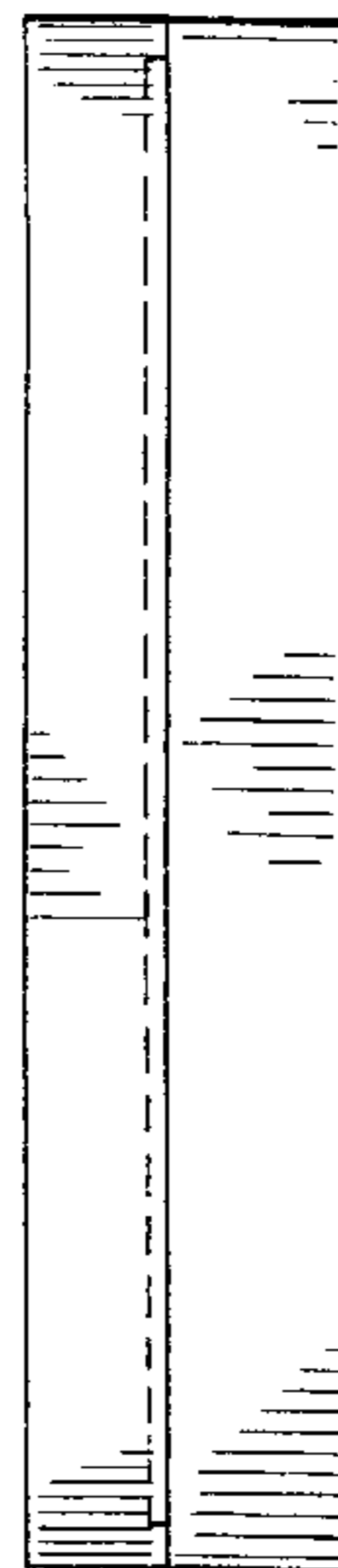


FIG. 12

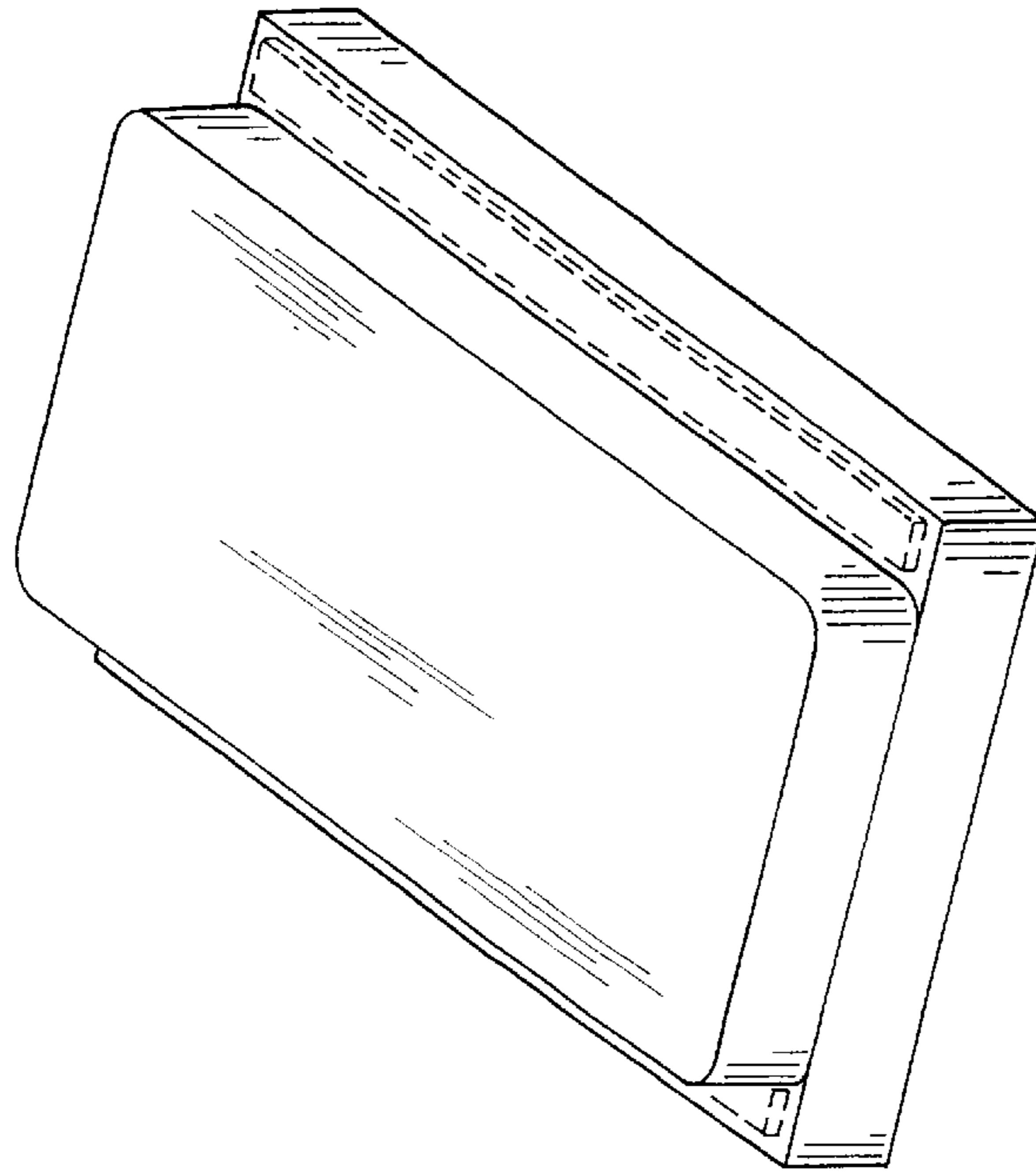


FIG. 8

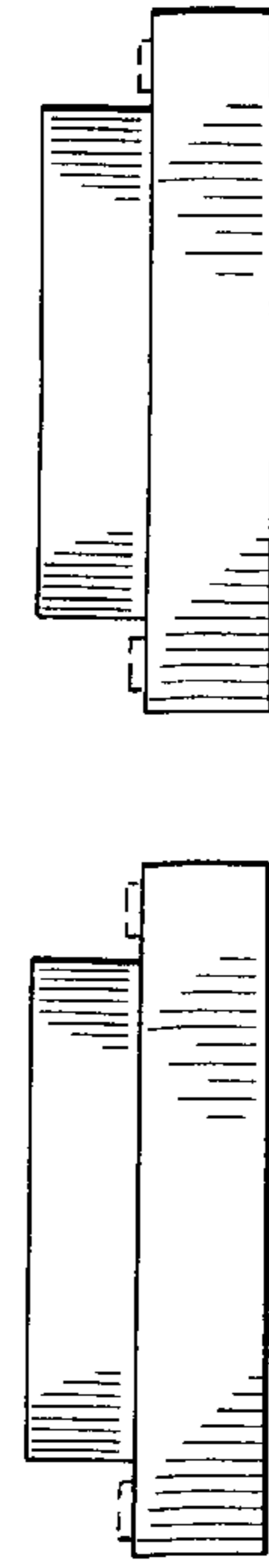


FIG. 13

FIG. 14

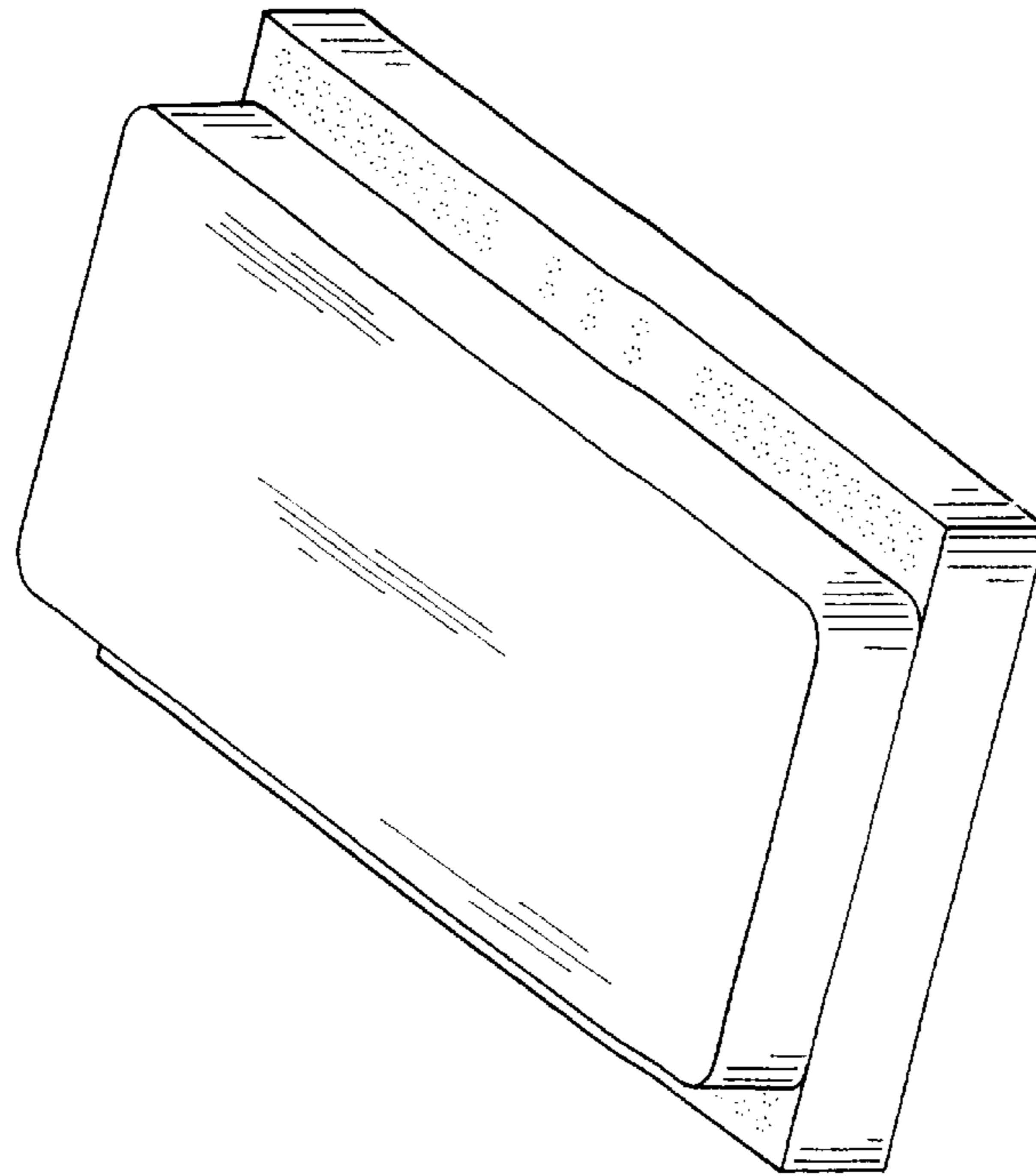


FIG. 15

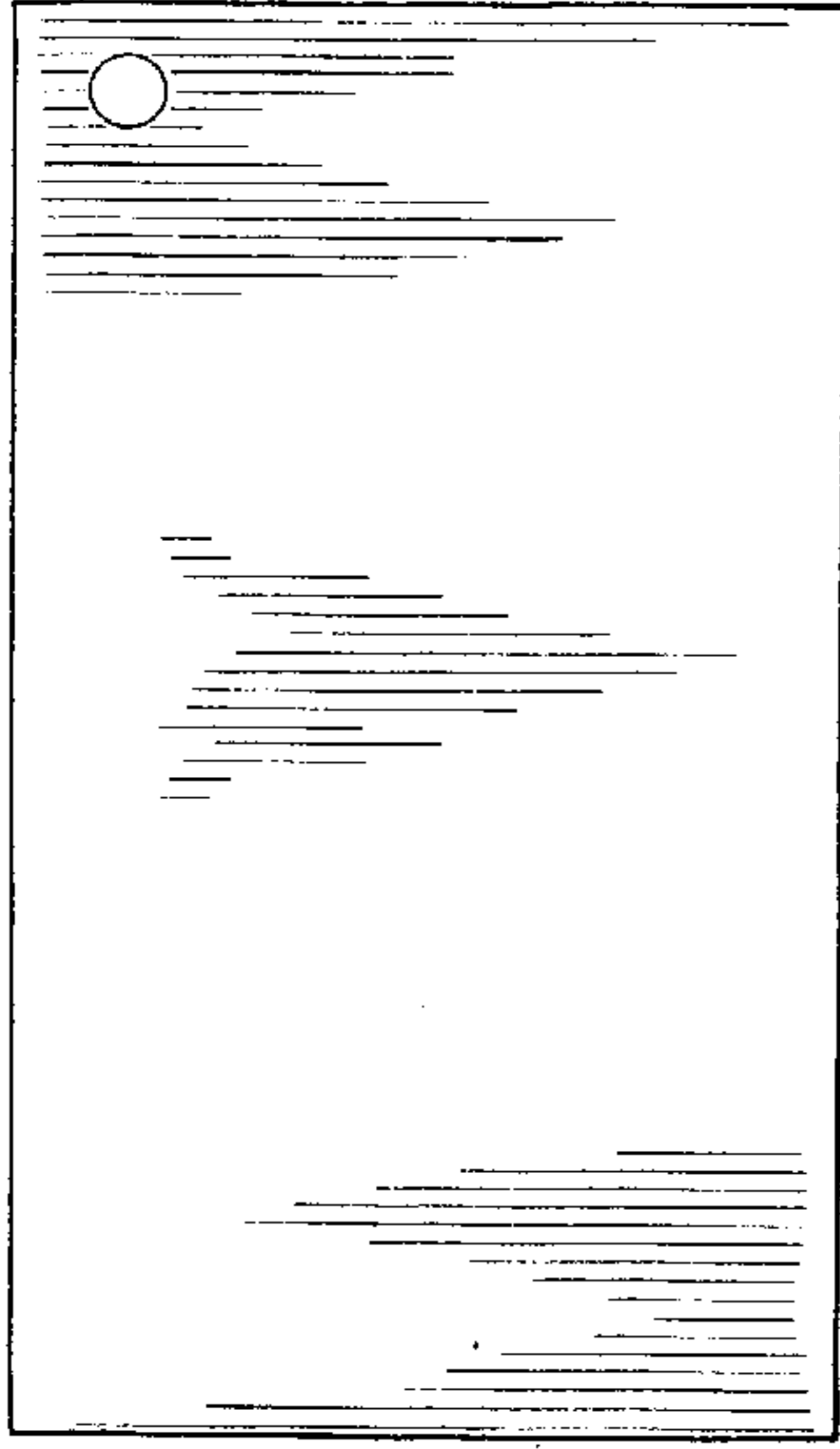


FIG. 16

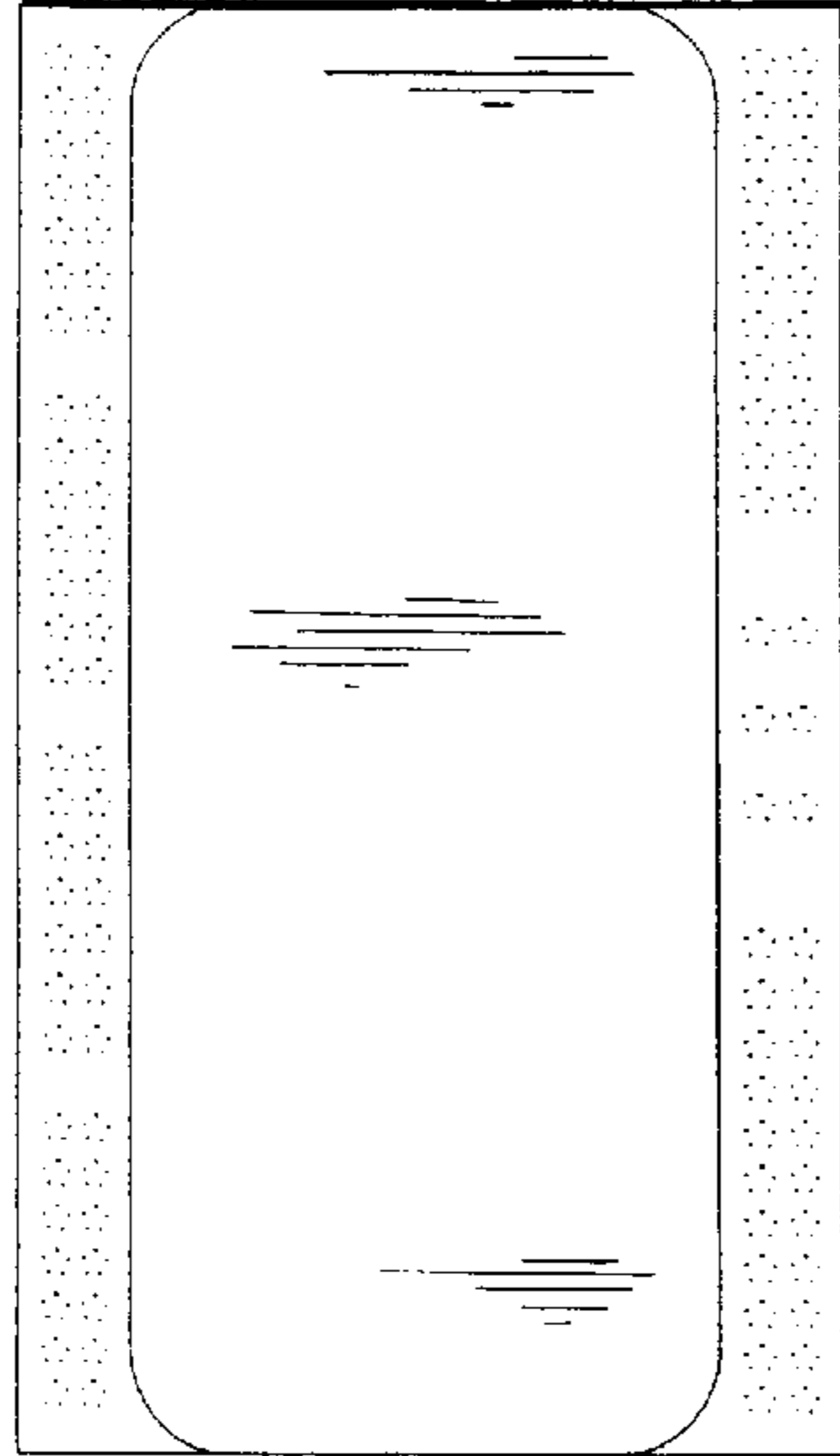


FIG. 17

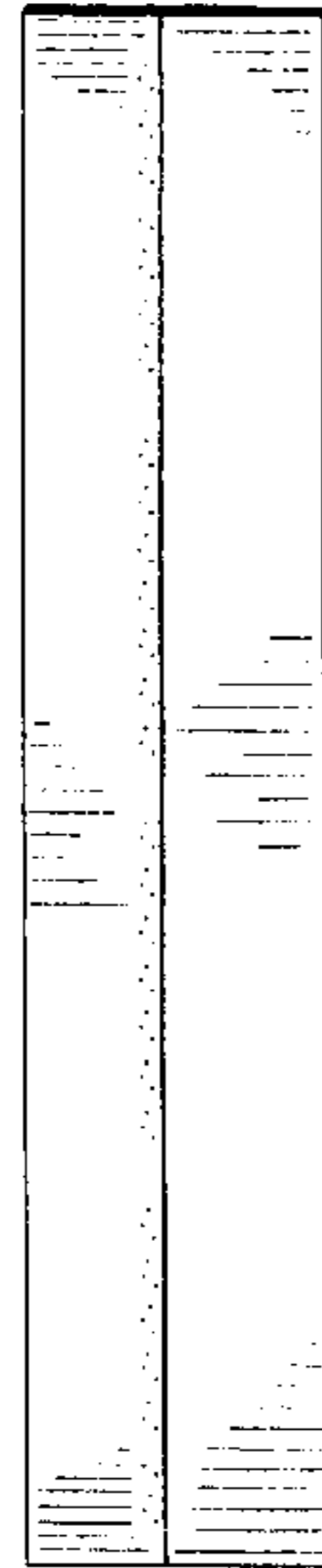


FIG. 18

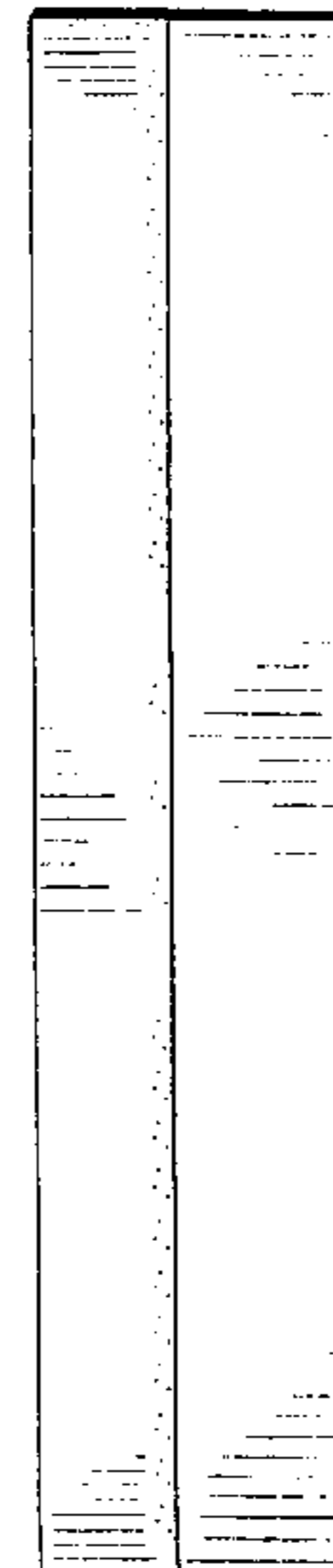


FIG. 19

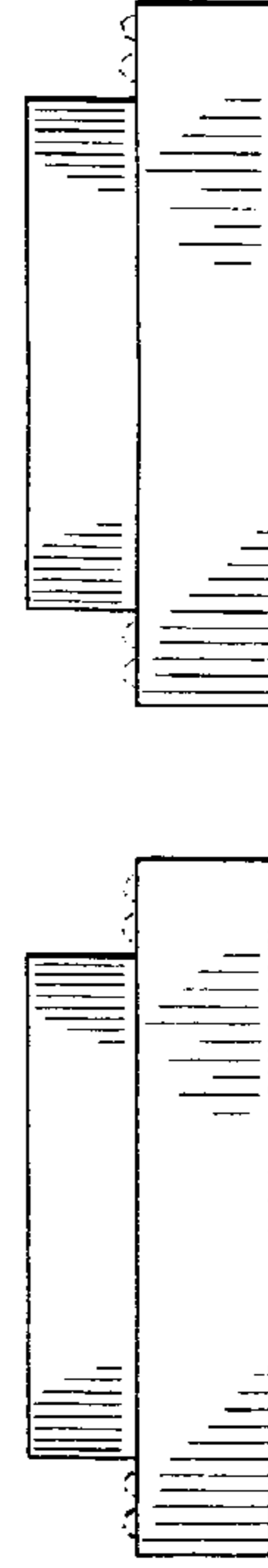


FIG. 20

FIG. 21