

US00D506433S

(12) **United States Design Patent**
Kis

(10) **Patent No.:** **US D506,433 S**

(45) **Date of Patent:** **** Jun. 21, 2005**

(54) **BOAT COVER SUPPORT**

(76) Inventor: **Mike Kis**, 141 Cove Crescent, Stoney Creek, Ontario (CA), L8E 5A1

(**) Term: **14 Years**

(21) Appl. No.: **29/215,005**

(22) Filed: **Oct. 14, 2004**

(51) **LOC (8) Cl.** **12-06**

(52) **U.S. Cl.** **D12/317**

(58) **Field of Search** D12/317, 318;
114/361, 364, 354; 248/177.1; D16/244;
D21/569

(56) **References Cited**

U.S. PATENT DOCUMENTS

821,052	A	*	5/1906	McLeod	248/177.1
2,614,780	A	*	10/1952	Buff	248/177.1
3,106,931	A	*	10/1963	Cooper	114/361
5,027,739	A	*	7/1991	Lackovic	114/361
6,260,505	B1	*	7/2001	Polidan	114/361
6,308,653	B1	*	10/2001	Geraci	114/361
6,672,241	B2	*	1/2004	Warfel et al.	114/361
6,820,845	B2	*	11/2004	Nakatani	248/177.1

* cited by examiner

Primary Examiner—Holly Baynham
Assistant Examiner—Cynthia M. Chin

(57) **CLAIM**

The ornamental design for a boat cover support, as shown and described.

DESCRIPTION

FIG. 1 is a side plan view of the top portion of the boat cover support shown in FIG. 2.

FIG. 2 is a top plan view of the top portion of the boat cover support.

FIG. 3 is a side plan view of the top portion of the boat cover support shown in FIG. 2.

FIG. 4 is a side plan elevational view of the entire boat cover support.

FIG. 5 is a bottom perspective view of the entire boat cover support with breaks in the legs representing indefinite lengths; and,

FIG. 6 is a top perspective view of the boat cover support.

The legs of claimed design are shown broken away to indicate indeterminate length.

1 Claim, 4 Drawing Sheets

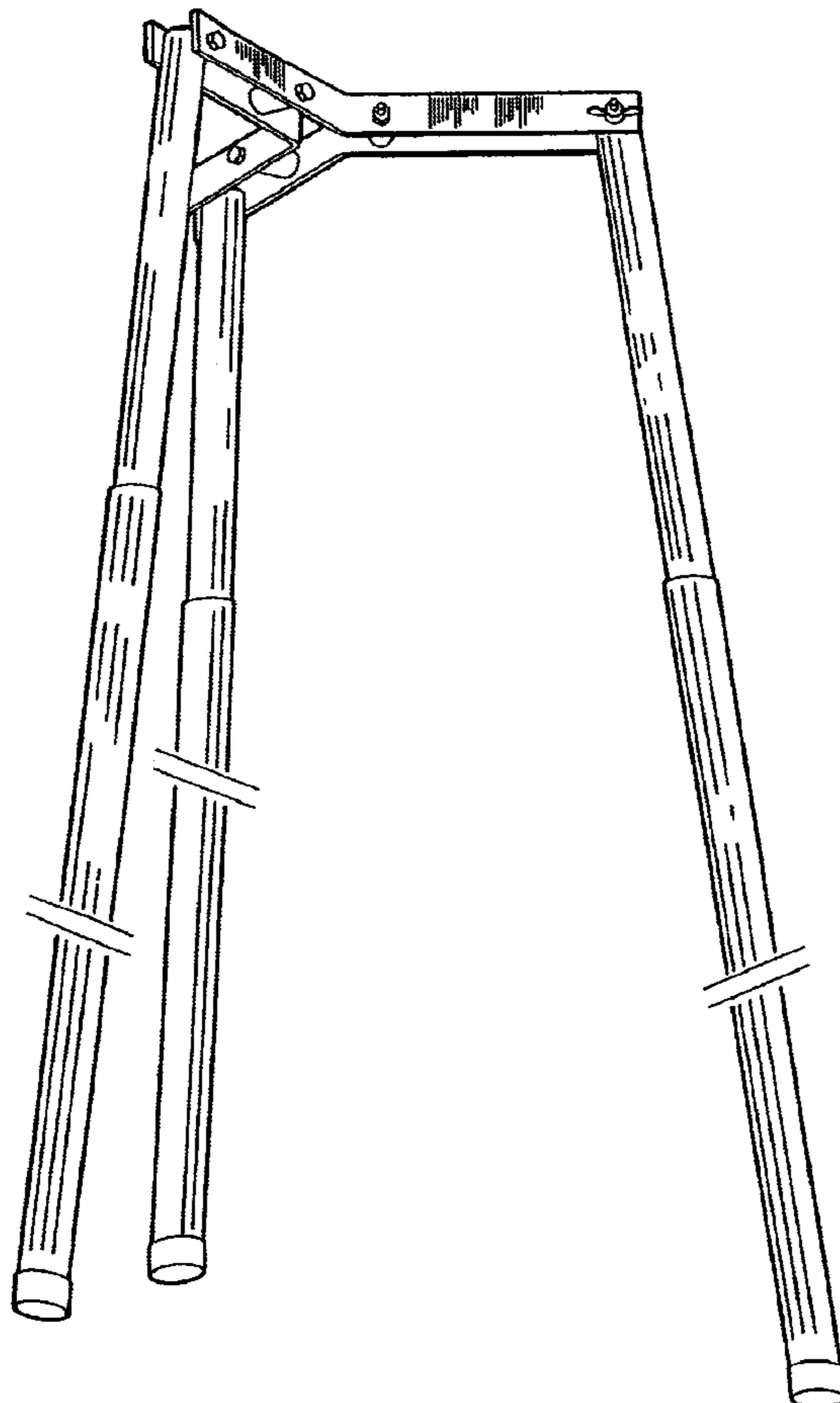


FIG. 1

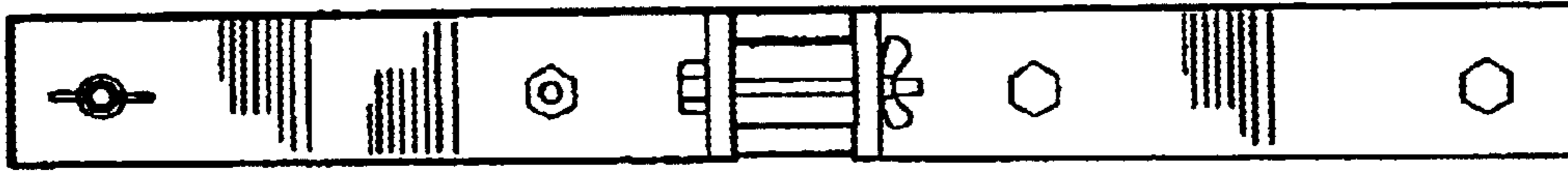


FIG. 2

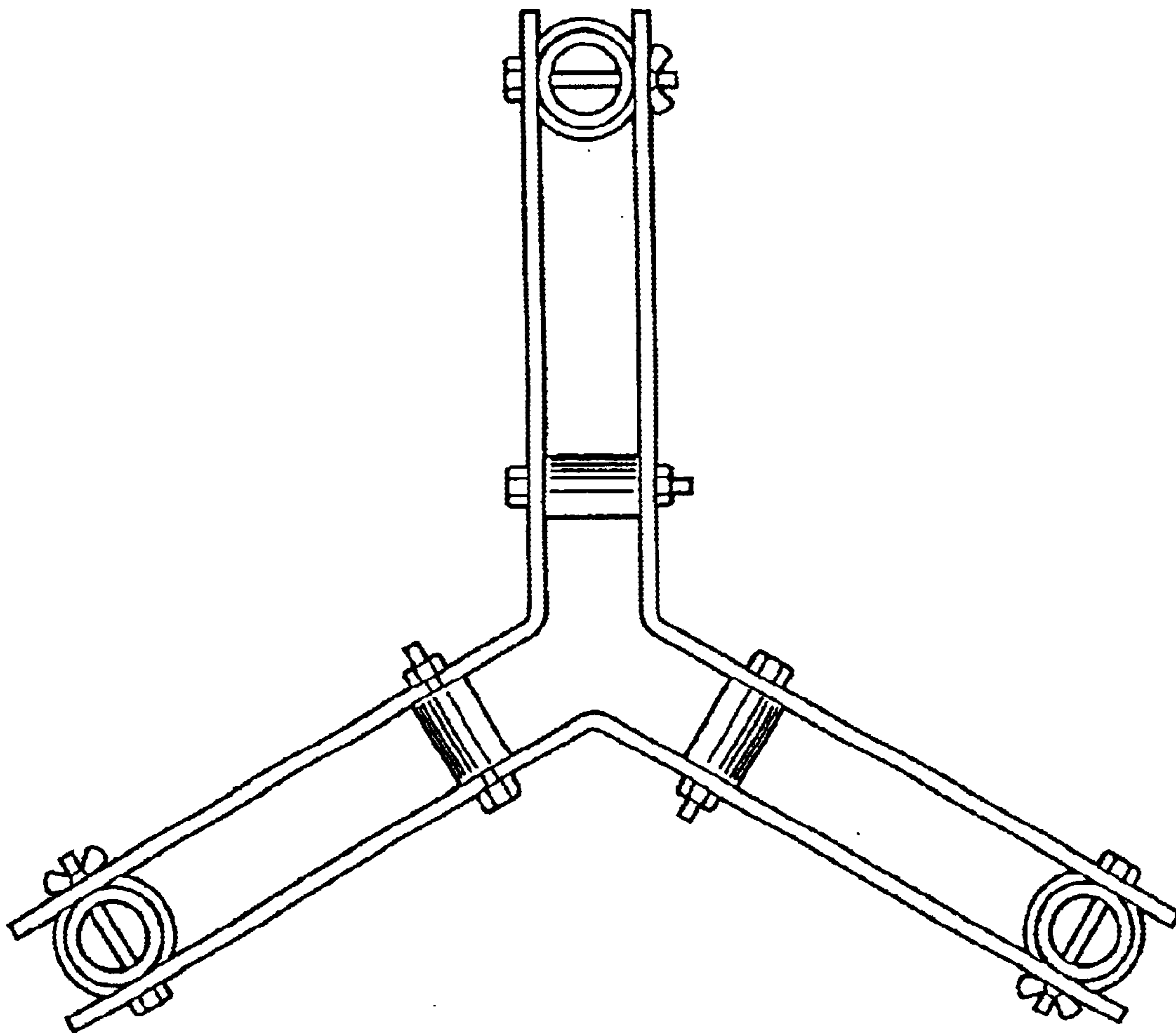


FIG. 3



FIG. 4

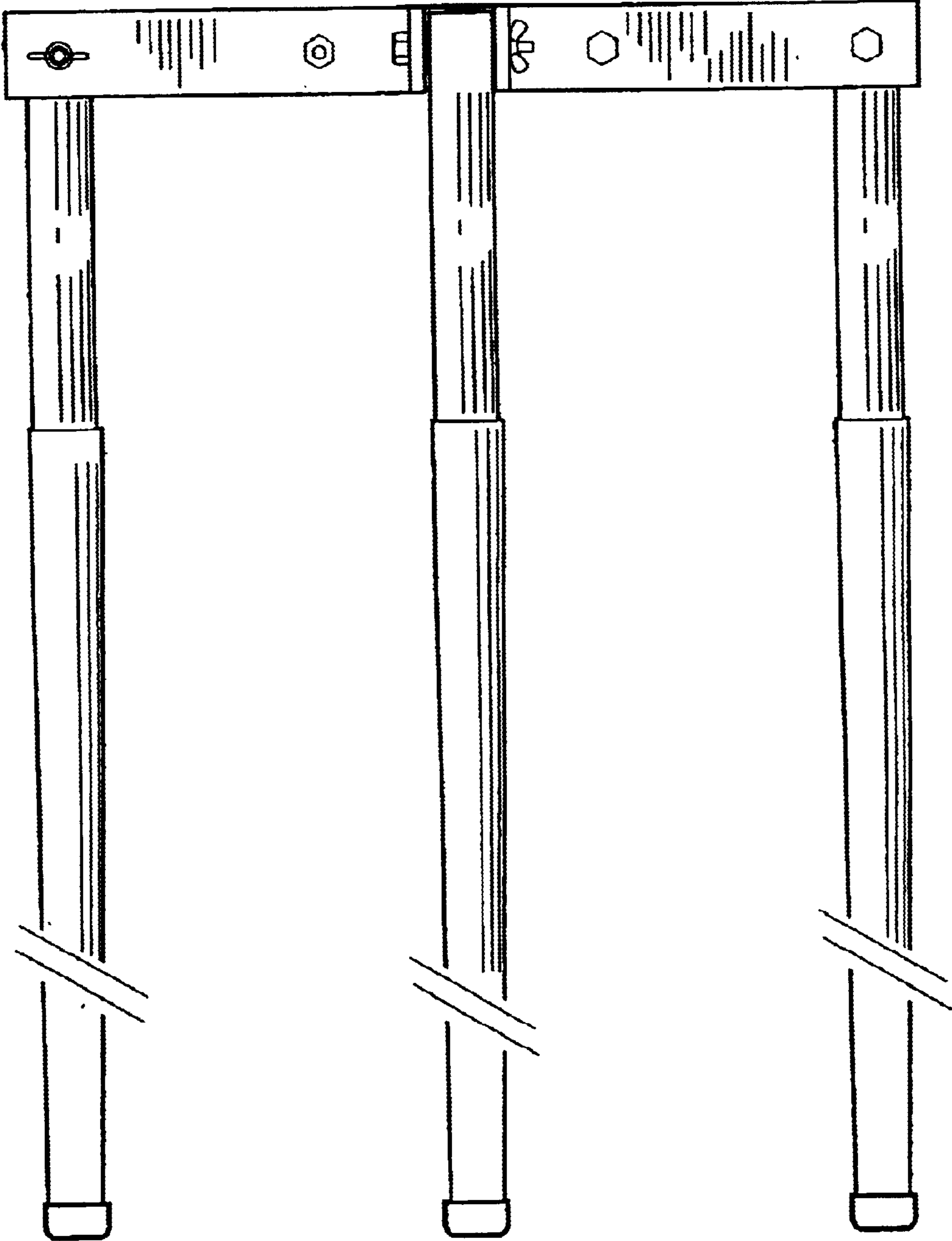


FIG. 5

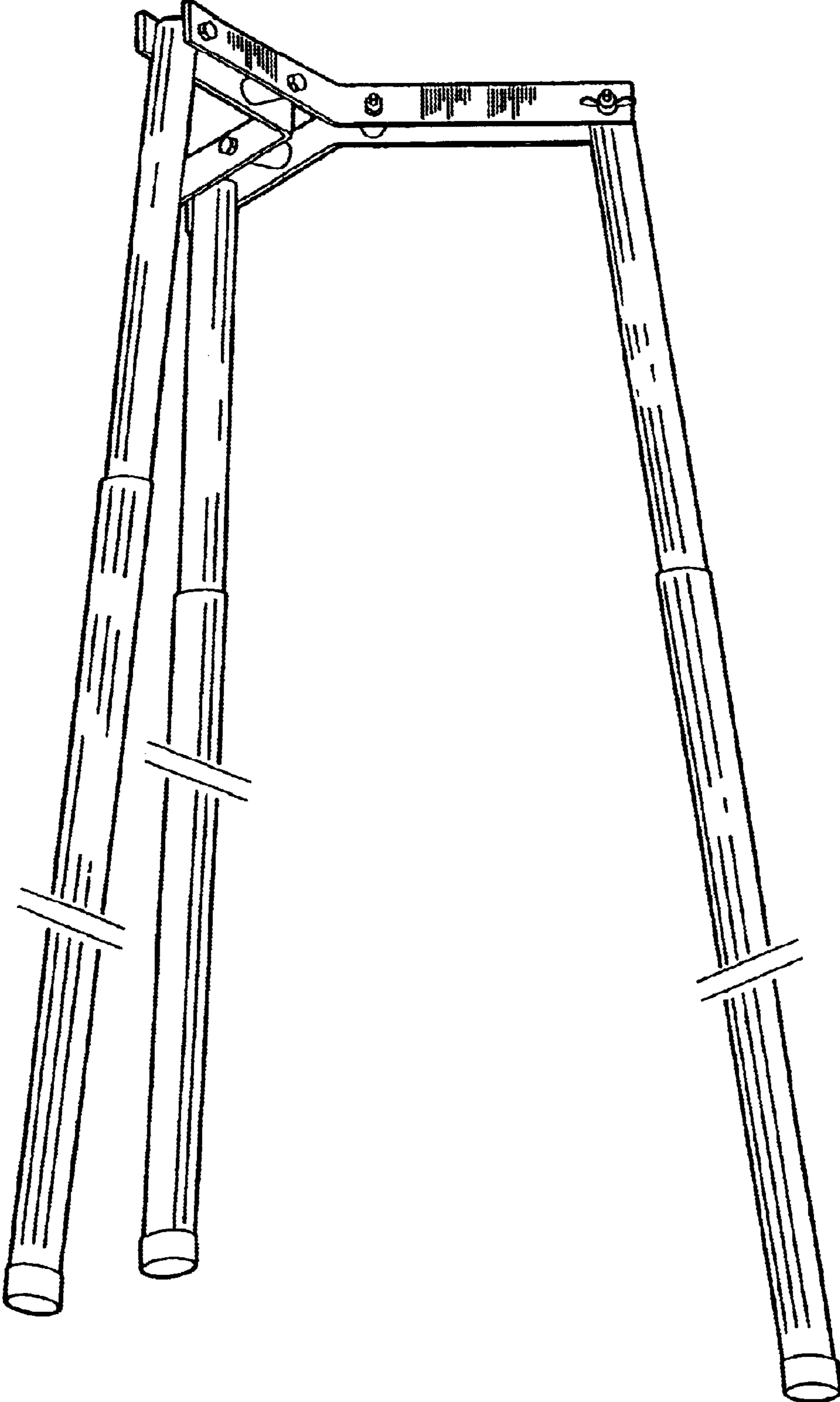


FIG. 6

