

US00D506432S

(12) **United States Design Patent**  
**Furlong**

(10) **Patent No.:** **US D506,432 S**

(45) **Date of Patent:** **\*\* Jun. 21, 2005**

(54) **TRIM TAB FOR A BOAT**

5,881,666 A \* 3/1999 Crews, Jr. .... 114/285

(75) Inventor: **Donn Furlong**, Marysville, WA (US)

\* cited by examiner

(73) Assignee: **Marine Hardware, Inc.**, Redmond, WA (US)

*Primary Examiner*—Holly Baynham  
*Assistant Examiner*—Cynthia M. Chin

(74) *Attorney, Agent, or Firm*—Jensen & Puntigam P.S.

(\*\*) Term: **14 Years**

(57) **CLAIM**

(21) Appl. No.: **29/203,595**

The ornamental design for a trim tab for a boat, as shown and described.

(22) Filed: **Apr. 16, 2004**

**DESCRIPTION**

(51) **LOC (8) Cl.** ..... **12-06**

(52) **U.S. Cl.** ..... **D12/317**

(58) **Field of Search** ..... D12/317, 300,  
D12/181; 114/39.15, 285, 286, 287

FIG. 1 is an isometric view of a trim tab for a boat, incorporating the inventive design;  
FIG. 2 is a front elevational view thereof;  
FIG. 3 is a rear elevational view thereof;  
FIG. 4 is a side elevational view thereof;  
FIG. 5 is a top plan view thereof; and,  
FIG. 6 is a bottom plan view thereof.

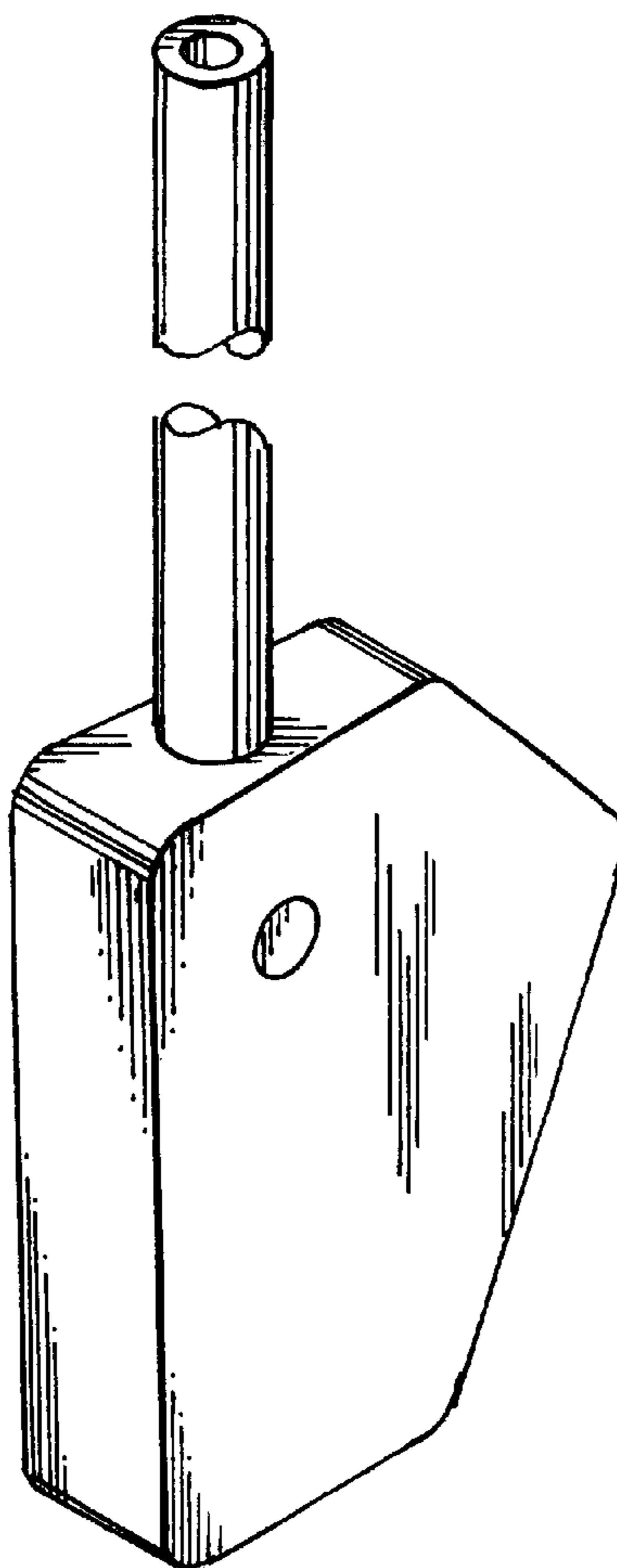
(56) **References Cited**

**U.S. PATENT DOCUMENTS**

2,400,782 A	*	5/1946	Randall	.....	114/285
3,200,782 A	*	8/1965	Walden et al.	.....	114/285
3,463,109 A	*	8/1969	Weiler	.....	114/286
D292,392 S	*	10/1987	Zepp et al.	.....	D12/317

The broken away portions in FIGS. 1–4 indicate indeterminate length.

**1 Claim, 1 Drawing Sheet**



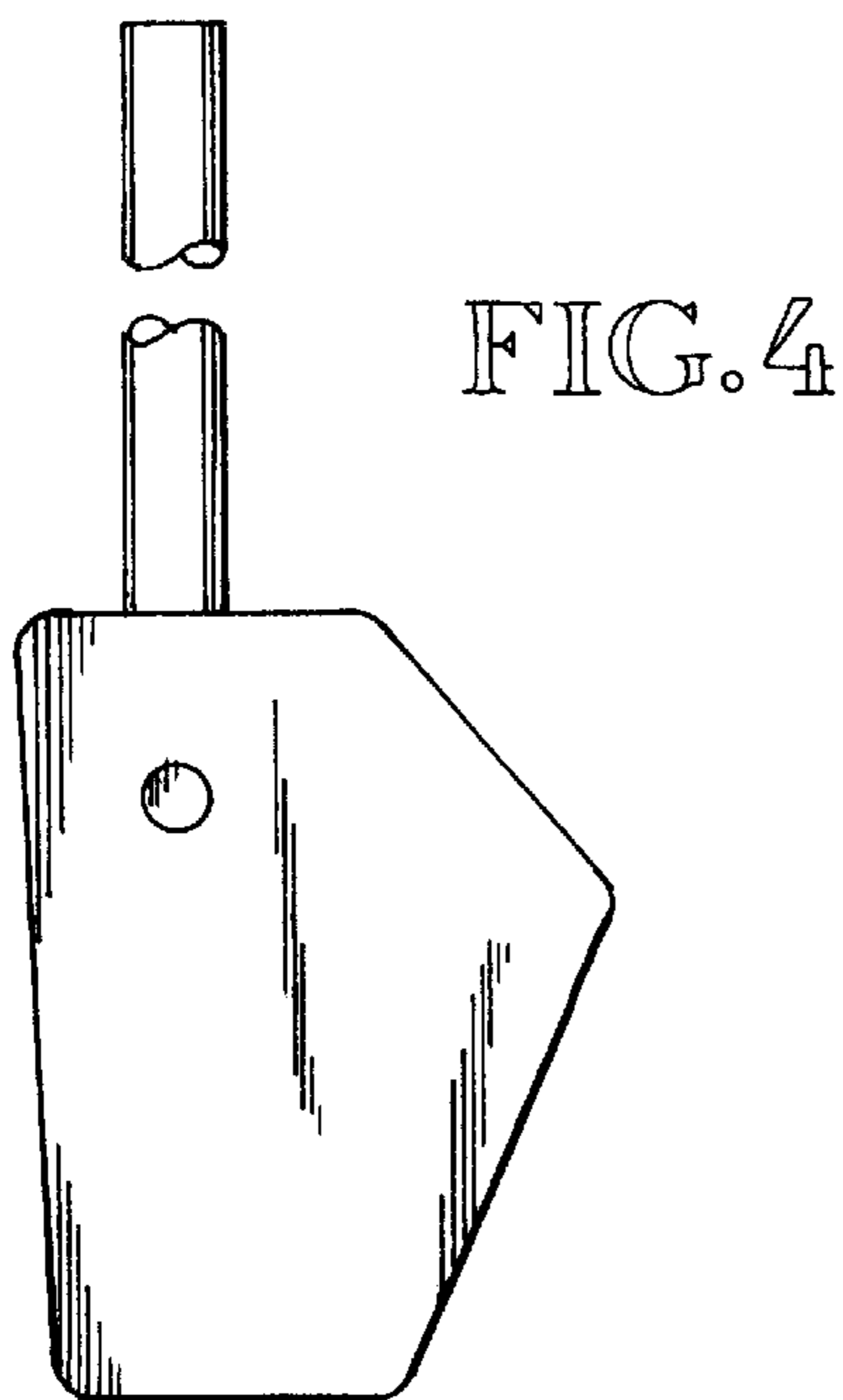
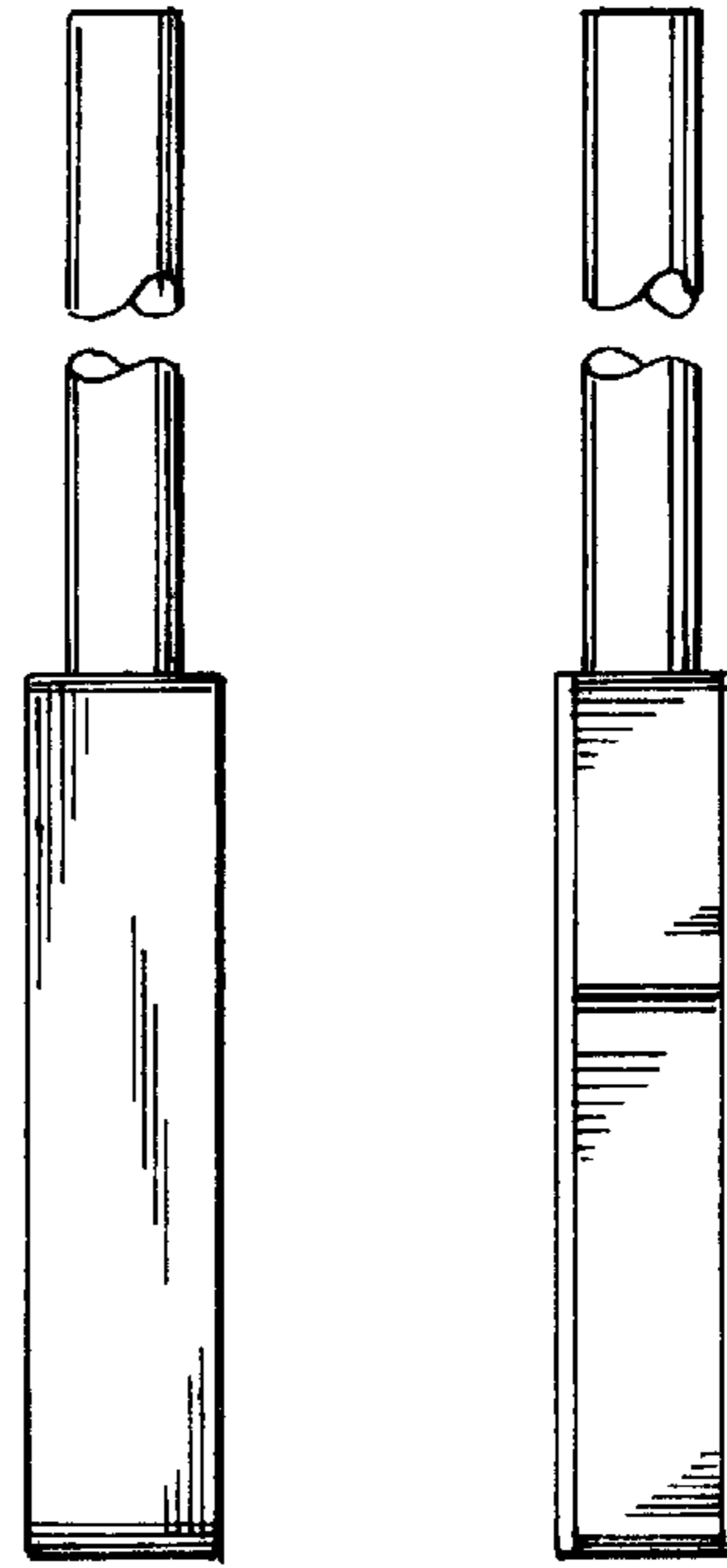
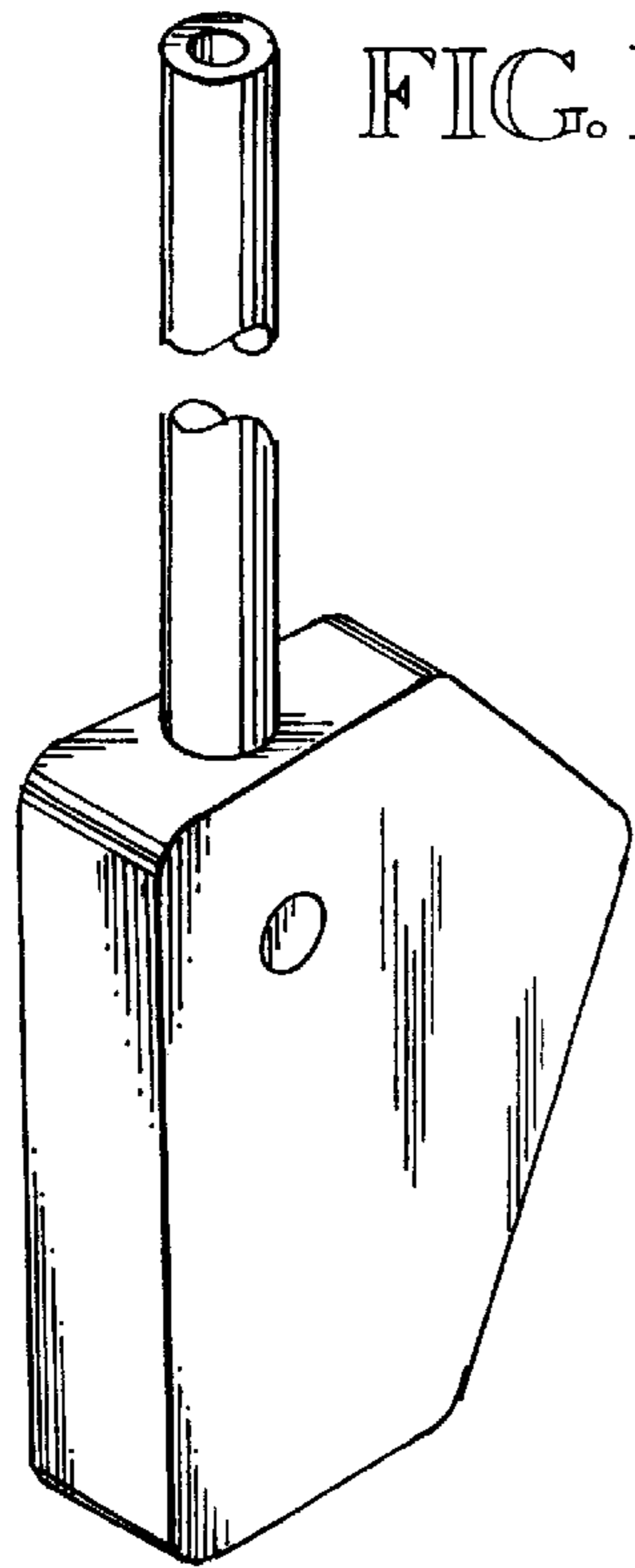


FIG. 5

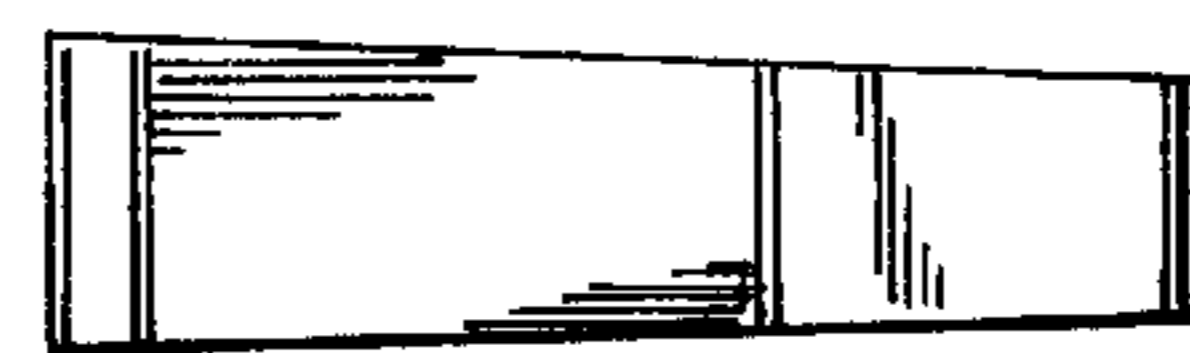


FIG. 6