

US00D506427S

(12) **United States Design Patent**
Weber

(10) **Patent No.:** **US D506,427 S**
(45) **Date of Patent:** **** Jun. 21, 2005**

(54) **VEHICLE RUNNING BOARD**

(75) Inventor: **Michael G. Weber**, Shelby Township,
MI (US)

(73) Assignee: **1102552 Ontario Ltd.**, Huntsville (CA)

(**) Term: **14 Years**

(21) Appl. No.: **29/193,058**

(22) Filed: **Nov. 3, 2003**

(51) **LOC (8) Cl.** **12-16**

(52) **U.S. Cl.** **D12/203**

(58) **Field of Search** D12/203, 190,
D12/85-87; 280/163, 164.1, 153.5, 848,
607, 87.042, 842; 182/90-92; 428/81-82;
D25/62, 69; 180/182-185, 190, 193; 238/14;
D21/765, 769

(56) **References Cited**

U.S. PATENT DOCUMENTS

D249,501 S	*	9/1978	Chapman	D12/203
D345,406 S	*	3/1994	Shankland et al.	D21/765
D349,935 S	*	8/1994	Simonson, Eric	D21/769
D395,267 S	*	6/1998	Thompson	D12/203
D395,268 S	*	6/1998	Tucker	D12/203
D436,336 S	*	1/2001	Sadr	D12/203
D444,754 S	*	7/2001	Storer	D12/203
D456,047 S	*	4/2002	Mandic	D21/765

D474,435 S	*	5/2003	Lund et al.	D12/203
D487,716 S	*	3/2004	Weber	D12/203
D491,863 S	*	6/2004	Weber	D12/203

* cited by examiner

Primary Examiner—Stacia Cadmus

(74) *Attorney, Agent, or Firm*—Harness, Dickey & Pierce,
PLC

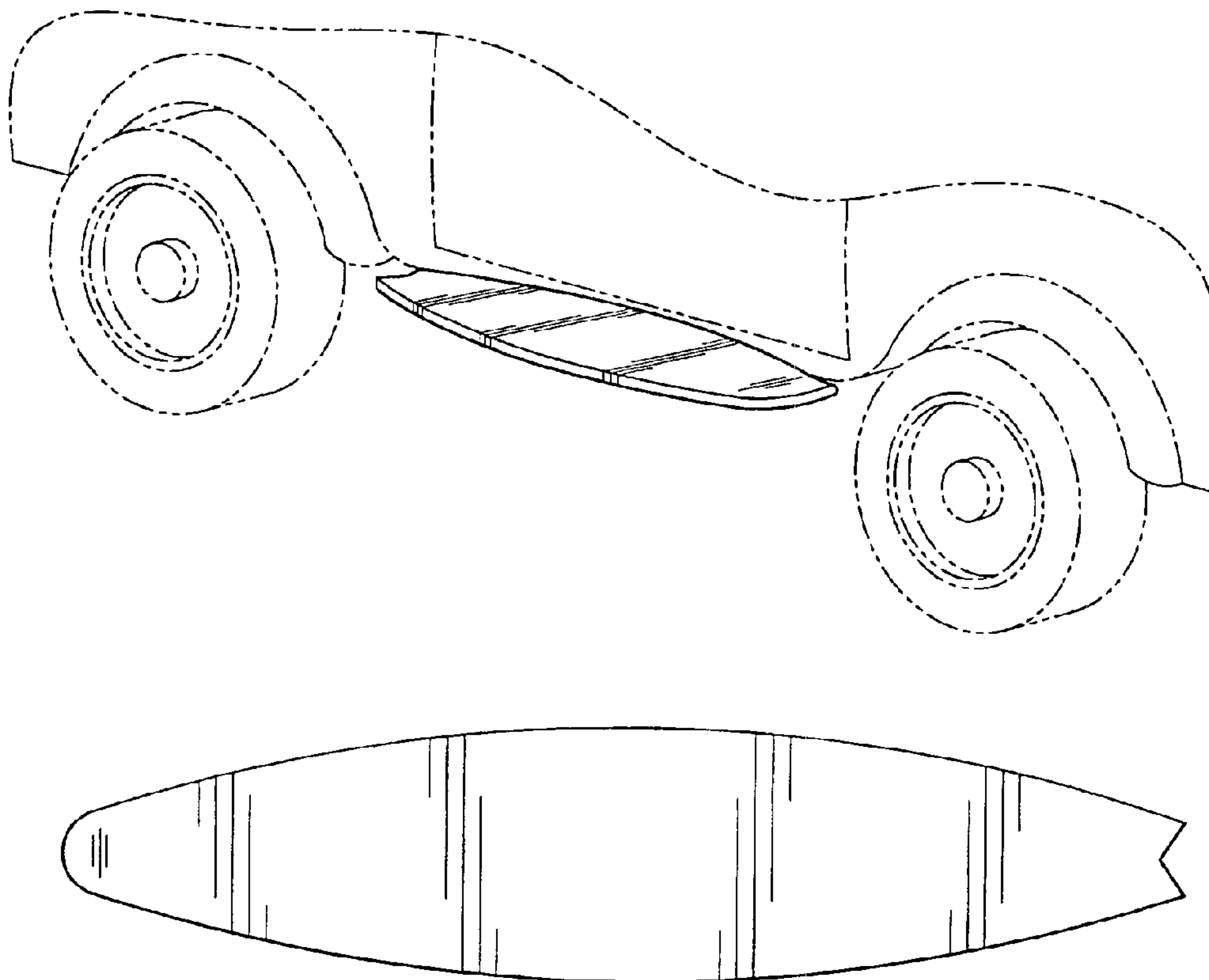
(57) **CLAIM**

The ornamental design for a vehicle running board, as shown and described.

DESCRIPTION

FIG. 1 is a front and left perspective view of a vehicle running board embodying the design;
 FIG. 2 is a top plan view of a vehicle running board shown in FIG. 1 embodying the design;
 FIG. 3 is a bottom plan view of a vehicle running board shown in FIG. 1 embodying the design;
 FIG. 4 is a left side view of a vehicle running board shown in FIG. 1 embodying the design; and,
 FIG. 5 is a front end view of a vehicle running board shown in FIG. 1 embodying the design.
 The broken lines are for environmental purposes only and form no part of the claimed design.
 FIGS. 2-5 are shown on an enlarged scale as compared with FIG. 1.

1 Claim, 2 Drawing Sheets



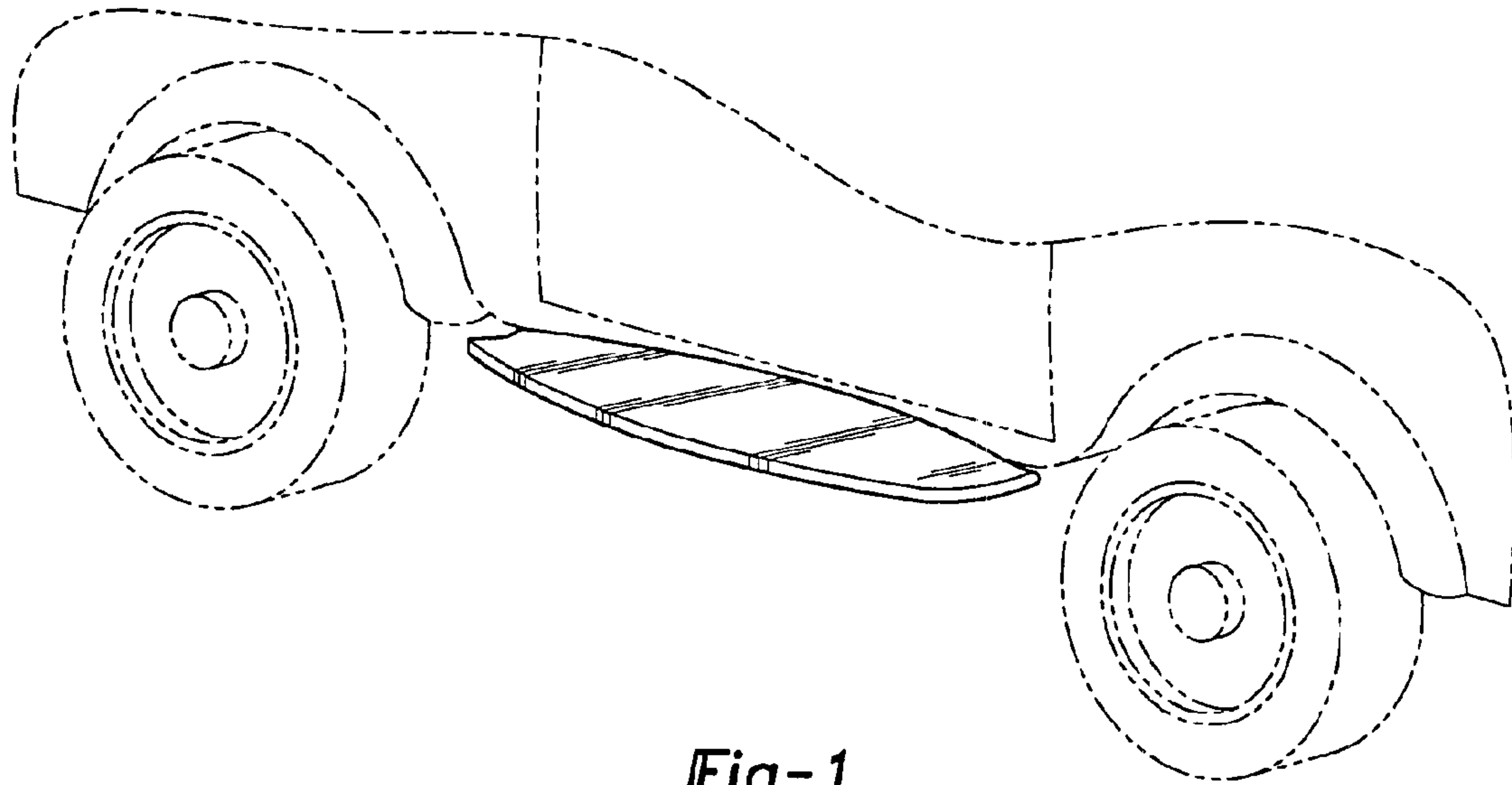


Fig-1

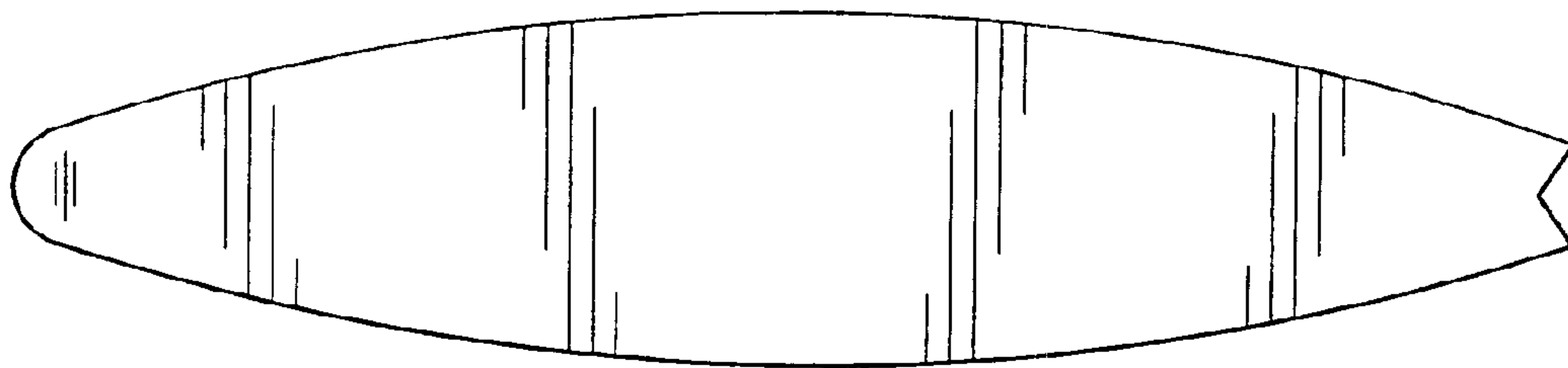


Fig-2

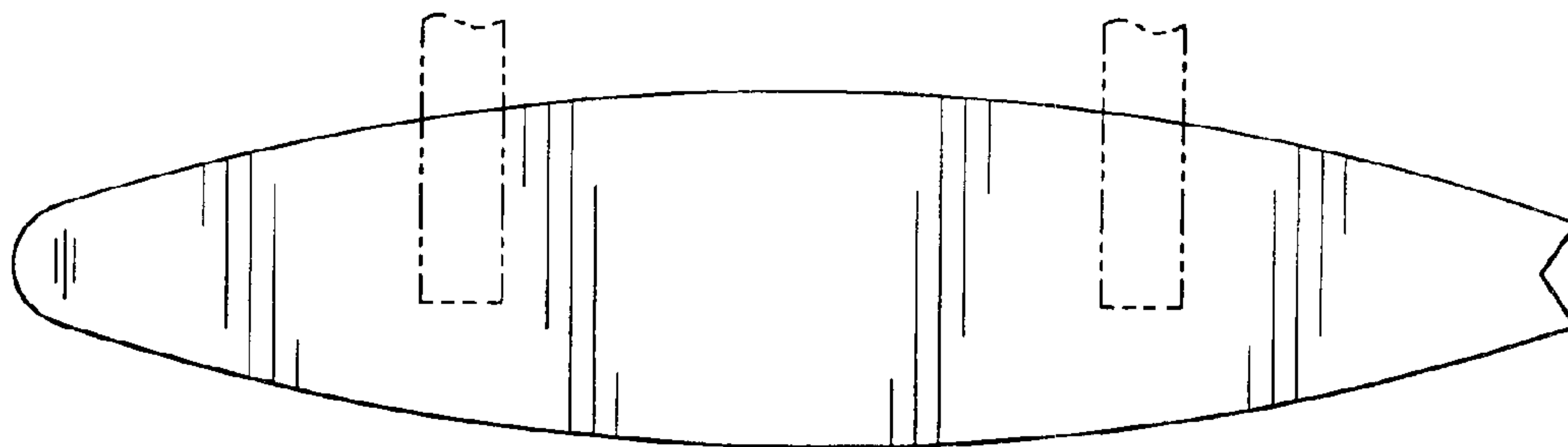


Fig-3

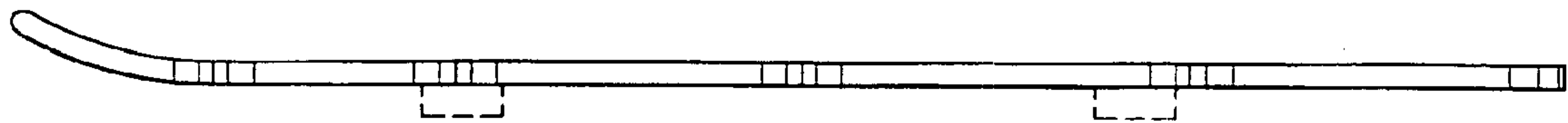


Fig-4

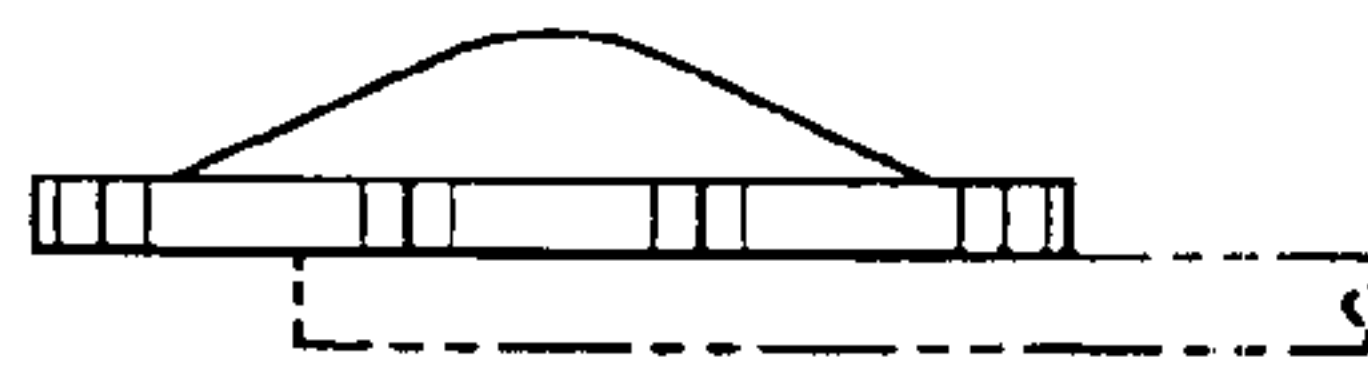


Fig-5