

US00D506421S

(12) **United States Design Patent**  
**Newbill**

(10) **Patent No.:** **US D506,421 S**

(45) **Date of Patent:** **\*\* Jun. 21, 2005**

(54) **VEHICLE REAR BUMPER**

D455,988 S \* 4/2002 McGuiness ..... D12/171  
D487,038 S \* 2/2004 Chan ..... D12/169

(76) Inventor: **Anthony J. Newbill**, P.O. Box 21360,  
Wickenburg, AZ (US) 85358

\* cited by examiner

(\*\*) Term: **14 Years**

*Primary Examiner*—Melody N. Brown  
(74) *Attorney, Agent, or Firm*—James D. Givnan, Jr.

(21) Appl. No.: **29/208,581**

(57) **CLAIM**

(22) Filed: **Jun. 30, 2004**

The ornamental design for a vehicle rear bumper, as shown and described.

(51) **LOC (8) Cl.** ..... **12-16**

(52) **U.S. Cl.** ..... **D12/169**

(58) **Field of Search** ..... D12/90-92, 86,  
D12/169, 196, 171; 296/180.1, 180.2; 293/102,  
113, 115, 117, 120

**DESCRIPTION**

FIG. 1 is an upward perspective view of the vehicle rear bumper;

FIG. 2 is a front elevational view;

FIG. 3 is a bottom plan view;

FIG. 4 is a top plan view;

FIG. 5 is a side elevational view taken from the right side of FIG. 2; and,

FIG. 6 is a rear elevational view.

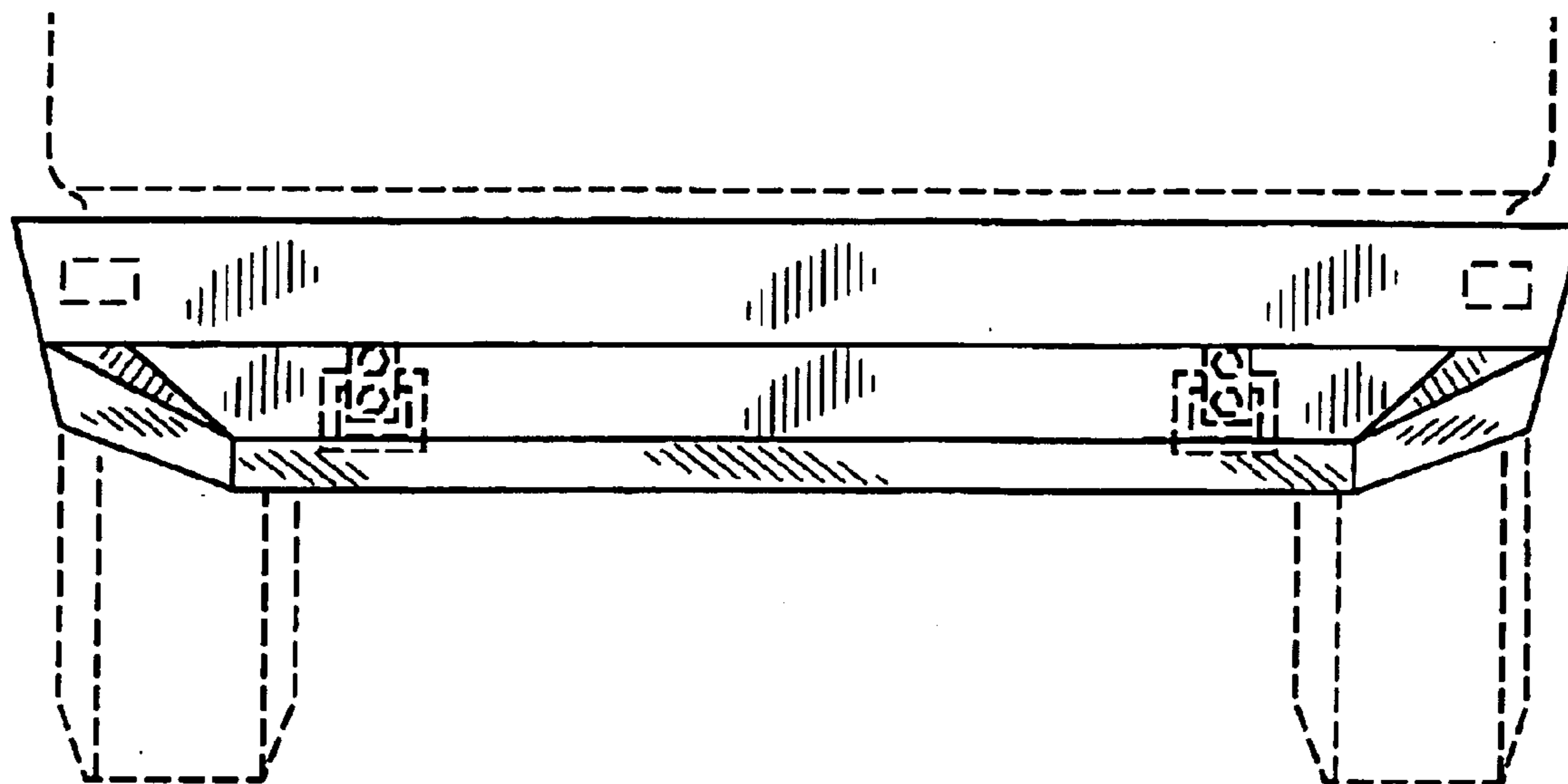
The broken lines shown throughout the drawing are for illustrative purposes only and form no part of the claimed design.

(56) **References Cited**

**U.S. PATENT DOCUMENTS**

D360,865 S	*	8/1995	Hanson	.....	D12/169
D420,634 S	*	2/2000	Nelson	.....	D12/169
D425,837 S	*	5/2000	Runfola	.....	D12/169
D431,506 S	*	10/2000	Runfola	.....	D12/169
D454,098 S	*	3/2002	McGuiness	.....	D12/171
D454,099 S	*	3/2002	McGuiness	.....	D12/171
D454,817 S	*	3/2002	McGuiness	.....	D12/171

**1 Claim, 2 Drawing Sheets**



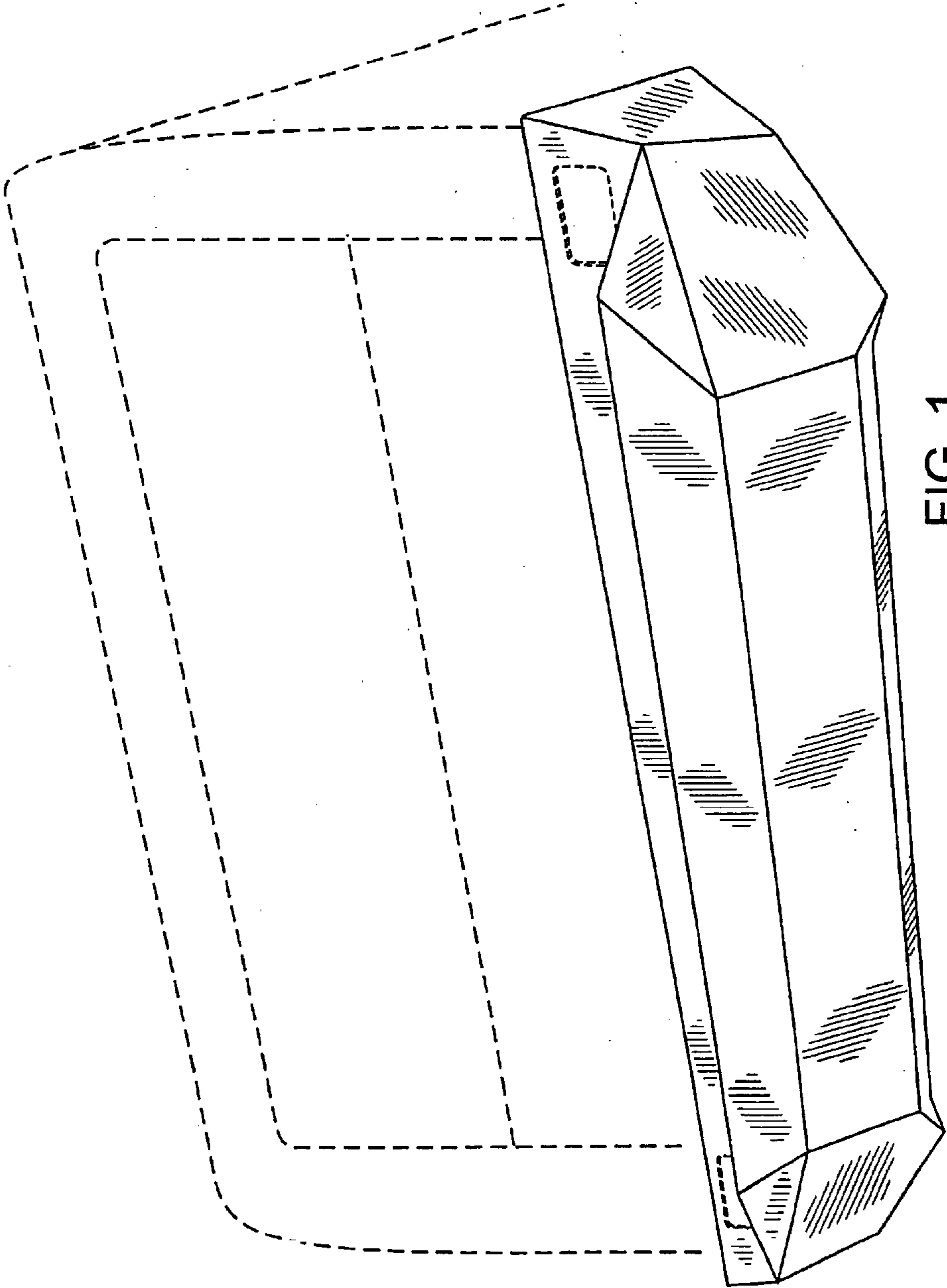


FIG. 1

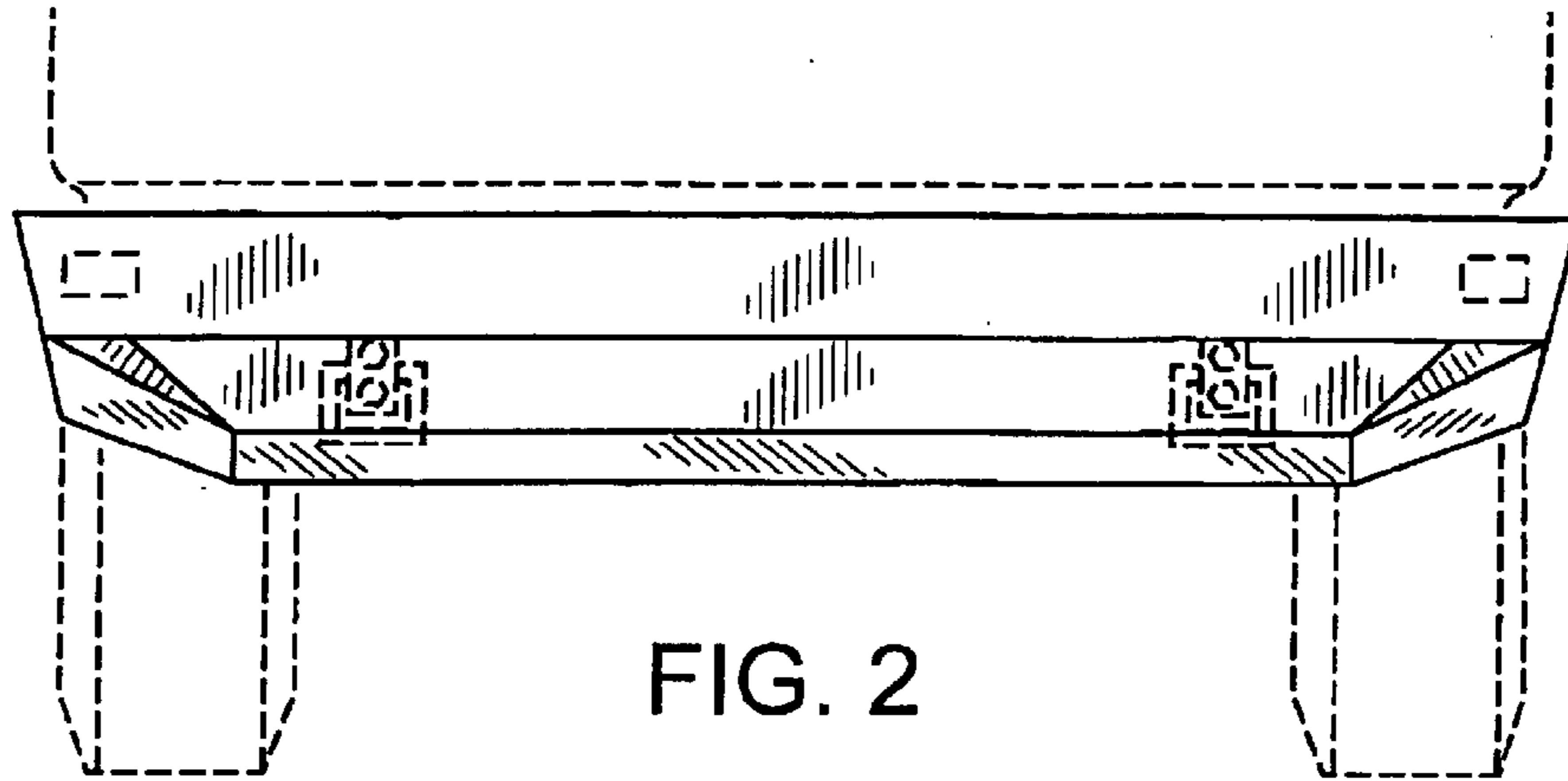


FIG. 2

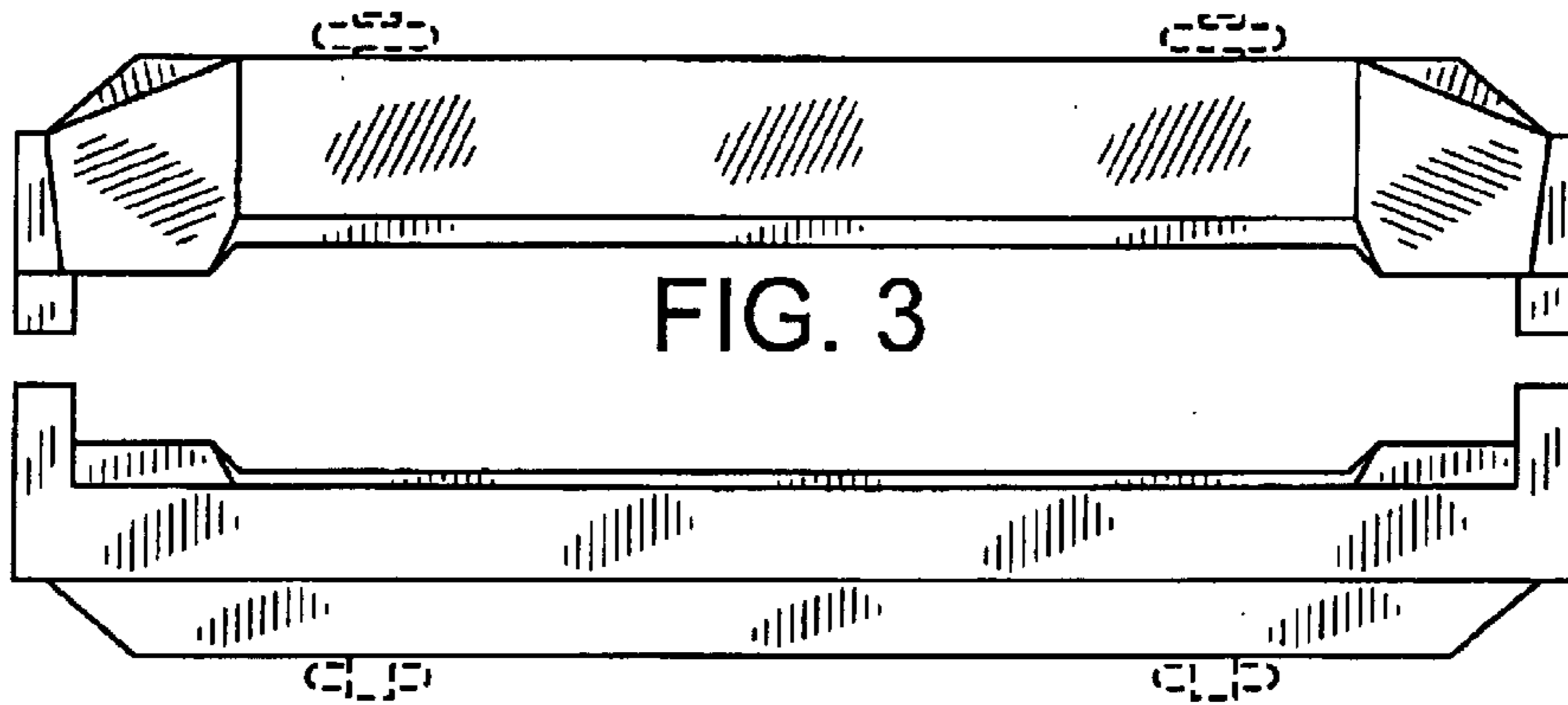


FIG. 3

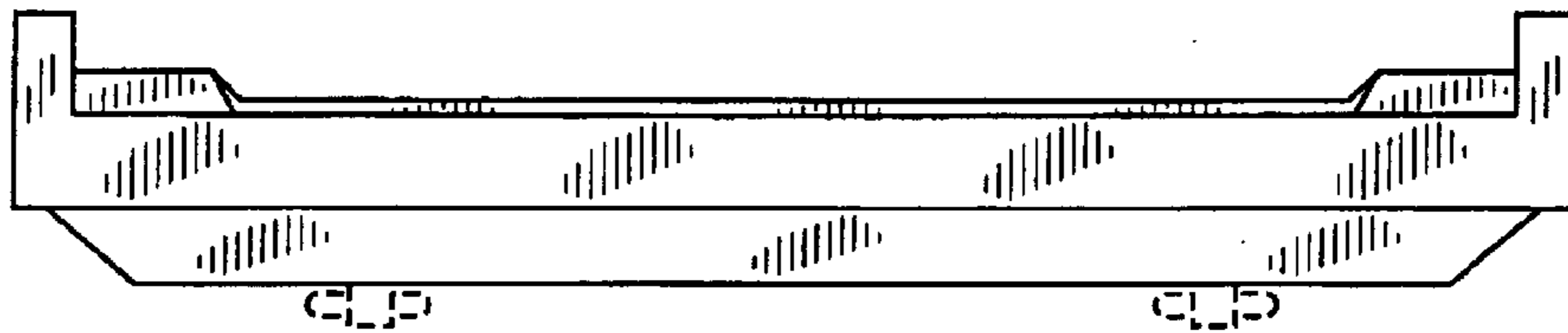


FIG. 4

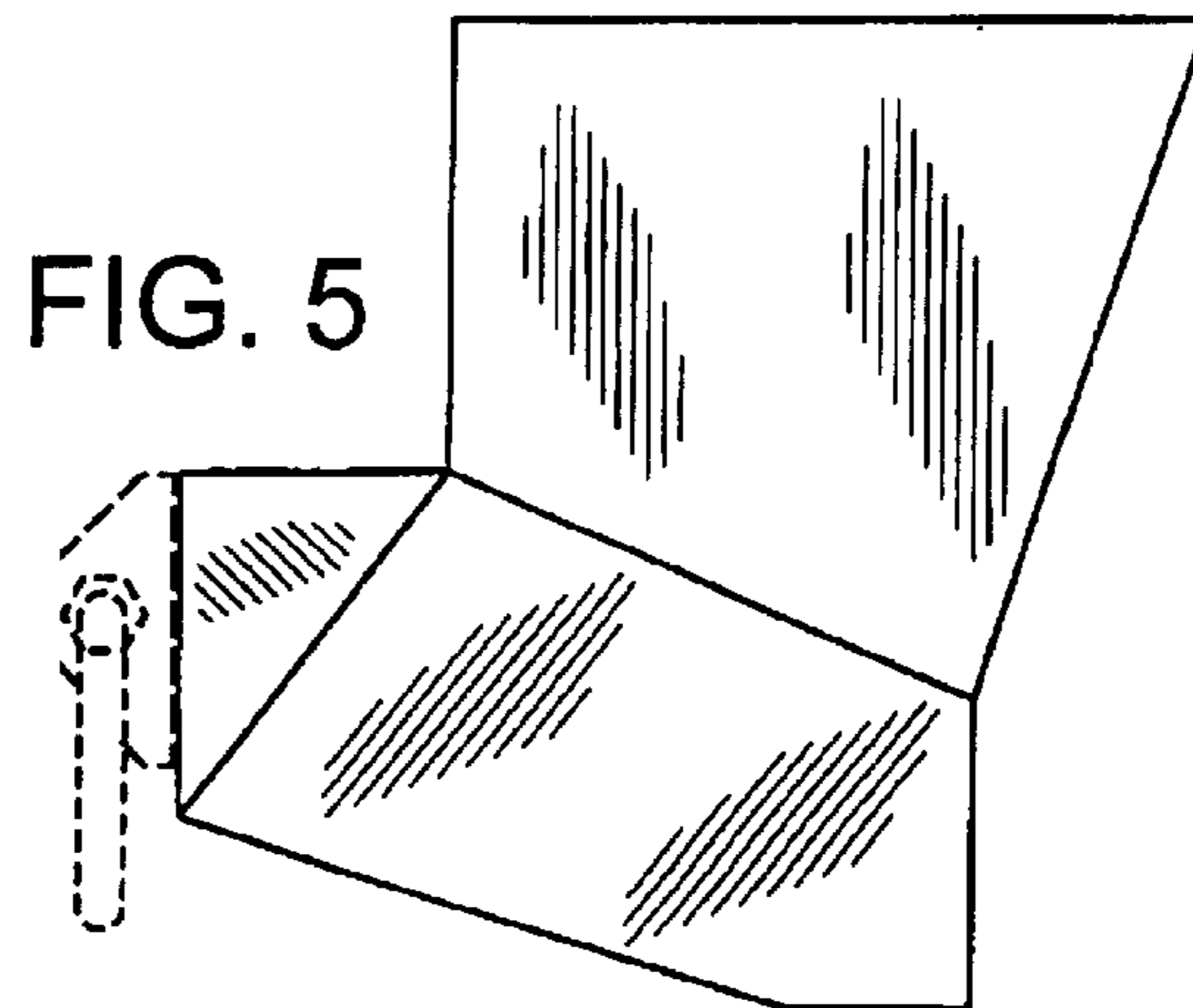


FIG. 5

FIG. 6

