

US00D506420S

(12) **United States Design Patent**
Wu

(10) **Patent No.:** **US D506,420 S**

(45) **Date of Patent:** **** Jun. 21, 2005**

(54) **RADIATOR GRILLE**

D447,451 S * 9/2001 Im D12/163
D494,896 S * 8/2004 Platto et al. D12/163

(76) Inventor: **Yung-Hsiang Wu**, No. 97, Lane 197,
Sec. 1, Tatung Road, Tainan City (TW)

* cited by examiner

(**) Term: **14 Years**

Primary Examiner—Melody N. Brown
(74) *Attorney, Agent, or Firm*—Charles E. Baxley

(21) Appl. No.: **29/202,707**

(57) **CLAIM**

(22) Filed: **Apr. 1, 2004**

The ornamental design for a radiator grille, as shown.

(51) **LOC (8) Cl.** **12-16**

(52) **U.S. Cl.** **D12/163**

(58) **Field of Search** D12/163, 171,
D12/90-92, 216, 169, 196; 180/68.1, 68.6;
296/194

DESCRIPTION

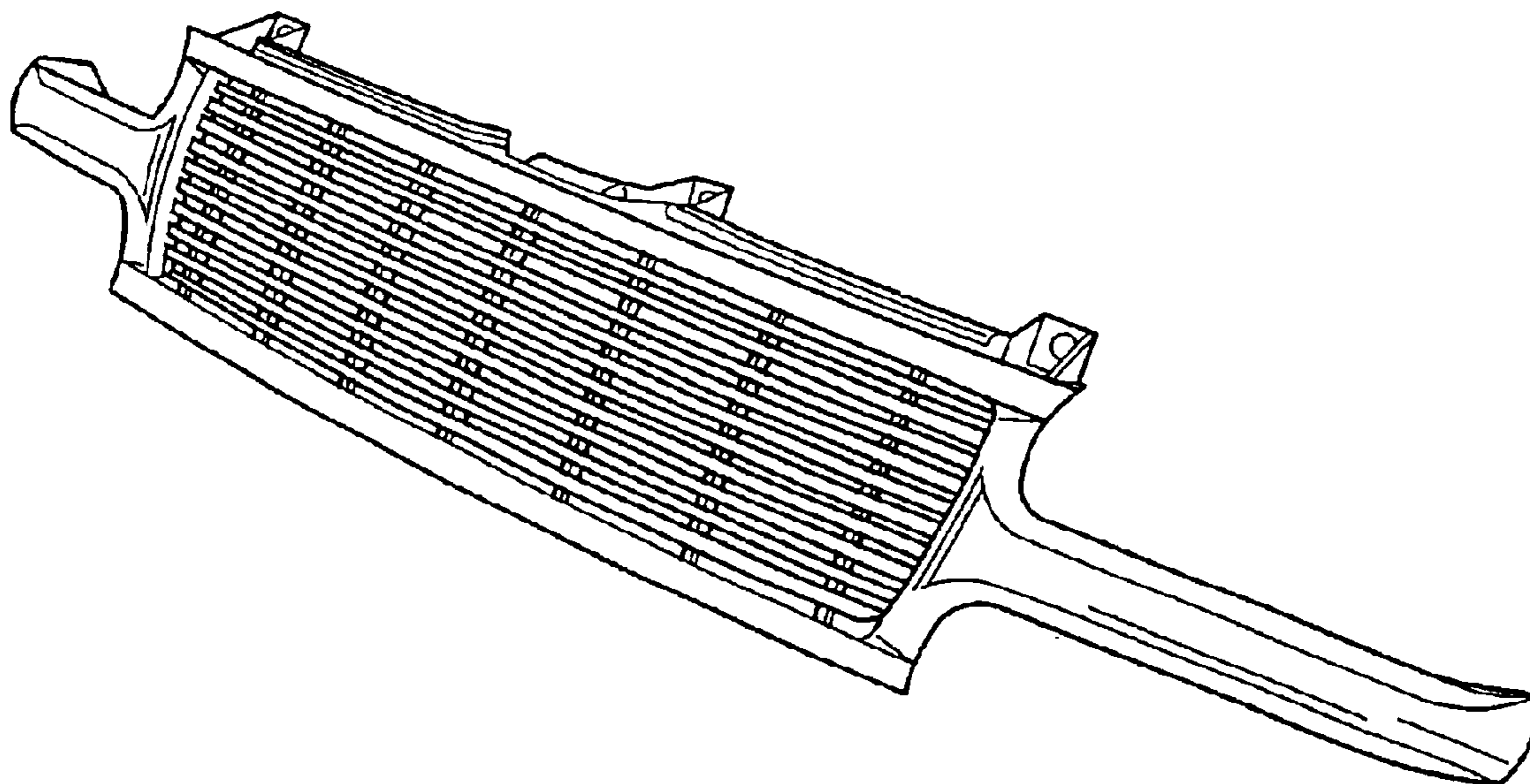
FIG. 1 is a perspective view of a radiator grille showing my new design;
FIG. 2 is a front elevation view thereof;
FIG. 3 is a rear elevation view thereof;
FIG. 4 is a left side elevation view thereof;
FIG. 5 is a right side elevation view thereof;
FIG. 6 is a top plan view thereof; and,
FIG. 7 is a bottom plan view thereof.

(56) **References Cited**

U.S. PATENT DOCUMENTS

D289,750 S * 5/1987 Oki D12/163
D305,112 S * 12/1989 Fukagawa D12/163
D306,151 S * 2/1990 Koga D12/163
D434,355 S * 11/2000 Morita et al. D12/163

1 Claim, 4 Drawing Sheets



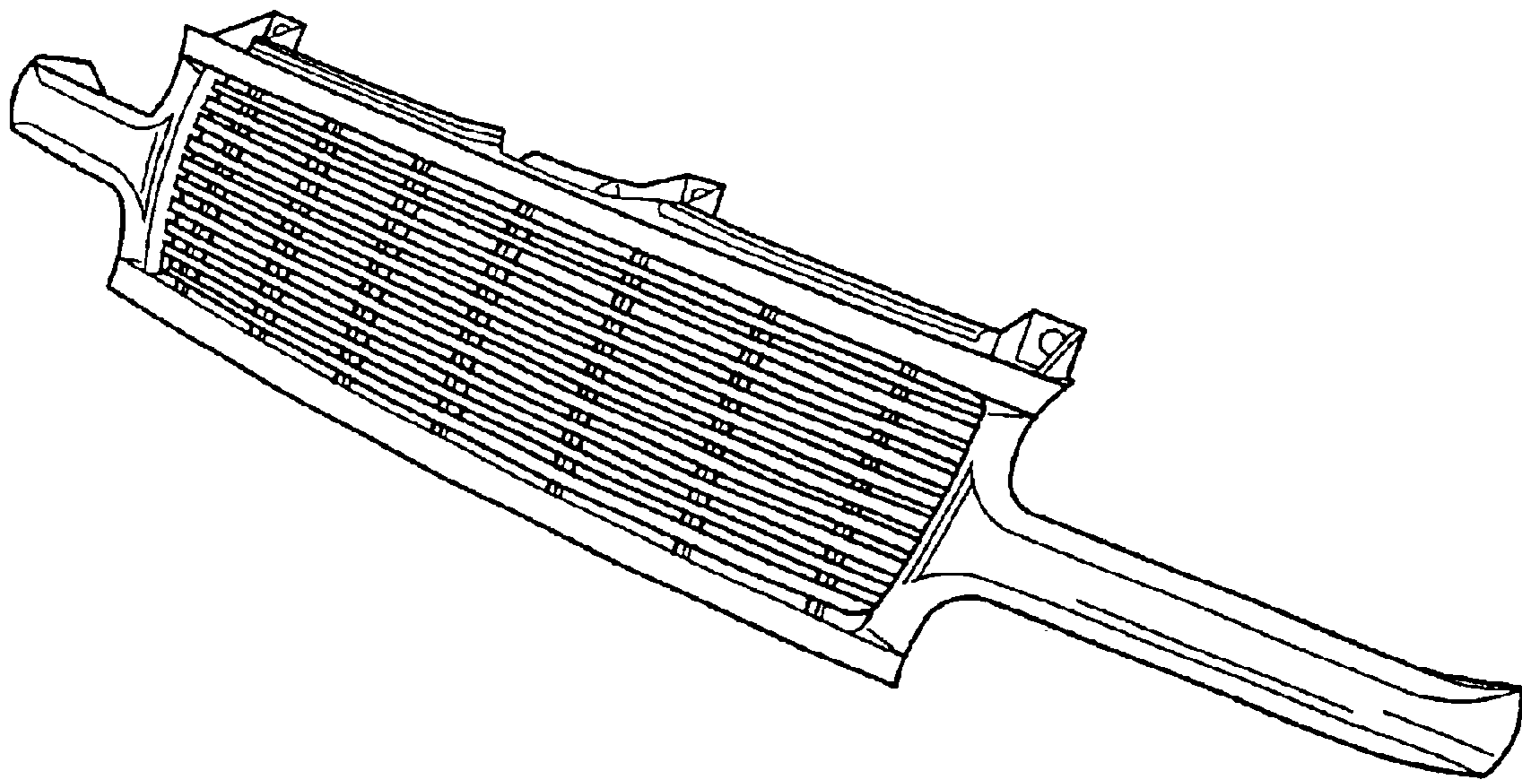


FIG . 1

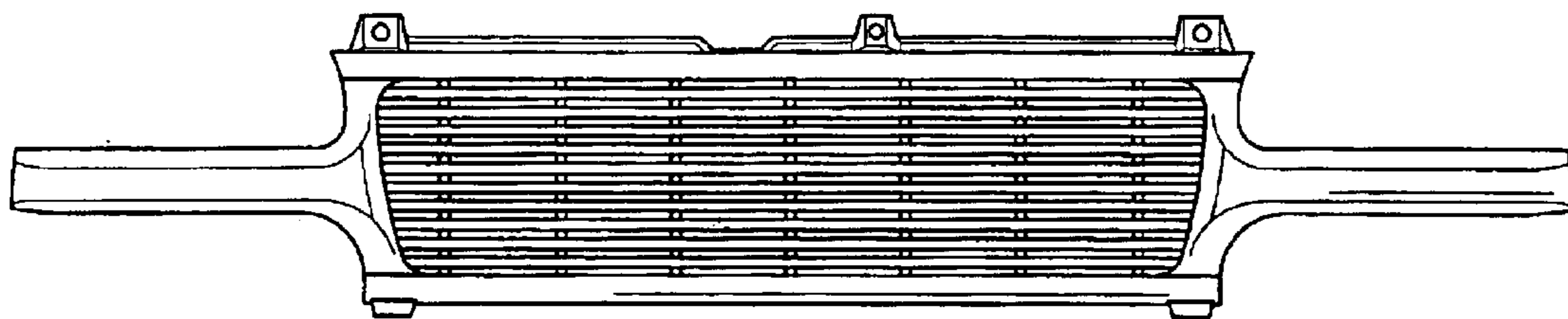


FIG. 2

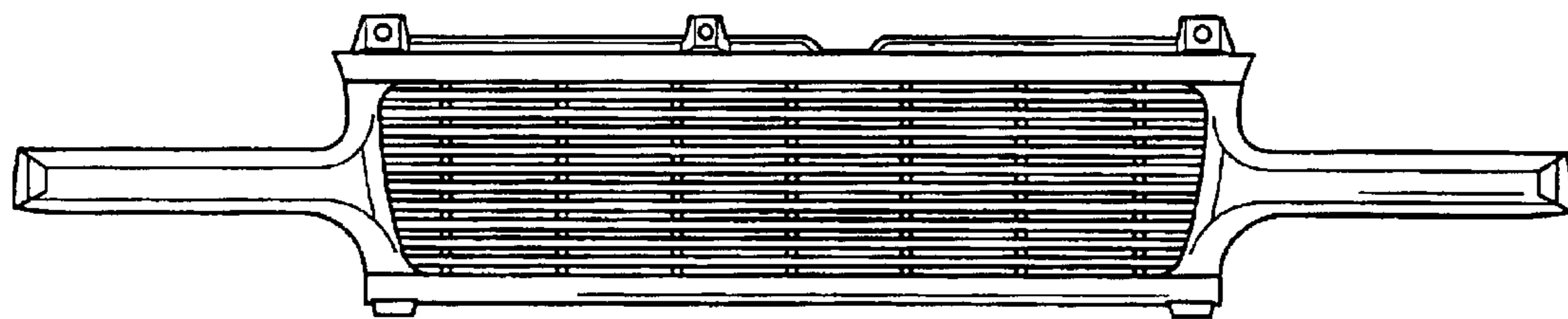


FIG. 3

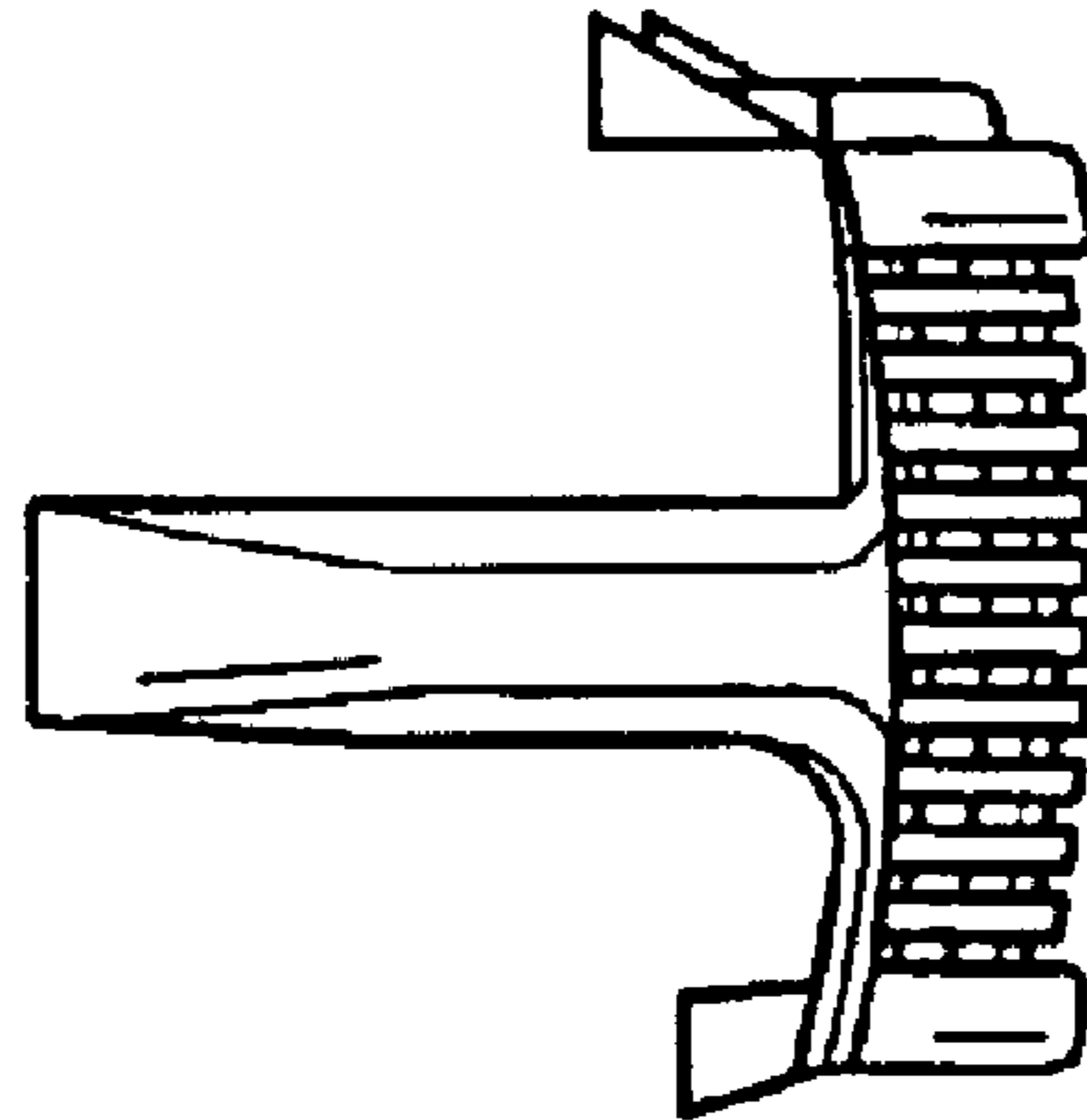


FIG. 4

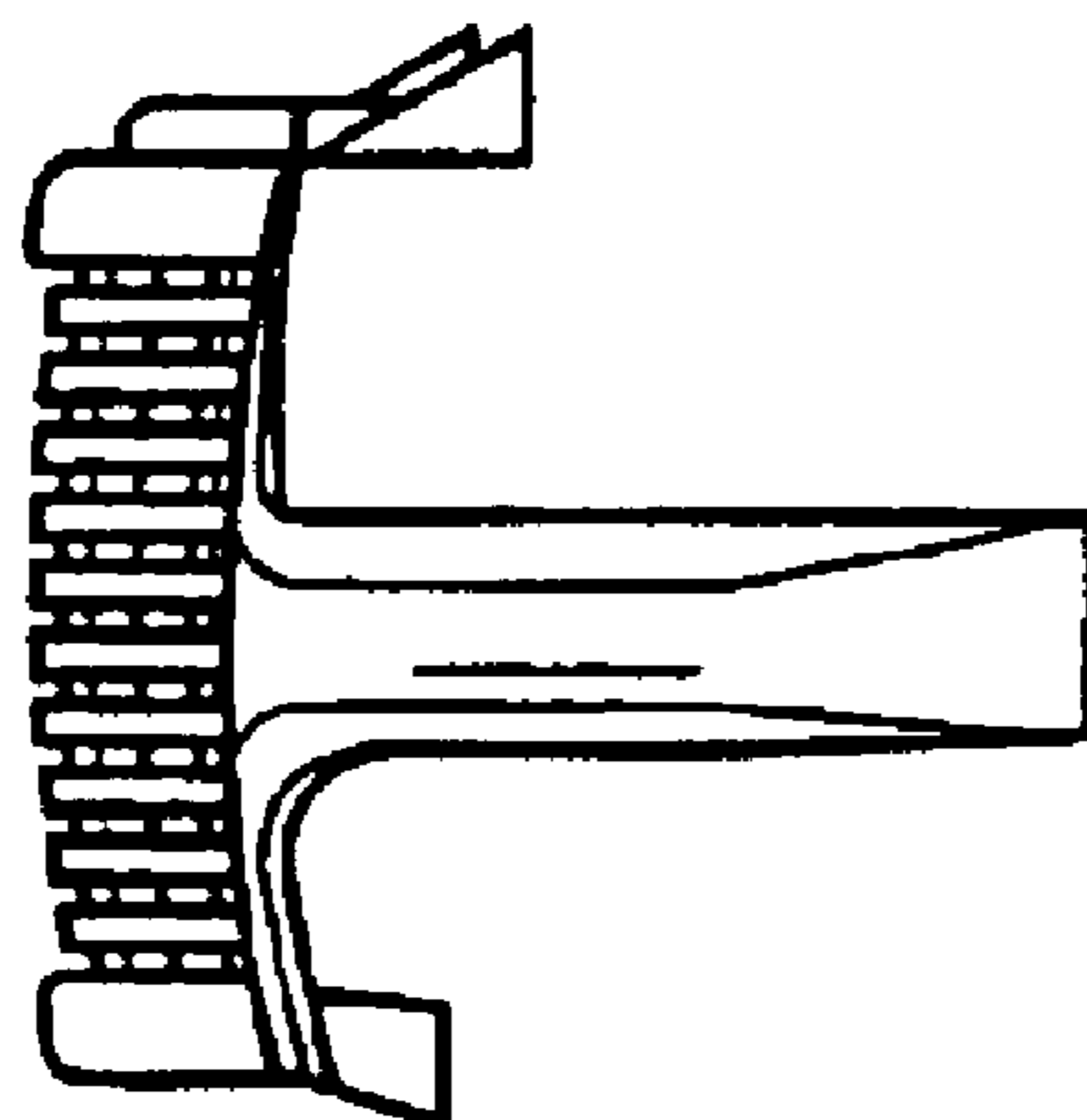


FIG. 5

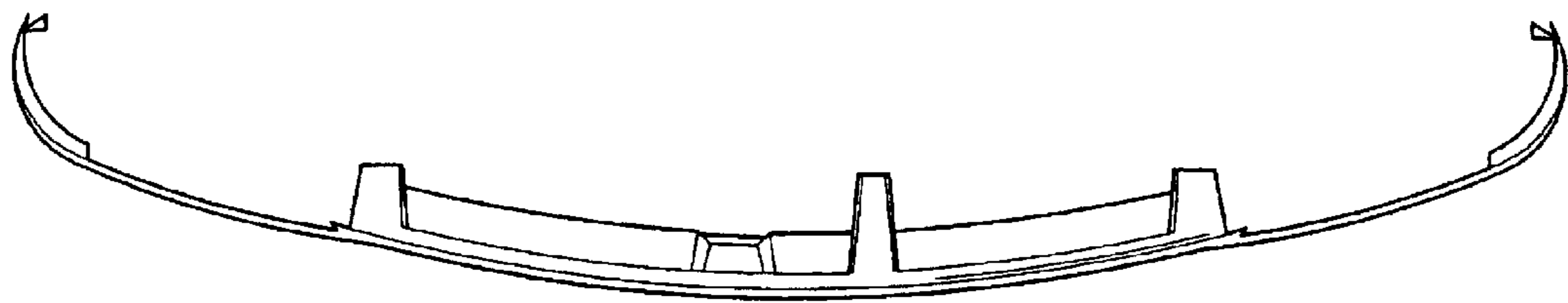


FIG. 6

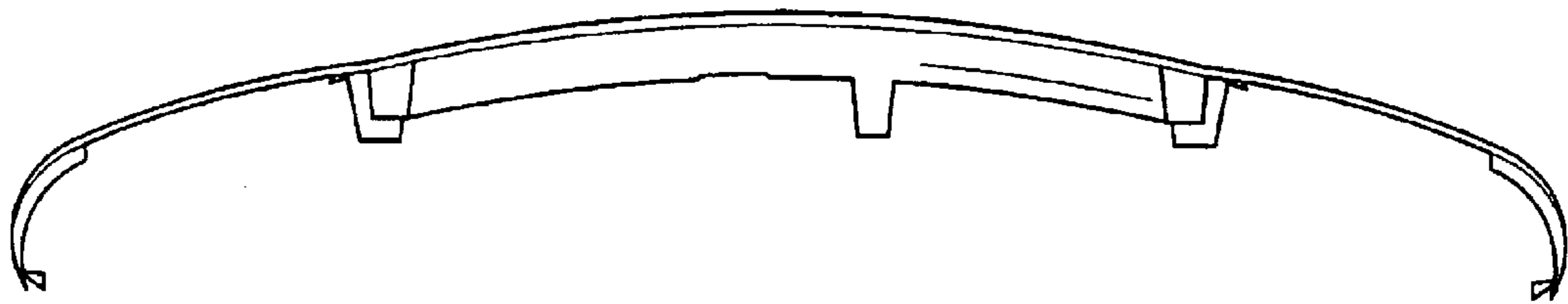


FIG. 7