

US00D506418S

(12) **United States Design Patent**
Liao

(10) **Patent No.:** **US D506,418 S**
(45) **Date of Patent:** **** Jun. 21, 2005**

(54) **BABY STROLLER**

D486,427 S * 2/2004 Garza D12/129
D498,713 S * 11/2004 Chou D12/129

(75) Inventor: **Gordon Liao, Yung Kang (TW)**

* cited by examiner

(73) Assignee: **Unique Product & Design Co., Ltd.,
Yung Kang (TW)**

Primary Examiner—Marcus A. Jackson

(74) *Attorney, Agent, or Firm*—Alan D. Kamrath; Nikolai
& Mersereau, P.A.

(**) Term: **14 Years**

(57) **CLAIM**

(21) Appl. No.: **29/214,548**

The ornamental design for a baby stroller, as shown and
described.

(22) Filed: **Oct. 5, 2004**

DESCRIPTION

(51) **LOC (8) Cl.** **12-12**

(52) **U.S. Cl.** **D12/129**

(58) **Field of Search** D12/128-133;
280/36, 38, 42, 47, 67, 641-643, 650, 658

FIG. 1 is a perspective view of a baby stroller showing my
design;

FIG. 2 is a front elevational view thereof;

FIG. 3 is a rear elevational view thereof;

FIG. 4 is a left side elevational view thereof;

FIG. 5 is a right side elevational view thereof;

FIG. 6 is a top plan view thereof; and,

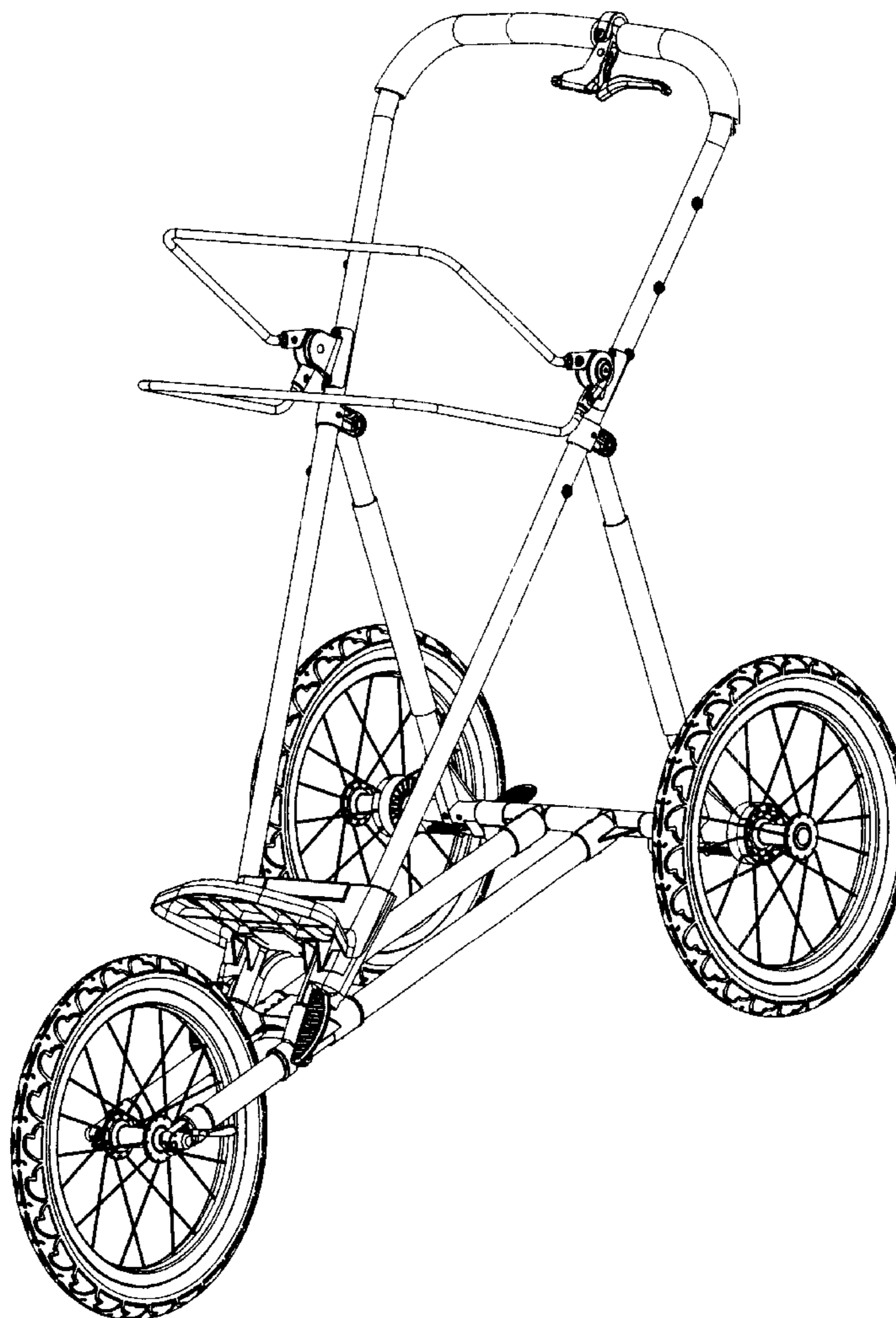
FIG. 7 is a bottom plan view thereof.

(56) **References Cited**

U.S. PATENT DOCUMENTS

D463,762 S * 10/2002 Everett D12/129
D475,951 S * 6/2003 Everett D12/129
D481,976 S * 11/2003 Everett D12/129

1 Claim, 5 Drawing Sheets



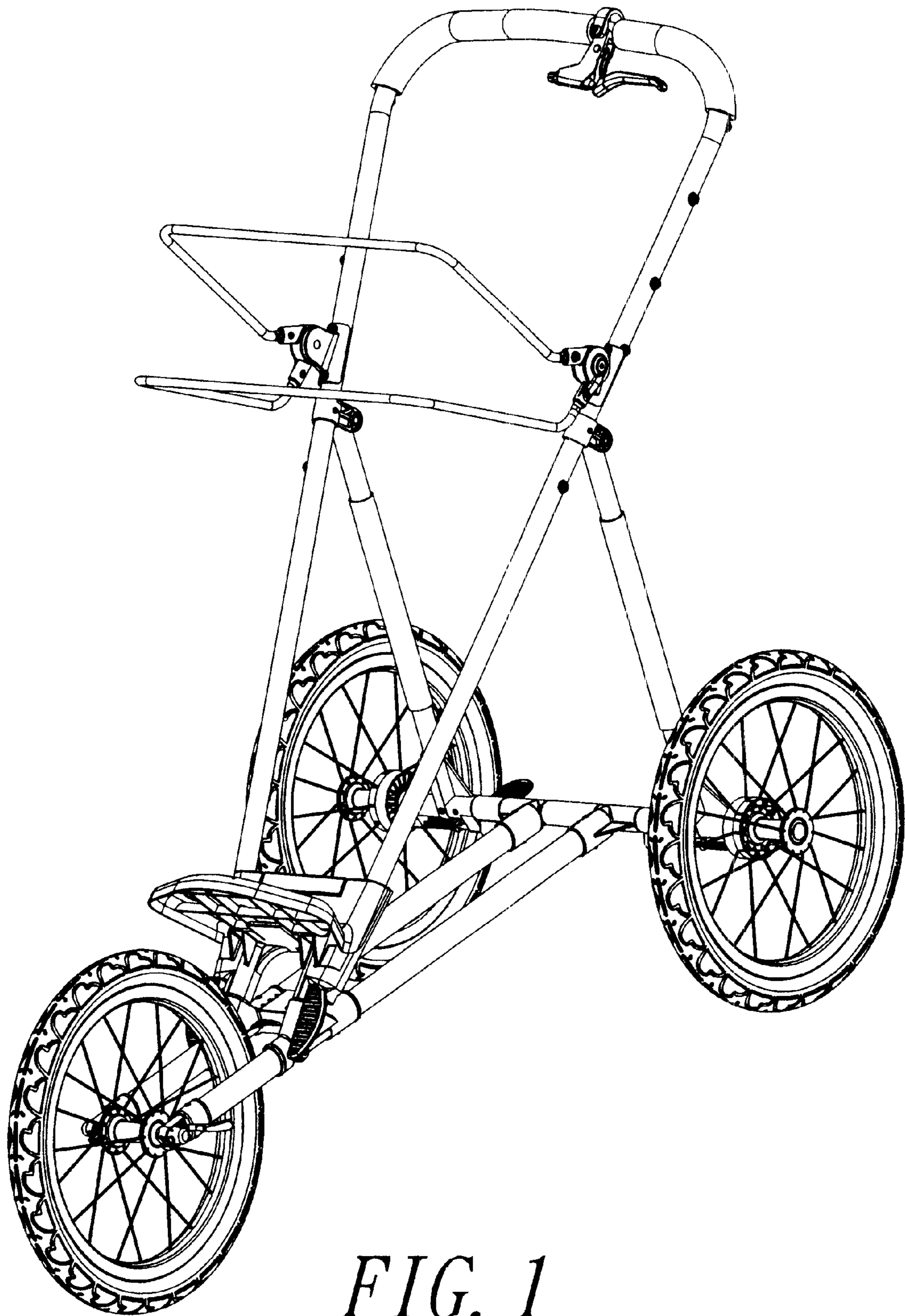


FIG. 1

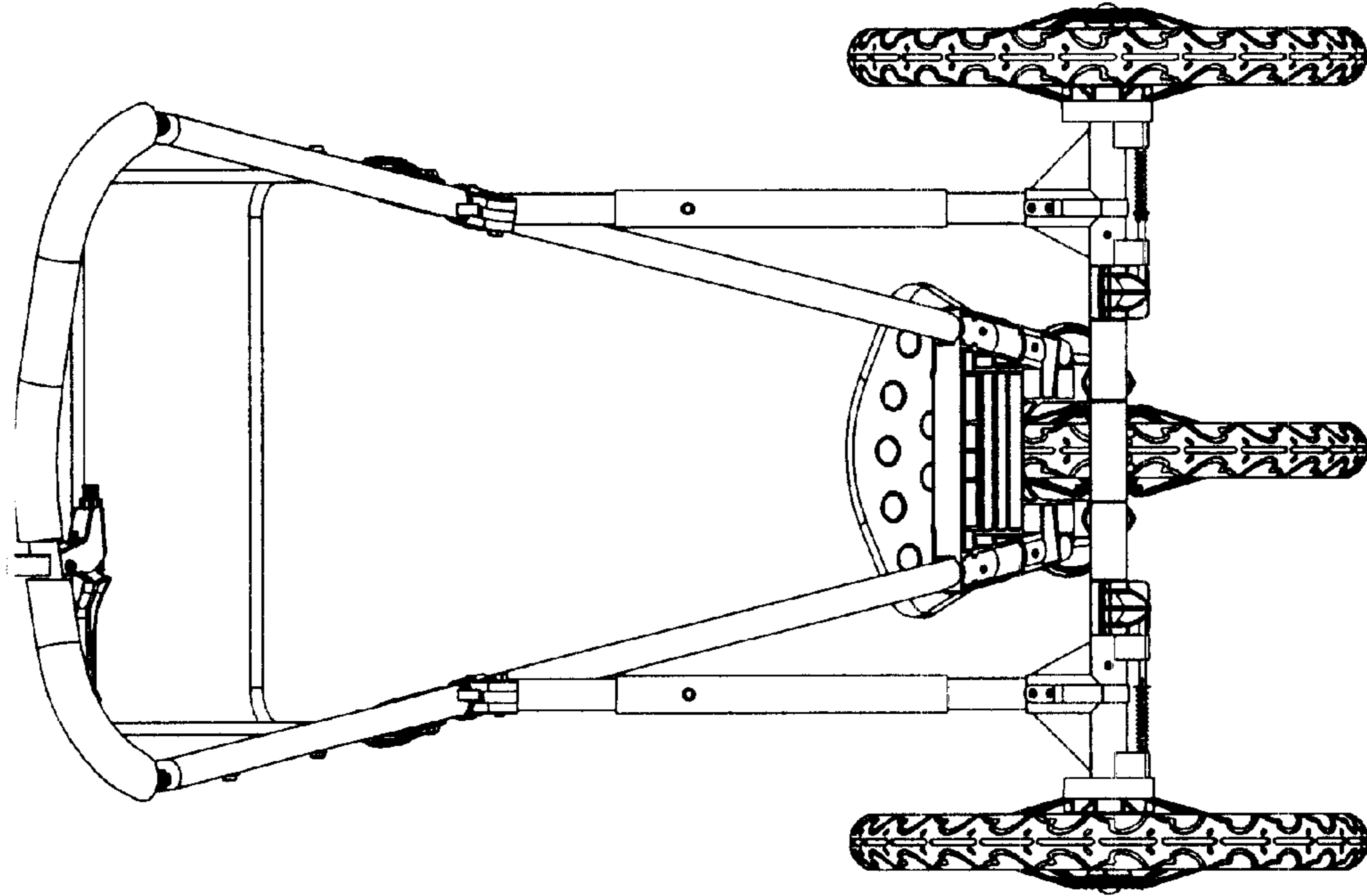


FIG. 3

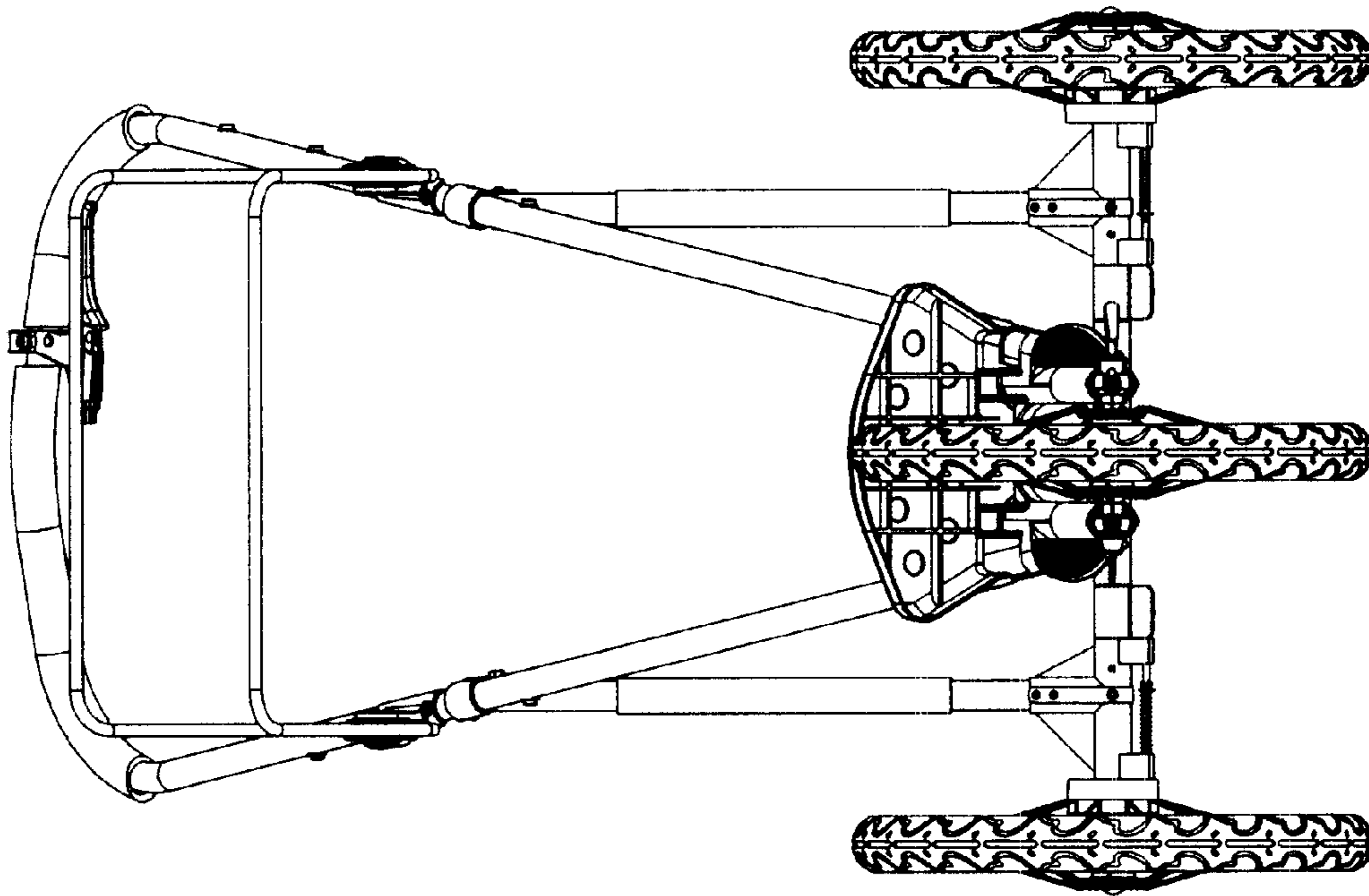


FIG. 2

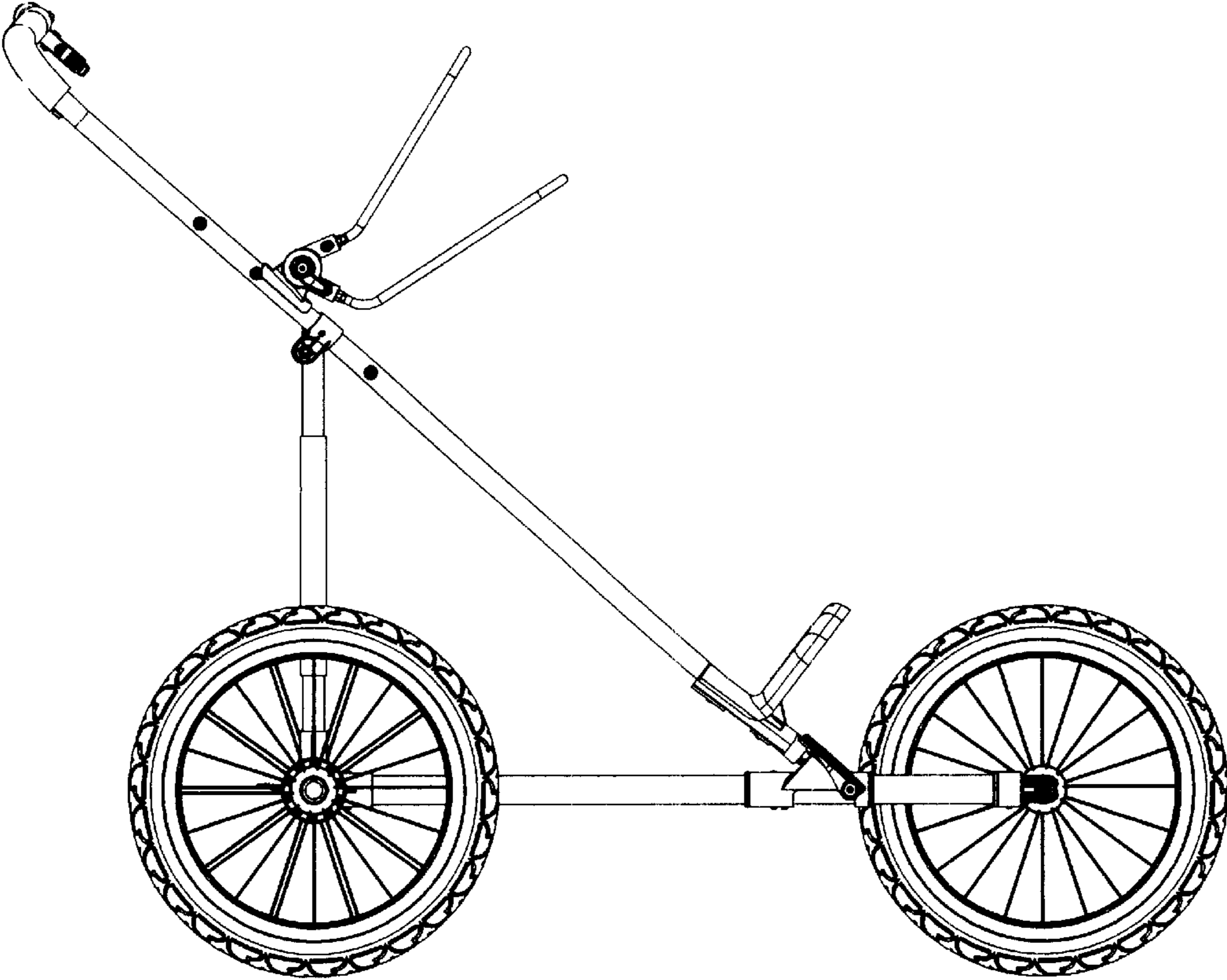


FIG. 4

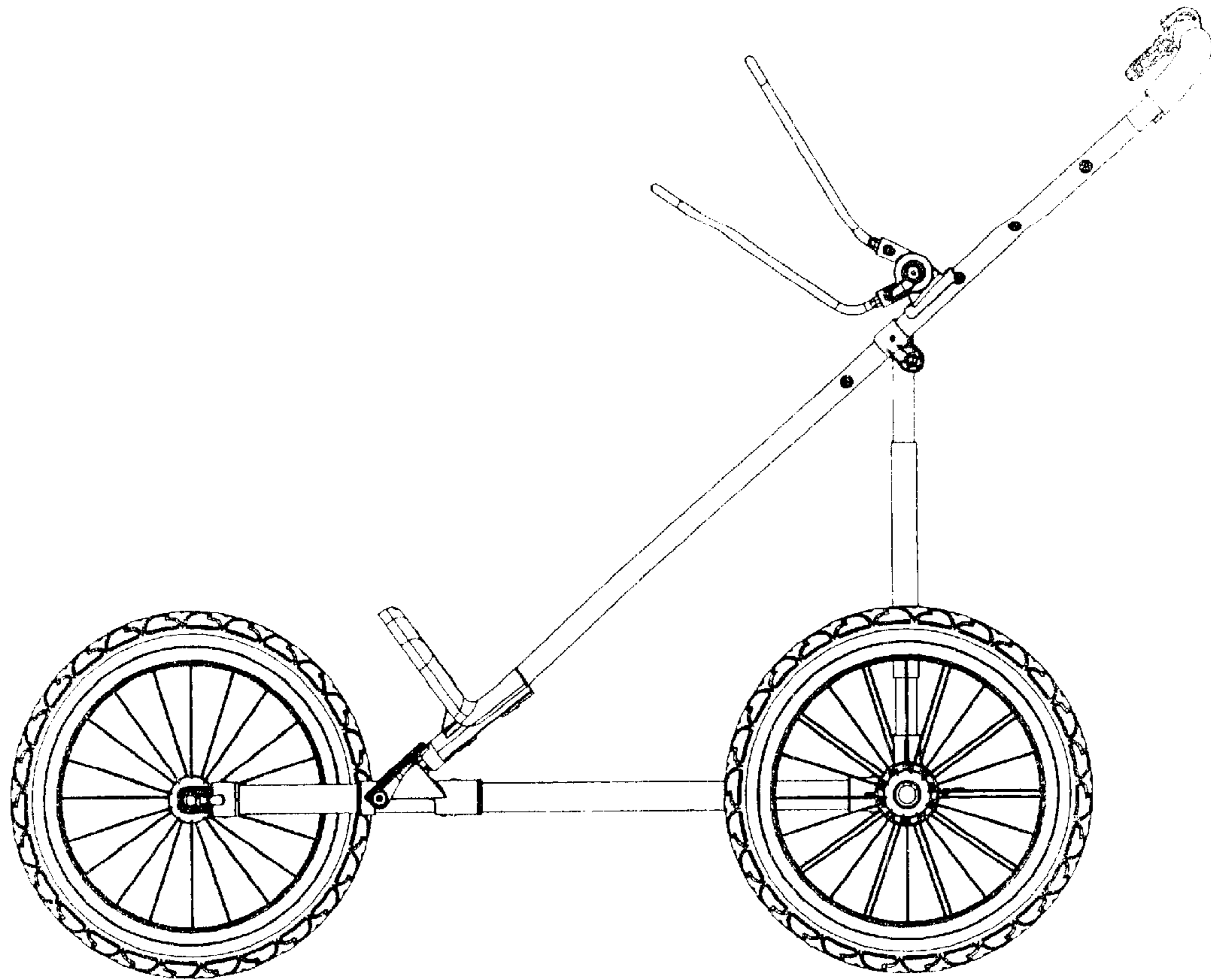


FIG. 5

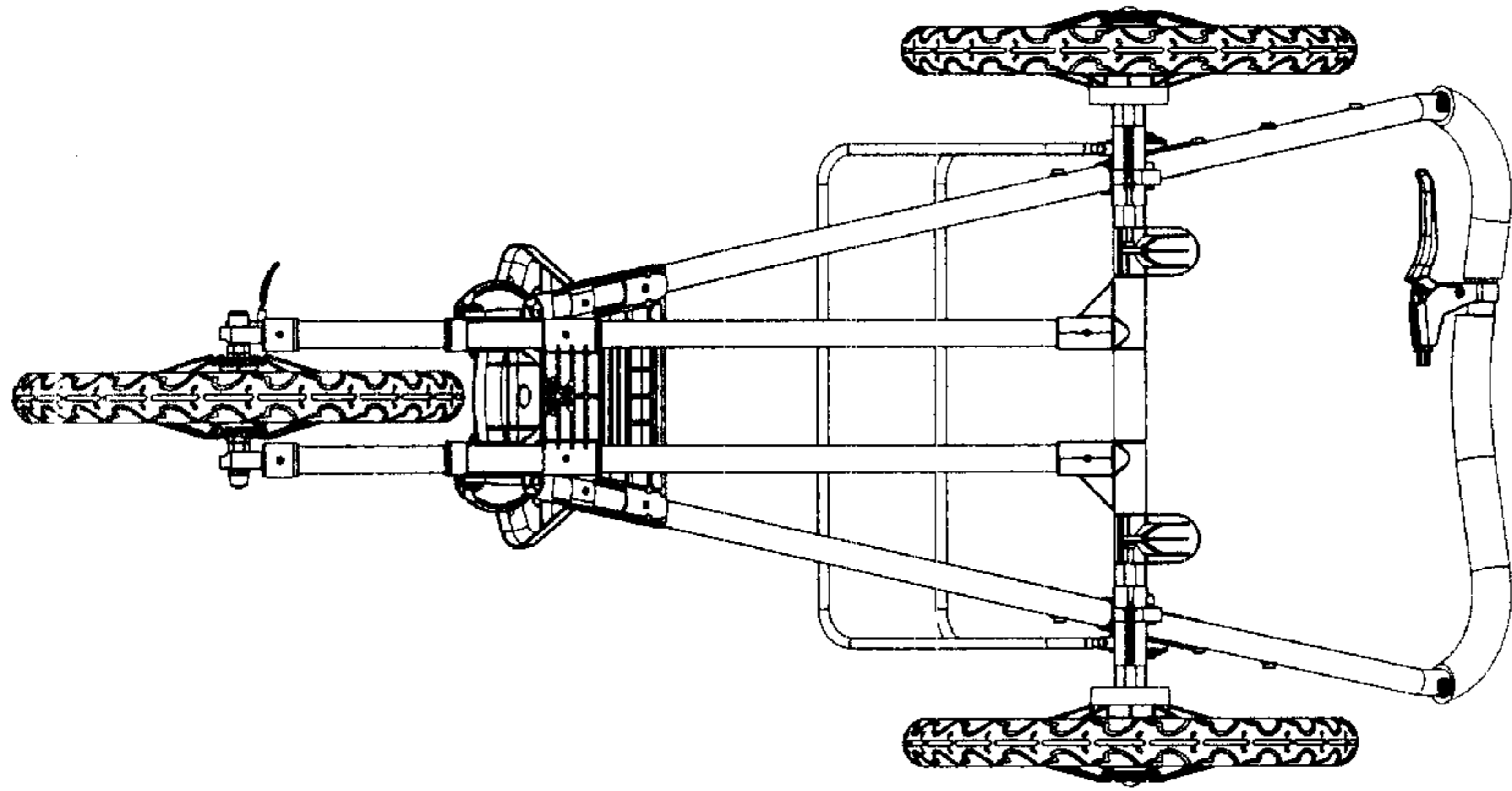


FIG. 7

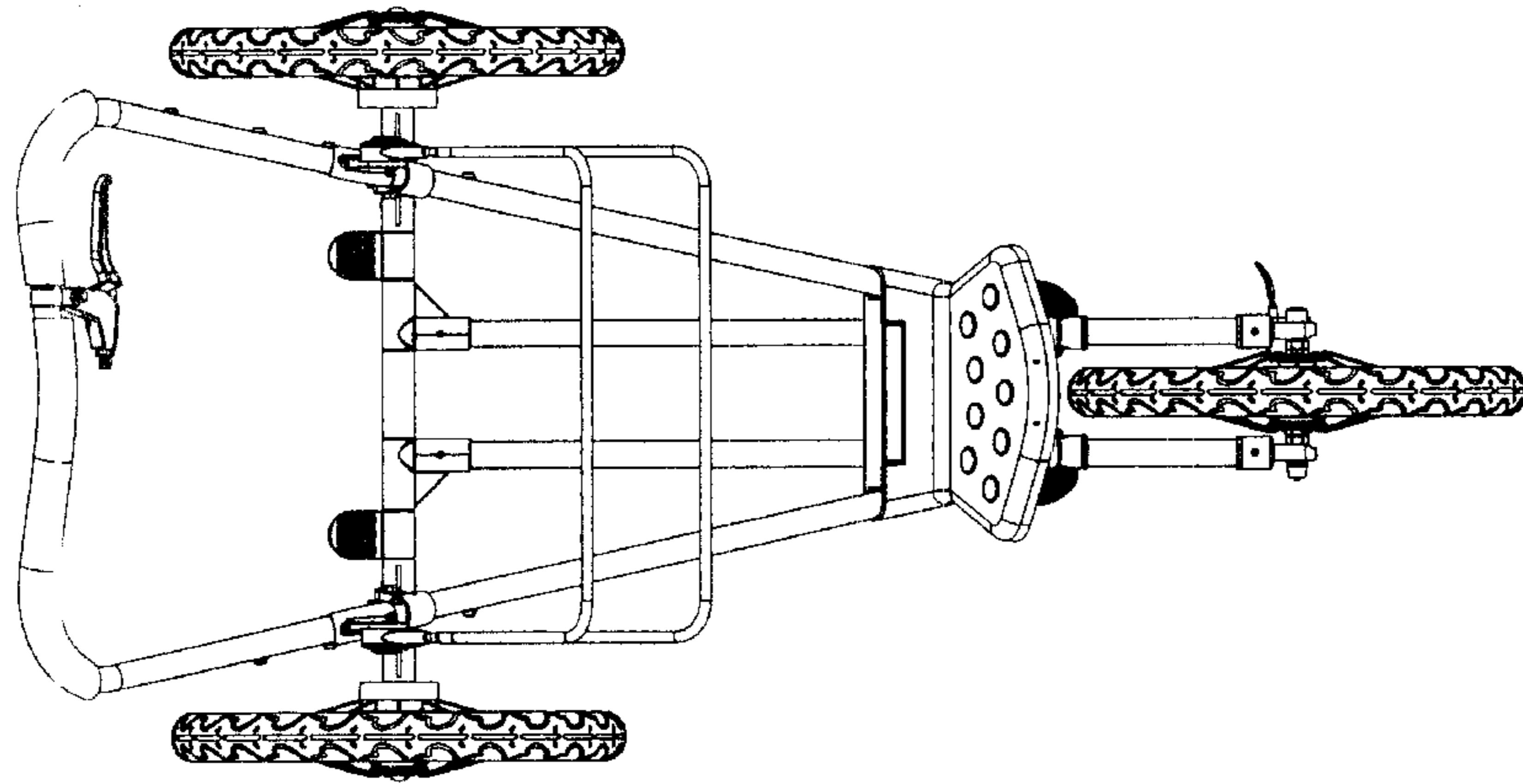


FIG. 6