

US00D506402S

(12) **United States Design Patent**
Kaczmarek

(10) **Patent No.:** **US D506,402 S**
(45) **Date of Patent:** **** Jun. 21, 2005**

- (54) **REMOTE INDICATOR**
- (75) **Inventor:** **Wolfgang Kaczmarek, Schwindegg (DE)**
- (73) **Assignee:** **BSH Bosch und Siemens Hausgerate GmbH, Munich (DE)**
- (**) **Term:** **14 Years**
- (21) **Appl. No.:** **29/183,249**
- (22) **Filed:** **Jun. 9, 2003**
- (51) **LOC (8) Cl.** **10-05**
- (52) **U.S. Cl.** **D10/104; D10/40; D20/20; D26/26**
- (58) **Field of Search** **D10/30-39, 40, D10/102-104; D20/20; D26/26; 368/10, 99-121, 280-282, 276-277, 285, 293-294; 340/679, 660, 533, 539.14, 585, 311.2**

- D392,572 S * 3/1998 Larsen et al. D10/40
- 6,157,313 A * 12/2000 Emmermann 340/5.42
- 6,314,384 B1 * 11/2001 Goetz 702/177
- 6,424,252 B1 * 7/2002 Adler 340/311.2
- 6,636,458 B1 * 10/2003 Uptegraph 368/88
- 6,784,801 B2 * 8/2004 Watanabe et al. 340/679

* cited by examiner

Primary Examiner—Nelson C. Holtje
(74) *Attorney, Agent, or Firm*—John T. Winburn; Russell W. Warnock; Craig J. Loest

(57) **CLAIM**

The ornamental design for a remote indicator, as shown and described.

DESCRIPTION

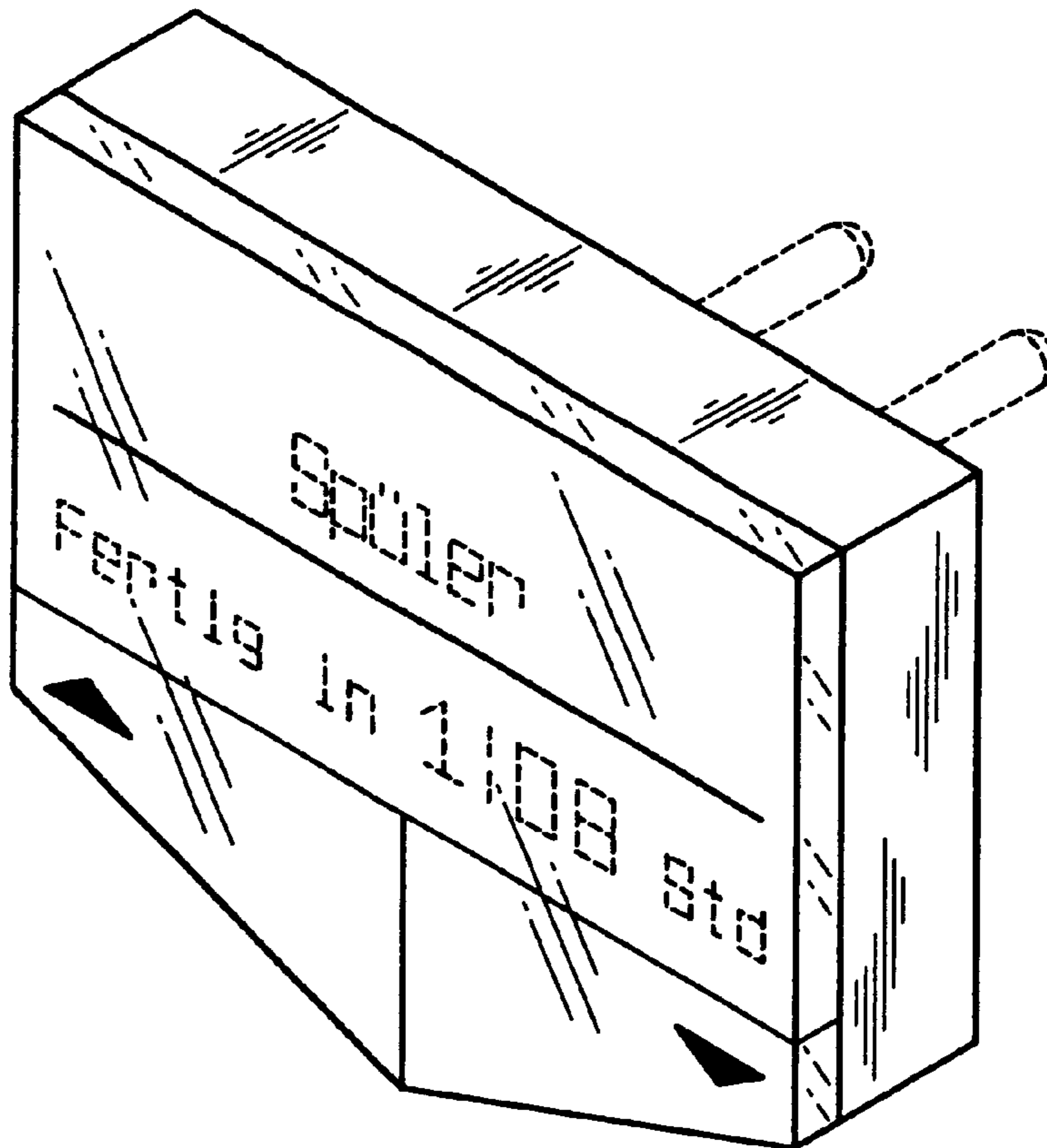
FIG. 1 is a front perspective view of the remote indicator according to my new design;
FIG. 2 is a rear perspective view thereof;
FIG. 3 is a rear side view thereof;
FIG. 4 is a top side view thereof;
FIG. 5 is a bottom side view thereof; and,
FIG. 6 is a left side view thereof, the right side view being a mirror image.
The broken line showings of indicia and plug ends are for illustrative purposes only and form no part of the claimed design.

(56) **References Cited**

U.S. PATENT DOCUMENTS

- D143,319 S * 12/1945 Holley D10/129
- D193,409 S * 8/1962 Bender D10/80
- D215,658 S * 10/1969 Dolan D10/75
- D294,180 S * 2/1988 Johnson et al. D26/93
- 5,089,809 A * 2/1992 Carmichael, Jr. 340/679
- 5,357,487 A * 10/1994 Coleman, III 368/10
- 5,680,445 A * 10/1997 Bogner et al. 379/106.01

1 Claim, 3 Drawing Sheets



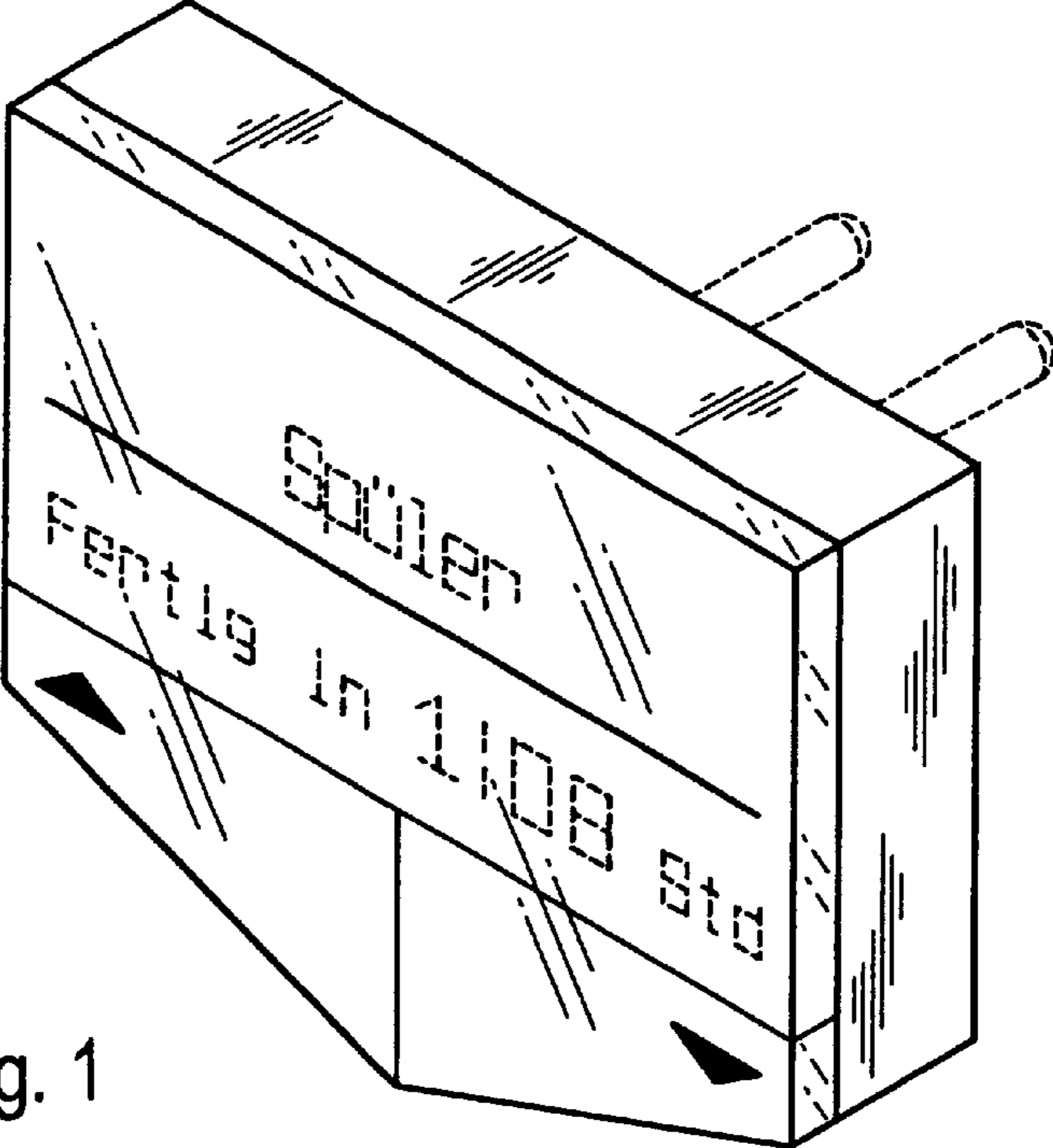


Fig. 1

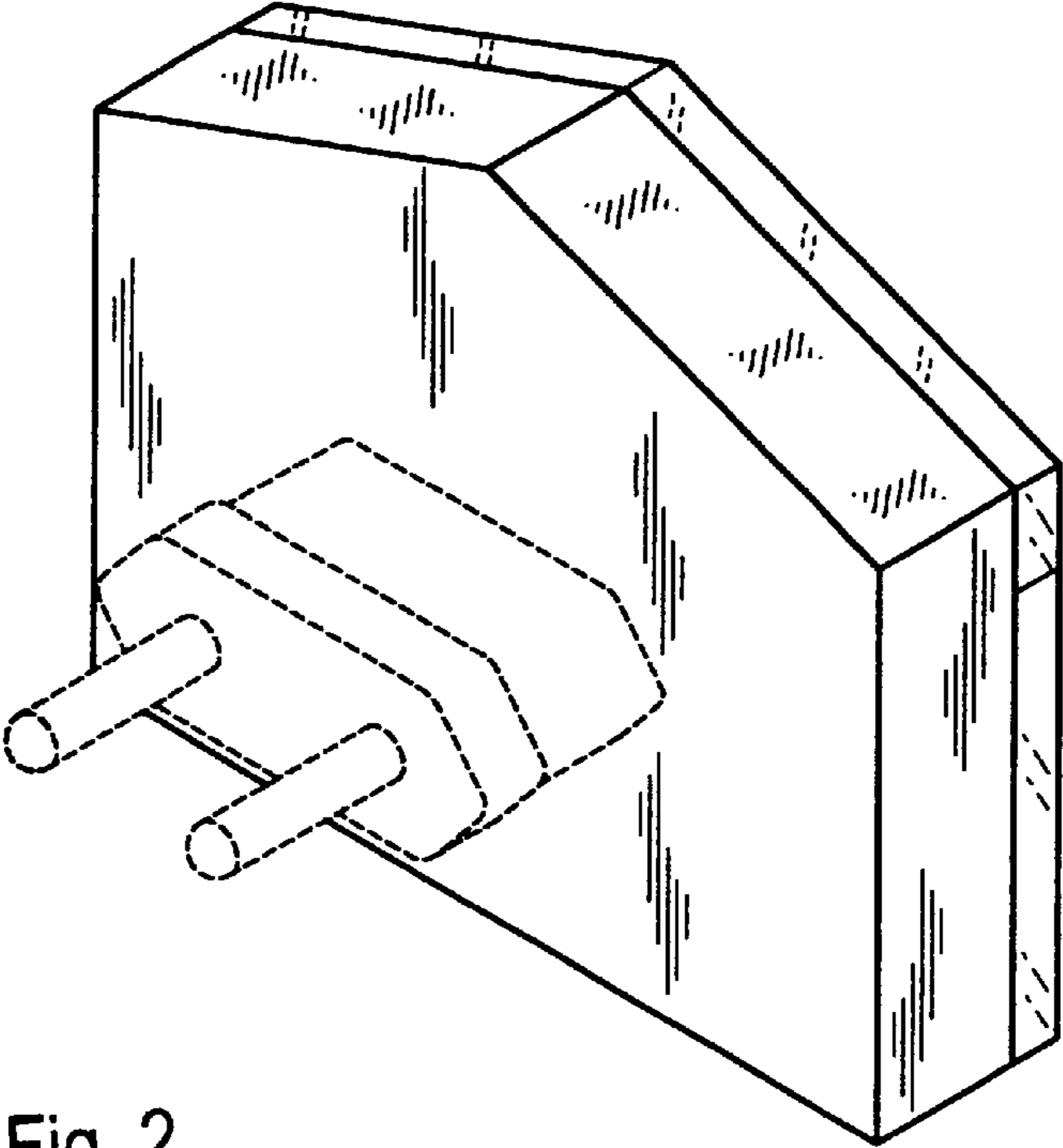


Fig. 2

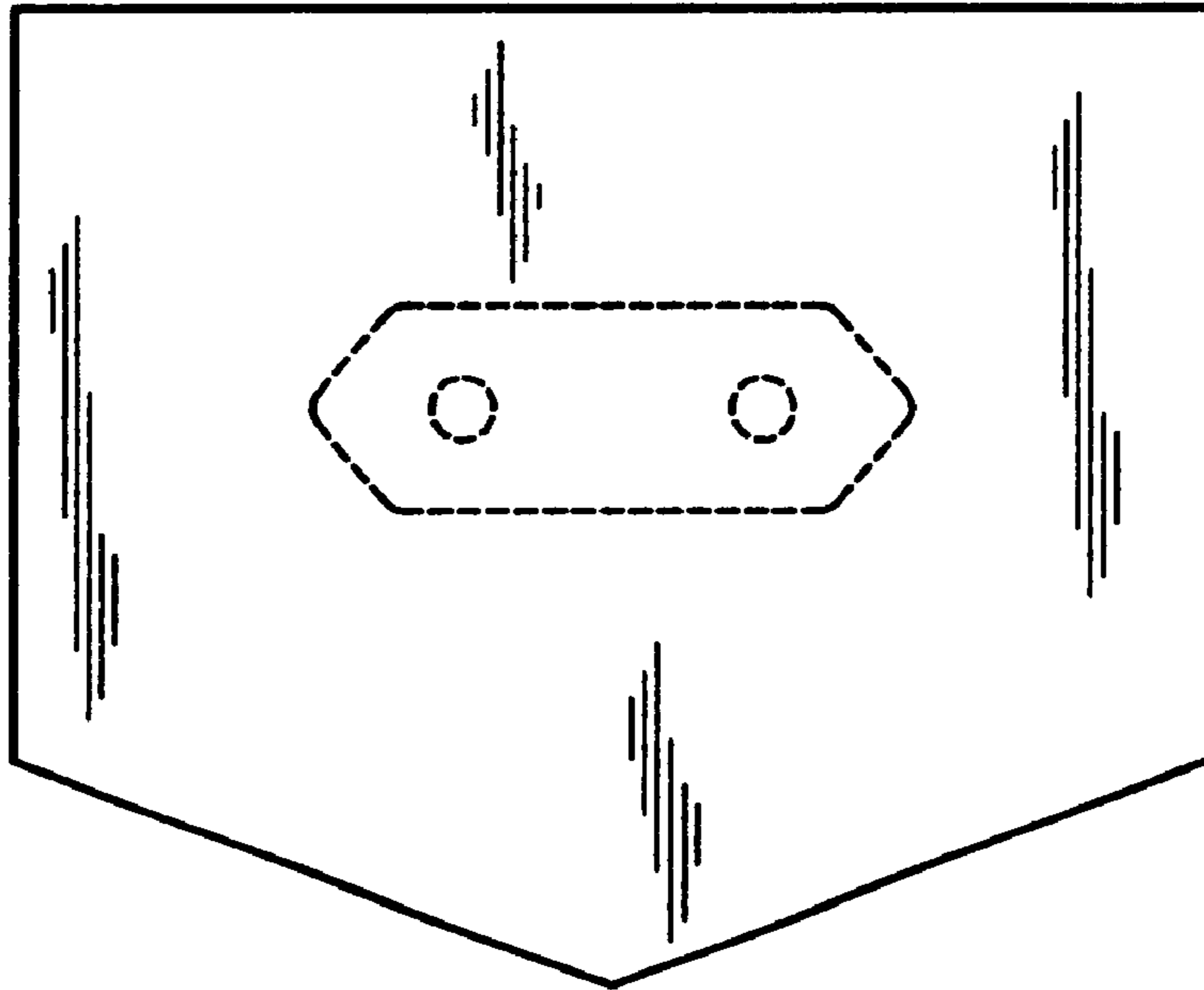


Fig. 3

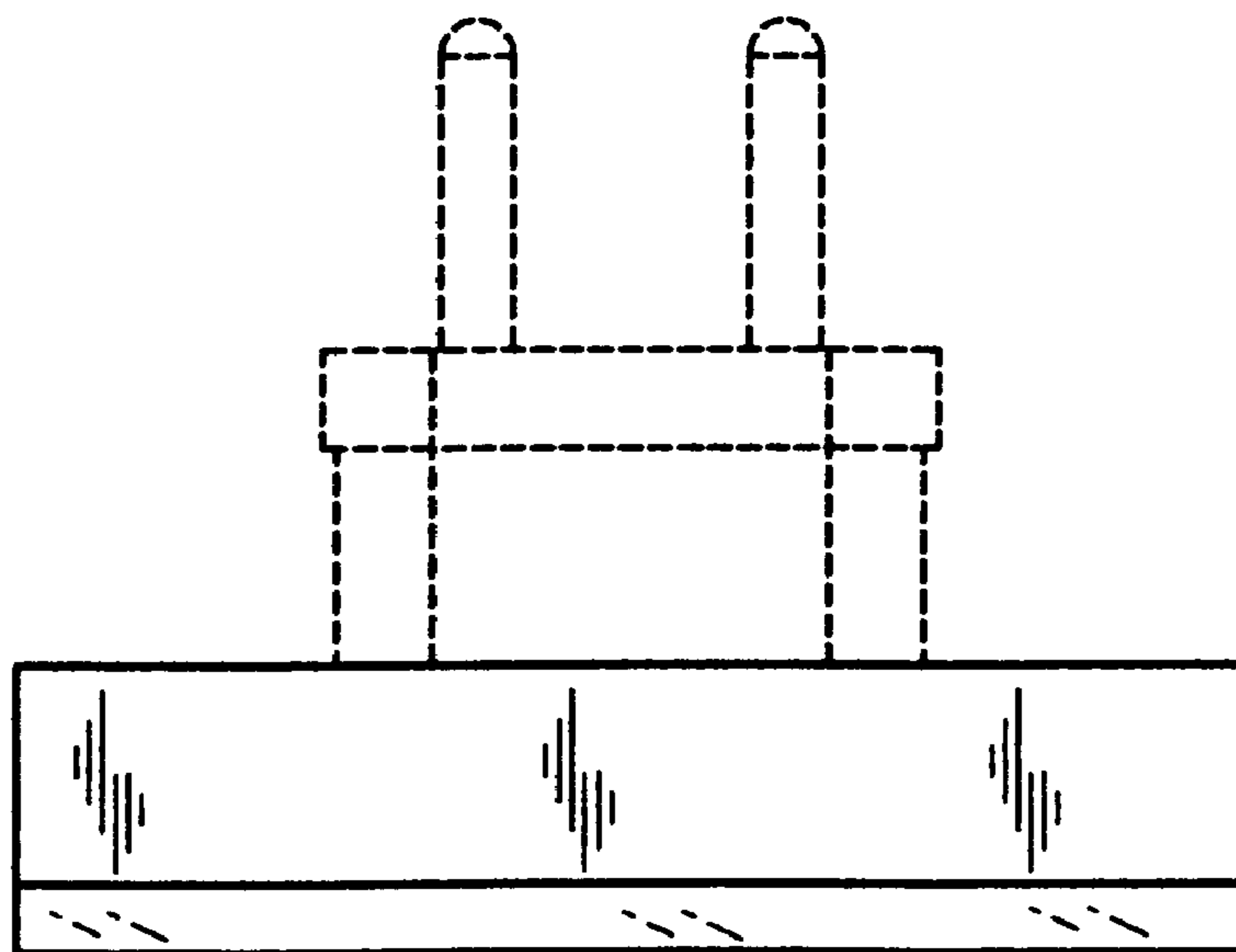


Fig. 4

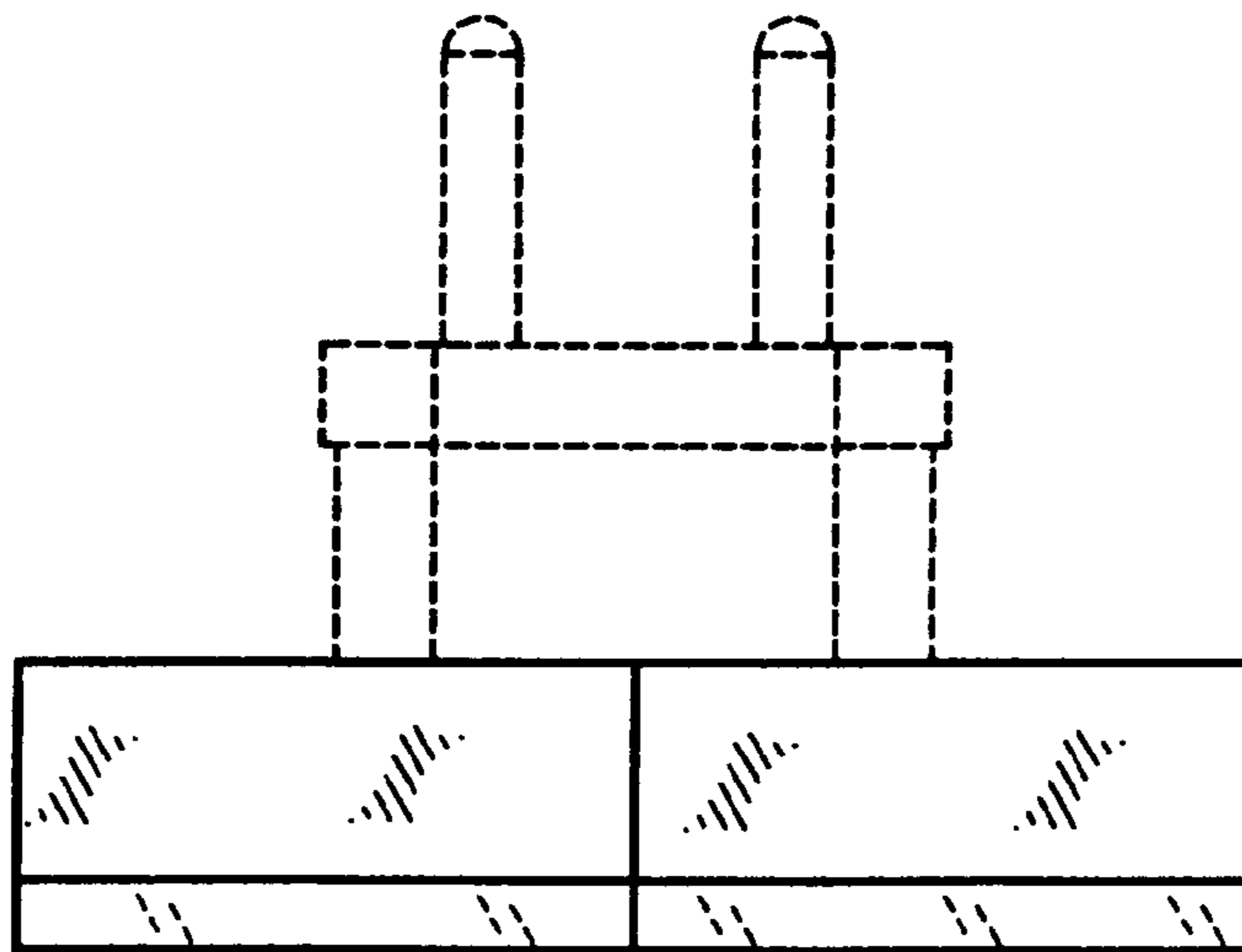


Fig. 5

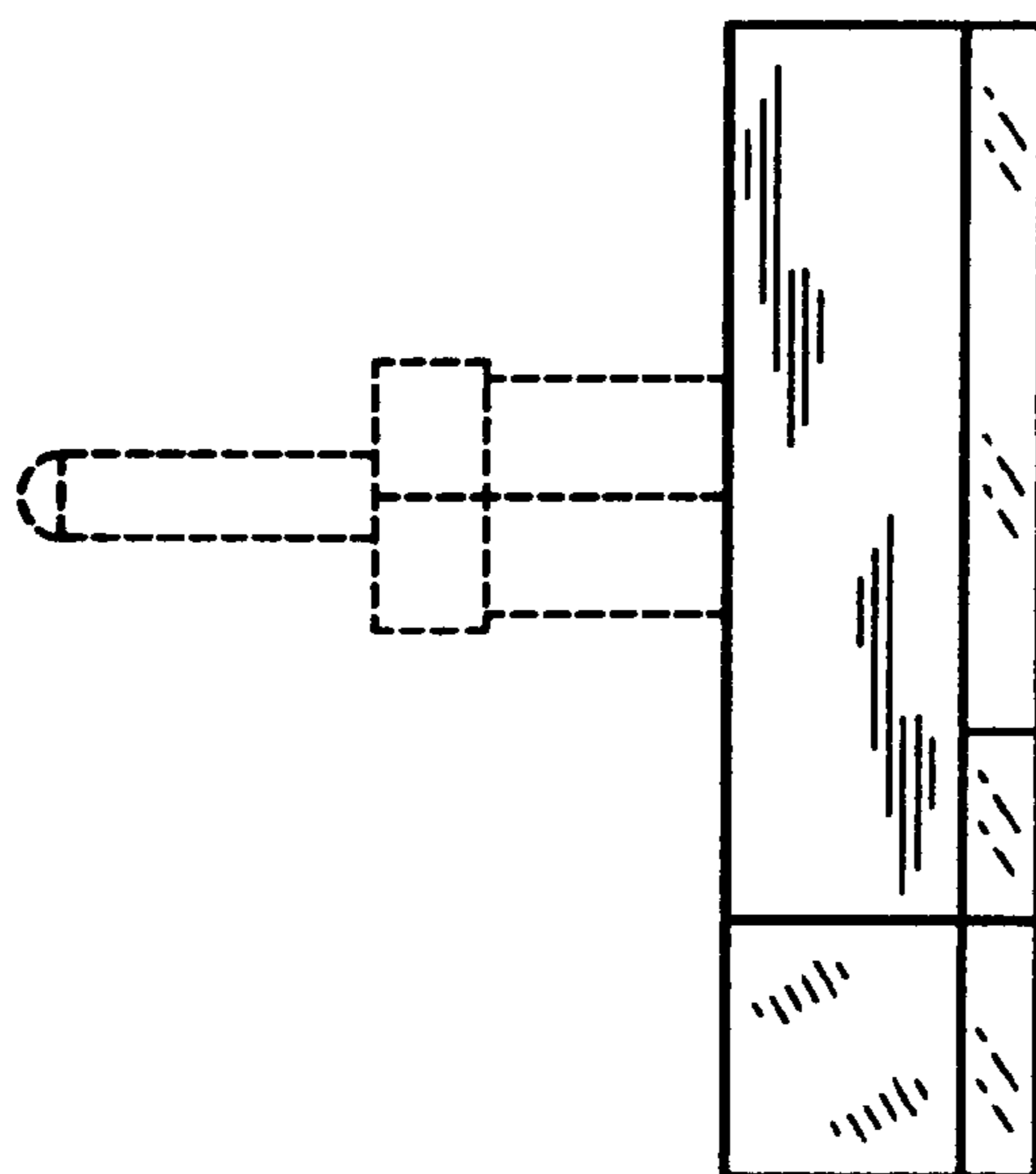


Fig. 6