



US00D506398S

(12) **United States Design Patent**
Bunkowfst

(10) **Patent No.:** **US D506,398 S**
(45) **Date of Patent:** **** Jun. 21, 2005**

- (54) **FISH MEASURING DEVICE**
- (76) Inventor: **Harry L. Bunkowfst**, 8335 S. 300 East, Knox, IN (US) 46534
- (**) Term: **14 Years**
- (21) Appl. No.: **29/199,033**
- (22) Filed: **Feb. 9, 2004**
- (51) **LOC (8) Cl.** **10-04**
- (52) **U.S. Cl.** **D10/70**
- (58) **Field of Search** D10/70; 33/485, 33/511, 549; 43/4, 54.1; 206/0.8, 0.81, 315.11

- (56) **References Cited**
- U.S. PATENT DOCUMENTS**
- 3,259,988 A * 7/1966 Lunn 33/549
- 5,148,607 A * 9/1992 Lasiter 33/549
- D348,405 S * 7/1994 Storey et al. D10/70
- 5,339,532 A * 8/1994 O'Keefe 33/511
- D369,115 S * 4/1996 Mitchell D10/70

* cited by examiner

Primary Examiner—Antoine D. Davis
(74) *Attorney, Agent, or Firm*—R. Tracy Crump

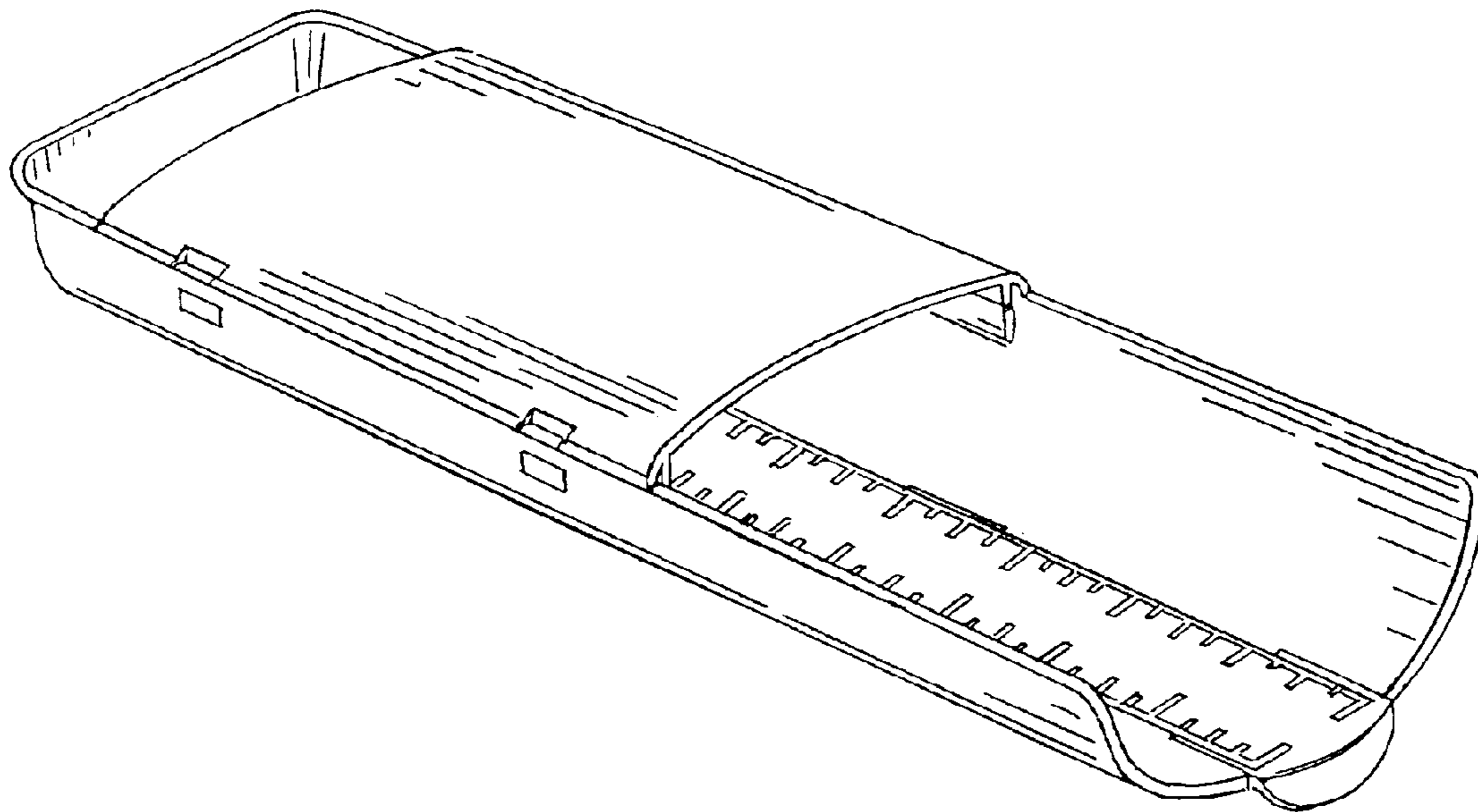
(57) **CLAIM**

The ornamental design for a fish measuring device, as shown.

DESCRIPTION

FIG. 1 is a perspective view of the fish measuring device of this invention;
 FIG. 2 is a left side view of the fish measuring device of this invention;
 FIG. 3 is a right side view of the fish measuring device of this invention;
 FIG. 4 is a bottom view of the fish measuring device of this invention;
 FIG. 5 is a top view of the fish measuring device of this invention;
 FIG. 6 is a front view of the fish measuring device of this invention; and,
 FIG. 7 is a back view of the fish measuring device of this invention.

1 Claim, 4 Drawing Sheets



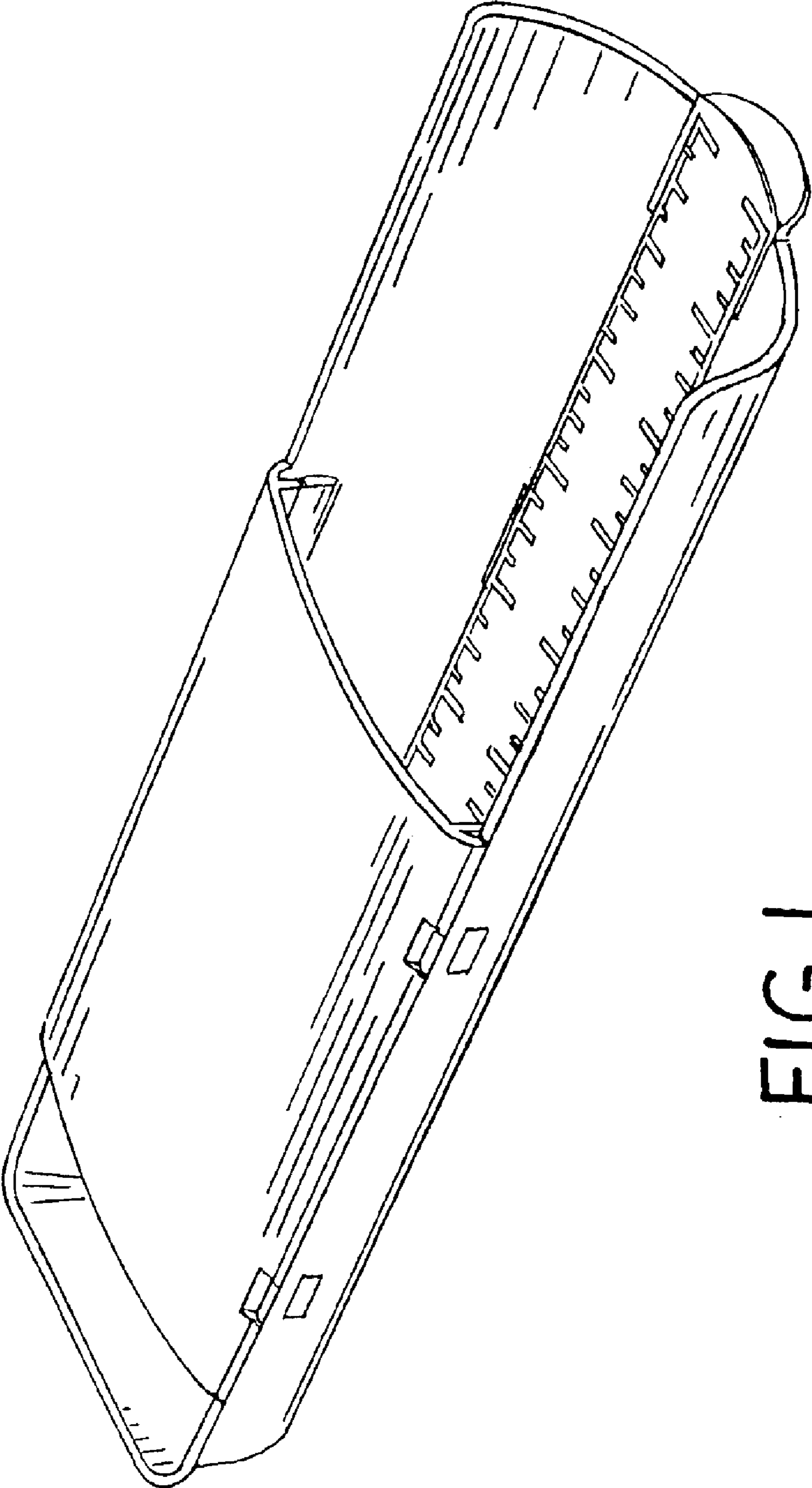


FIG. 1

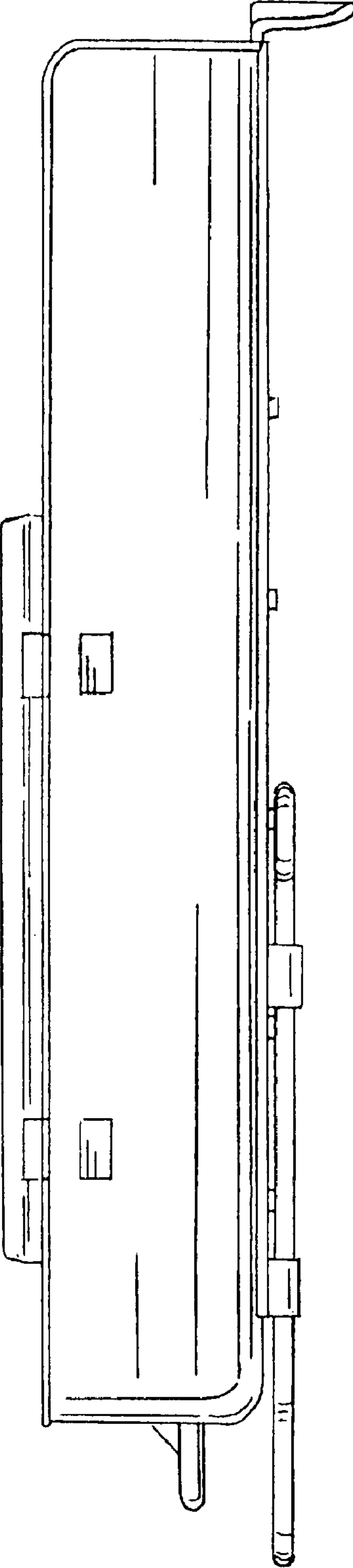


FIG. 2

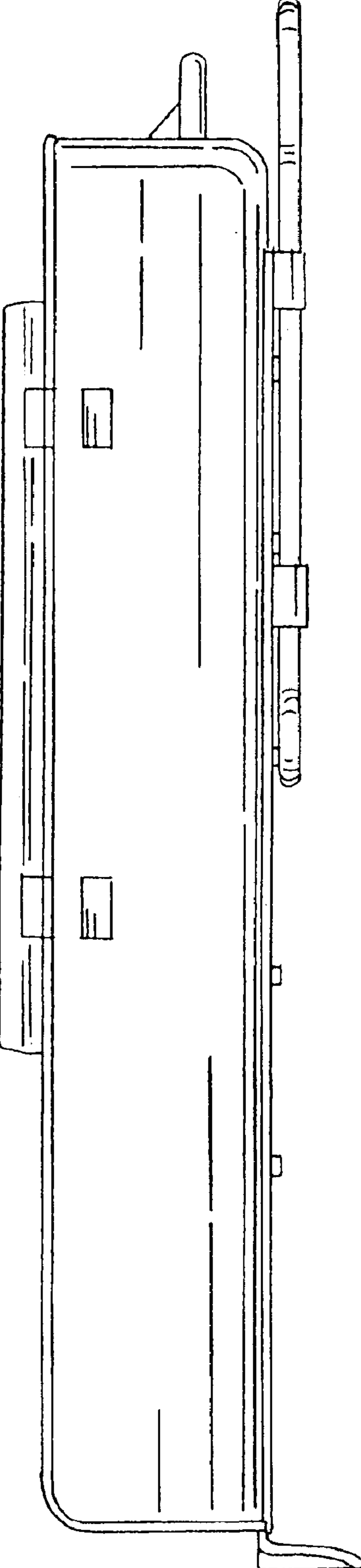


FIG. 3

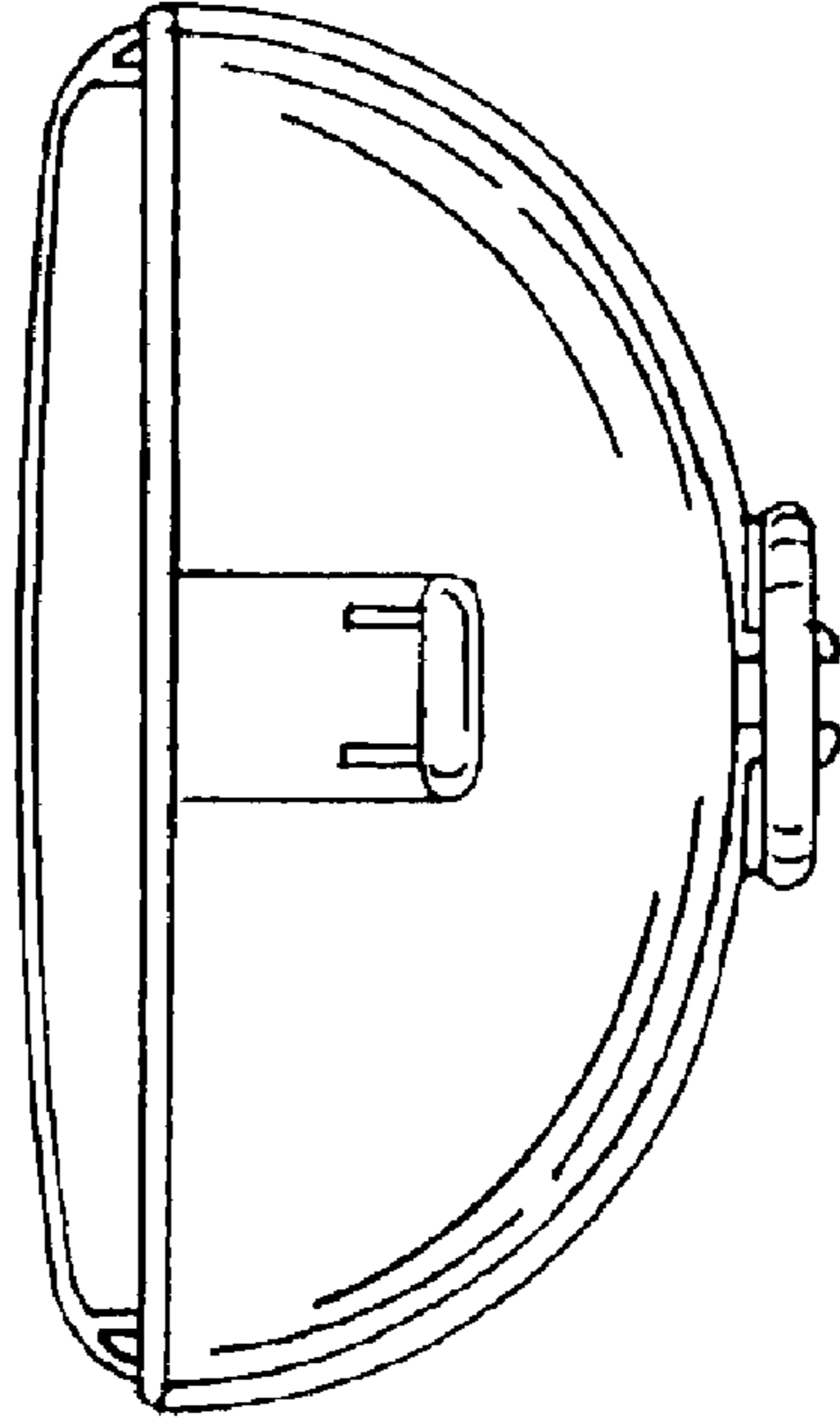


FIG. 5

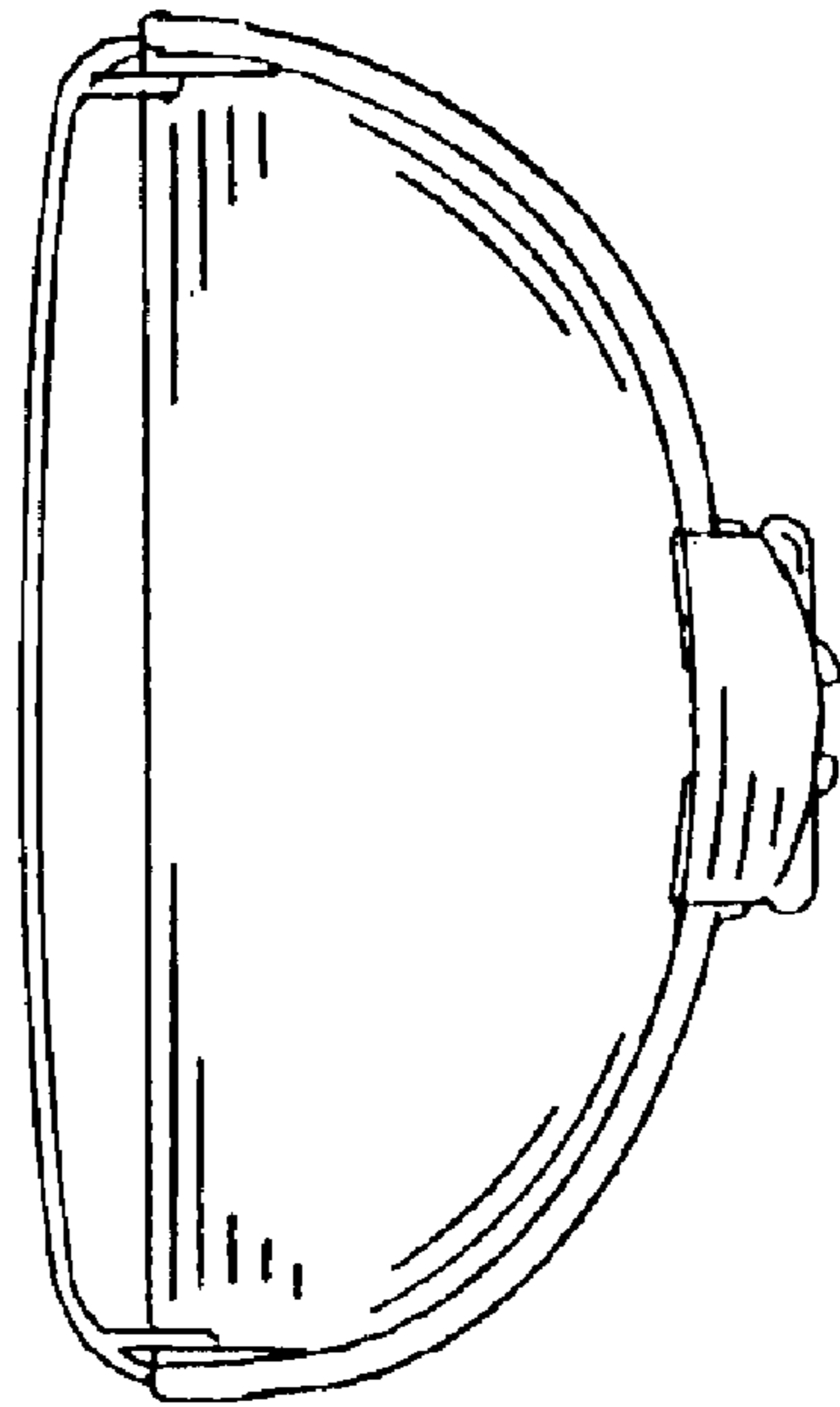


FIG. 4

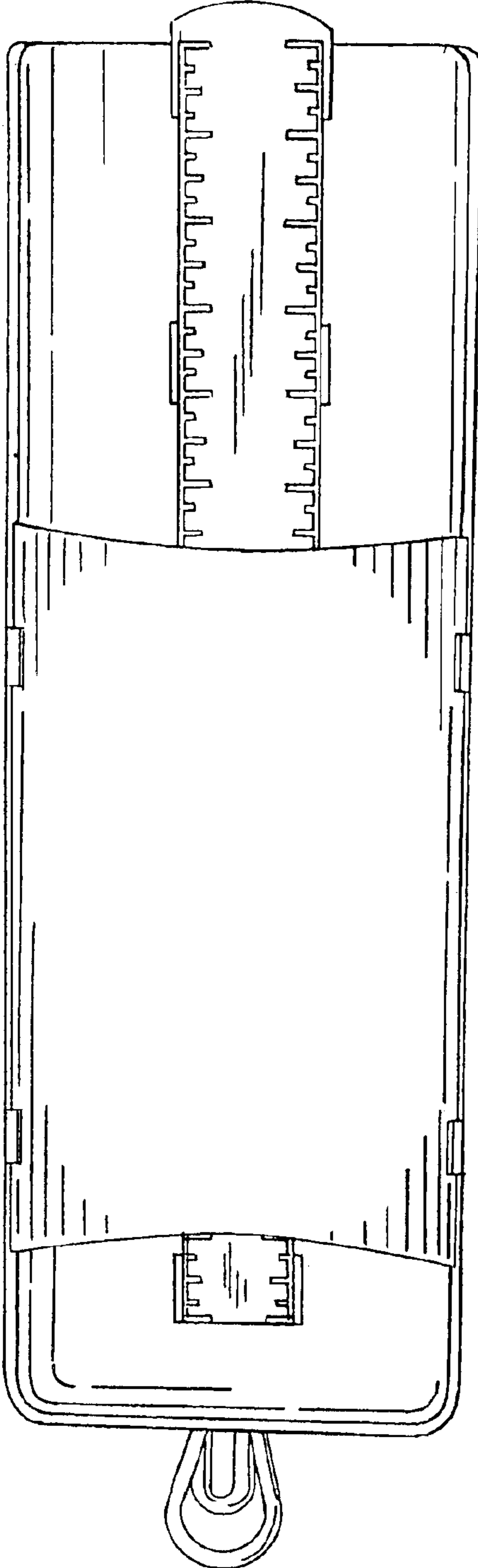


FIG. 6

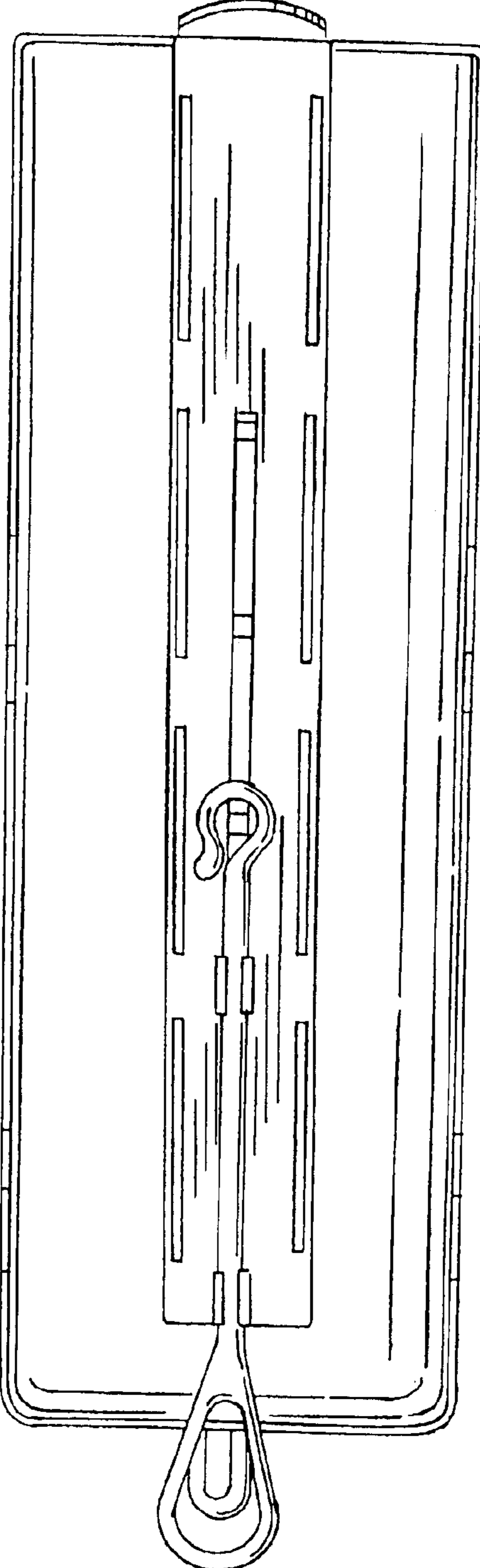


FIG. 7