

US00D506395S

(12) **United States Design Patent**
Coles et al.

(10) **Patent No.: US D506,395 S**
(45) **Date of Patent: ** Jun. 21, 2005**

(54) **CARD DISPENSER**

(75) Inventors: **Raymond Coles, Weymouth (GB);
Frank Marsh, Gwent (GB)**

(73) Assignee: **Ultra Electronics United, Middlesex
(GB)**

(**) Term: **14 Years**

(21) Appl. No.: **29/201,406**

(22) Filed: **Mar. 15, 2004**

(30) **Foreign Application Priority Data**

Sep. 15, 2003 (EM) 000075718

(51) **LOC (8) Cl. 09-03**

(52) **U.S. Cl. D9/730**

(58) **Field of Search** D9/730, 654, 523,
D9/432, 425, 417, 414; D7/601-2, 629;
D6/512, 515; D21/300, 369, 371, 376,
385, 392-396; D32/53; 206/214, 507; 224/277;
273/148 A, 149 R; 220/565; 463/12, 22

(56) **References Cited**

U.S. PATENT DOCUMENTS

D17,700 S * 9/1887 Powell D9/654
2,599,727 A * 6/1952 Schmidt 206/507
3,998,350 A * 12/1976 Massac 220/565
4,377,285 A * 3/1983 Kadlic 273/148 A

D270,418 S * 9/1983 Conti D7/602
D282,808 S * 3/1986 Daenen et al. D7/602
D336,018 S * 6/1993 Smith et al. D7/629
D377,739 S * 2/1997 Carlson D7/602
5,669,816 A * 9/1997 Garczynski et al. 463/12
D432,589 S * 10/2000 Hill D21/396
D449,525 S * 10/2001 Sturgess D9/432
D458,841 S * 6/2002 Goguen et al. D9/432
D490,481 S * 5/2004 Hessing D21/396

* cited by examiner

Primary Examiner—Stella Reid

Assistant Examiner—Shanda C. Hill

(74) *Attorney, Agent, or Firm*—Marshall, Gerstein & Borun
LLP

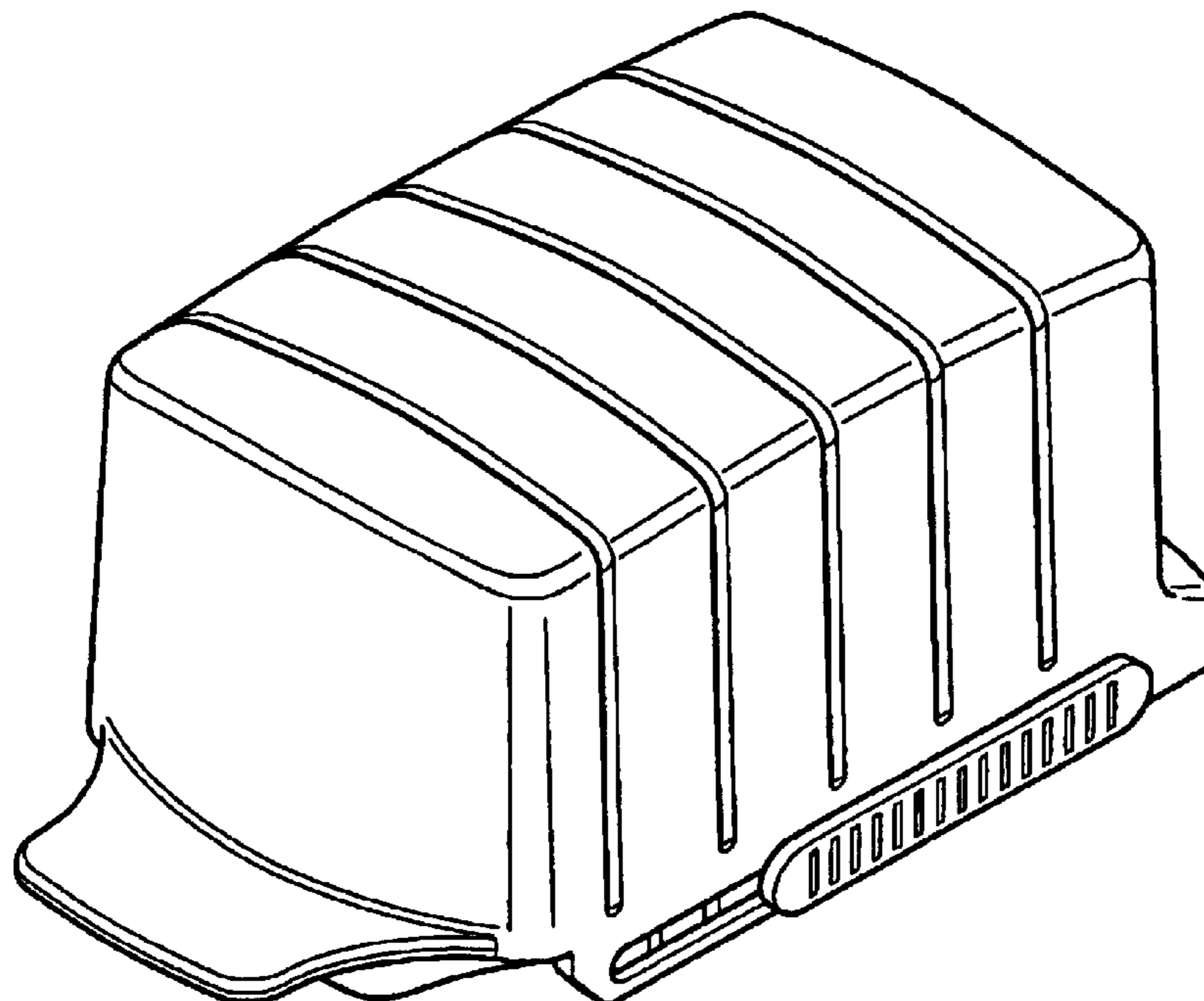
(57) **CLAIM**

The ornamental design for a “card dispenser,” as shown and described.

DESCRIPTION

FIG. 1 is a perspective view of a card dispenser showing our new design;
FIG. 2 is a right side view thereof;
FIG. 3 is a left side view thereof;
FIG. 4 is a front elevational view thereof;
FIG. 5 is a bottom plan view thereof;
FIG. 6 is a rear elevational view thereof; and,
FIG. 7 is a top plan view thereof.

1 Claim, 4 Drawing Sheets



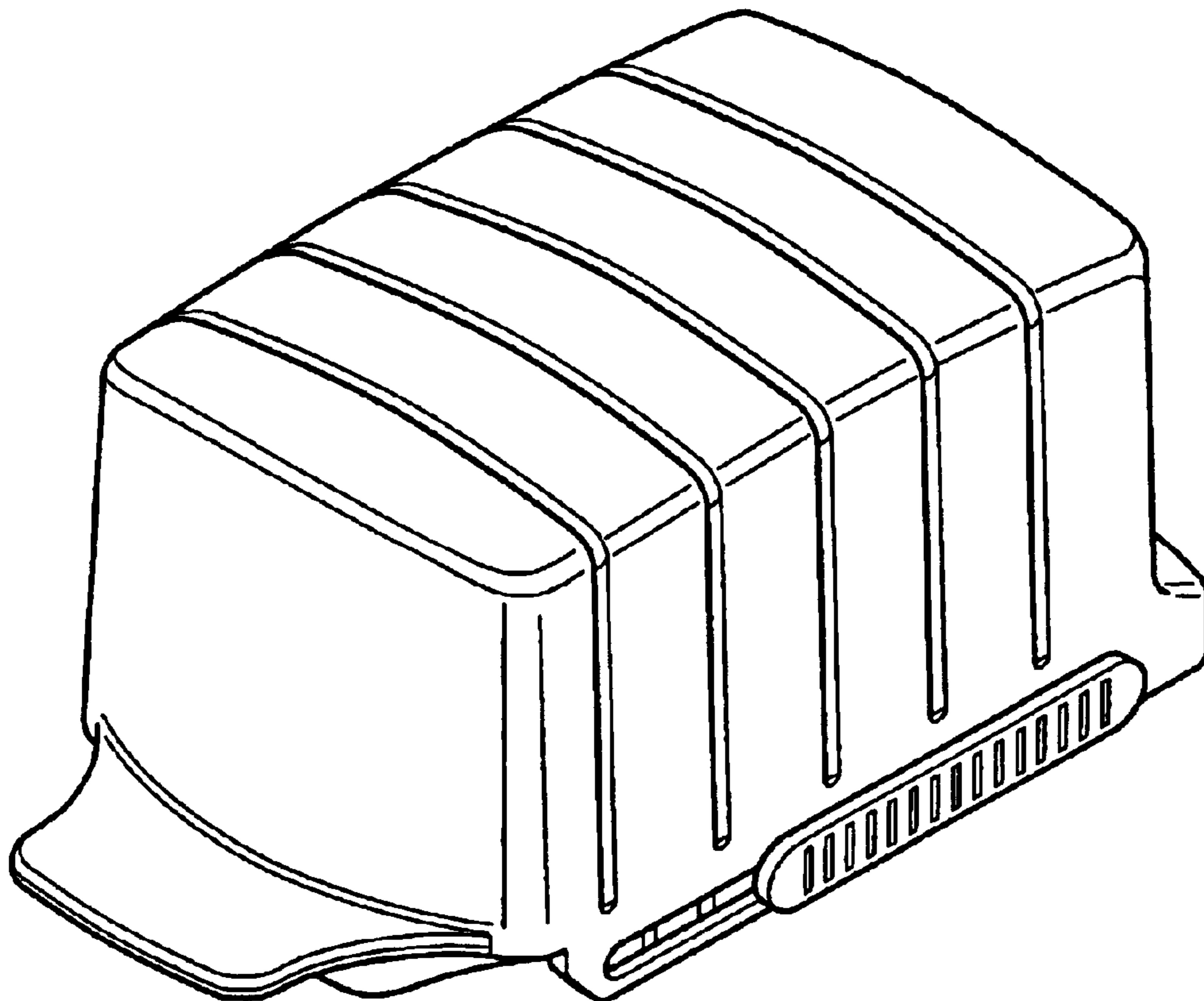


FIG. 1

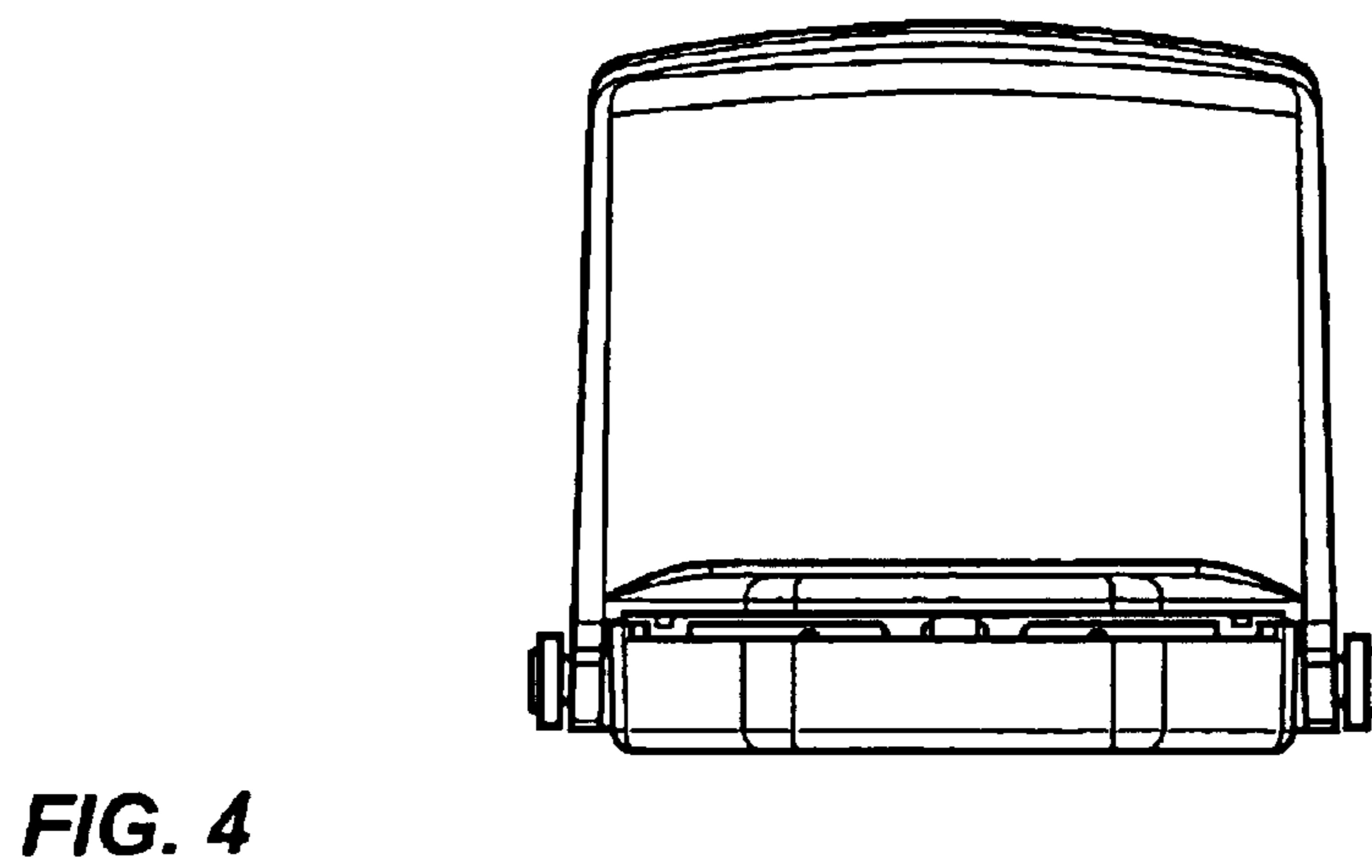
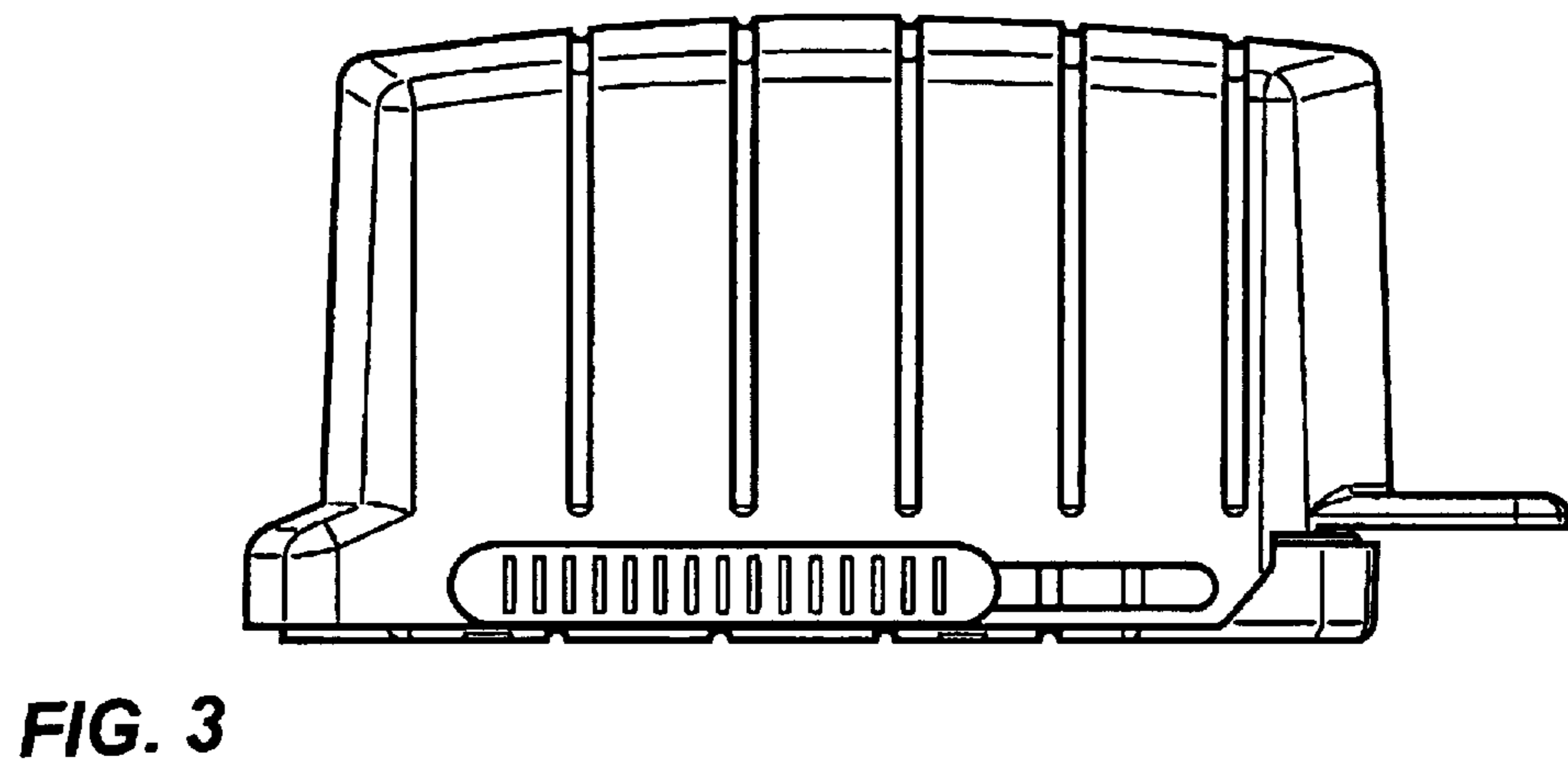
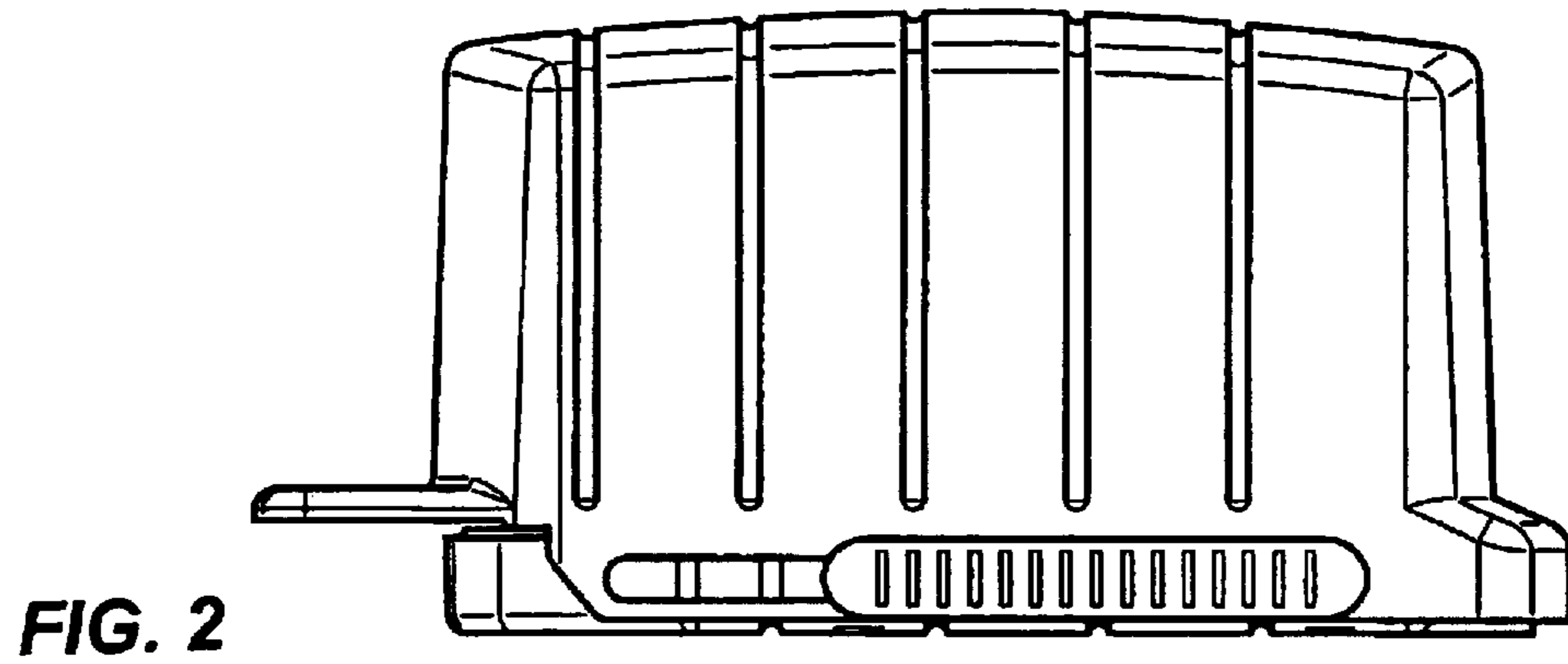


FIG. 5

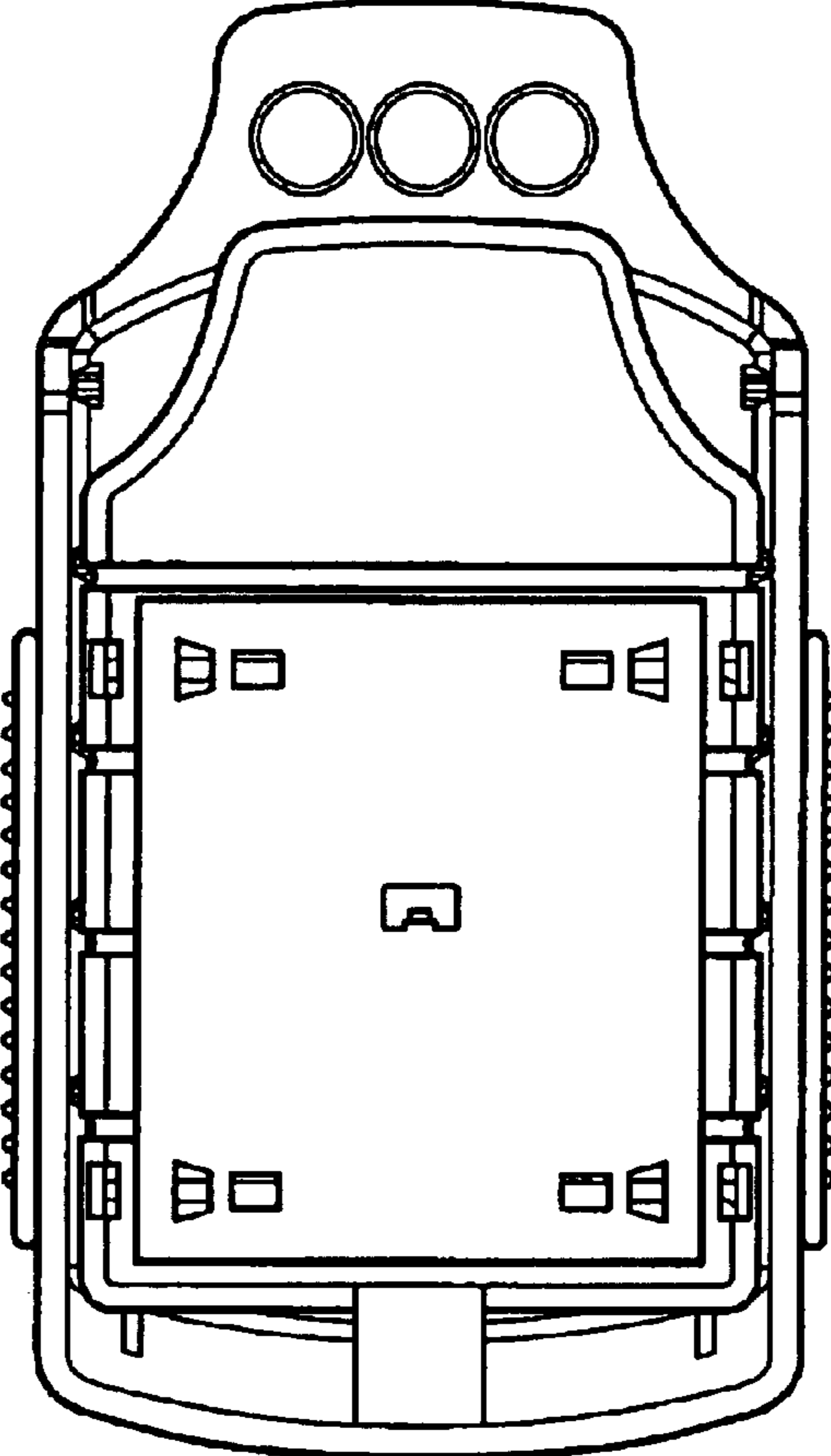


FIG. 6

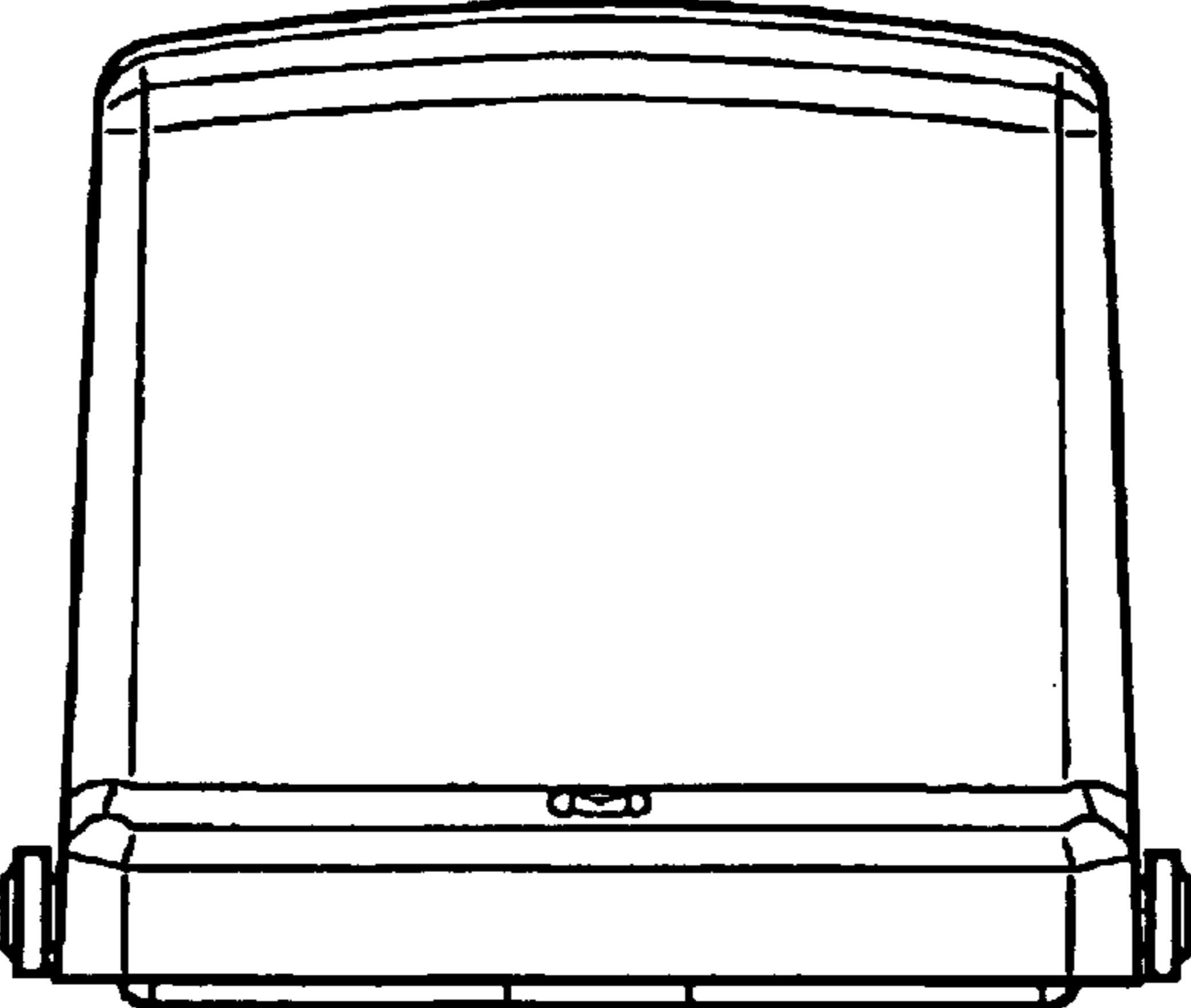


FIG. 7

