

US00D506384S

(12) **United States Design Patent**  
**Lawrence et al.**

(10) **Patent No.:** **US D506,384 S**  
(45) **Date of Patent:** **\*\* Jun. 21, 2005**

- (54) **SHELF CLIP**
- (75) Inventors: **Barry Gene Lawrence**, Thomasville, NC (US); **Jimmy Ray Saintsing**, Thomasville, NC (US); **Charles E. Branson**, Thomasville, NC (US)
- (73) Assignee: **Hughes Supply Company of Thomasville, Inc.**, Thomasville, NC (US)
- (\*\*) Term: **14 Years**
- (21) Appl. No.: **29/166,125**
- (22) Filed: **Aug. 22, 2002**
- (51) **LOC (8) Cl.** ..... **08-05**
- (52) **U.S. Cl.** ..... **D8/381**
- (58) **Field of Search** ..... D8/380-381; 248/235, 248/237, 245, 247, 249-250

4,053,132 A	10/1977	Del Pozzo	.....	248/235
4,236,773 A	12/1980	Mertes		
D263,010 S	2/1982	Marsh		
4,432,523 A	2/1984	Follows	.....	248/250
4,666,117 A	5/1987	Taft	.....	248/243
4,691,887 A	9/1987	Bessinger	.....	248/250
4,732,358 A	3/1988	Hughes et al.	.....	248/243
4,830,323 A	* 5/1989	Harley	.....	248/250
D377,449 S	* 1/1997	Roberts et al.	.....	D8/381
D482,954 S	* 12/2003	Hoernig	.....	D8/381

\* cited by examiner

*Primary Examiner*—Holly Baynham

(74) *Attorney, Agent, or Firm*—MacCord Mason PLLC

(57) **CLAIM**

The ornamental design for a shelf clip, as shown and described.

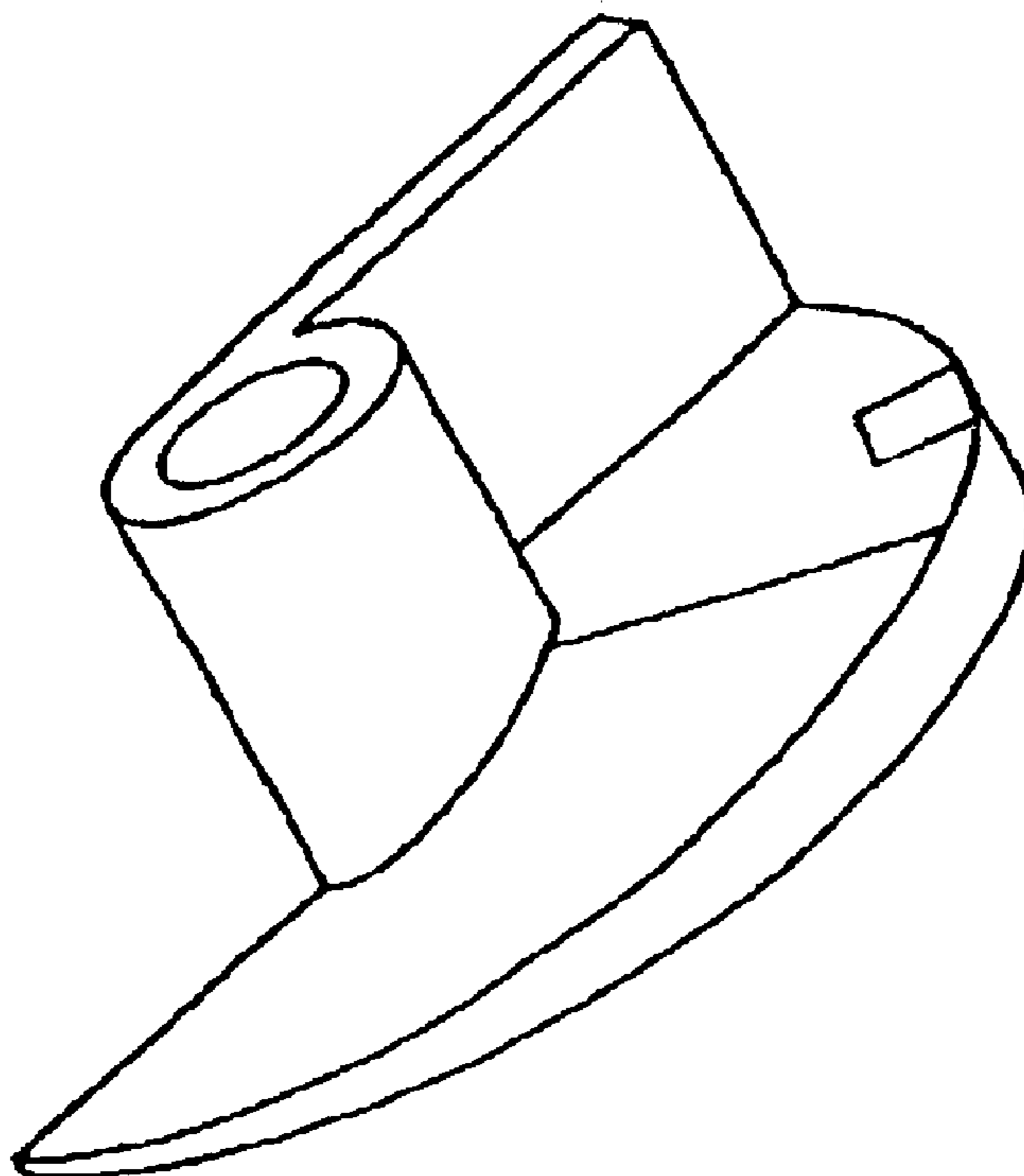
**DESCRIPTION**

FIG. 1 is a top perspective view of a shelf clip showing my new design.  
 FIG. 2 is an end elevational view of the shelf clip of FIG. 1;  
 FIG. 3 is the opposite end elevational view of FIG. 2;  
 FIG. 4 is a top plan view of the shelf clip of FIG. 1;  
 FIG. 5 is a bottom plan view of the shelf clip of FIG. 1;  
 FIG. 6 is a side elevational view of the shelf clip of FIG. 1;  
 and,  
 FIG. 7 is the opposite side elevational view of FIG. 6.

**1 Claim, 2 Drawing Sheets**

(56) **References Cited**  
 U.S. PATENT DOCUMENTS

598,742 A	2/1898	Ostertag		
1,354,270 A	9/1920	Wood		
1,398,071 A	11/1921	Forester		
2,477,771 A	8/1949	Sanford	.....	248/247
2,790,616 A	4/1957	Cardinal, Jr.	.....	248/217
3,471,111 A	10/1969	MacDonald	.....	248/235
3,870,266 A	3/1975	MacDonald	.....	248/235
4,037,813 A	7/1977	Loui et al.	.....	248/250



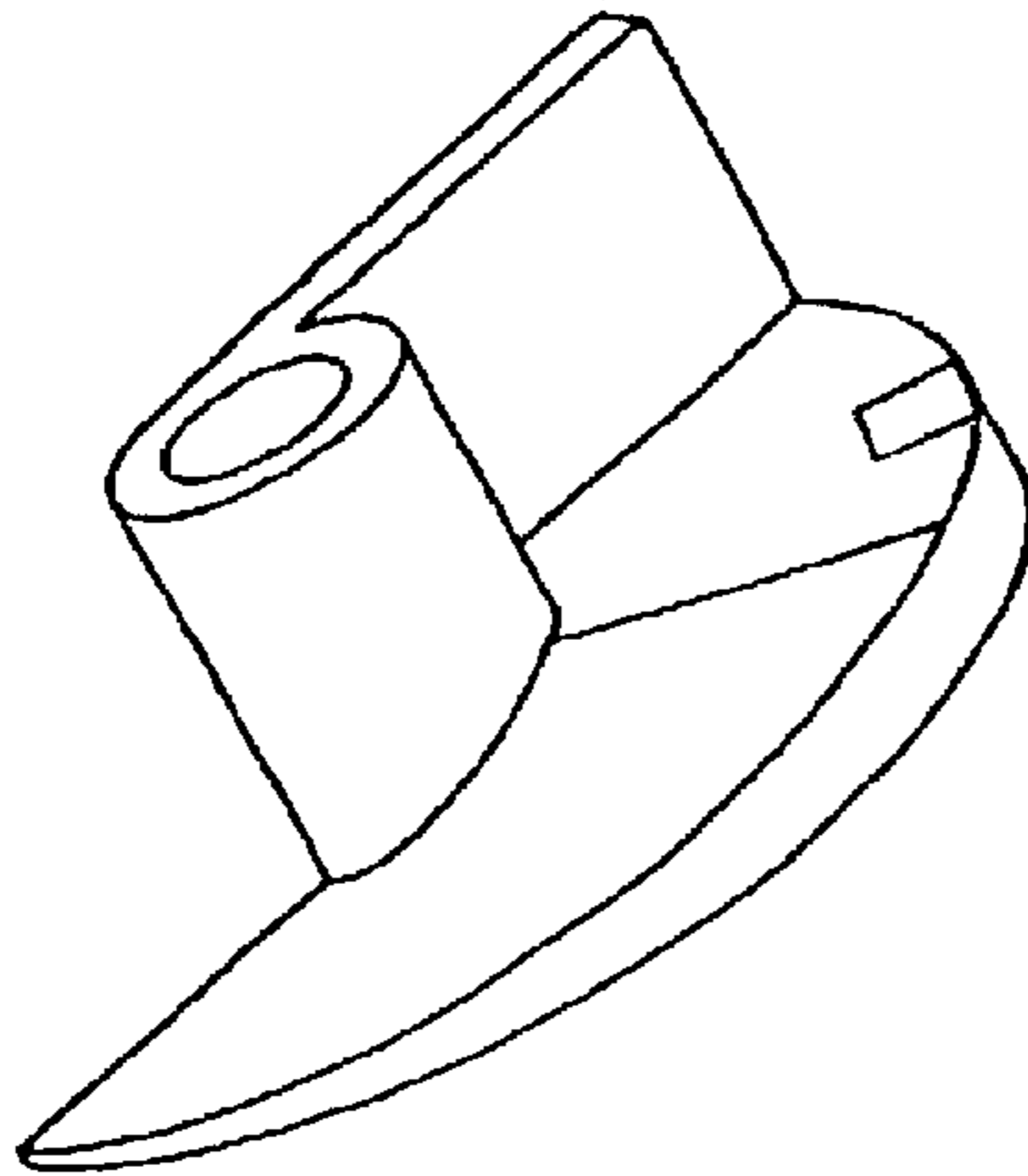


FIG. 1

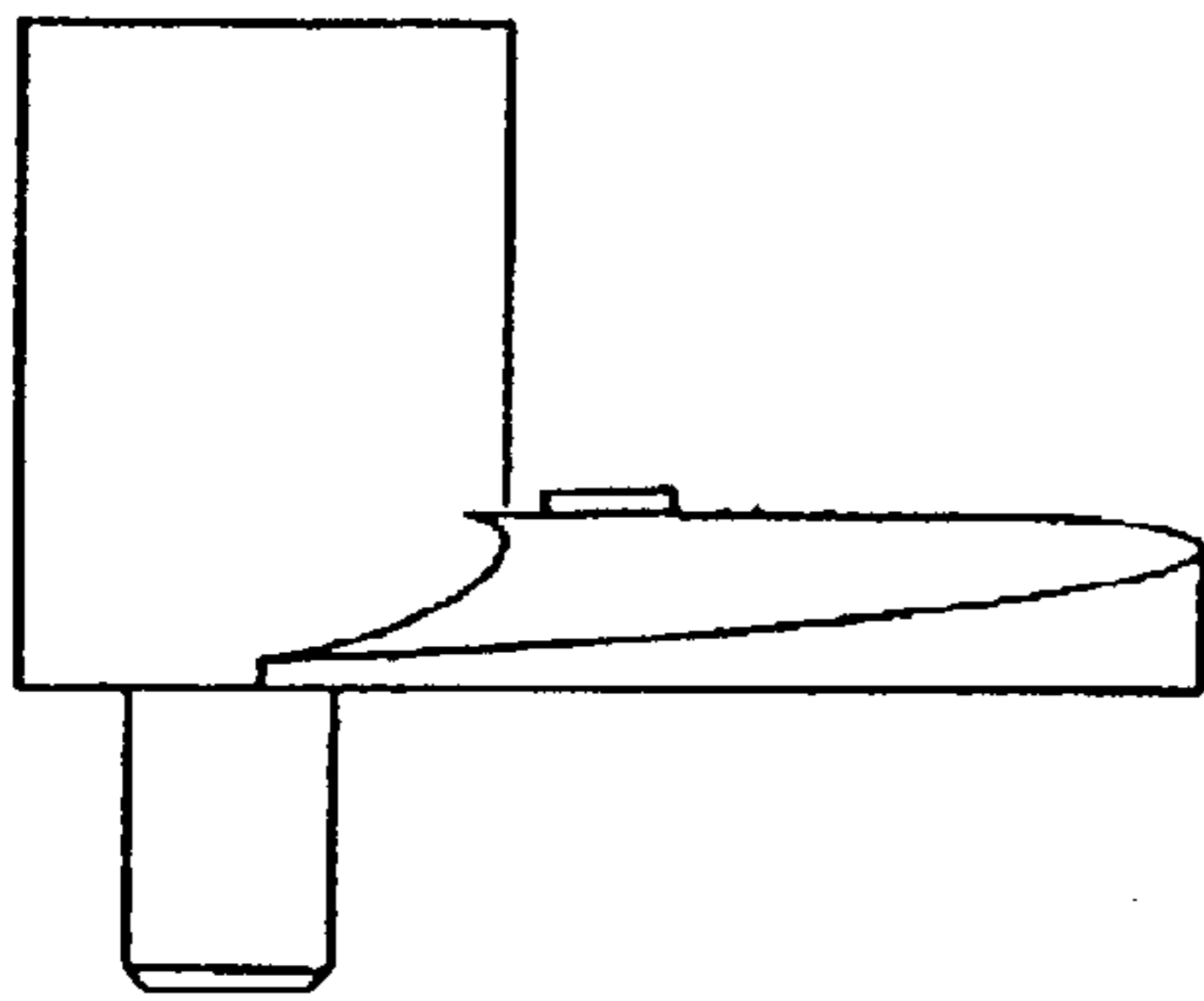


FIG. 2

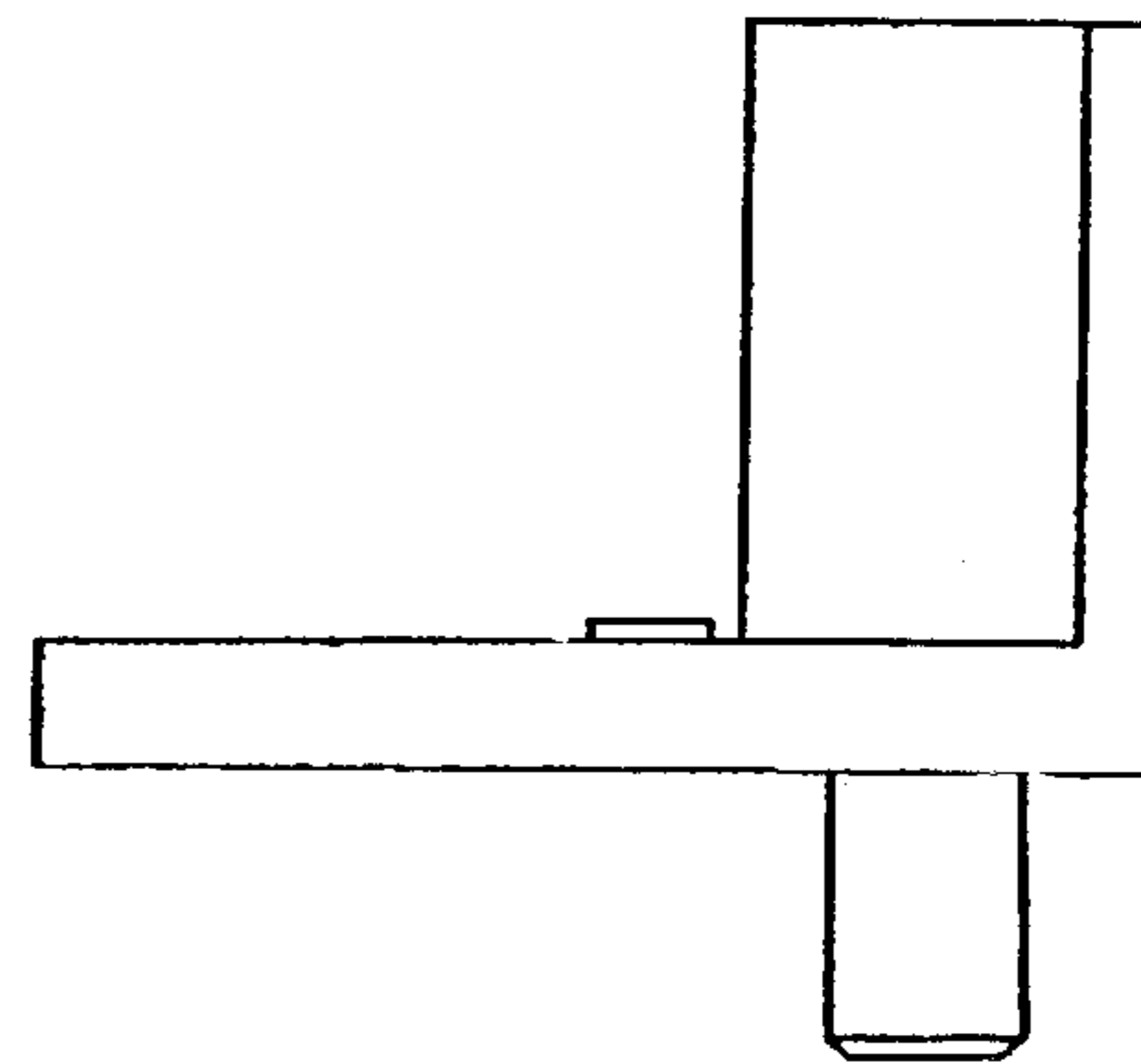


FIG. 3

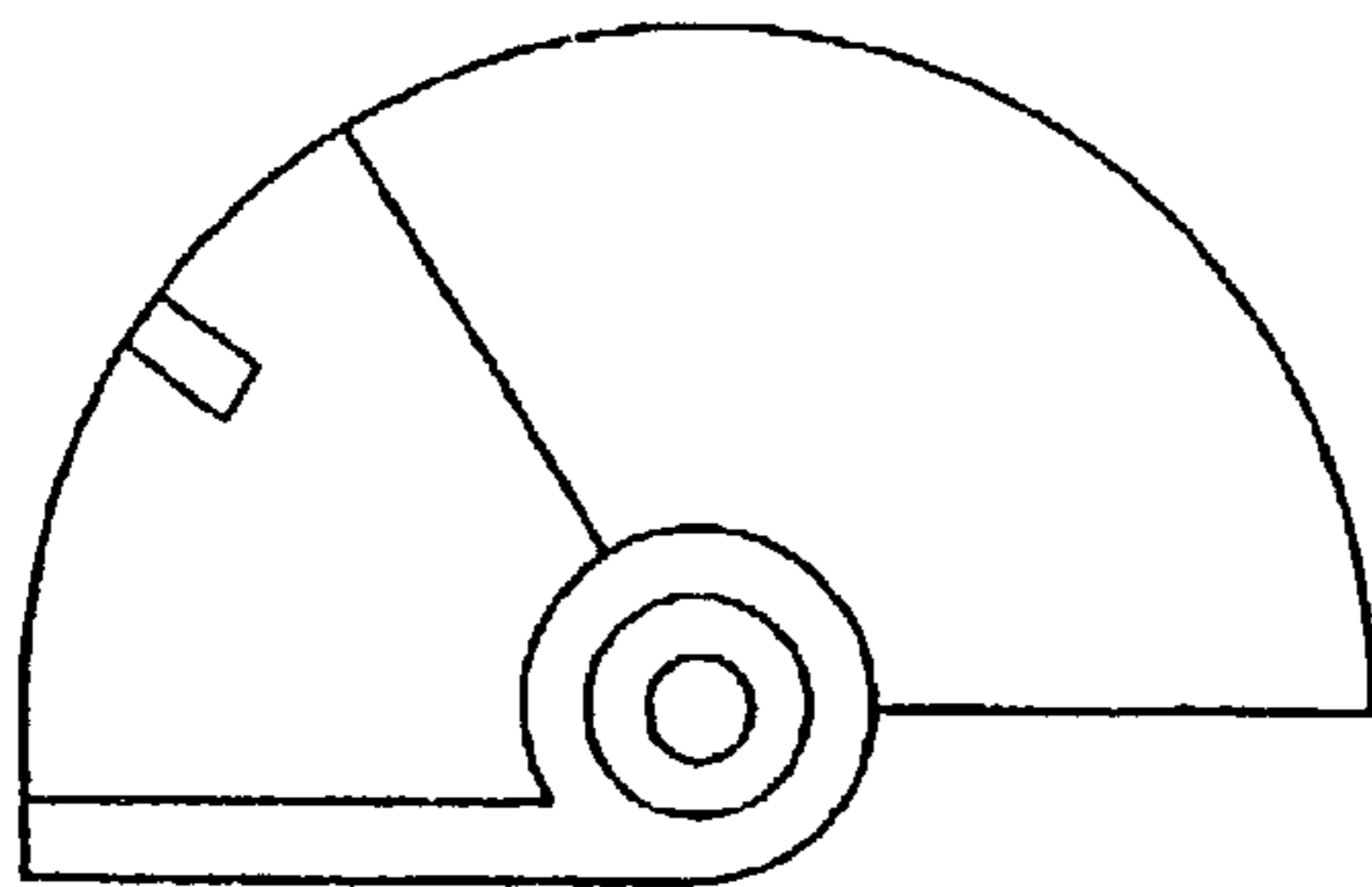


FIG. 4

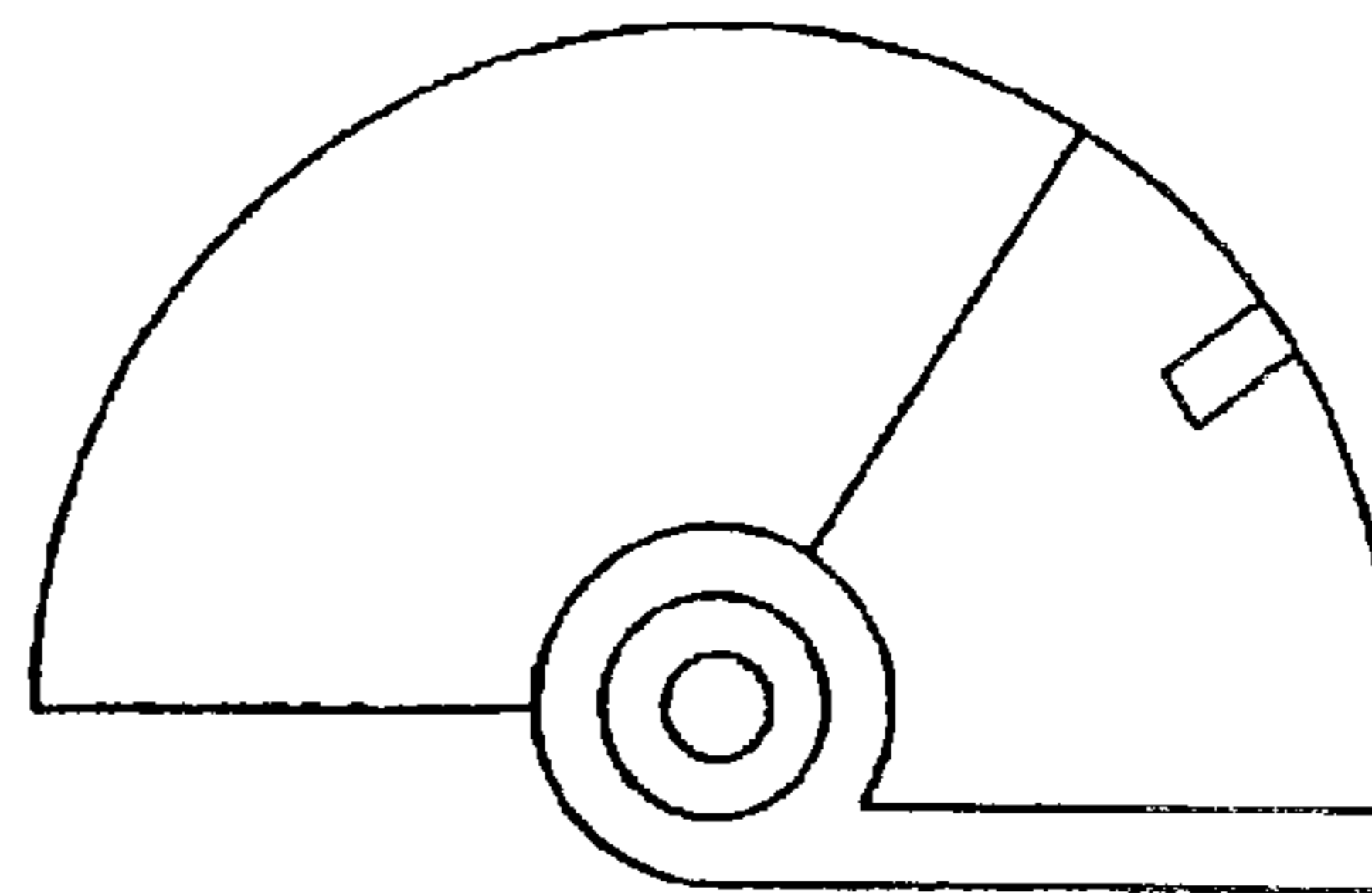


FIG. 5

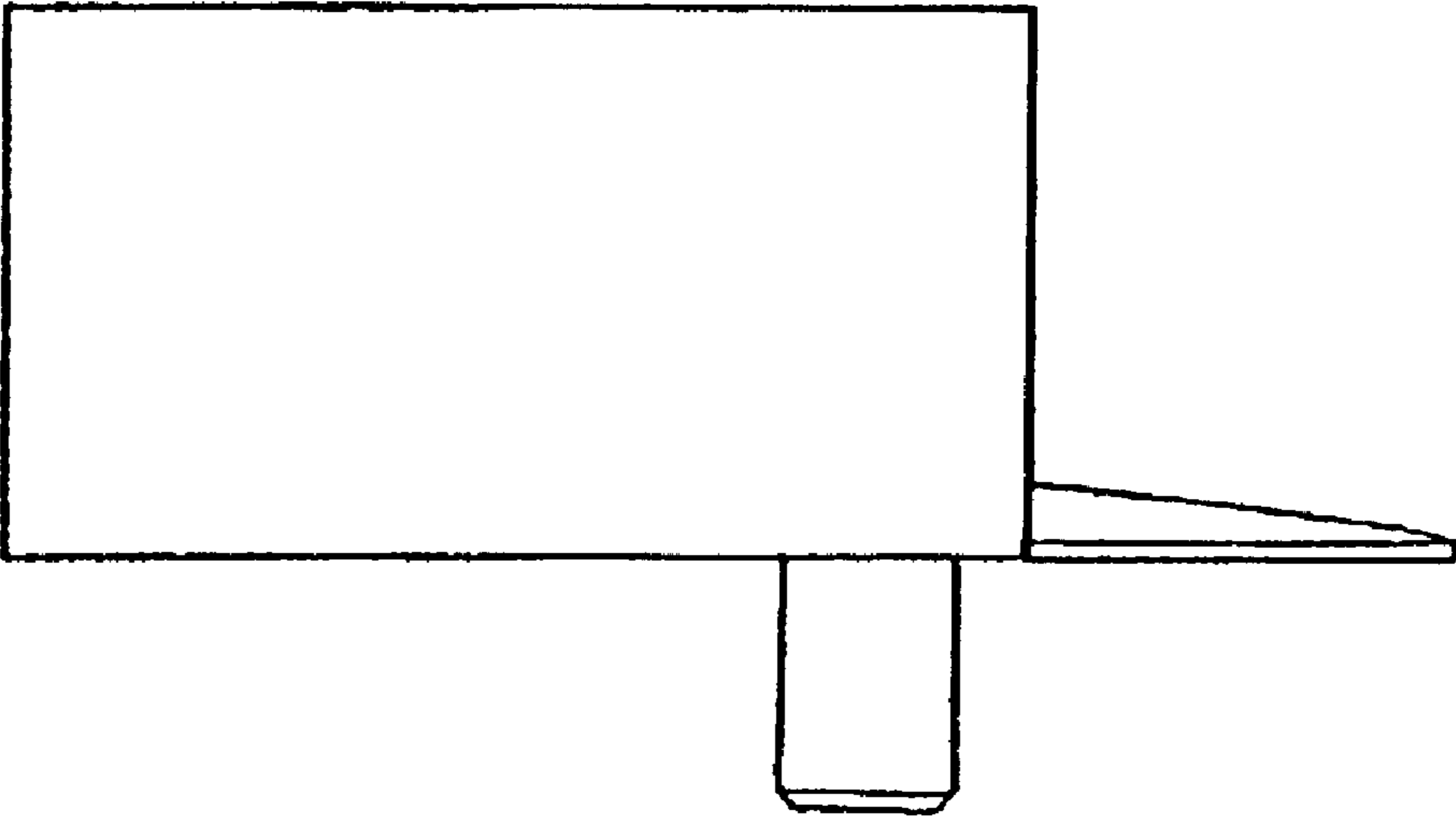


FIG. 6

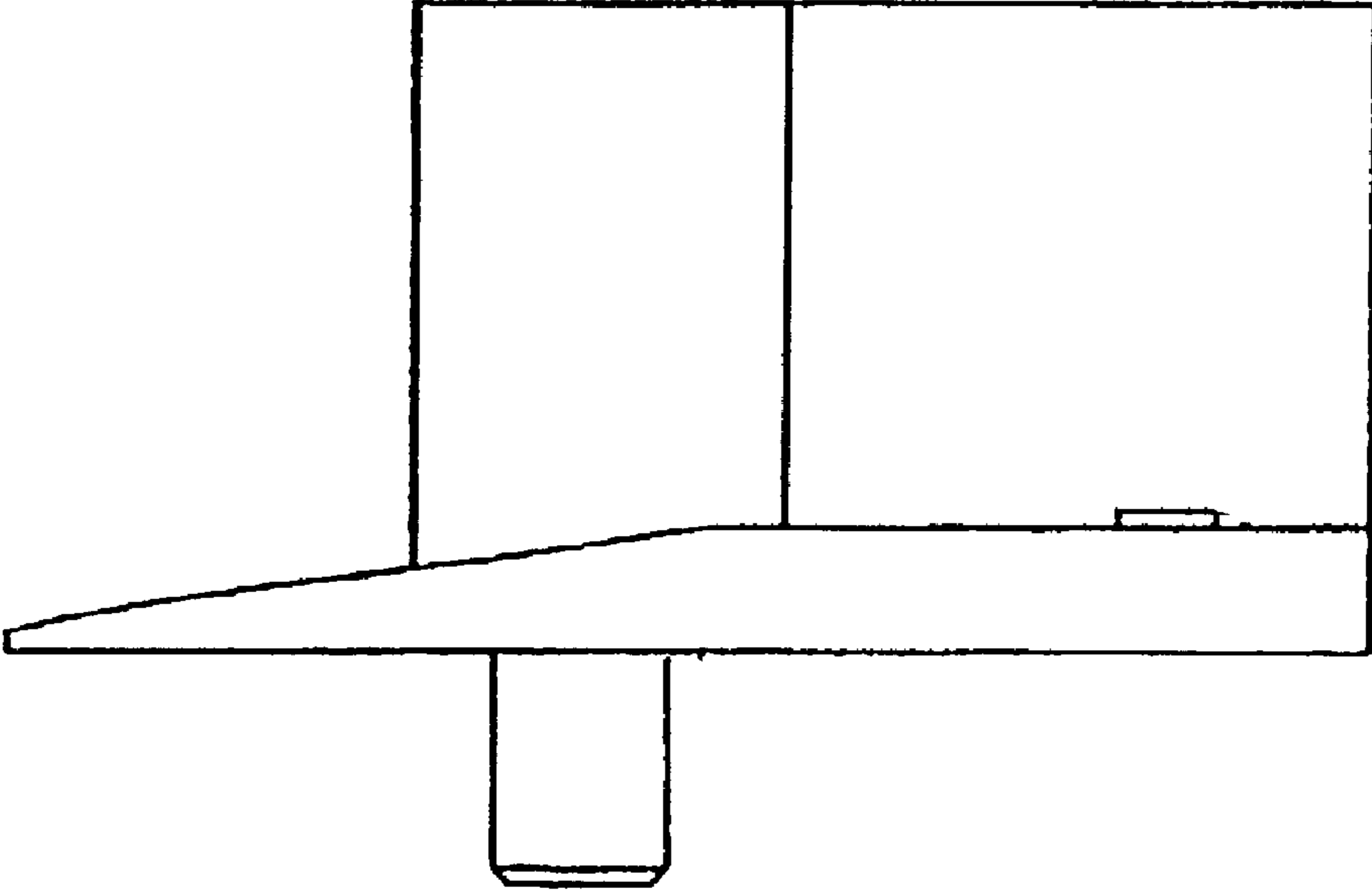


FIG. 7