

US00D506382S

(12) **United States Design Patent**
McIntosh

(10) **Patent No.:** **US D506,382 S**
(45) **Date of Patent:** **** Jun. 21, 2005**

(54) **SWITCH PLATE**

(76) **Inventor:** **Barbara Ann McIntosh**, 1812 W.
Nancy Creek Dr., Atlanta, GA (US)
30341

(**) **Term:** **14 Years**

(21) **Appl. No.:** **29/187,758**

(22) **Filed:** **Aug. 5, 2003**

(51) **LOC (8) Cl.** **11-05**

(52) **U.S. Cl.** **D8/352**

(58) **Field of Search** D8/350-353; D10/123,
D10/108, 125; D13/156, 171, 169, 174,
158, 162; 174/66, 67; 220/241, 242

(56) **References Cited**

U.S. PATENT DOCUMENTS

2,022,364 A	*	11/1935	Walsh et al.	220/241
D173,582 S	*	11/1954	Lovine	D8/352
D405,995 S	*	2/1999	Harris	D6/524
D465,990 S	*	11/2002	Betancourth	D8/352

* cited by examiner

Primary Examiner—Stella Reid
Assistant Examiner—Mark A. Goodwin
(74) *Attorney, Agent, or Firm*—Needle & Rosenberg, PC.

(57) **CLAIM**

The ornamental design for a switch plate, as shown and described.

DESCRIPTION

FIG. 1 is a perspective view of a switch plate showing my new design;

FIG. 2 is a front elevational view thereof;

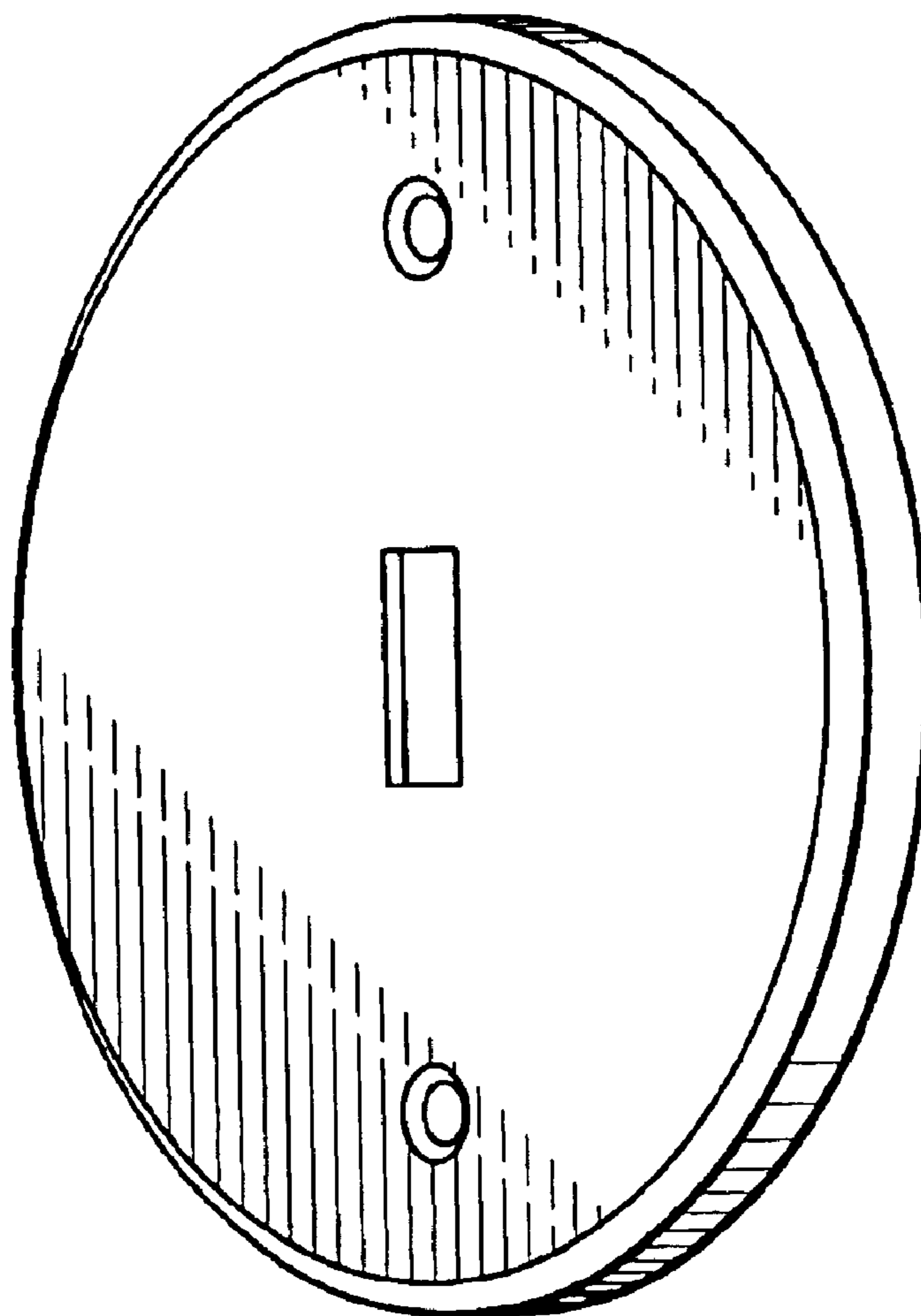
FIG. 3 is a right side elevational view thereof, of which the left side is a mirror image thereof;

FIG. 4 is a perspective view of a second embodiment of the switch plate showing my new design;

FIG. 5 is a front elevational view thereof; and,

FIG. 6 is a right side elevational view thereof, of which the left side is a mirror image thereof.

1 Claim, 2 Drawing Sheets



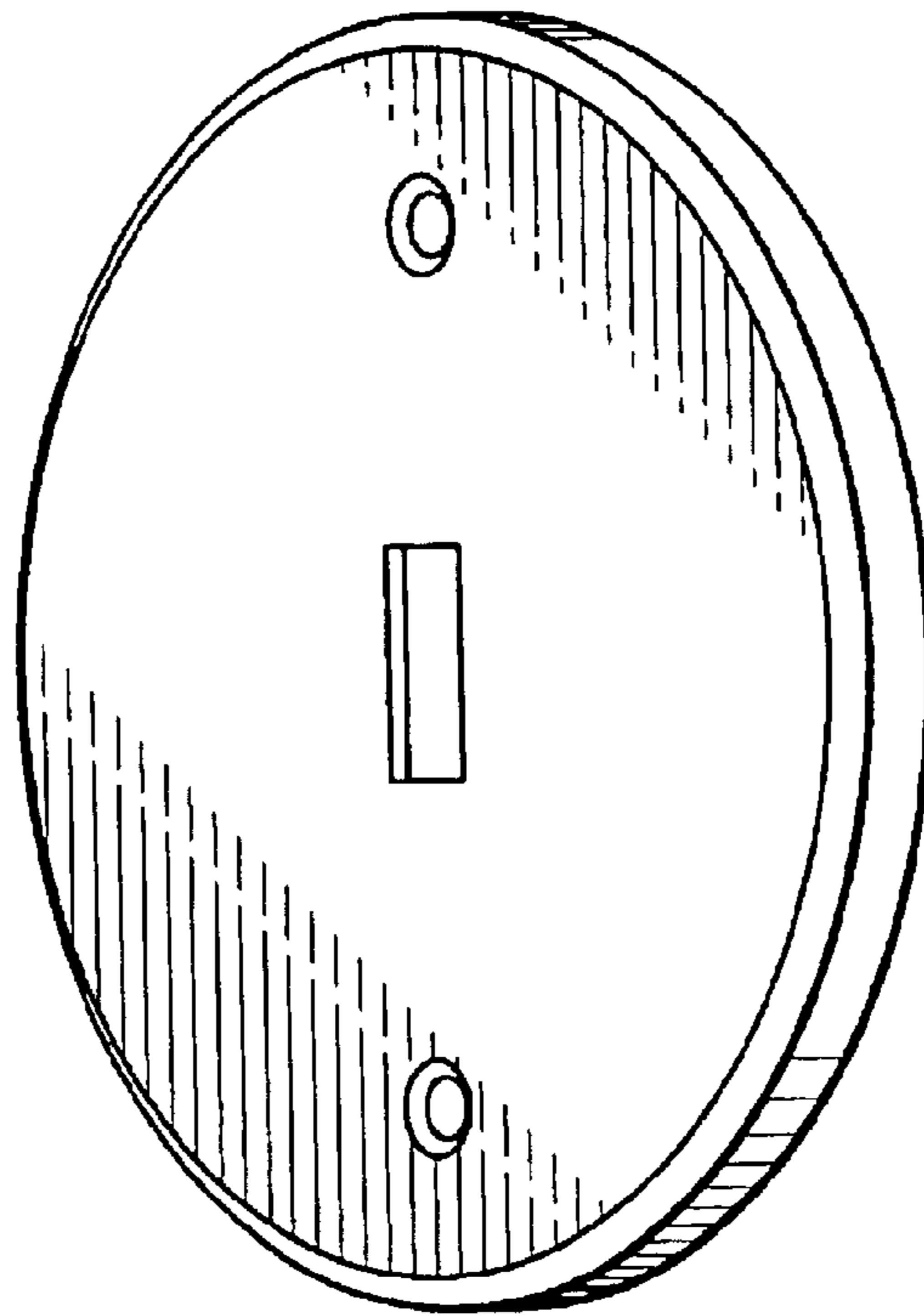


FIG 1

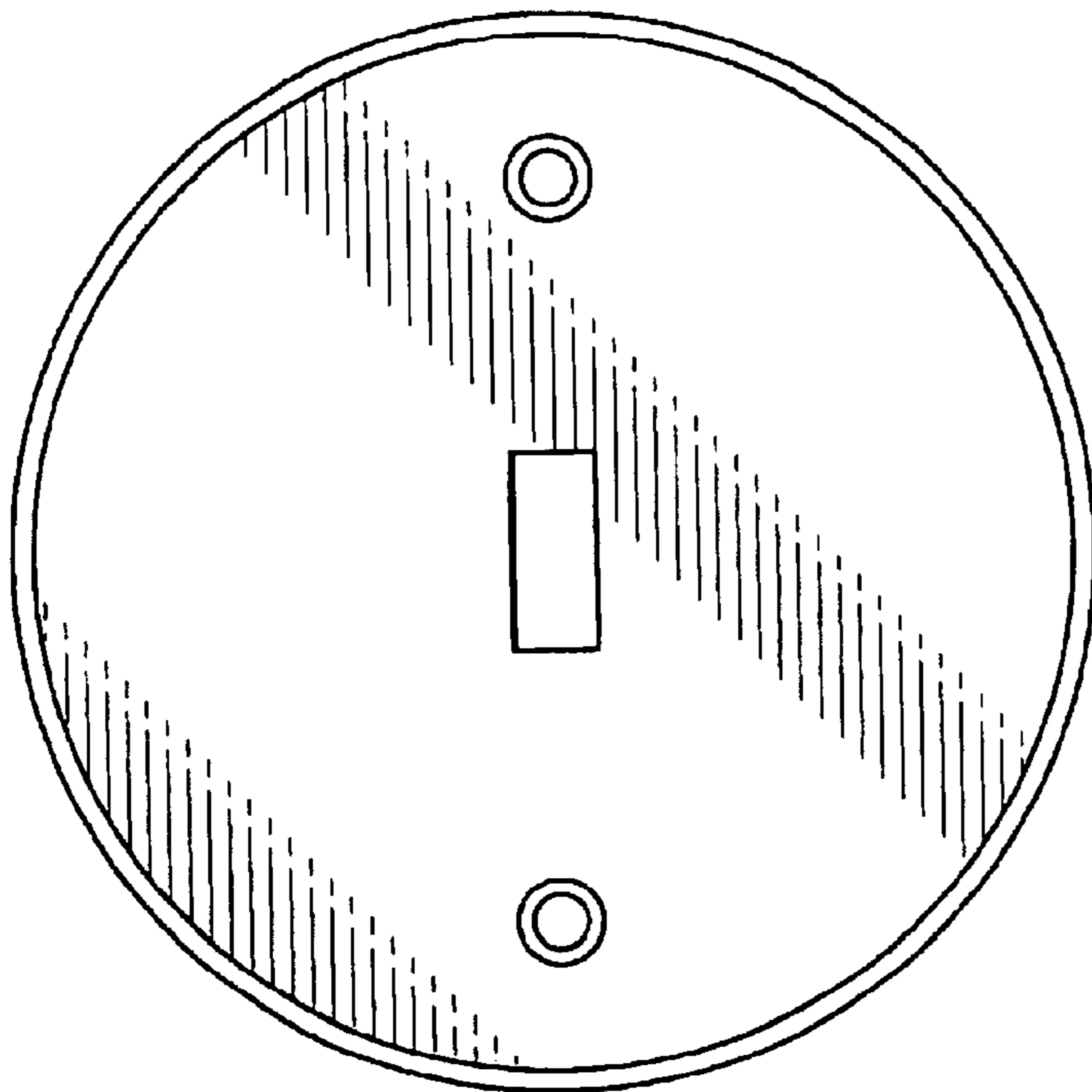


FIG 2

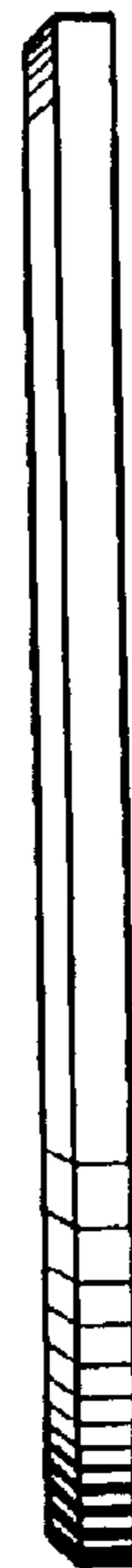


FIG 3

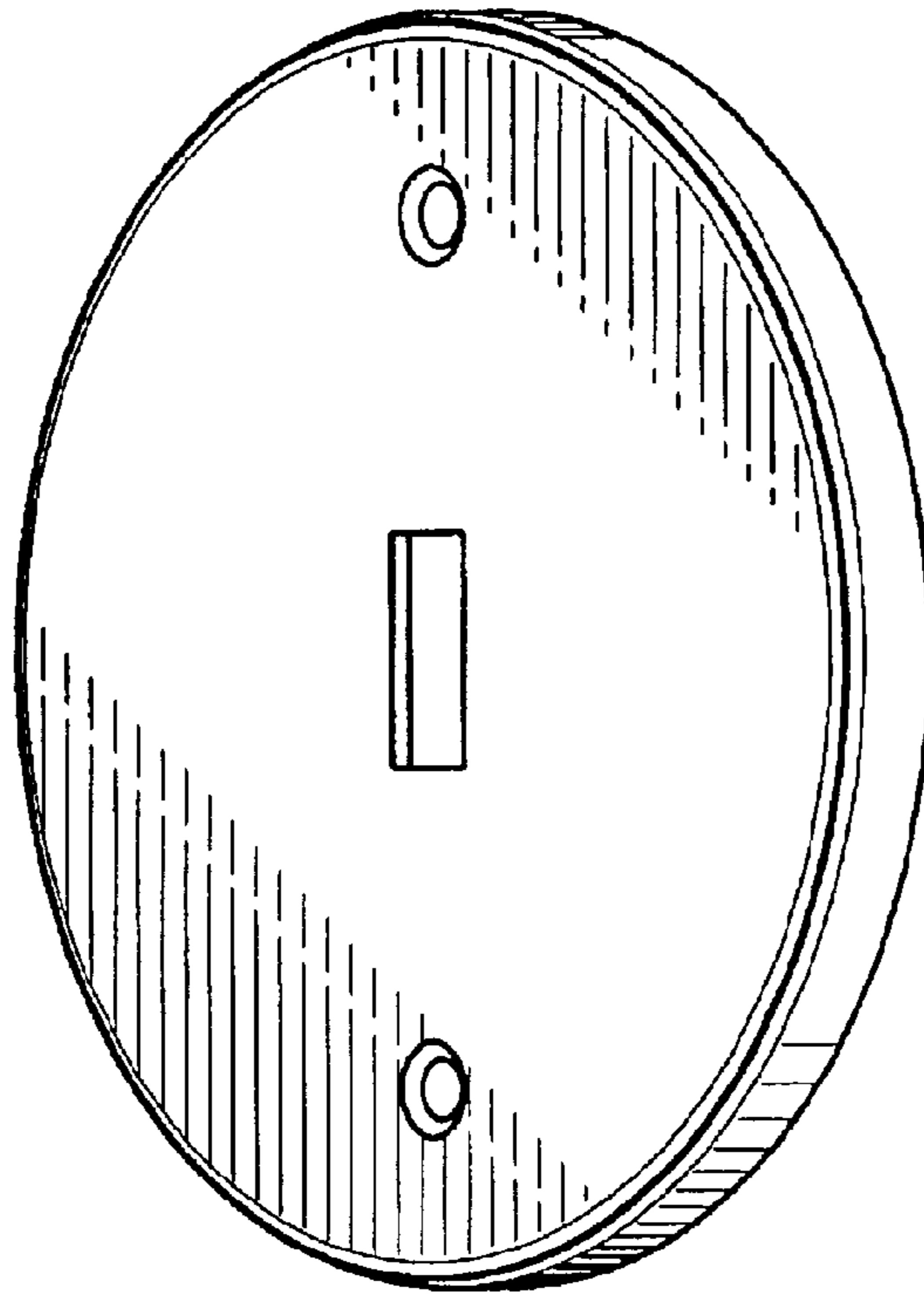


FIG 4

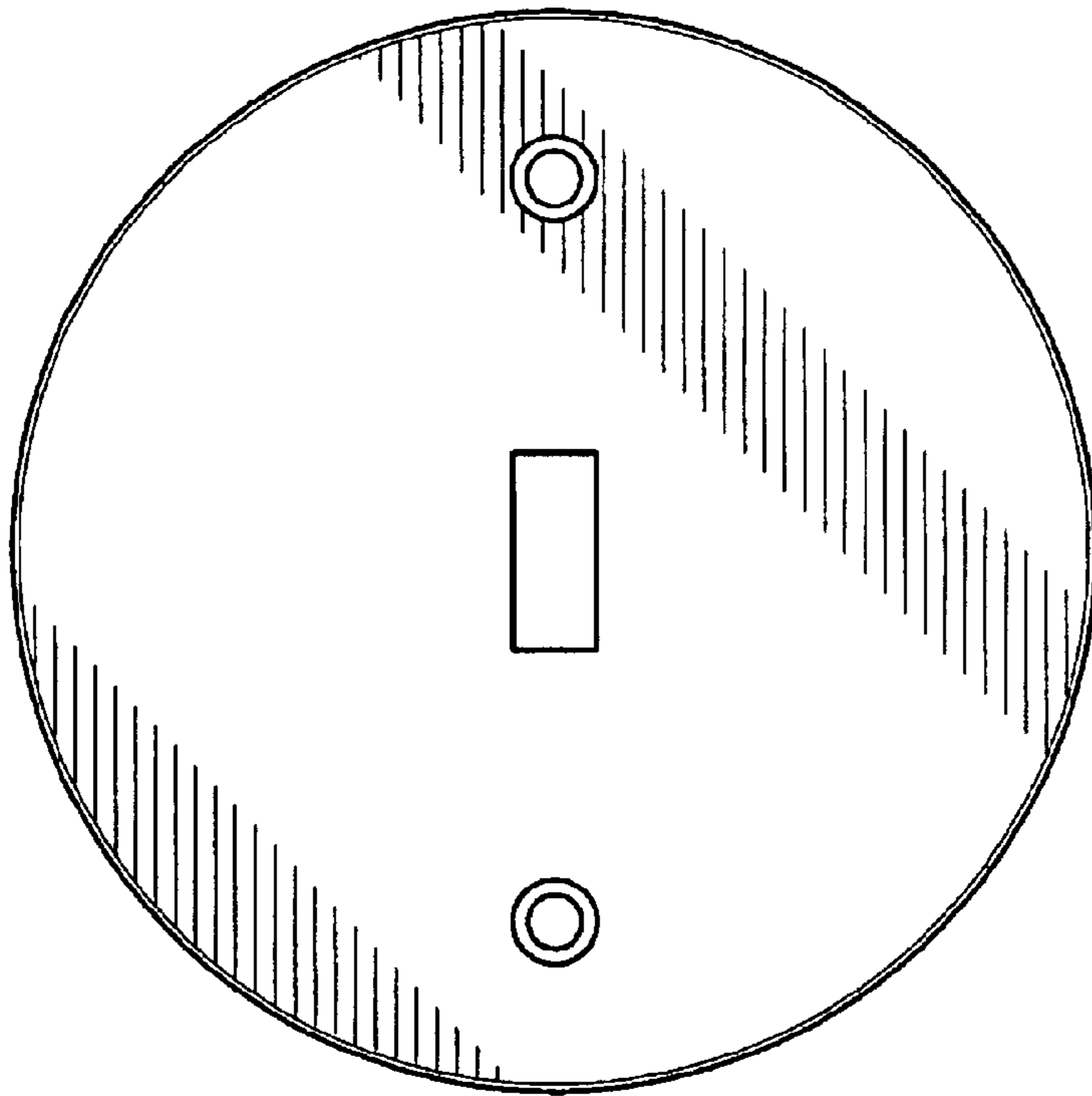


FIG 5



FIG 6