



US00D506381S

(12) **United States Design Patent**
Lu

(10) **Patent No.:** **US D506,381 S**
(45) **Date of Patent:** **** Jun. 21, 2005**

(54) **MIDDLE SLIDING RAIL FOR DRAWER**

D456,744 S * 5/2002 Shavel et al. D12/51
D457,052 S * 5/2002 Snyder D8/349

(76) Inventor: **Chun-Min Lu**, 1F., No. 12, Alley 12,
Lane 151, Sha-Lun Rd., Tamshui Chen,
Taipei Hsien (TW)

* cited by examiner

(**) Term: **14 Years**

Primary Examiner—Ruth McInroy
Assistant Examiner—Terrence Huang
(74) *Attorney, Agent, or Firm*—Troxell Law Office, PLLC

(21) Appl. No.: **29/207,061**

(57) **CLAIM**

(22) Filed: **Jun. 9, 2004**

The ornamental design for middle sliding rail for drawer, as shown and described.

(51) **LOC (8) Cl.** **08-08**

(52) **U.S. Cl.** **D8/349**

(58) **Field of Search** D8/349, 354, 382–383,
D8/377, 373; D15/140; D12/51; D25/102,
119, 121, 131; 52/461, 463, 471, 202, 238.1,
281, 585–586

DESCRIPTION

(56) **References Cited**

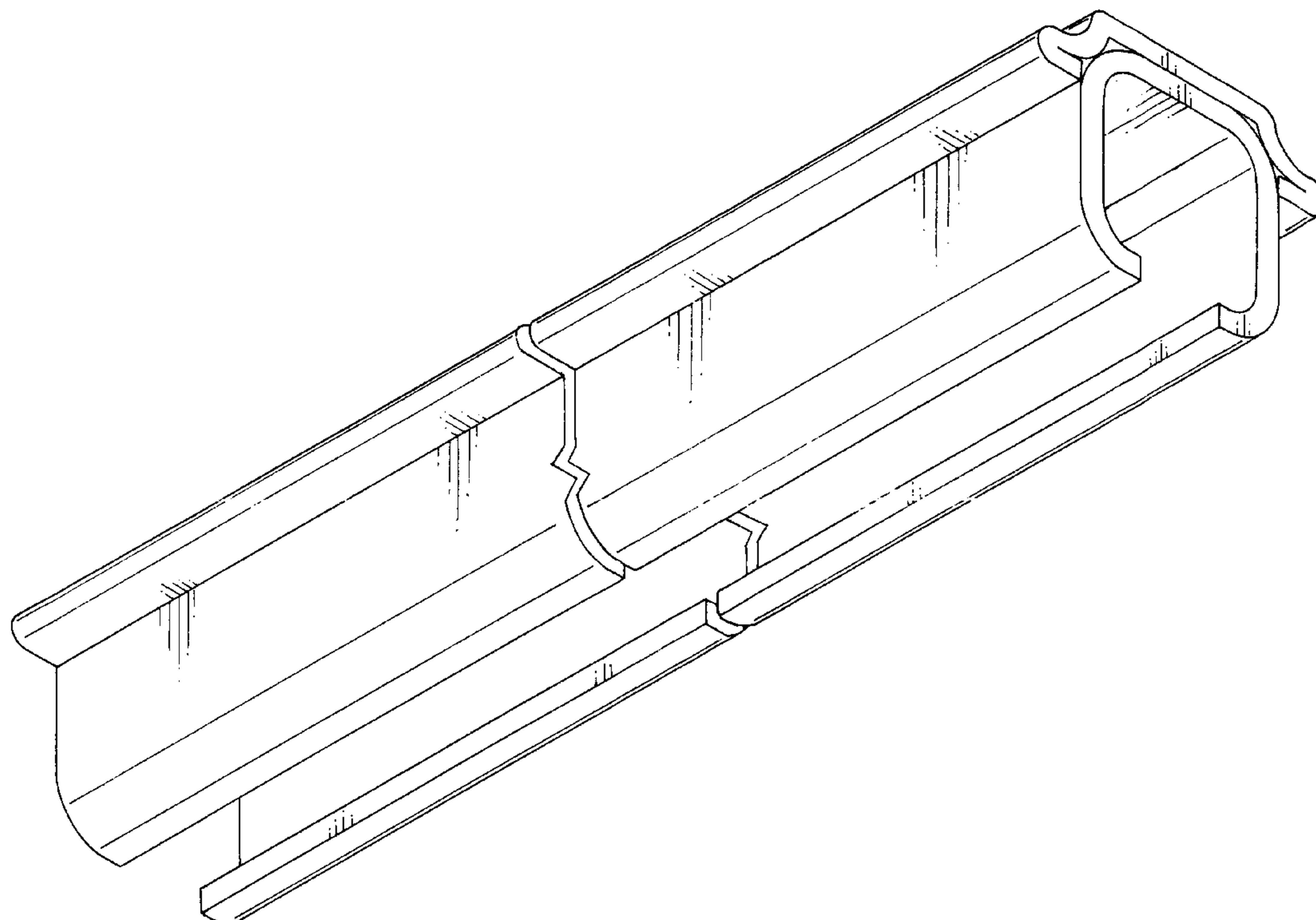
U.S. PATENT DOCUMENTS

- D309,706 S * 8/1990 Propp D8/373
- D310,376 S * 9/1990 Johnsen D15/140
- D326,403 S * 5/1992 Kleiss D8/349
- D345,498 S * 3/1994 Fraser et al. D8/377
- D418,394 S * 1/2000 King D8/354
- D436,835 S * 1/2001 Snyder D8/349
- D443,198 S * 6/2001 Snyder D8/354

FIG. 1 is a perspective view of a middle sliding rail for drawer showing my new design;
FIG. 2 is a front view thereof, the opposite side being a mirror image;
FIG. 3 is a top plan view thereof;
FIG. 4 is a bottom plan view thereof; and,
FIG. 5 is a left side view thereof, the opposite side being a mirror image.

Portions of the middle sliding rail for drawer are shown broken away in FIGS. 1, 3, 4, and 5 to indicate indefinite length.

1 Claim, 5 Drawing Sheets



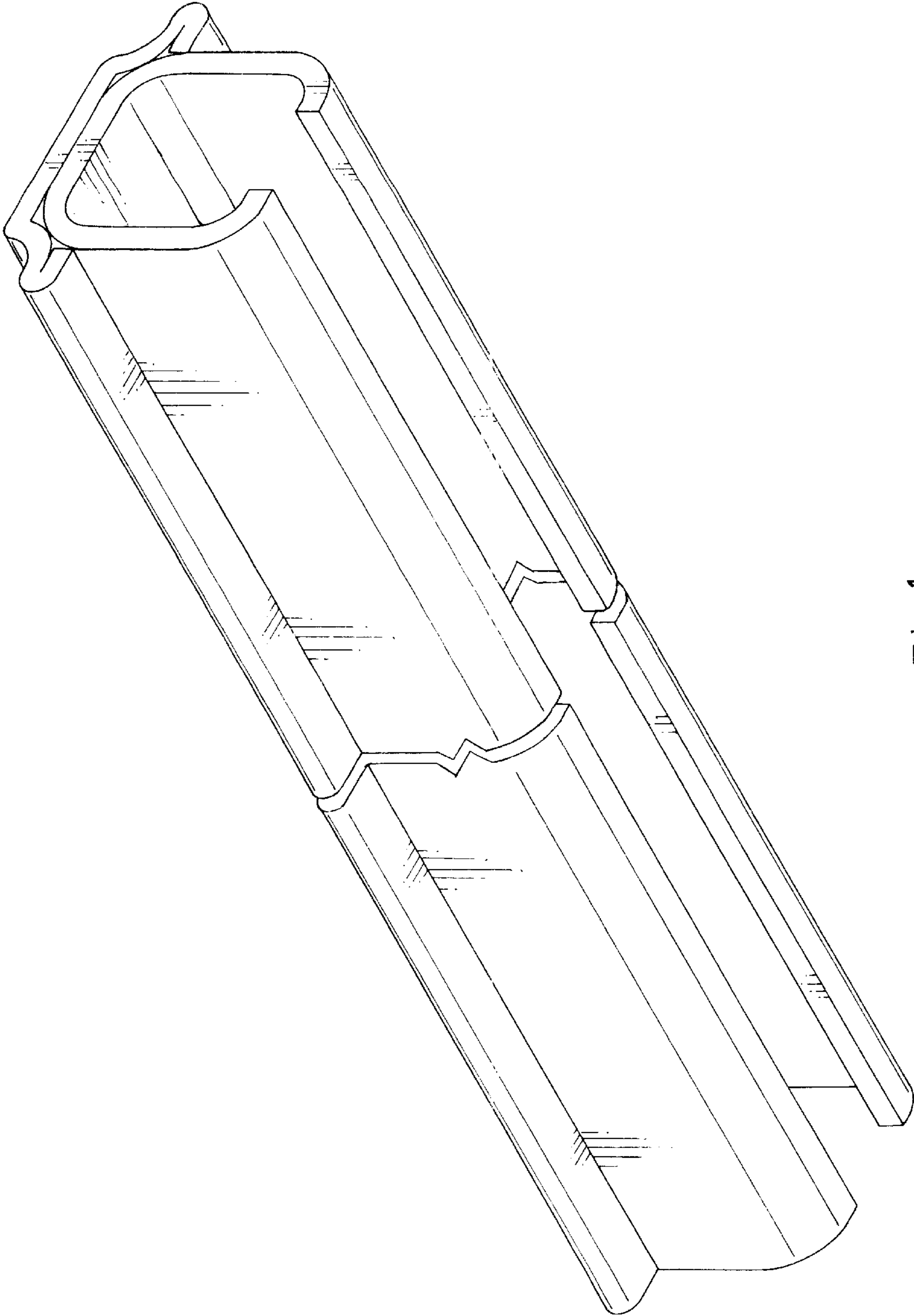


Fig. 1

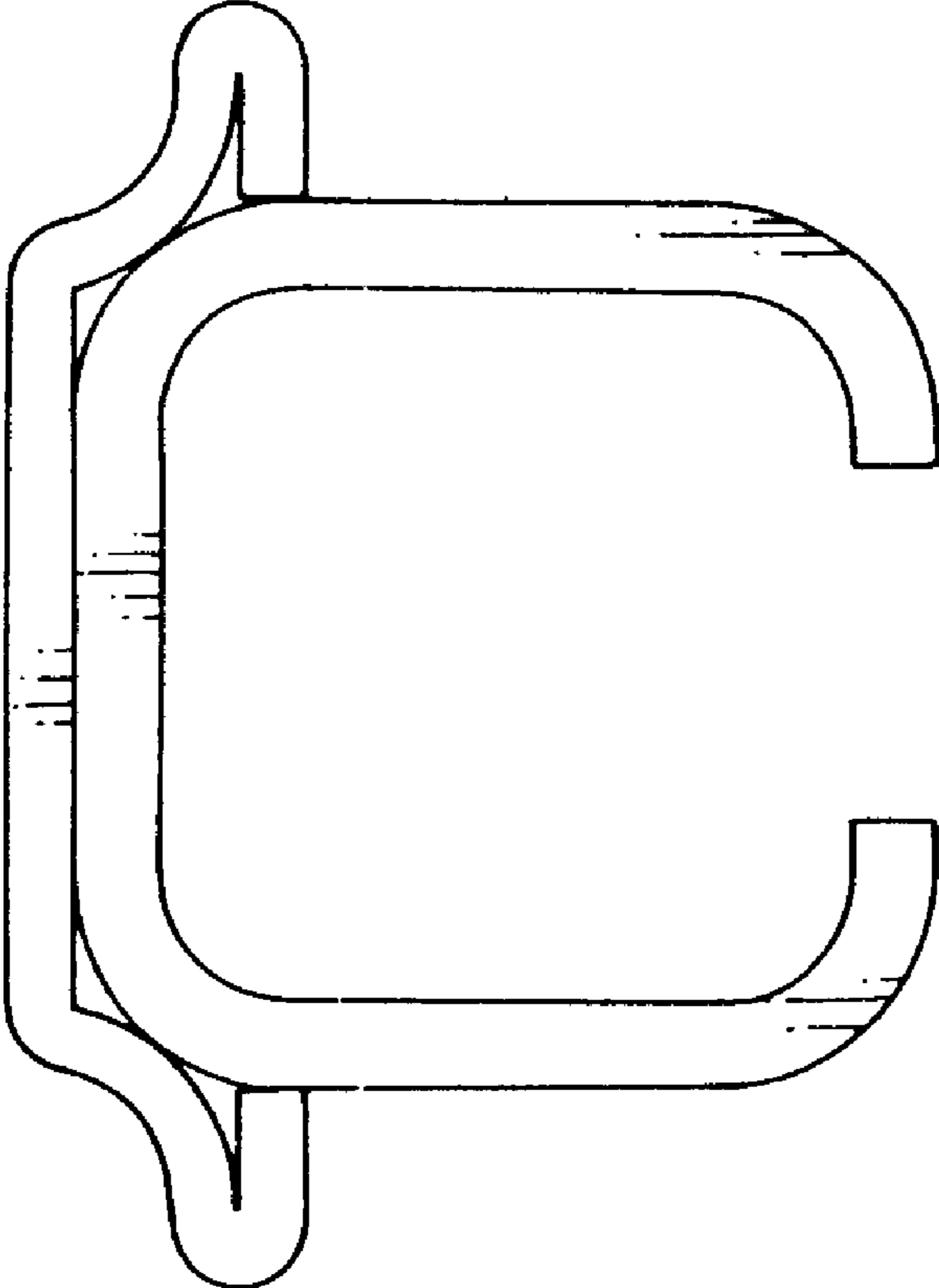


Fig. 2

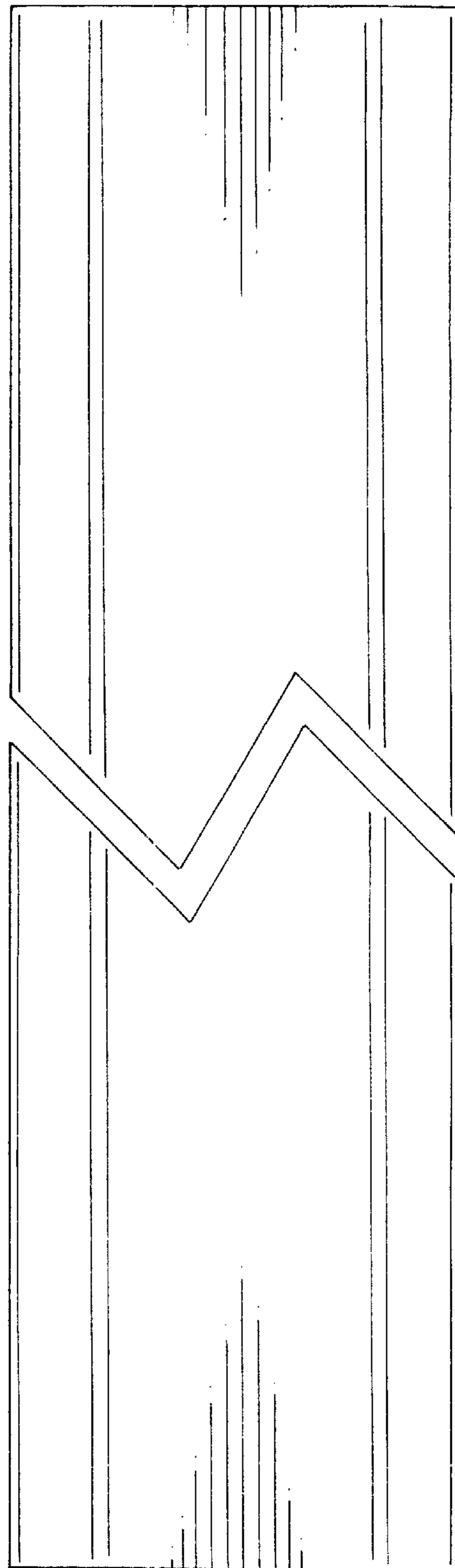


Fig. 3

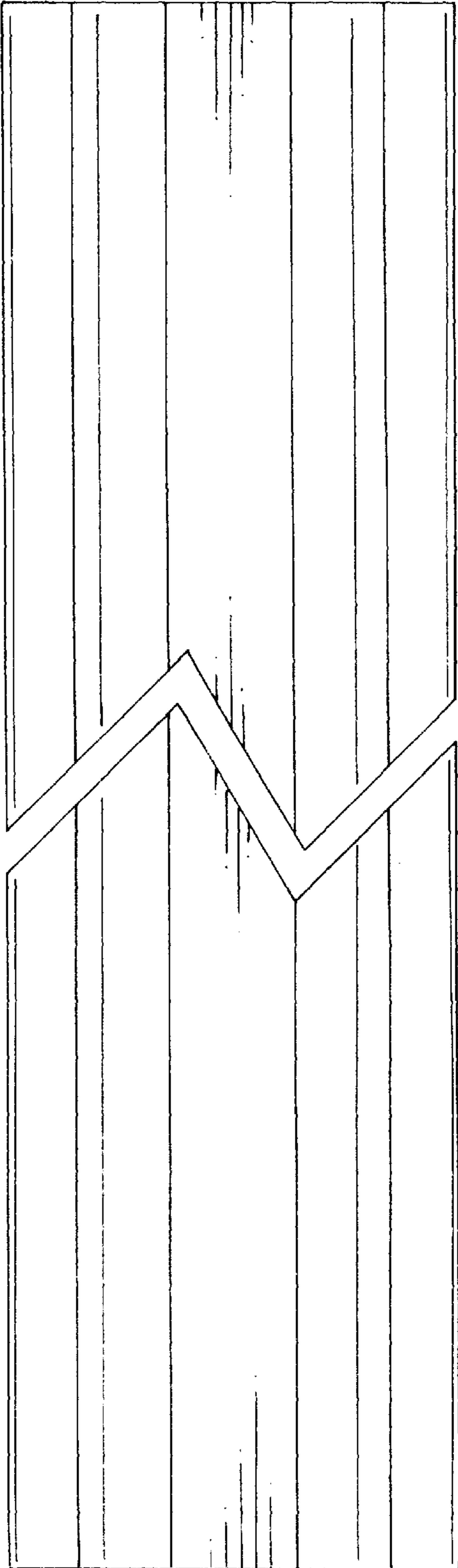


Fig. 4

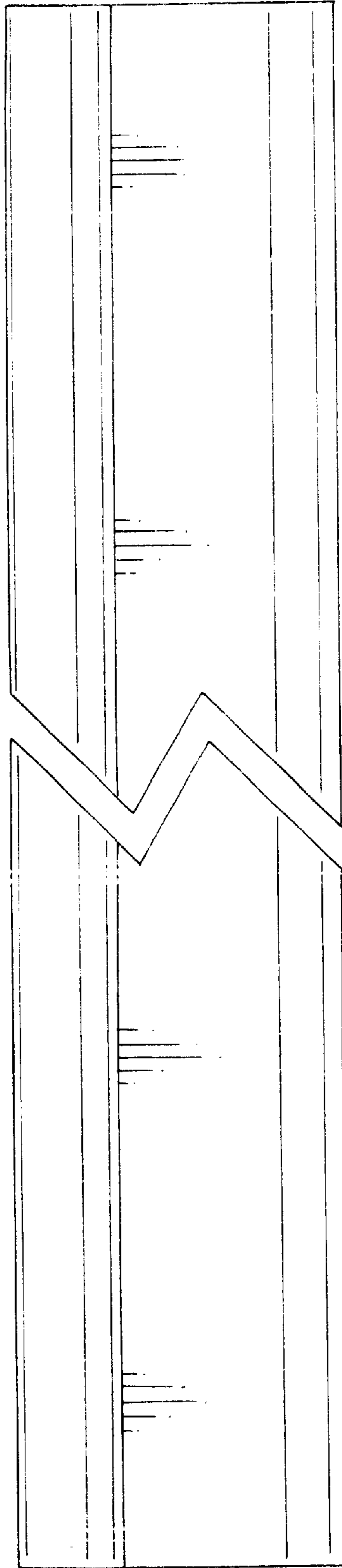


Fig. 5