

US00D506380S

(12) **United States Design Patent**
Chu

(10) **Patent No.:** **US D506,380 S**

(45) **Date of Patent:** **** Jun. 21, 2005**

(54) **SUCTION CUP WITH TAPERED STEM**

(75) **Inventor:** **Hop Chu, Kowloon (HK)**

(73) **Assignee:** **Vastbo Industries Limited (HK)**

(**) **Term:** **14 Years**

(21) **Appl. No.:** **29/204,274**

(22) **Filed:** **Apr. 27, 2004**

(51) **LOC (8) Cl.** **08-05**

(52) **U.S. Cl.** **D8/349**

(58) **Field of Search** D8/349, 354, 367,
D8/373, 71; 248/205.8, 542, 206.1, 205.7;
296/97.7; 52/203; D20/43; D12/191; D7/620

(56) **References Cited**

U.S. PATENT DOCUMENTS

1,859,893	A	*	5/1932	Rutz-Woller	248/542
D275,868	S	*	10/1984	Ake	D20/43
D302,107	S	*	7/1989	Adams	D8/354
5,029,786	A	*	7/1991	Wu	248/205.7
D327,215	S	*	6/1992	Pestone	D8/373
D332,390	S	*	1/1993	Adams	D8/373
5,176,346	A	*	1/1993	Liu	248/206.1

D340,181	S	*	10/1993	Adams et al.	D8/354
D345,903	S	*	4/1994	Adams et al.	D8/349
D355,631	S	*	2/1995	Lederhos et al.	D12/191
D388,691	S	*	1/1998	Adams	D8/354
6,143,391	A	*	11/2000	Barnes et al.	428/99
D447,012	S	*	8/2001	Owens et al.	D7/620

* cited by examiner

Primary Examiner—Ruth McInroy

Assistant Examiner—Terrence Huang

(74) *Attorney, Agent, or Firm*—Cowan, Liebowitz & Latman, P.C.

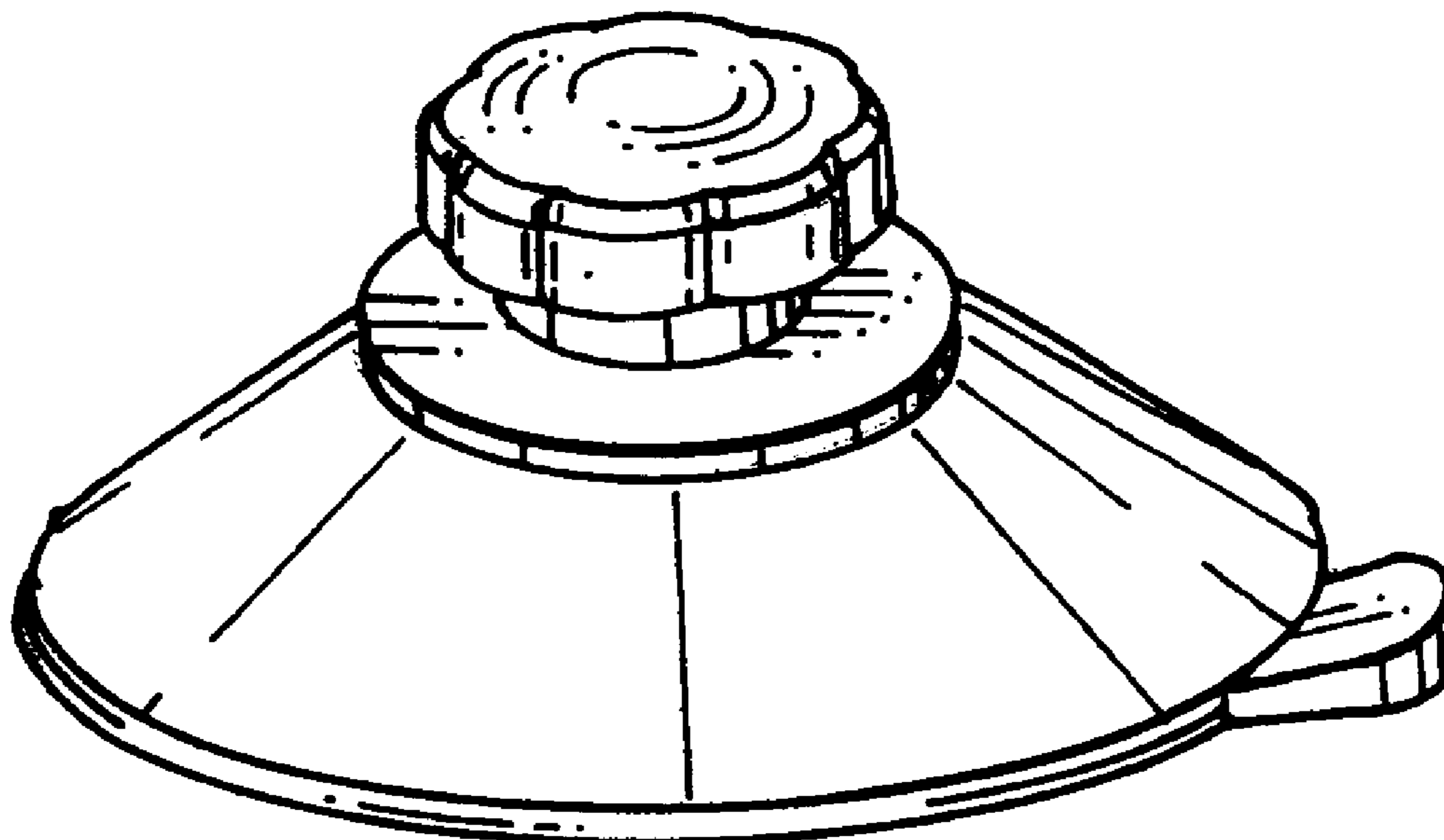
(57) **CLAIM**

The ornamental design for a suction cup with tapered stem, as shown and described.

DESCRIPTION

FIG. 1 is a top perspective view of a suction cup with tapered stem showing my new design;
FIG. 2 is a top plan view thereof;
FIG. 3 is a side view thereof;
FIG. 4 is a bottom plan view thereof; and,
FIG. 5 is a longitudinal cross-sectional view thereof taken along section line 5—5 of FIG. 2.

1 Claim, 1 Drawing Sheet



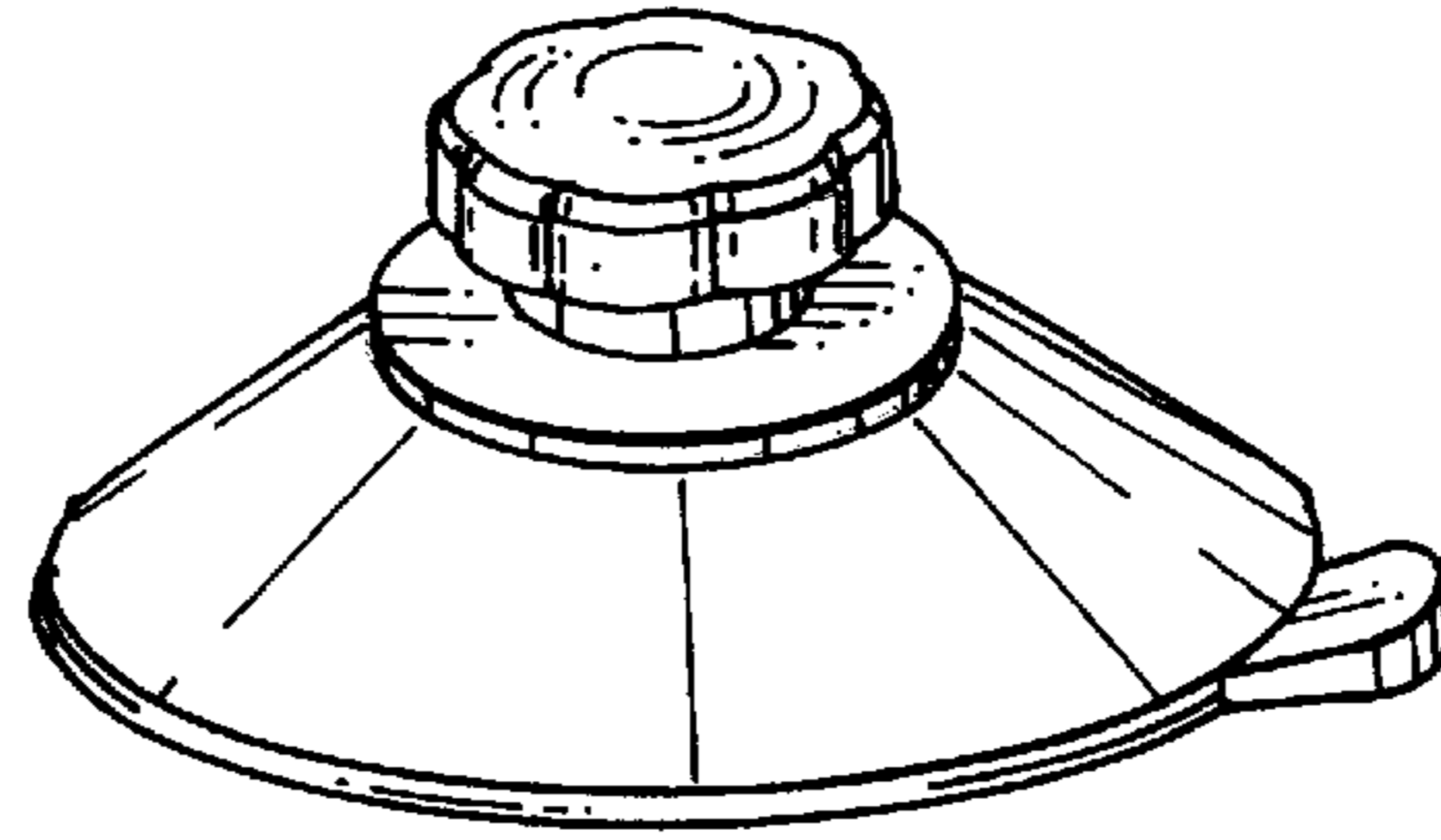


FIG. 1

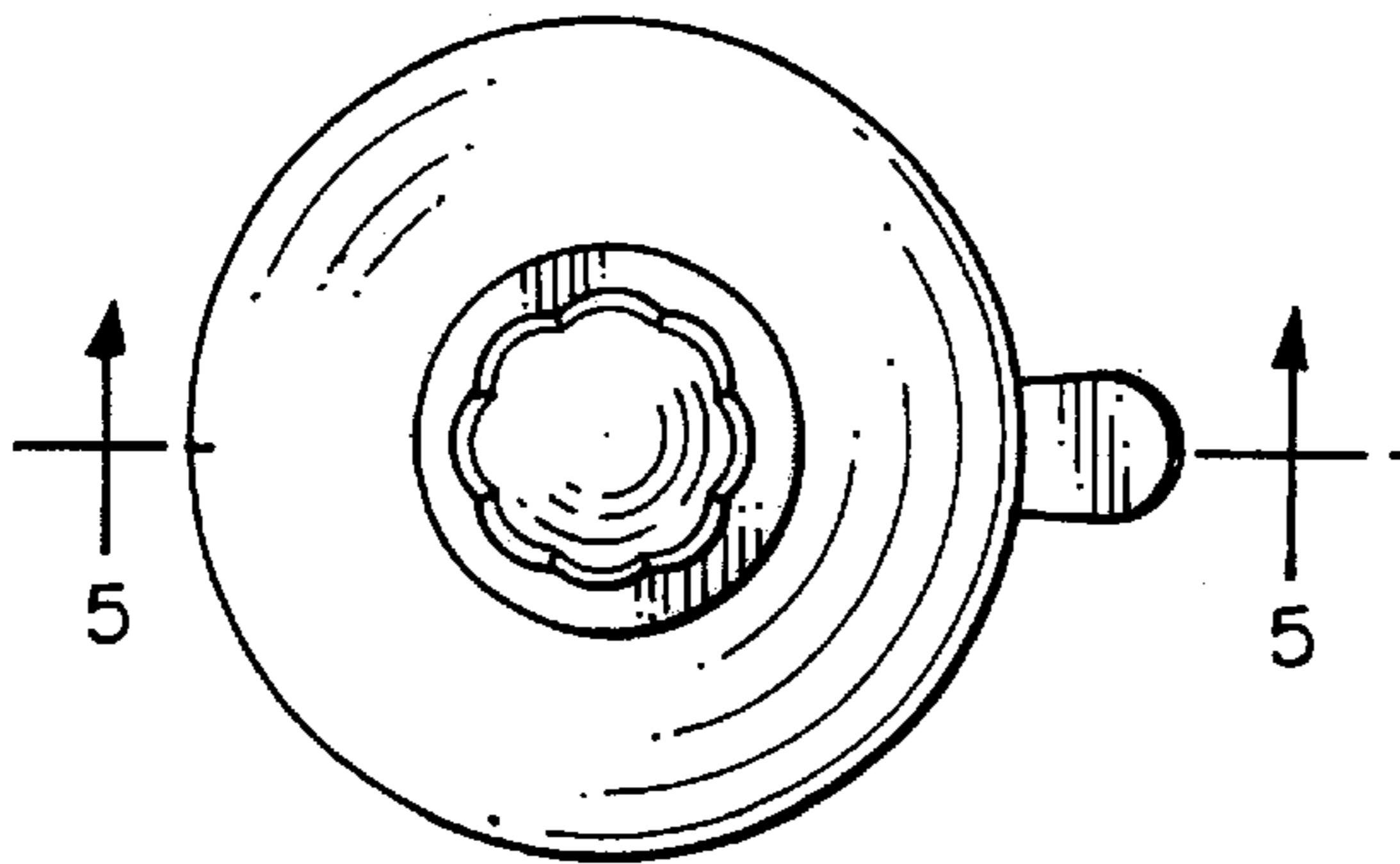


FIG. 2

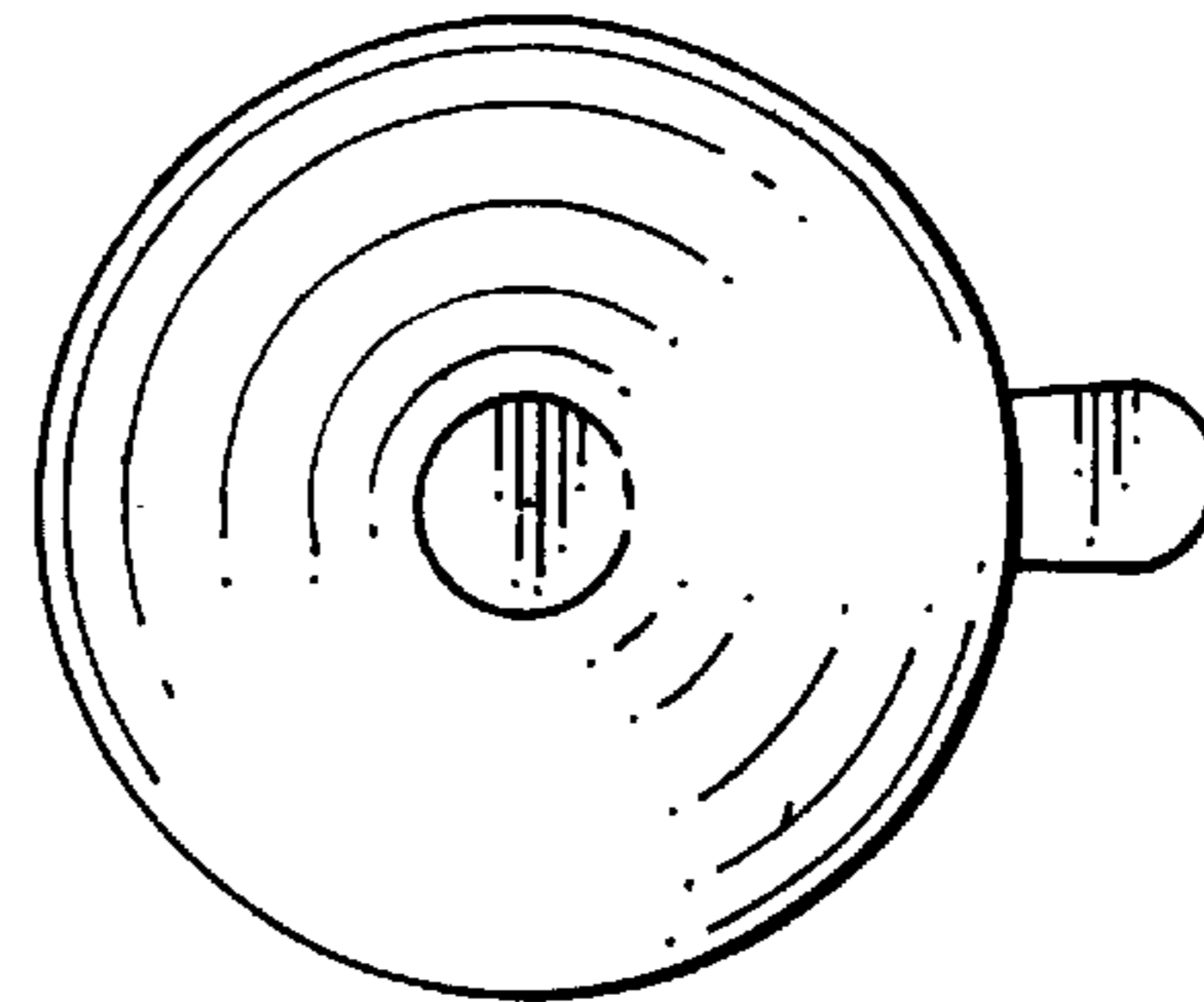


FIG. 4

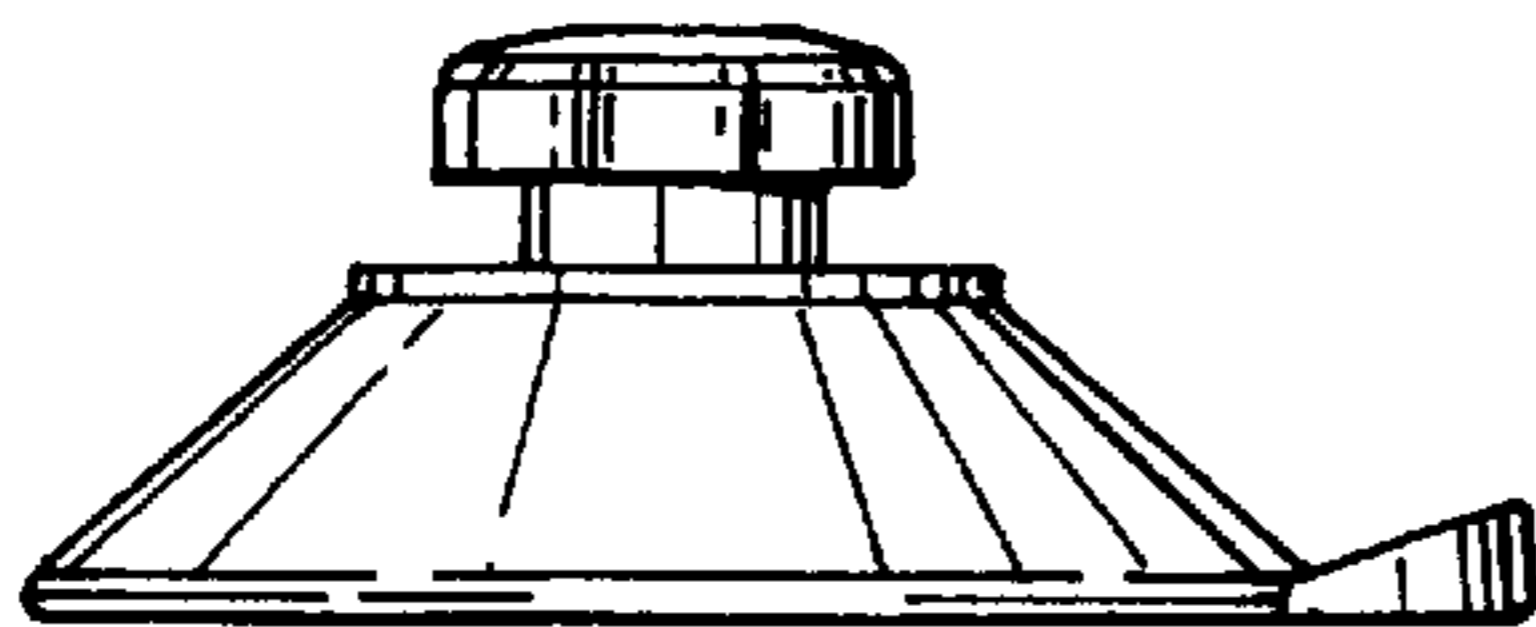


FIG. 3

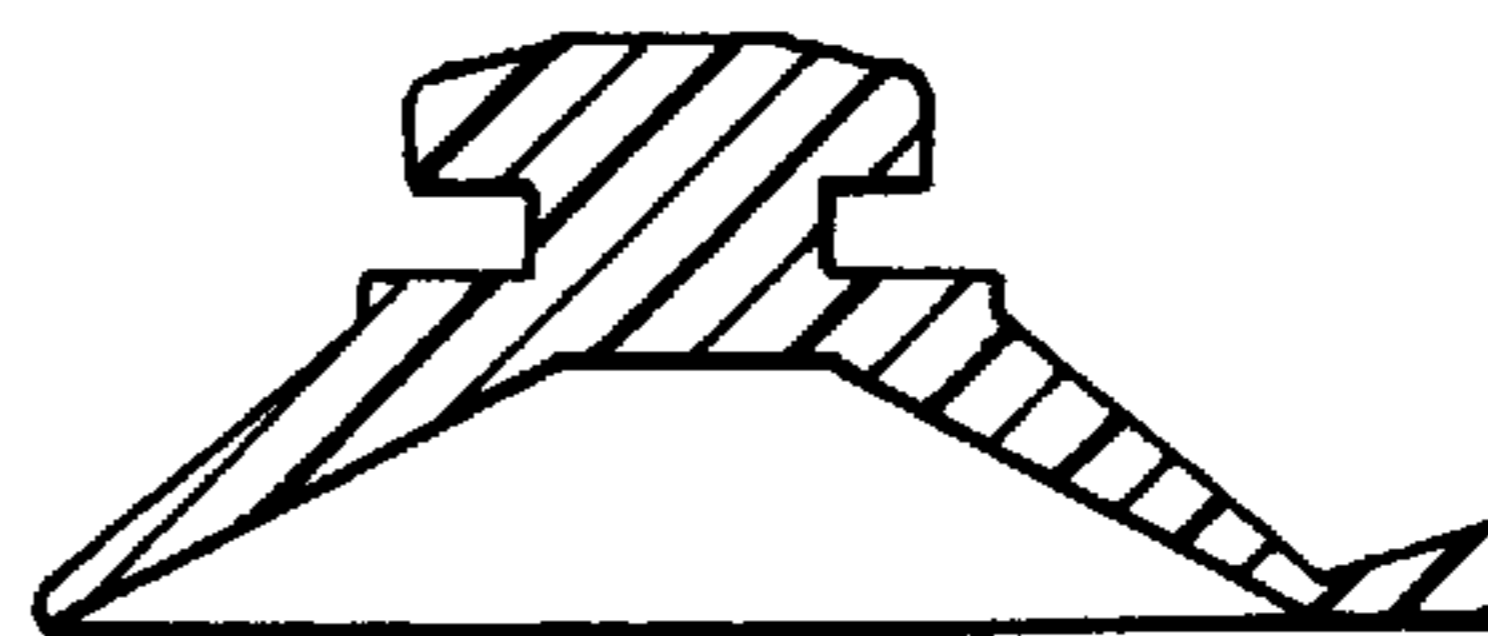


FIG. 5