

US00D506379S

(12) **United States Design Patent**
Verbeek

(10) **Patent No.:** **US D506,379 S**

(45) **Date of Patent:** **** Jun. 21, 2005**

(54) **HINGE**

(75) Inventor: **Antonius J. Verbeek**, Valkenswaard
(NL)

(73) Assignee: **Brabantia Nederland B.V.**, BP Waarle
(NL)

(**) Term: **14 Years**

(21) Appl. No.: **29/200,907**

(22) Filed: **Mar. 4, 2004**

(51) **LOC (8) Cl.** **08-06**

(52) **U.S. Cl.** **D8/323**

(58) **Field of Search** D8/323, 324, 325,
D8/326, 327, 328, 329, 349, 354, 356;
16/234-237, 239, 241, 245-246, 249, 254,
261-262, 265, 272, 277, 307, 319, 335,
339, 342, 379, 381-383, 384, 385, 386,
387, 388, 389, 221, DIG. 13, DIG. 40,
DIG. 43; 4/236, 237, 238, 239, 240; D23/303;
248/200, 221.11, 300, 309.1, 317; D7/334,
337, 402

(56) **References Cited**

U.S. PATENT DOCUMENTS

D87,867 S * 10/1932 Atwood D8/327

D96,264 S * 7/1935 Lustig D8/323
D96,265 S * 7/1935 Lustig D8/323
D99,756 S * 5/1936 Atwood D8/327
D180,188 S * 4/1957 Herider D8/323
D213,494 S * 3/1969 Speicher D8/323
D258,415 S * 3/1981 DeStepheno D8/323
D303,077 S * 8/1989 Sorimachi D8/327
D421,560 S * 3/2000 Bourgain et al. D8/327

* cited by examiner

Primary Examiner—Gary D. Watson
Assistant Examiner—T. Chase Nelson
(74) *Attorney, Agent, or Firm*—Abelman, Frayne &
Schwab

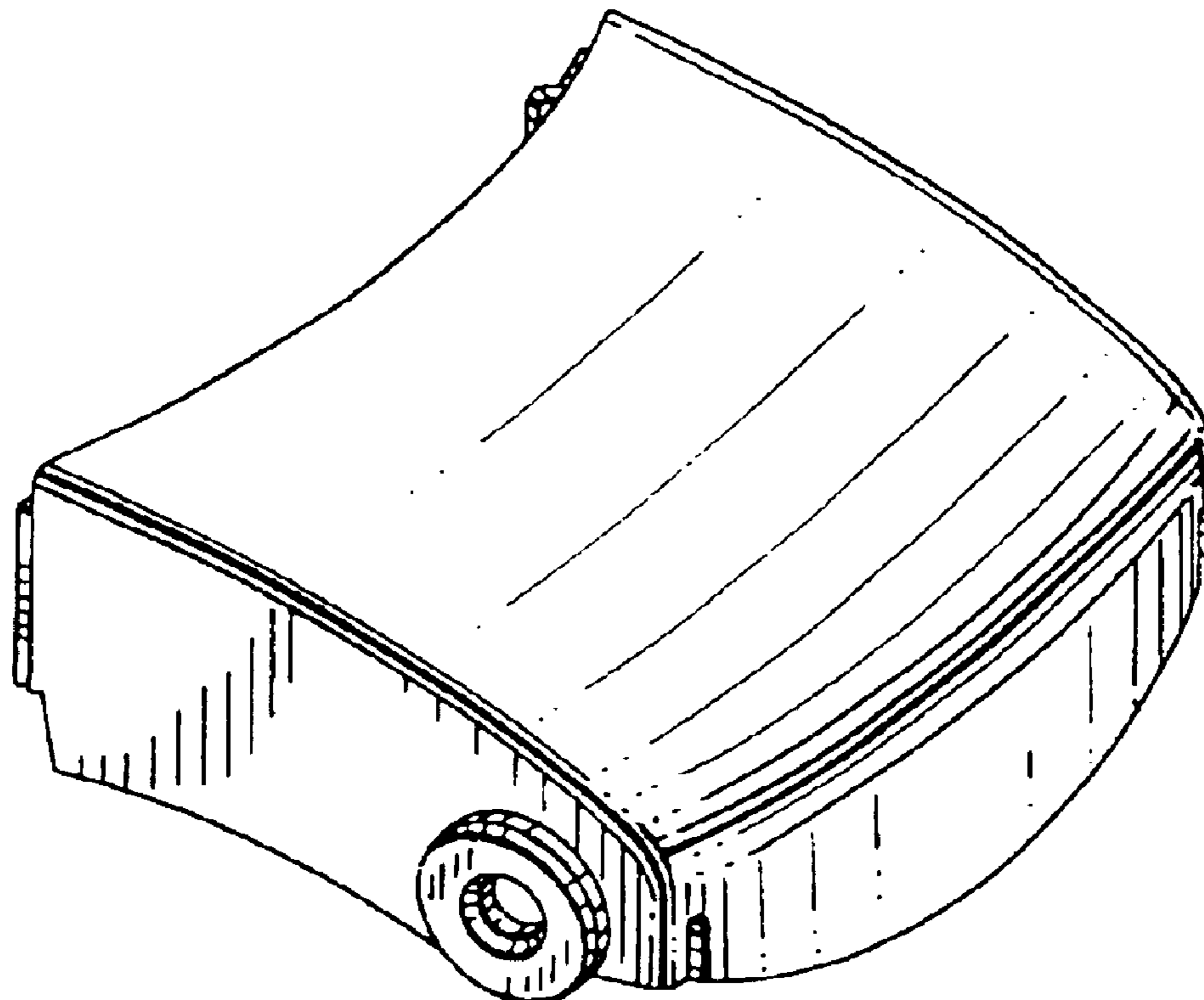
(57) **CLAIM**

The ornamental design for a hinge, as shown and described.

DESCRIPTION

FIG. 1 is a top plan view of a hinge showing my new design;
FIG. 2 is a front elevational view thereof;
FIG. 3 is a top front left side perspective view thereof; and,
FIG. 4 is a left side elevational view thereof, with the right
side elevational view being a mirror image thereof.

1 Claim, 1 Drawing Sheet



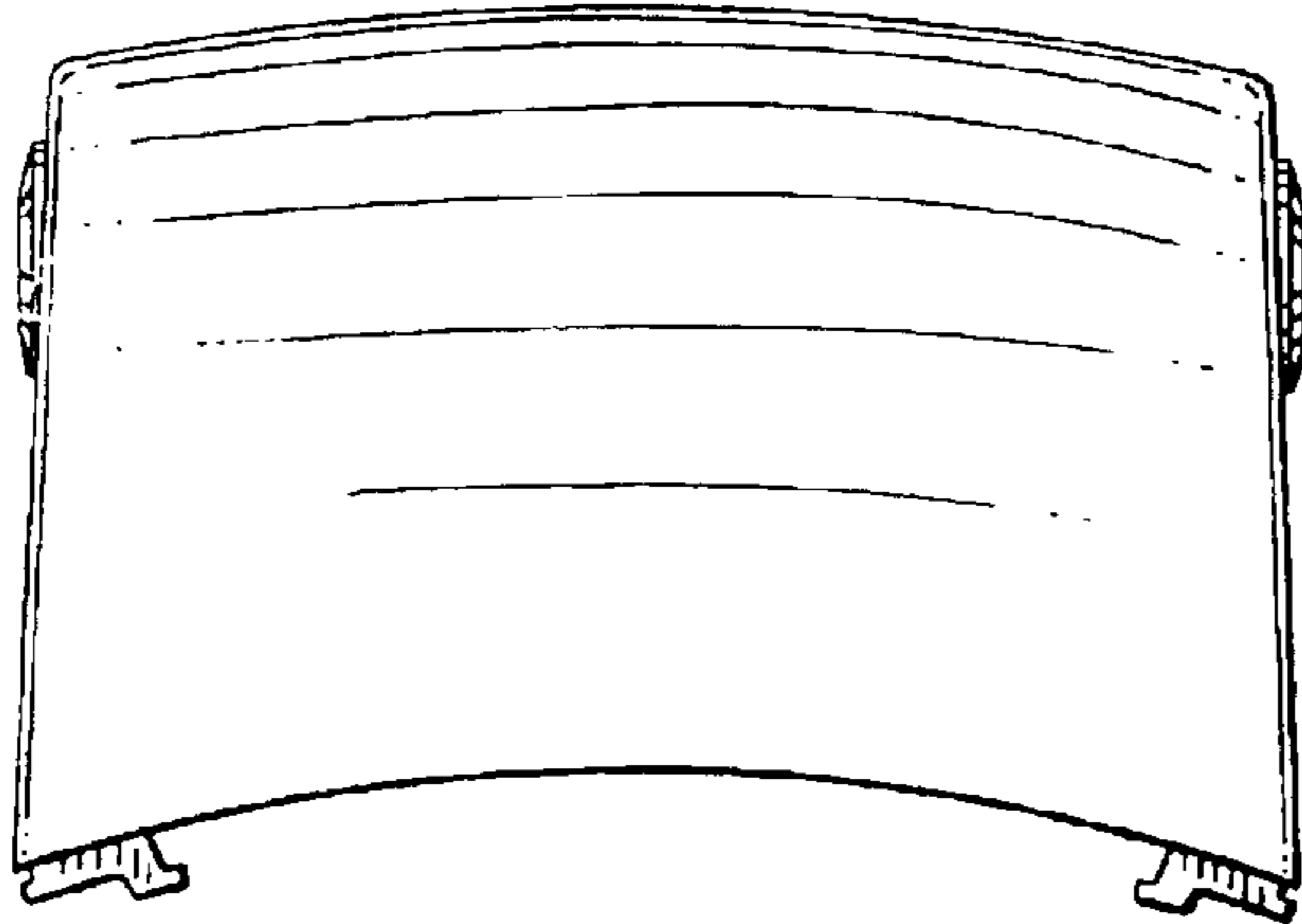


FIG. 1

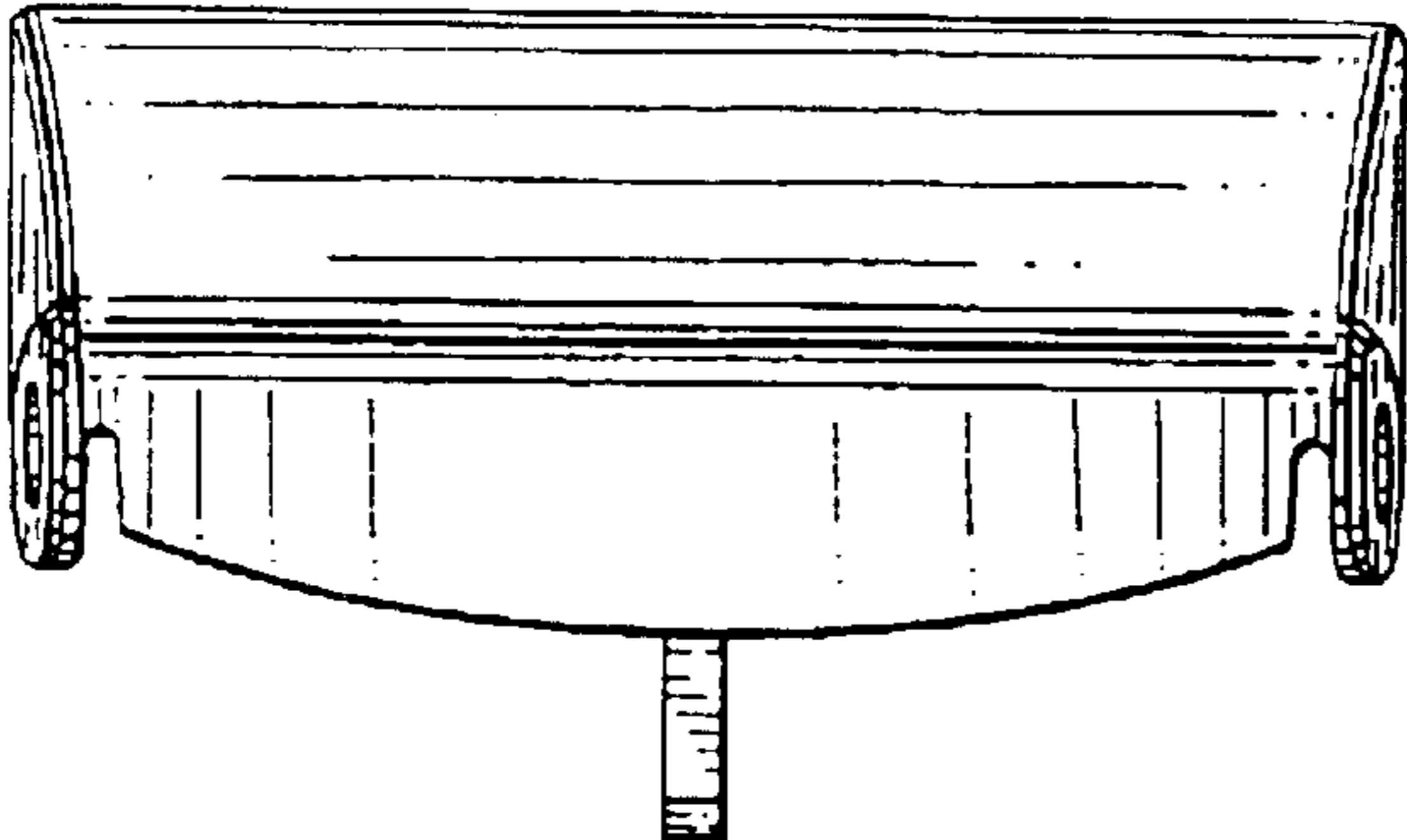


FIG. 2

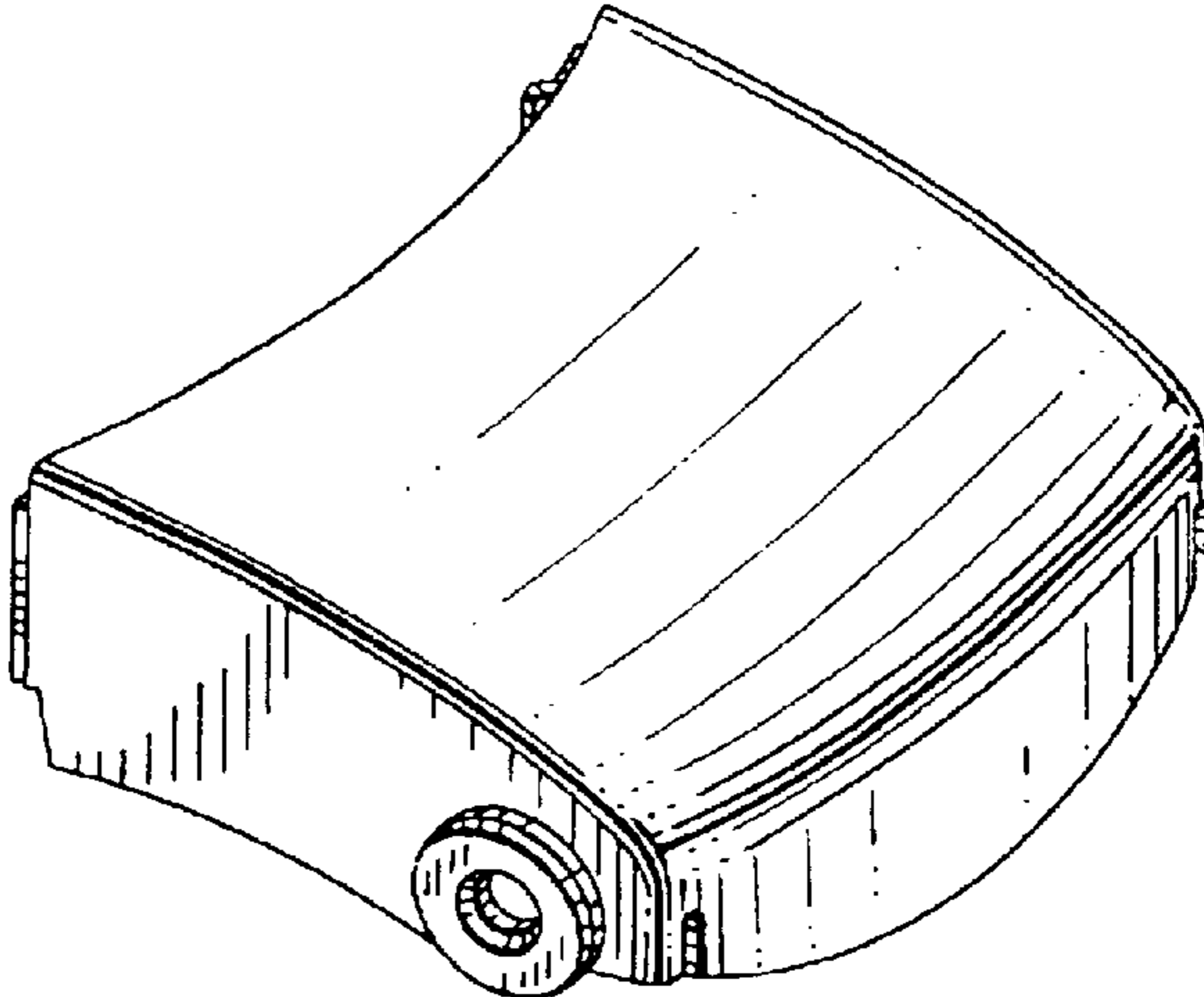


FIG. 3

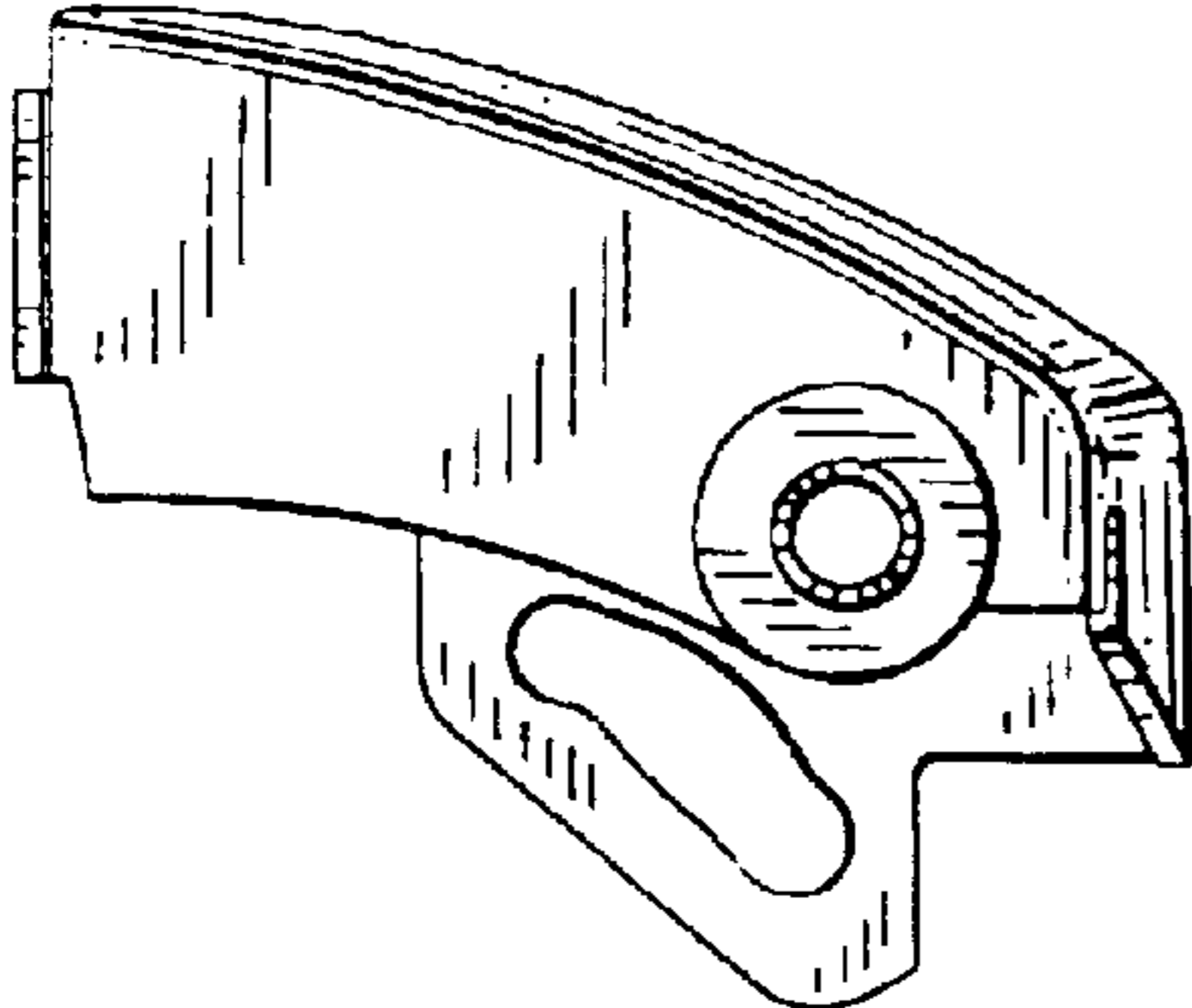


FIG. 4